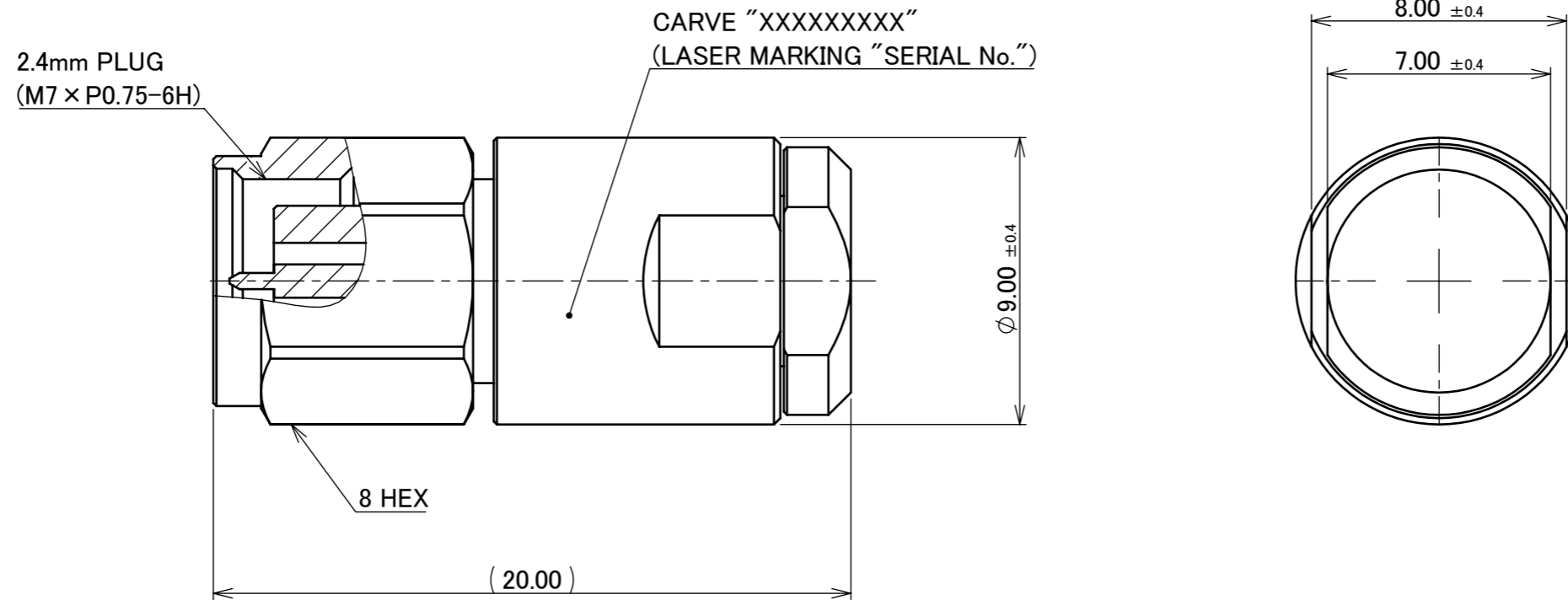


Recommended P/N 50205-0001

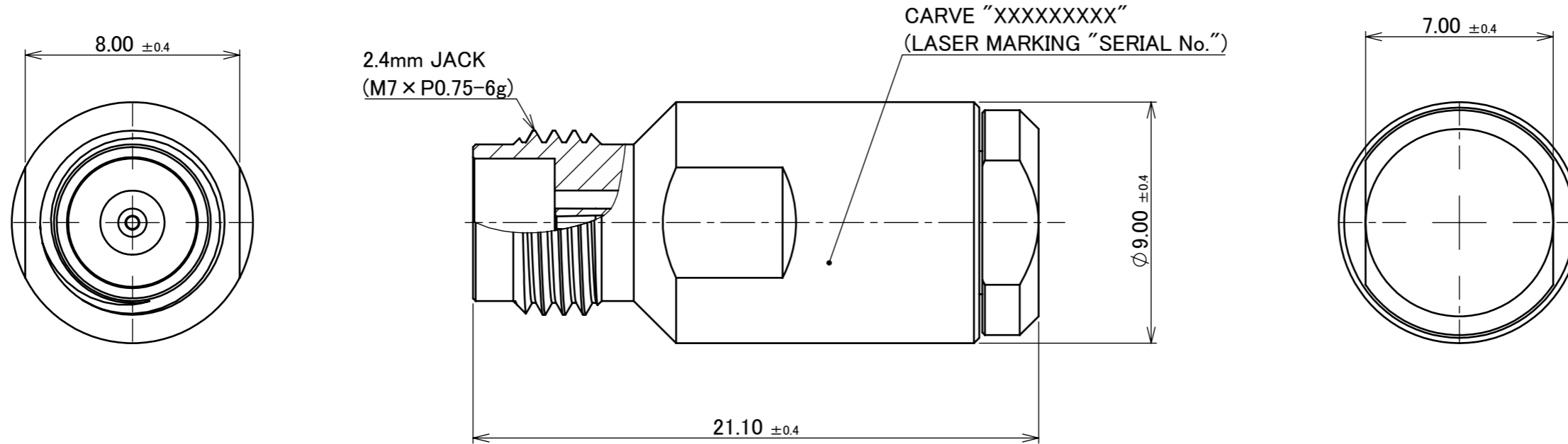
PART NO. 50205-0001	REMARK PLUG TYPE
------------------------	---------------------



11	NUT	SUS	PASSIVATED
10	BOLT	SUS	PASSIVATED
9	BODY	BRASS	Au OVER Ni OVER Cu
8	RESISTOR	-	-
7	BODY	SUS	PASSIVATED
6	INSULATOR	PEEK	BEIGE
5	CONTACT PIN	BERYLLIUM COPPER	Au OVER Ni OVER Cu
4	SHELL	SUS	PASSIVATED
3	GASKET	SILICONE	RED
2	C RING	BERYLLIUM COPPER	-
1	BODY	SUS	PASSIVATED
NO.	DESCRIPTION	MATERIAL	FINISH , REMARKS

ANGLE	±2°	6 OVER 30 MAX.	±0.3	PROJECTION ⊕	SERIES No. R0	CUSTOMER COPY		
	6 MAX.	±0.2	30 OVER 120 MAX.				±0.5	
GENERAL TOLERANCE.				TITLE 2.4mm RF CONNECTOR TERMINATION ADAPTER	SCALE 5:1	UNIT mm		
DWG.	K.Yufu		DATE 2021/05/07					
0	Z210473	Yufu	2021/05/07	CHK. -	TITLE 2.4mm RF CONNECTOR TERMINATION ADAPTER	SCALE 5:1	UNIT mm	I-PEX
REV.	ECN	BY	DATE	APP.				
REVISION RECORD				M.Takemoto	50205			

PART NO. 50205-J001	REMARK JACK TYPE
------------------------	---------------------



8	NUT	SUS	PASSIVATED
7	BOLT	SUS	PASSIVATED
6	BODY	BRASS	Au OVER Ni OVER Cu
5	BODY	SUS	PASSIVATED
4	INSULATOR	PEEK	BEIGE
3	RESISTOR	-	-
2	CONTACT PIN	BERYLLIUM COPPER	Au OVER Ni OVER Cu
1	BODY	SUS	PASSIVATED
NO.	DESCRIPTION	MATERIAL	FINISH , REMARKS

					ANGLE	±2°	6 OVER 30 MAX.	±0.3	PROJECTION ⊕	SERIES No. R0	CUSTOMER COPY
						6 MAX.	±0.2	30 OVER 120 MAX.			
					GENERAL TOLERANCE.				TITLE 2.4mm RF CONNECTOR TERMINATION ADAPTER	SCALE	I-PEX
					DWG.	DATE				5:1	
					CHK.					UNIT	mm
					APP.				SIZE	SHEET 2/3	
REV.	ECN	BY	DATE	APP.	APP.	DWG. No. 50205			A3		
REVISION RECORD											

ITEMS	SPECIFICATION	
PART No.	50205-0001	50205-J001
RATING FREQUENCY	DC~50GHz	
RETURN LOSS	-20dB MAX. AT DC~50 GHz	
DURABILITY	500 CYCLES	
PRODUCT SPECIFICATION	PRS-2710	
PACKING STANDARD	PST-21020	
APPEARANCE CRITERIA No.	QLS-A***	QLS-A***

ANGLE	±2°	6 OVER 30 MAX.	±0.3	PROJECTION 	SERIES No. R0	CUSTOMER COPY		
6 MAX.	±0.2	30 OVER 120 MAX.	±0.5					
GENERAL TOLERANCE.				TITLE 2.4mm RF CONNECTOR TERMINATION ADAPTER	SCALE	I-PEX		
DWG.	DATE				-			
CHK.					UNIT			
APP.					mm			
				DWG. No.	50205	SIZE	SHEET	REV.
					A3	3/3	0	