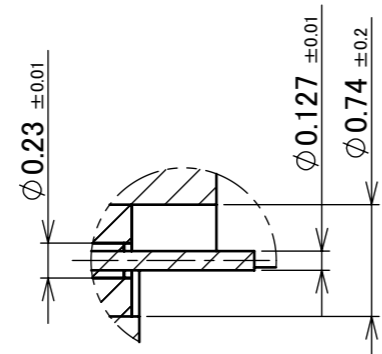


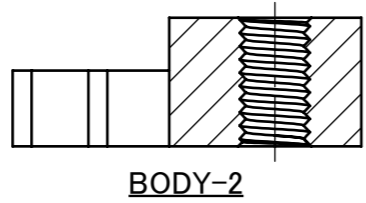
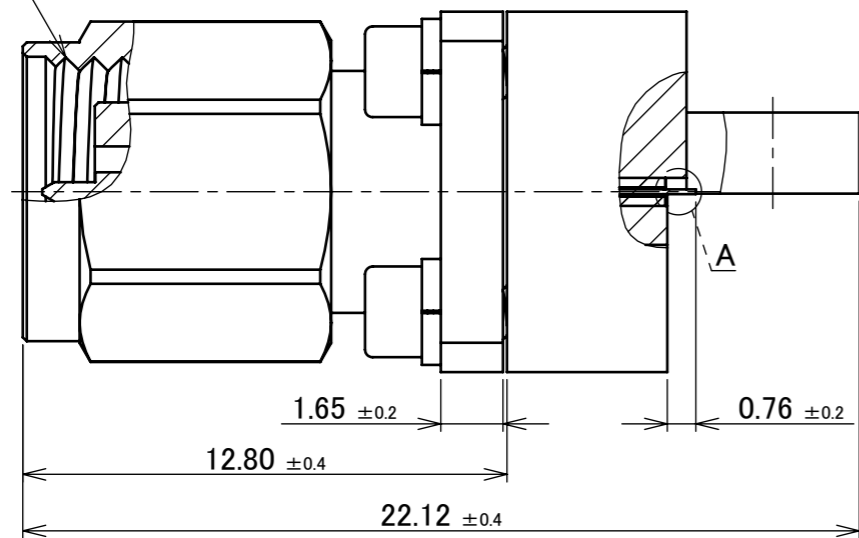
Recommended P/N 50202-0001

PART NO. 50202-0001	REMARK PLUG TYPE
------------------------	---------------------

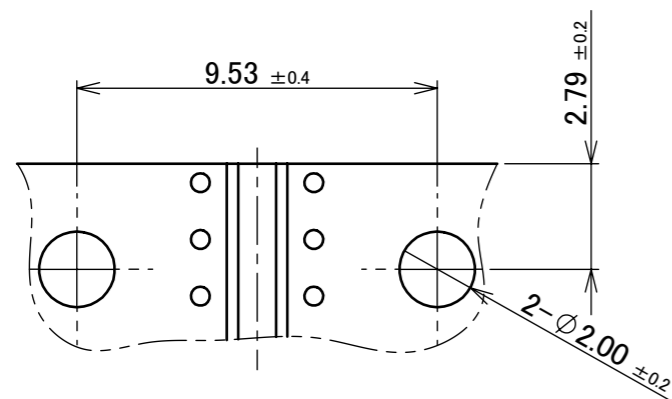


DETAIL A  
(S = 20 : 1)

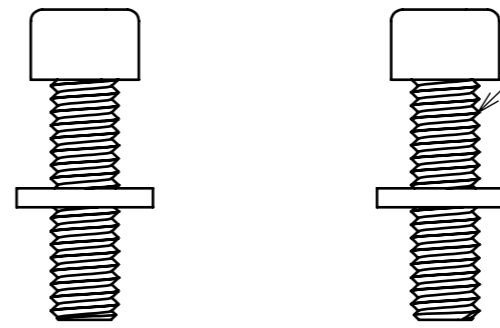
2.4mm PLUG  
(M7 × P0.5-6H)



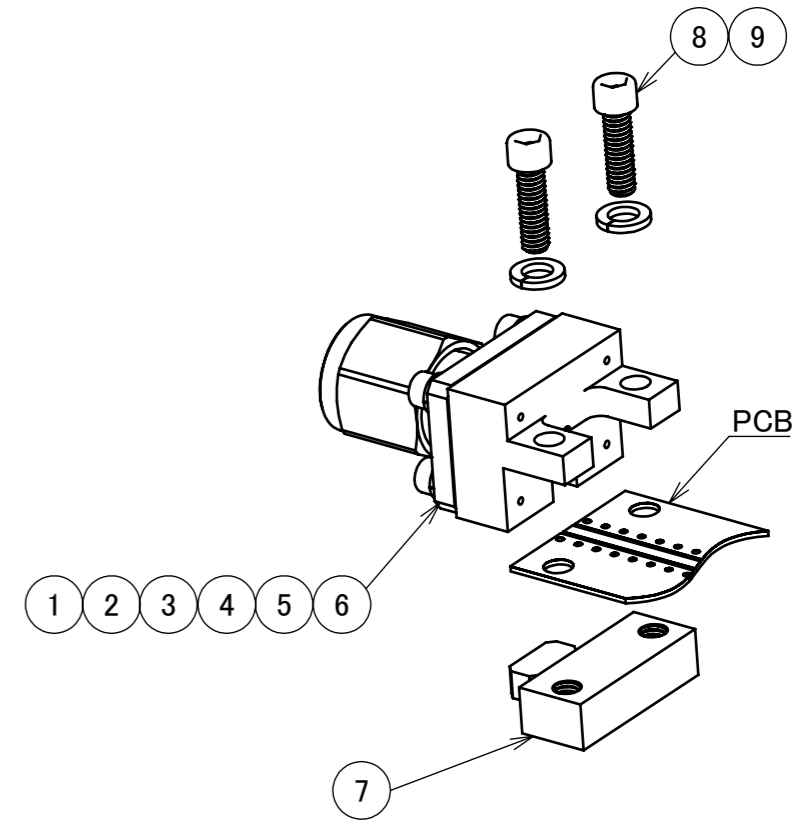
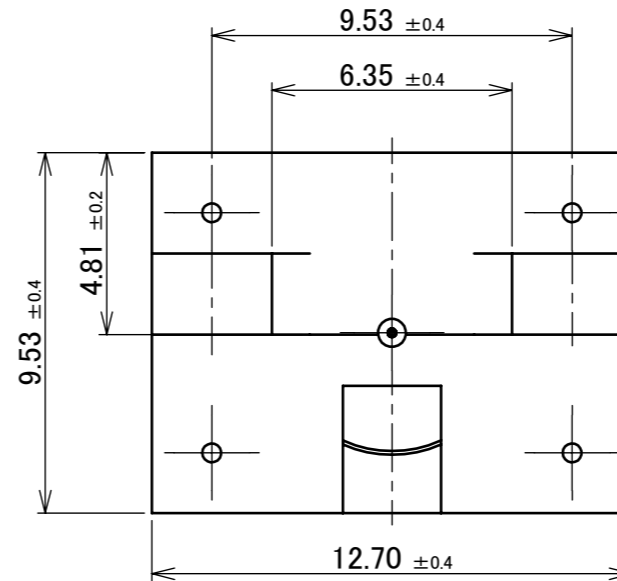
BODY-2



PCB LAYOUT



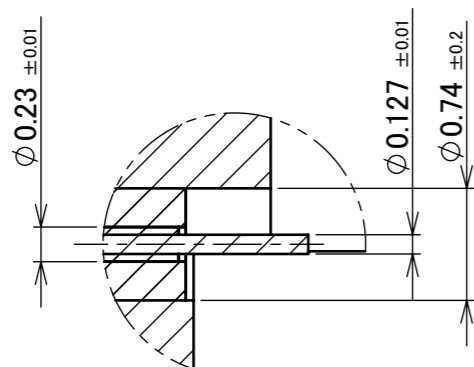
#1-72UNF X 1/4" L X2  
0.062" HEX SOCKET



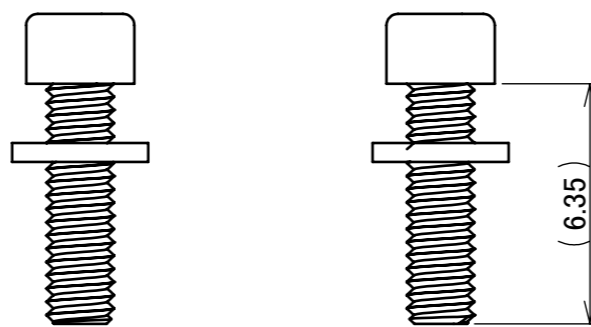
NO.	DESCRIPTION	MATERIAL	FINISH , REMARKS
9	BOLT	SUS	-
8	WASHER	SUS	-
7	BODY-2	BRASS	Ni OVER Cu
6	BOLT	SUS	-
5	WASHER	SUS	-
4	CONTACT PIN	BERYLLIUM COPPER	Au OVER Ni OVER Cu
3	INSULATOR	PTFE	WHITE
2	BODY-1	BRASS	Ni OVER Cu
1	CONNECTOR		-

					ANGLE	±2°	6 OVER 30 MAX.	±0.3	PROJECTION	SERIES No.	CUSTOMER COPY		
						6 MAX.	±0.2	30 OVER 120 MAX.	±0.5	R0			
					GENERAL TOLERANCE.				TITLE		SCALE	I-PEX	
					DWG.	K.Yufu		DATE	2021/05/07		5:1		
					CHK.					UNIT			
					REV.	ECN	BY	DATE	APP.	mm			
					REVISION RECORD				DWG. No.	50202	SIZE	SHEET	REV.
									M.Takemoto		A3	1/3	1

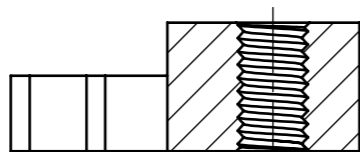
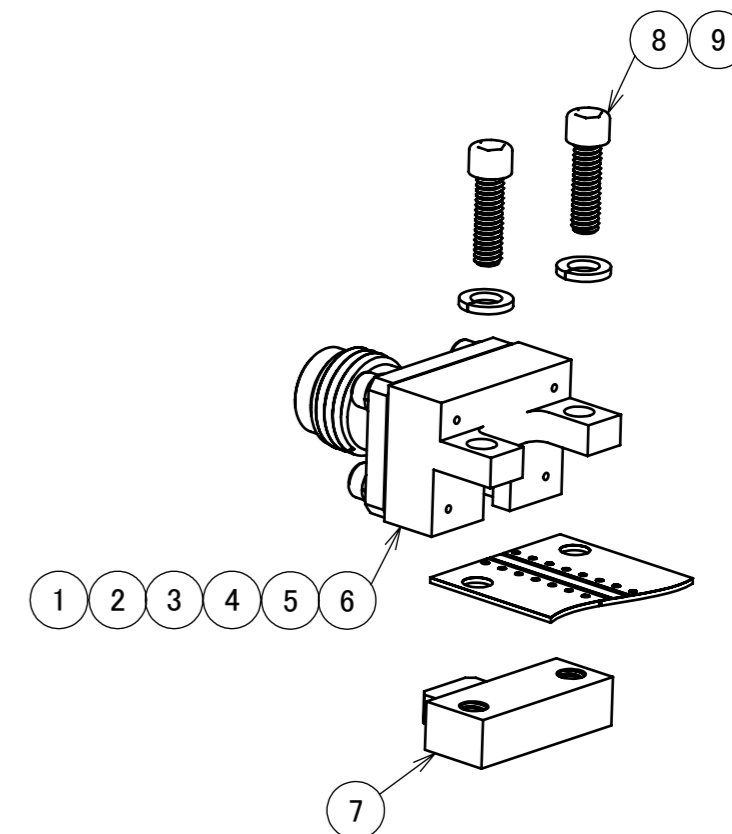
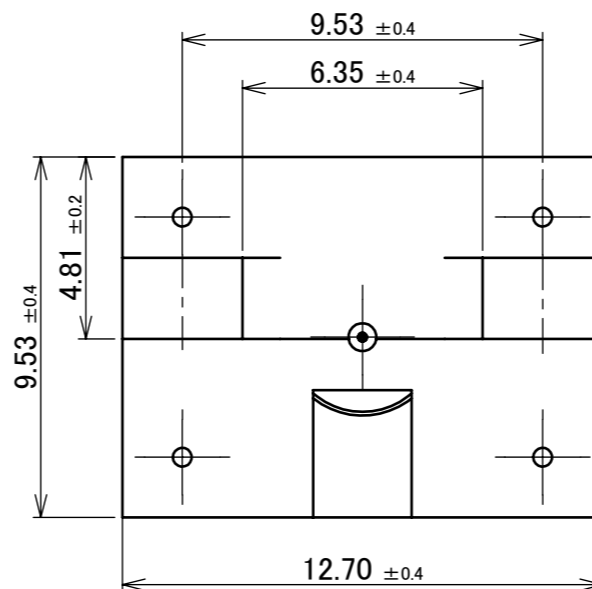
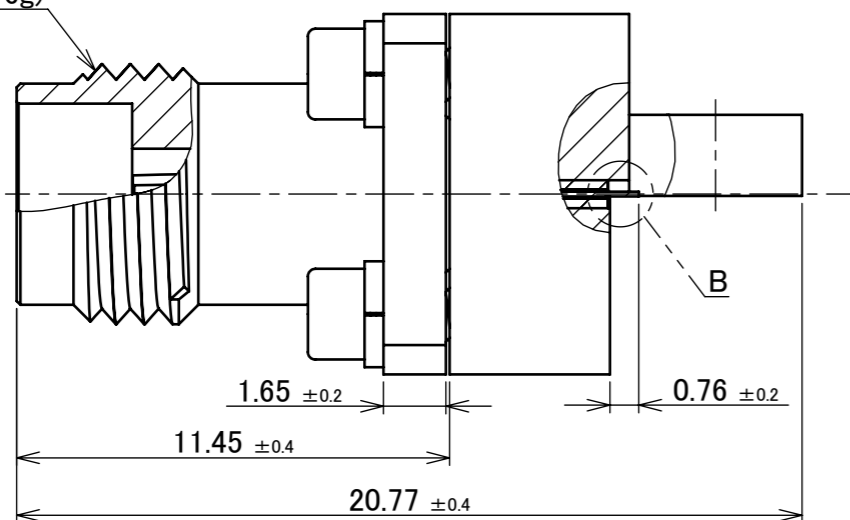
PART NO. 50202-J001	REMARK JACK TYPE
------------------------	---------------------



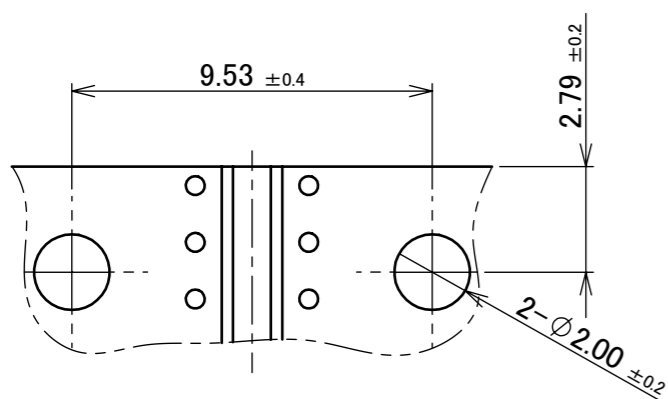
DETAIL B  
(S = 20 : 1)



2.4mm JACK  
(M7 × P0.5-6g)



BODY-2



PCB LAYOUT

NO.	DESCRIPTION	MATERIAL	FINISH , REMARKS
9	BOLT	SUS	-
8	WASHER	SUS	-
7	BODY-2	BRASS	Ni OVER Cu
6	BOLT	SUS	-
5	WASHER	SUS	-
4	CONTACT PIN	BERYLLIUM COPPER	Au OVER Ni OVER Cu
3	INSULATOR	PTFE	WHITE
2	BODY-1	BRASS	Ni OVER Cu
1	CONNECTOR		-

<table border="1"> <tr> <td>ANGLE</td> <td>±2°</td> <td>6 OVER 30 MAX.</td> <td>±0.3</td> </tr> <tr> <td></td> <td>6 MAX.</td> <td>±0.2</td> <td>30 OVER 120 MAX.</td> </tr> </table>					ANGLE	±2°	6 OVER 30 MAX.	±0.3		6 MAX.	±0.2	30 OVER 120 MAX.	PROJECTION 		SERIES No. R0		CUSTOMER COPY	
					ANGLE	±2°	6 OVER 30 MAX.	±0.3										
	6 MAX.	±0.2	30 OVER 120 MAX.															
GENERAL TOLERANCE.					TITLE 2.4mm RF CONNECTOR ENDLAUNCH ADAPTER FOR PCB		SCALE 5:1		UNIT mm									
DWG. DATE					DWG. No. 50202		SIZE A3		SHEET 2/3									
CHK.					REV. 1		APP.		REV. 1									
REVISION RECORD					DWG. No. 50202		SHEET 2/3		REV. 1									

ITEMS	SPECIFICATION	
PART No.	50202-0001	50202-J001
RATING FREQUENCY	DC~50GHz	
VSWR	1.5 MAX. AT DC~50GHz	
INNER CONTACT RESISTANCE	6.0mohm MAX.	
OUTER CONTACT RESISTANCE	2.5mohm MAX.	
INSULATION RESISTANCE	5000Mohm MIN	
DIELECTRIC WITHSTANDING VOLTAGE	AC500V 1min	
DURABILITY	500 CYCLES	
PRODUCT SPECIFICATION	PRS-2707	
PACKING STANDARD	PST-21020	
APPEARANCE CRITERIA No.	QLS-A***	QLS-A***

ANGLE	±2°	6 OVER 30 MAX.	±0.3	PROJECTION 	SERIES No. R0	CUSTOMER COPY		
6 MAX.	±0.2	30 OVER 120 MAX.	±0.5					
GENERAL TOLERANCE.				TITLE 2.4mm RF CONNECTOR ENDLAUNCH ADAPTER FOR PCB	SCALE -	<b>I-PEX</b>		
DWG.	DATE							
CHK.								
APP.								
				DWG. No.	50202	SIZE A3	SHEET 3/3	REV. 1