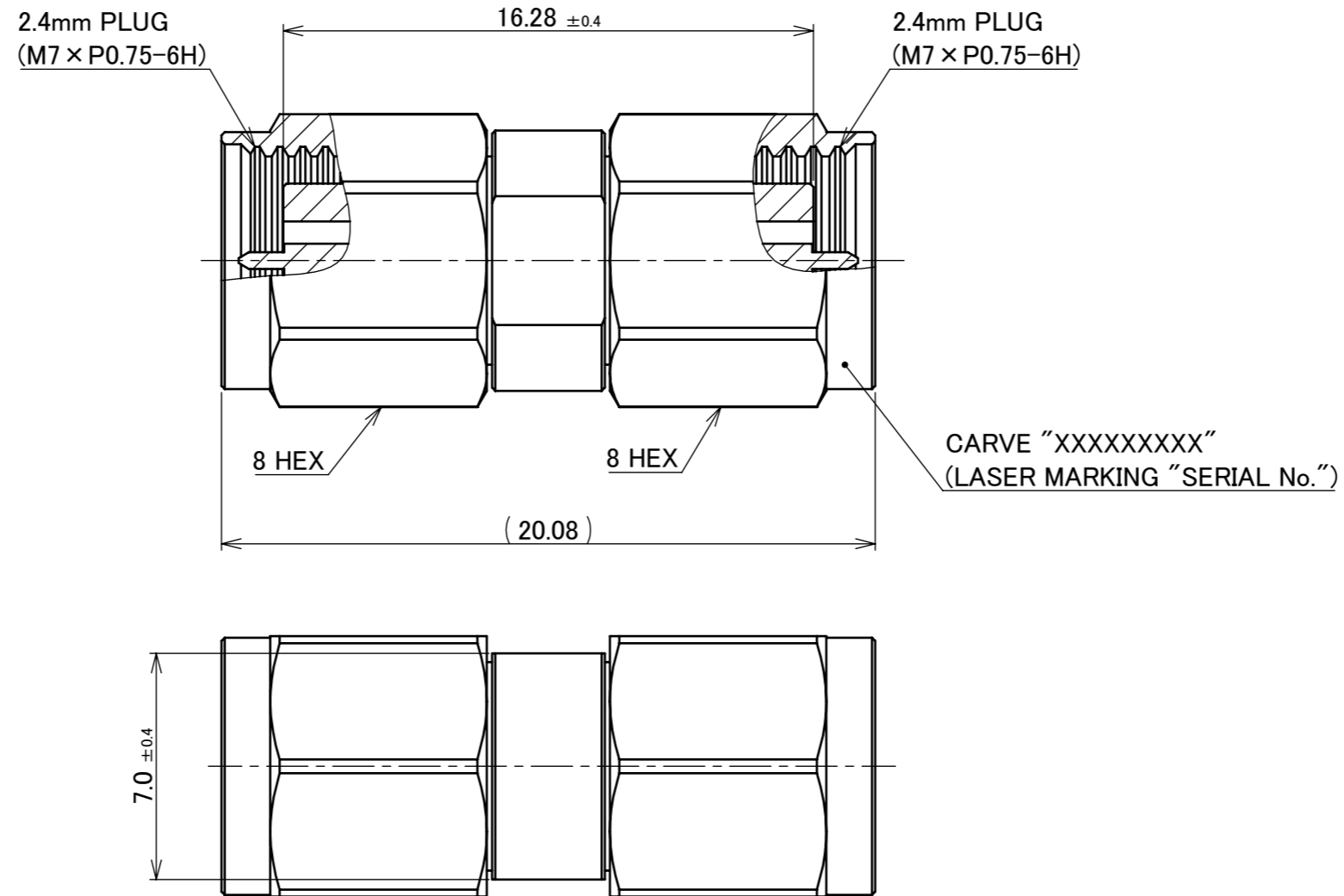


Recommended P/N 50201-0001

PART NO.	REMARK
50201-0001	PLUG TO PLUG TYPE



7	SHELL	SUS	PASSIVATED
6	C RING	BERYLLIUM COPPER	-
5	GASKET	SILICONE	RED
4	BODY	SUS	PASSIVATED
3	CONTACT PIN	BERYLLIUM COPPER	Au OVER Ni OVER Cu
2	INSULATOR	ULTEM 1000	AMBER
1	BODY	SUS	PASSIVATED
NO.	DESCRIPTION	MATERIAL	FINISH , REMARKS

ANGLE	±2°	6 OVER 30 MAX.	±0.3	PROJECTION ⊕	SERIES No. R0	CUSTOMER COPY		
	6 MAX.	±0.2	30 OVER 120 MAX.				±0.5	
GENERAL TOLERANCE.				TITLE 2.4mm RF CONNECTOR CONVERSION ADAPTER	SCALE 5:1	UNIT mm		
DWG.	K.Yufu		DATE				2021/05/07	
CHK.	-							
0	Z210473	Yufu	2021/05/07	APP.				
REV.	ECN	BY	DATE	APP.	DWG. No.	SIZE	SHEET	REV.
				M.Takemoto	50201	A3	1/4	0

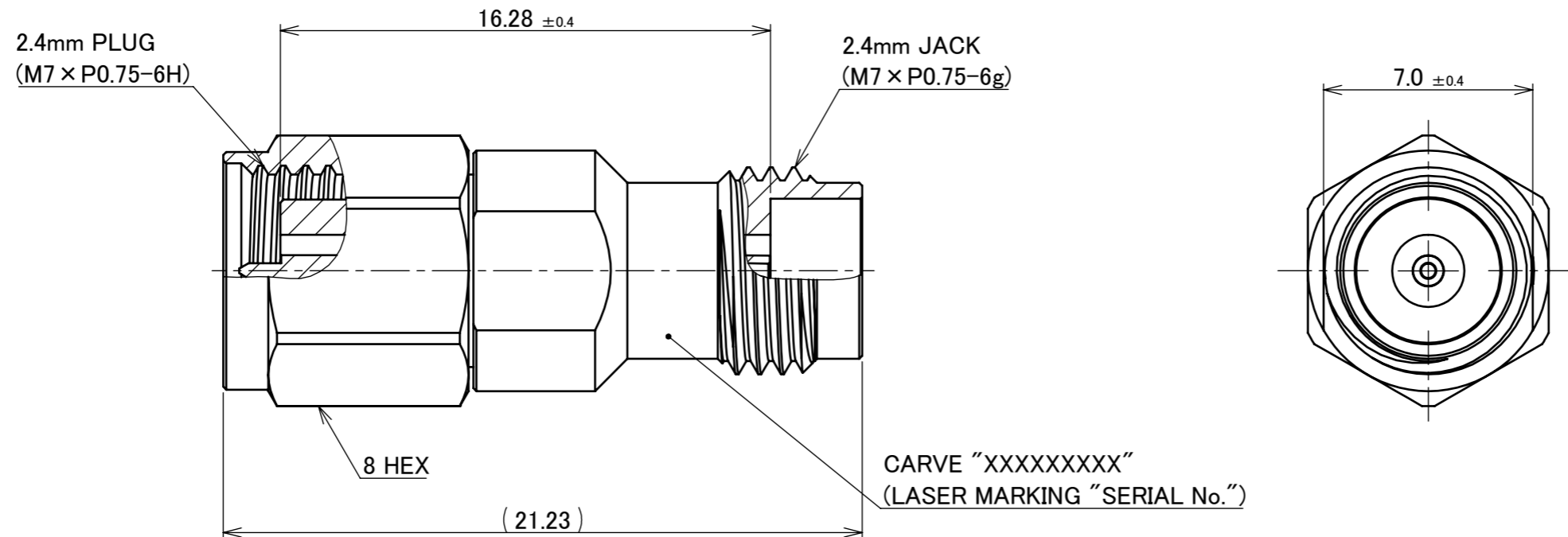
Confidential C

I-PEX Inc.

QKE-DFE06-02 REV.12

Recommended P/N 50201-0J01

PART NO. 50201-0J01	REMARK PLUG TO JACK TYPE
------------------------	-----------------------------

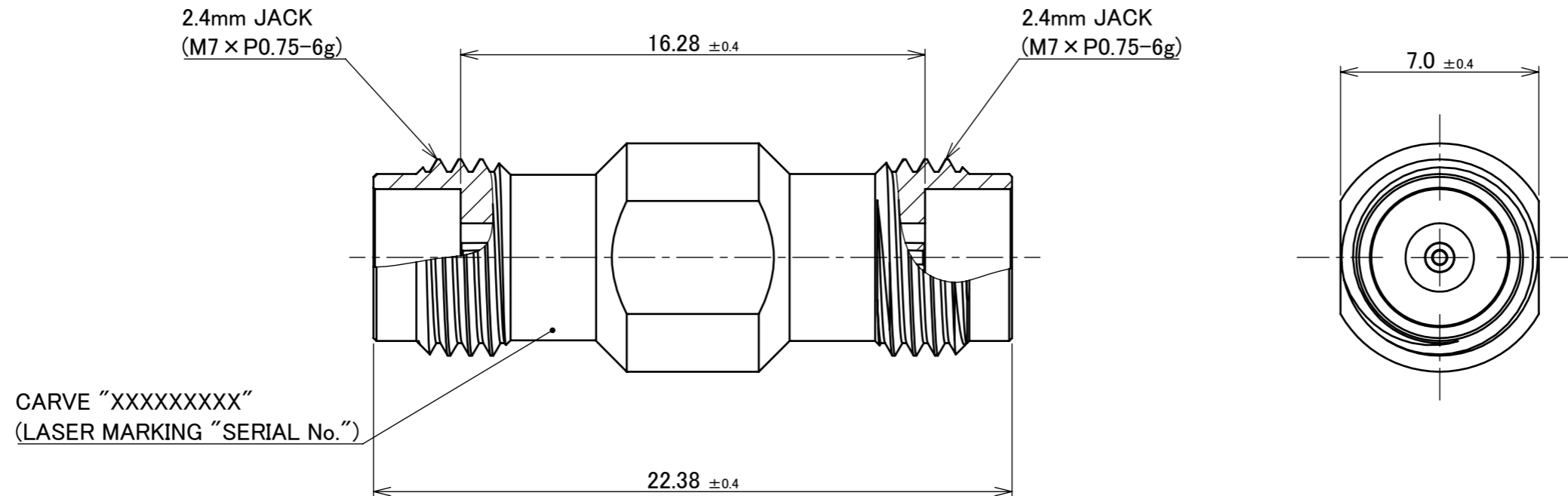


7	SHELL	SUS	PASSIVATED
6	C RING	BERYLLIUM COPPER	-
5	GASKET	SILICONE	RED
4	BODY	SUS	PASSIVATED
3	CONTACT PIN	BERYLLIUM COPPER	Au OVER Ni OVER Cu
2	INSULATOR	ULTEM 1000	AMBER
1	BODY	SUS	PASSIVATED
NO.	DESCRIPTION	MATERIAL	FINISH , REMARKS

					ANGLE	±2°	6 OVER 30 MAX.	±0.3	PROJECTION ⊕	SERIES No. R0	CUSTOMER COPY
						6 MAX.	±0.2	30 OVER 120 MAX.			
					GENERAL TOLERANCE.				TITLE 2.4mm RF CONNECTOR CONVERSION ADAPTER	SCALE	I-PEX
					DWG.	DATE				5:1	
					CHK.					UNIT	mm
					APP.				SIZE	SHEET 2/4	
REV.	ECN	BY	DATE	APP.	APP.	DWG. No. 50201			A3		
REVISION RECORD											

Recommended P/N 50201-JJ01

PART NO.	REMARK
50201-JJ01	JACK TO JACK TYPE



4	BODY	SUS	PASSIVATED
3	CONTACT PIN	BERYLLIUM COPPER	Au OVER Ni OVER Cu
2	INSULATOR	ULTEM 1000	AMBER
1	BODY	SUS	PASSIVATED
NO.	DESCRIPTION	MATERIAL	FINISH , REMARKS

					ANGLE	±2°	6 OVER 30 MAX.	±0.3	PROJECTION	SERIES No.	CUSTOMER COPY		
						6 MAX.	±0.2	30 OVER 120 MAX.	±0.5	R0			
					GENERAL TOLERANCE.				TITLE	SCALE	I-PEX		
					DWG.	DATE			2.4mm RF CONNECTOR CONVERSION ADAPTER	5:1			
					CHK.					UNIT			
					APP.				DWG. No.	mm			
REV.	ECN	BY	DATE	APP.	REVISION RECORD				50201	SIZE	SHEET	REV.	
										A3	3/4	0	

Confidential C

I-PEX Inc.

QKE-DFFDE06-02 REV.12

ITEMS	SPECIFICATION		
	PART No.	50201-0001	50201-0J01
RATING FREQUENCY	DC~50 GHz		
VSWR	1.2 MAX. AT DC~50 GHz		
INNER CONTACT RESISTANCE	4.0mohm MAX.		
OUTER CONTACT RESISTANCE	2.5mohm MAX.		
INSULATION RESISTANCE	5000 Mohm MIN.		
DIELECTRIC WITHSTANDING VOLTAGE	AC 500 Vrms MIN. 1min		
DURABILITY	500 CYCLES		
PRODUCT SPECIFICATION	PRS-2706		
PACKING STANDARD	PST-21020		
APPEARANCE CRITERIA No.	QLS-A***	QLS-A***	QLS-A***

ANGLE	±2°	6 OVER 30 MAX.	±0.3	PROJECTION 	SERIES No. R0	CUSTOMER COPY		
6 MAX.	±0.2	30 OVER 120 MAX.	±0.5					
GENERAL TOLERANCE.				TITLE 2.4mm RF CONNECTOR CONVERSION ADAPTER	SCALE	<b>I-PEX</b>		
DWG.	DATE				-			
CHK.					UNIT			
APP.					mm			
				DWG. No.	50201	SIZE	SHEET	REV.
						A3	4/4	0