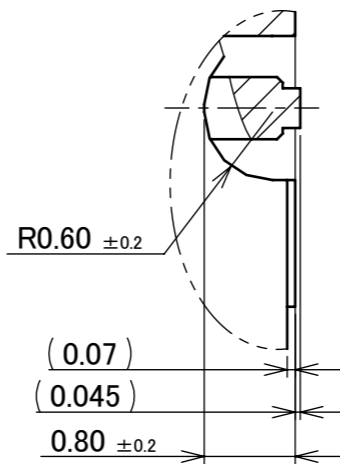
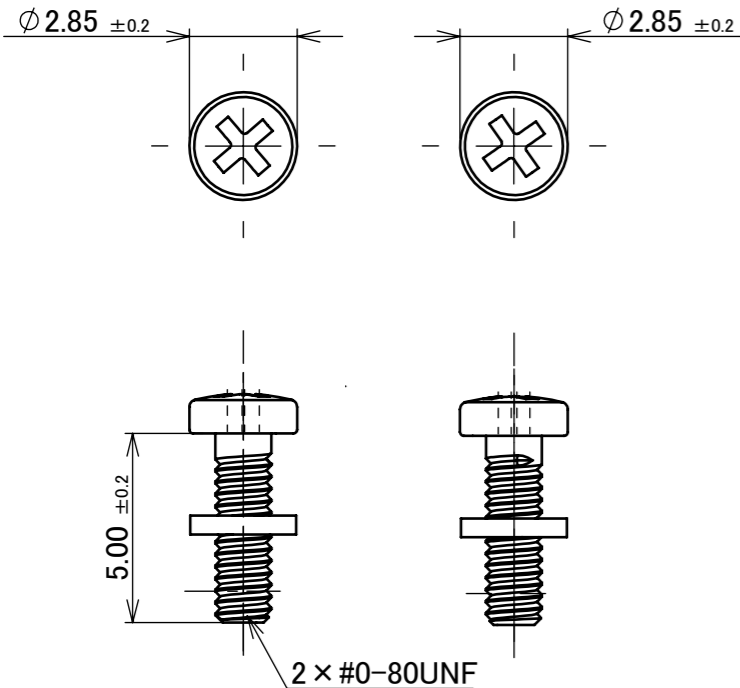
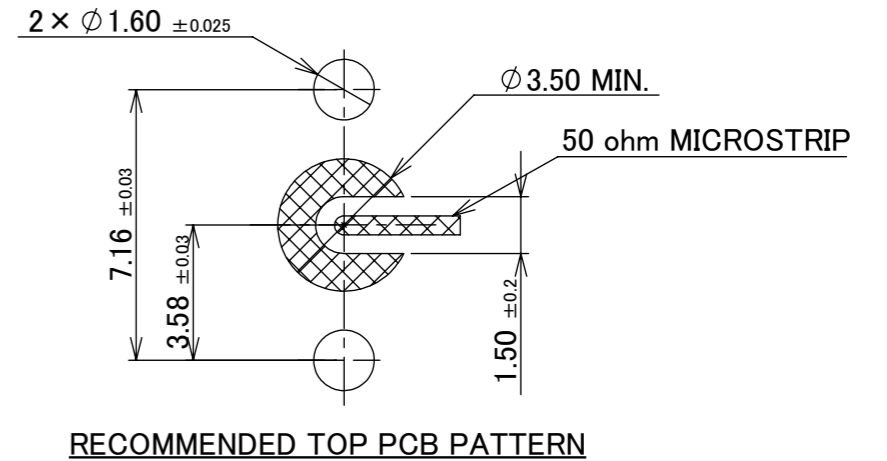
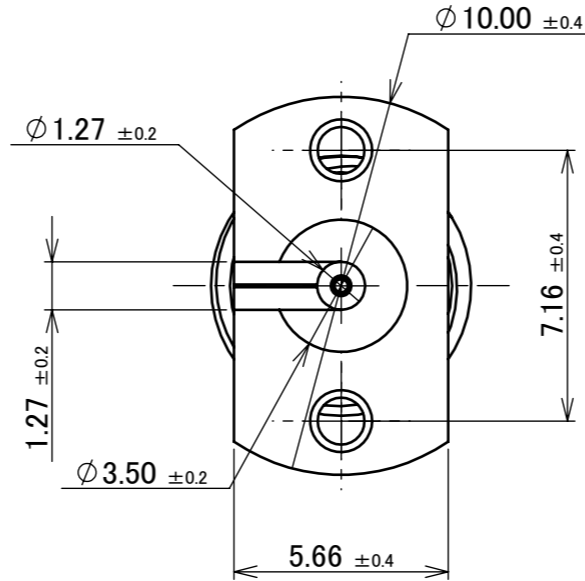
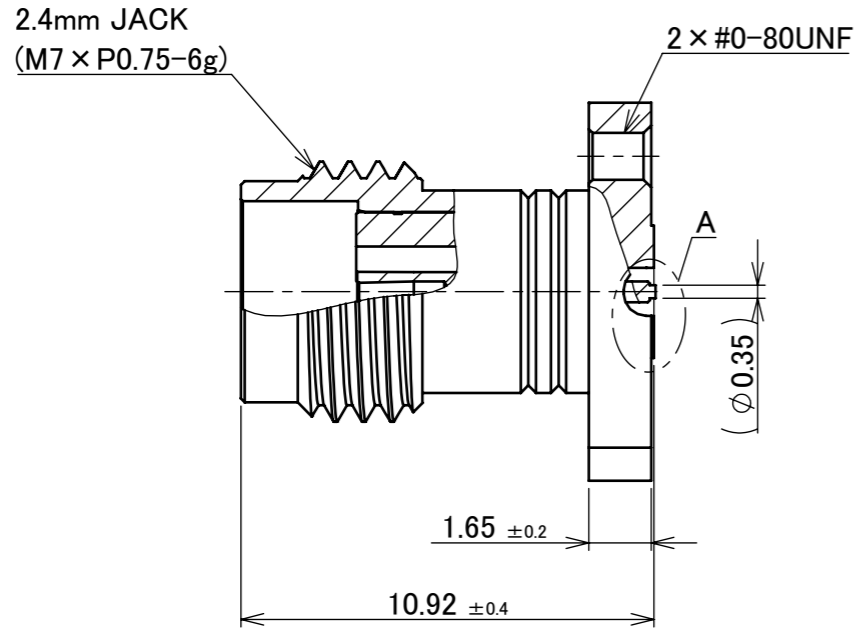


Recommended P/N 50204-J001

PART NO. 50204-J001	REMARK OUTER LAYER TYPE
------------------------	----------------------------



DETAIL A
(S = 15 : 1)

NO.	DESCRIPTION	MATERIAL	FINISH , REMARKS
6	BOLT	SUS	-
5	WASHER	SUS	-
4	LOCK RING	BRASS COPPER	Ni OVER Cu
3	INSULATOR	ULTEM 1000	AMBER
2	CONTACT PIN	BERYLLIUM COPPER	Au OVER Ni OVER Cu
1	BODY	SUS	PASSIVATED

REVISION RECORD					ANGLE $\pm 2^\circ$ 6 OVER 30 MAX. ± 0.3 6 MAX. ± 0.2 30 OVER 120 MAX. ± 0.5	PROJECTION 	SERIES No. R0	CUSTOMER COPY	
					GENERAL TOLERANCE.		TITLE 2.4mm RF CONNECTOR ADAPTER FOR PCB (OUTER LAYER)	SCALE	
					DWG. K.Yufu	DATE 2021/05/07		5:1	
0	Z210473	Yufu	2021/05/07	APP.			UNIT	mm	
REV.	ECN	BY	DATE	APP.	M.Takemoto	DWG. No. 50204	SIZE		SHEET
							A3	1/2	REV. 0

ITEMS	SPECIFICATION
RATING FREQUENCY	DC~50 GHz
VSWR	1.5 MAX. AT DC~50 GHz
INNER CONTACT RESISTANCE	4.0mohm MAX.
OUTER CONTACT RESISTANCE	2.5mohm MAX.
INSULATION RESISTANCE	5000 Mohm MIN.
DIELECTRIC WITHSTANDING VOLTAGE	AC 500 Vrms MIN. 1min
DURABILITY	500 CYCLES
PRODUCT SPECIFICATION	PRS-2709
PACKING STANDARD	PST-21020
APPEARANCE CRITERIA No.	QLS-A***

ANGLE	±2°	6 OVER 30 MAX.	±0.3	PROJECTION 	SERIES No. R0	CUSTOMER COPY		
6 MAX.	±0.2	30 OVER 120 MAX.	±0.5					
GENERAL TOLERANCE.				TITLE 2.4mm RF CONNECTOR ADAPTER FOR PCB (OUTER LAYER)	SCALE	I-PEX		
DWG.	DATE				-			
CHK.					UNIT			
APP.					mm			
				DWG. No.	50204	SIZE	SHEET	REV.
						A3	2/2	0