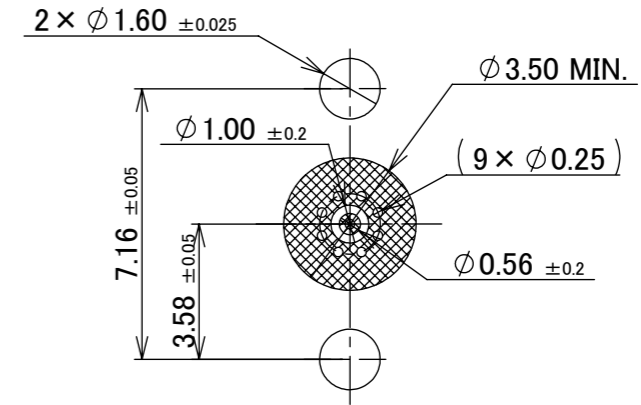
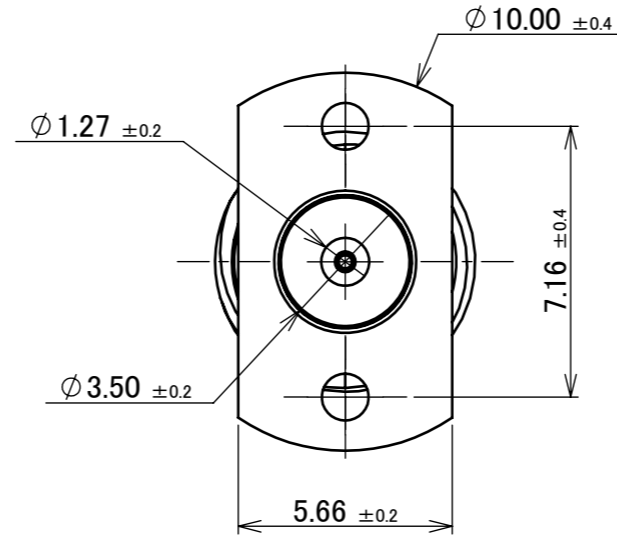
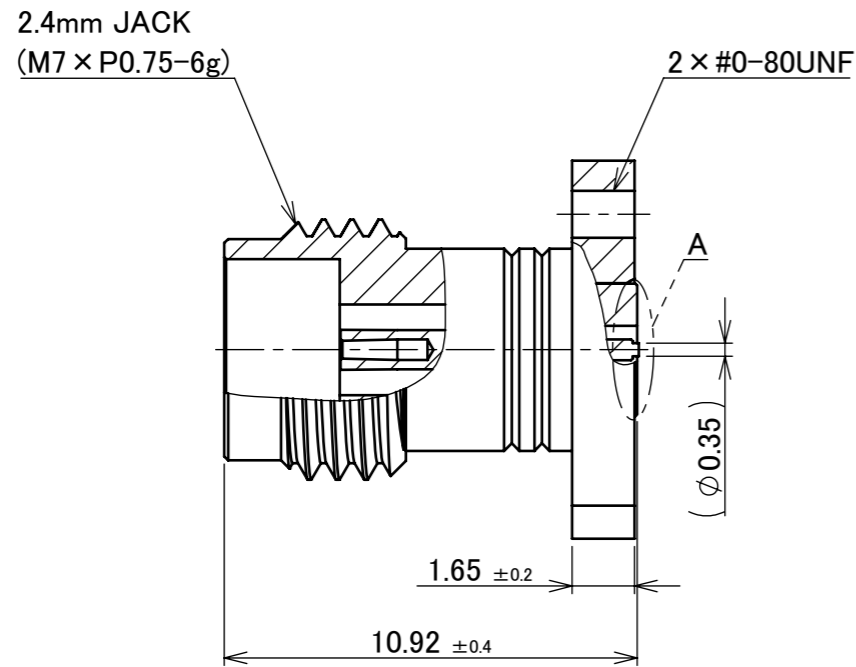
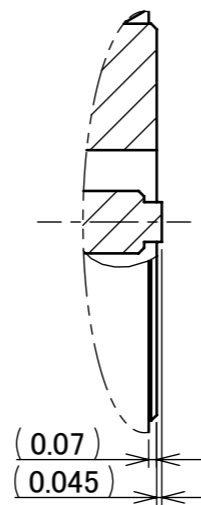
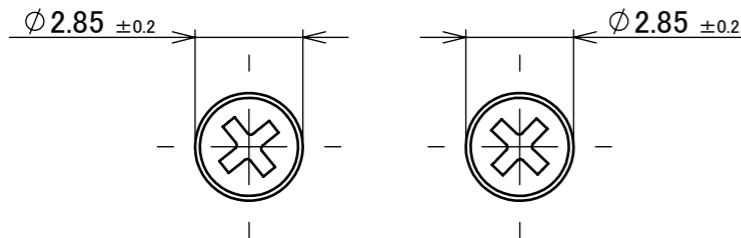


Recommended P/N 50203-J001

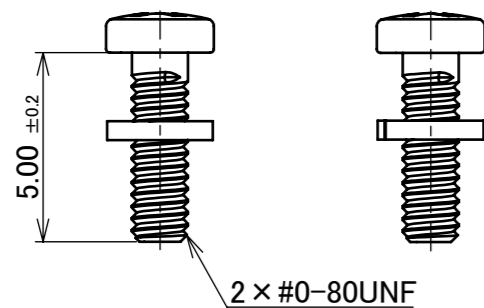
|                        |                            |
|------------------------|----------------------------|
| PART NO.<br>50203-J001 | REMARK<br>INNER LAYER TYPE |
|------------------------|----------------------------|



RECOMMENDED TOP PCB PATTERN  
PCB: R04003C 8mil



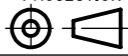
DETAIL A  
(S = 15 : 1)



| 6   | BOLT        | SUS              | -                  |
|-----|-------------|------------------|--------------------|
| 5   | WASHER      | SUS              | -                  |
| 4   | BODY        | SUS              | PASSIVATED         |
| 3   | INSULATOR   | ULTEM 1000       | AMBER              |
| 2   | CONTACT PIN | BERYLLIUM COPPER | Au OVER Ni OVER Cu |
| 1   | LOCK RING   | BRASS            | Ni OVER Cu         |
| NO. | DESCRIPTION | MATERIAL         | FINISH , REMARKS   |

|                           |     |    |      |      |   |   |                            |               |      |
|---------------------------|-----|----|------|------|---|---|----------------------------|---------------|------|
| REVISION RECORD           |     |    |      |      | ANGLE $\pm 2^\circ$ 6 OVER 30 MAX. $\pm 0.3$<br>6 MAX. $\pm 0.2$ 30 OVER 120 MAX. $\pm 0.5$ | PROJECTION<br>  | SERIES No.<br>R0           | CUSTOMER COPY |      |
| 0 Z210473 Yufu 2021/05/07 |     |    |      |      | GENERAL TOLERANCE.<br>DWG. K.Yufu DATE 2021/05/07<br>CHK. -<br>APP. M.Takemoto              | TITLE<br>2.4mm RF CONNECTOR<br>ADAPTER FOR PCB<br>(INNER LAYER) | SCALE<br>5:1<br>UNIT<br>mm |               |      |
| REV.                      | ECN | BY | DATE | APP. | DWG. No.  | 50203   | SIZE                       | SHEET         | REV. |
|                           |     |    |      |      |   |   | A3                         | 1/2           | 0    |

| ITEMS                           | SPECIFICATION         |
|---------------------------------|-----------------------|
| RATING FREQUENCY                | DC~50 GHz             |
| VSWR                            | 1.5 MAX. AT DC~50 GHz |
| INNER CONTACT RESISTANCE        | 4.0mohm MAX.          |
| OUTER CONTACT RESISTANCE        | 2.5mohm MAX.          |
| INSULATION RESISTANCE           | 5000 Mohm MIN.        |
| DIELECTRIC WITHSTANDING VOLTAGE | AC 500 Vrms MIN. 1min |
| DURABILITY                      | 500 CYCLES            |
| PRODUCT SPECIFICATION           | PRS-2708              |
| PACKING STANDARD                | PST-21020             |
| APPEARANCE CRITERIA No.         | QLS-A***              |

|                    |      |                  |      |   |                  |               |       |      |
|--------------------|------|------------------|------|---|------------------|---------------|-------|------|
| ANGLE              | ±2°  | 6 OVER 30 MAX.   | ±0.3 | PROJECTION<br> | SERIES No.<br>R0 | CUSTOMER COPY |       |      |
| 6 MAX.             | ±0.2 | 30 OVER 120 MAX. | ±0.5 |   |                  |               |       |      |
| GENERAL TOLERANCE. |      |                  |      | TITLE<br>2.4mm RF CONNECTOR<br>ADAPTER FOR PCB<br>(INNER LAYER)                                     | SCALE            | <b>I-PEX</b>  |       |      |
| DWG.               | DATE |                  |      |   | -                |               |       |      |
| CHK.               |      |                  |      |   | UNIT             |               |       |      |
| APP.               |      |                  |      |   | mm               |               |       |      |
|                    |      |                  |      | DWG. No.  | 50203            | SIZE          | SHEET | REV. |
|                    |      |                  |      |   |                  | A3            | 2/2   | 0    |