

IARPB[®] CONNECTOR TERMINAL

Packing Standard

3	RS0738	Oct. 22/'20	T.Hoshino	M.Muta	J.Tateishi
2	RS0519	Aug. 22/'18	Y.Takagi		E.Kawabe
1	RS0453	Jan. 12/'18	Y.Takagi	E.Kawabe	T.Endo
0	RS0398	Oct. 13/'17	Y.Takagi	E.Kawabe	T.Endo
Rev.	ECN	Date	Prepared by	Checked by	Approved by

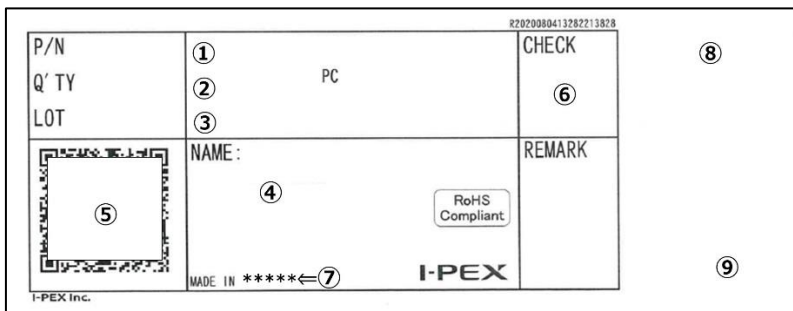
1. Product name(s) and part number(s)

Product name	Part number
IARPB CONNECTOR TERMINAL	V0039-71001-011

2. Packing material and quantity

Part number	Reel		Separating paper	Packing carton	Pieces per reel	Quantity per packing carton
	Diameter	Width	Width	Outer dimension	[pin]	[pin]
	[mm]	[mm]	[mm]	(W×D×H) [mm]		
V0039-71001-011	610	22	20	630 x 620 x 170	14,000	14,000 × 4 reel = 56,000

3. Label



- ① Part number
- ② Quantity
- ③ Product lot number

Y	Y	M	M	D	D	#	#	#	#
Year		Month		Day		Note 1			

Note 1: Code for plant usage.

- ④ Product name
- ⑤ QR code
- ⑥ Check stamp
- ⑦ Country of origin
- ⑧ Recycle mark and compliance mark
- ⑨ Reel number

※Number of joints must be indicated on the label (for reel).

The joints are 2 max per reel.

Indicate "JOINT" in REMARK section.

4. Packing method

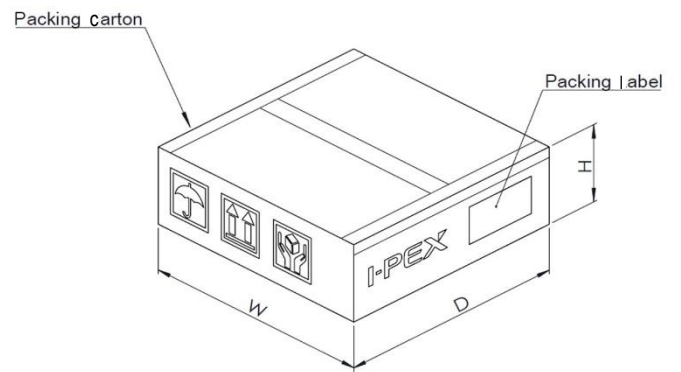
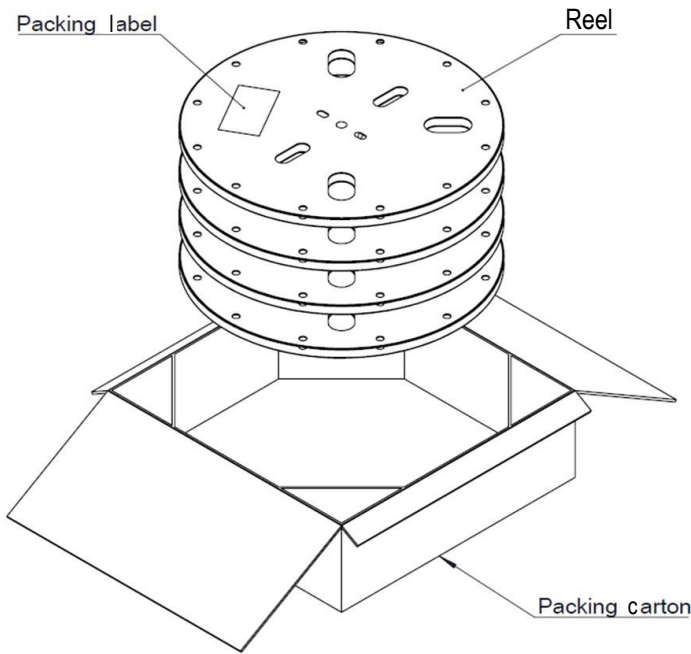
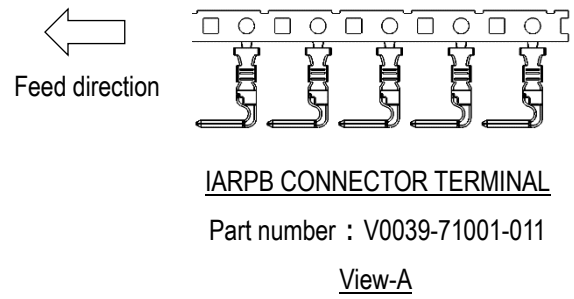
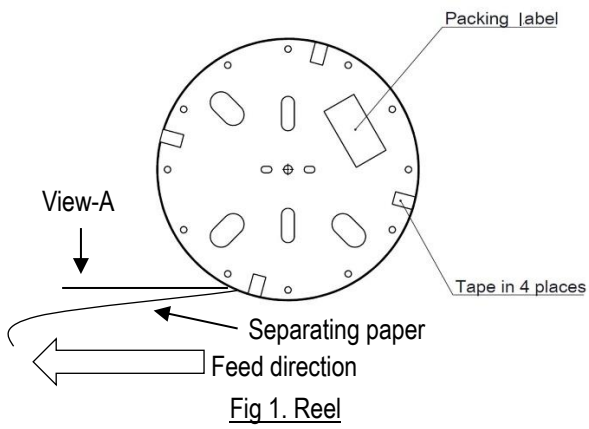


Fig 2. Packing style