

PACKING STANDARD

梱包規格

CABLINE-VSF SHELL

No. PST-13043

| | | | | | | | |
|-----------------|--------|-----|-------------|------|----------------------|-------------|-------------|
| | | | | | CUSTOMER COPY | | |
| | | | | | Prepared by | Reviewed by | Approved by |
| 1 | S14456 | H.A | Nov./07/'14 | E.K | H.Aoki | J.Tateishi | E.Kawabe |
| 0 | S13385 | H.A | Oct./04/'13 | | | | |
| REV. | ECN | BY | DATE | APP. | Oct./04/'13 | Oct./07/'13 | Oct./08/'13 |
| REVISION RECORD | | | | | | | |

| | | |
|---|--------------------------------|----------------------|
| DOCUMENT CLASSIFICATION PACKING STANDARD 梱包規格 | TITLE CABLINE-VSF SHELL | No. PST-13043 |
| | | CUSTOMER COPY |

1. 製品名称 (NAME) : CABLINE-VSF SHELL

製品番号 (ITEM) : 3049-0401

2. 梱包材料 (PACKING MATERIAL)

| 芯数 (POS.) | リール径 (DIAMETER) | リール幅 (REEL WIDTH) | リール P/N (REEL P/N) | 外装カートン (PACKING CARTON) P/N 950000 |
|--------------|--------------------|----------------------|-----------------------|--|
| 30P | φ 380 | 49.0 | 950229-002 | 406×406×214 OUTER |
| 40P | φ 380 | 54.0 | 950229-003 | |

3. 梱包数量 (PACKING QTY.)



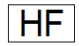


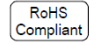

| 芯数 (POS.) | リール本数 (REEL QTY.) | 入数[リール 1 本あたり] (QTY.[1 REEL]) | 外装カートン入数 (QTY. IN PACKING CARTON) |
|--------------|----------------------|----------------------------------|--------------------------------------|
| 30P | 3 本(REELS) | 5000 | 5000×3=15000 |
| 40P | | | |

| | | |
|---|--------------------------------|----------------------|
| DOCUMENT CLASSIFICATION PACKING STANDARD 梱包規格 | TITLE CABLINE-VSF SHELL | No. PST-13043 |
| | | CUSTOMER COPY |

4. 現品票 (LABEL)

- 4-1 現品票は、各 REEL、P CARTON へ貼付する。
- 4-2 現品票(ラベル)の記入事項は、下記に従う。

- 4-1 Put a label on each reels and P CARTON.
- 4-2 Items of label are shown as below.

| | | | |
|---|---|--------|--|
| 20090909011300-00001 | | | 梱包巻盤  WPP 層間紙  WPP  |
| P/N | ① | CHECK | |
| QTY | ② | ⑤ | |
| LOT | ③ | | |
|  | NAME: ④ | REMARK | |
| | MADE IN  ⑥   | | |
| DAI-ICHI SEIKO CO., LTD. | | | |

- ①・・・ Part number : Ex. 3049-0401
- ②・・・ QTY.
- ③・・・ Products lot No.

It is constituted from ten figures.(See below.)

 N N N N N N N N N N
 A B C D

- A: Last two figures of the Christian era (two figures)
- B: Month (two figures)
- C: Day (two figures)
- D: It is code No that DAI-ICHI SEIKO uses. (four figures)

Example: 130929H010

It means that the Product was manufactured on Sep./29/2013.

- ④・・・ Item : Ex. CABLINE-VSF SHELL
- ⑤・・・ Check stamp
- ⑥・・・ Production country
- ⑦・・・ QR Code

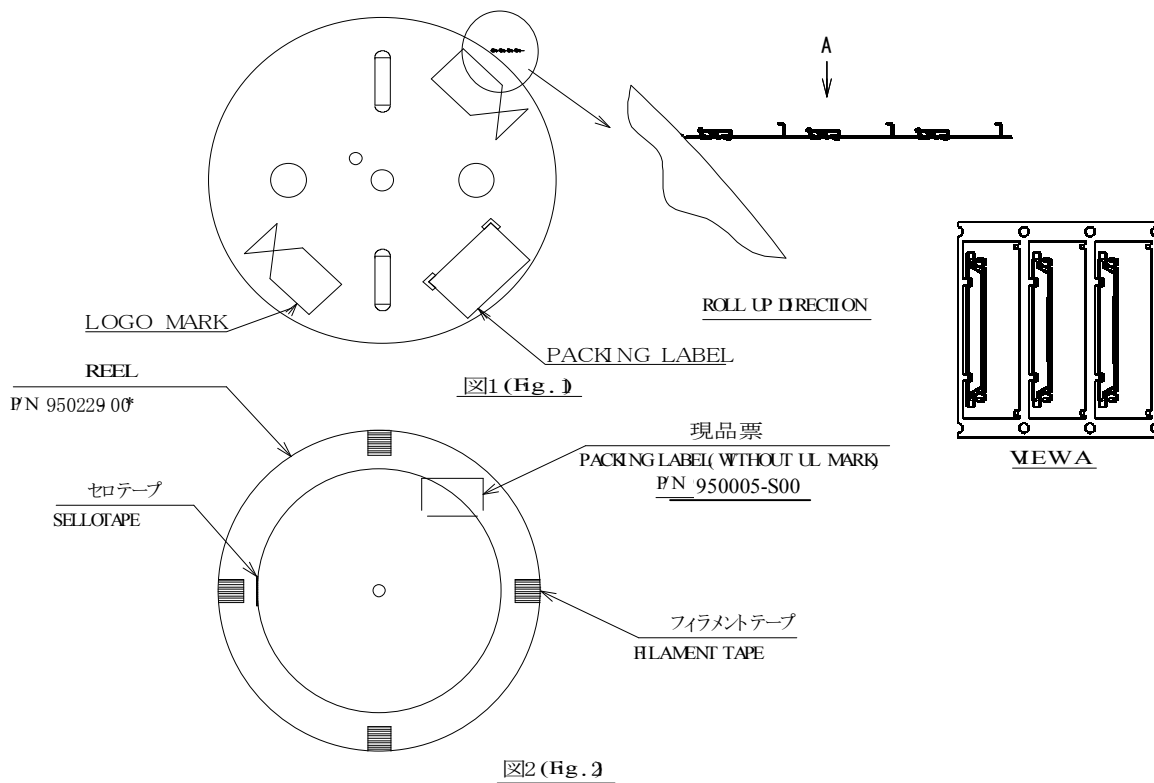
| | | |
|---|-------------------------------|----------------------|
| DOCUMENT CLASSIFICATION PACKING STANDARD 梱包規格 | TITLE CABLIN-VSF SHELL | No. PST-13043 |
| | | CUSTOMER COPY |

5. 梱包形態 (PACKING STYLE)

5-1 リールへの梱包(PACKING OF REEL)

- (1) シェルのリールへの巻き方向は、図1に従う事。
- (2) 巻き数は、5000 個/リールの事。

- (1) Coiling of shell to reel follow as shown Fig.1.
- (2) Coiling QTY. is 5000 in reel.



| | | |
|---|-------------------------------|----------------------|
| DOCUMENT CLASSIFICATION PACKING STANDARD 梱包規格 | TITLE CABLIN-VSF SHELL | No. PST-13043 |
| | | CUSTOMER COPY |

5-2 外装カートンへの梱包 (Packing of P CARTON)

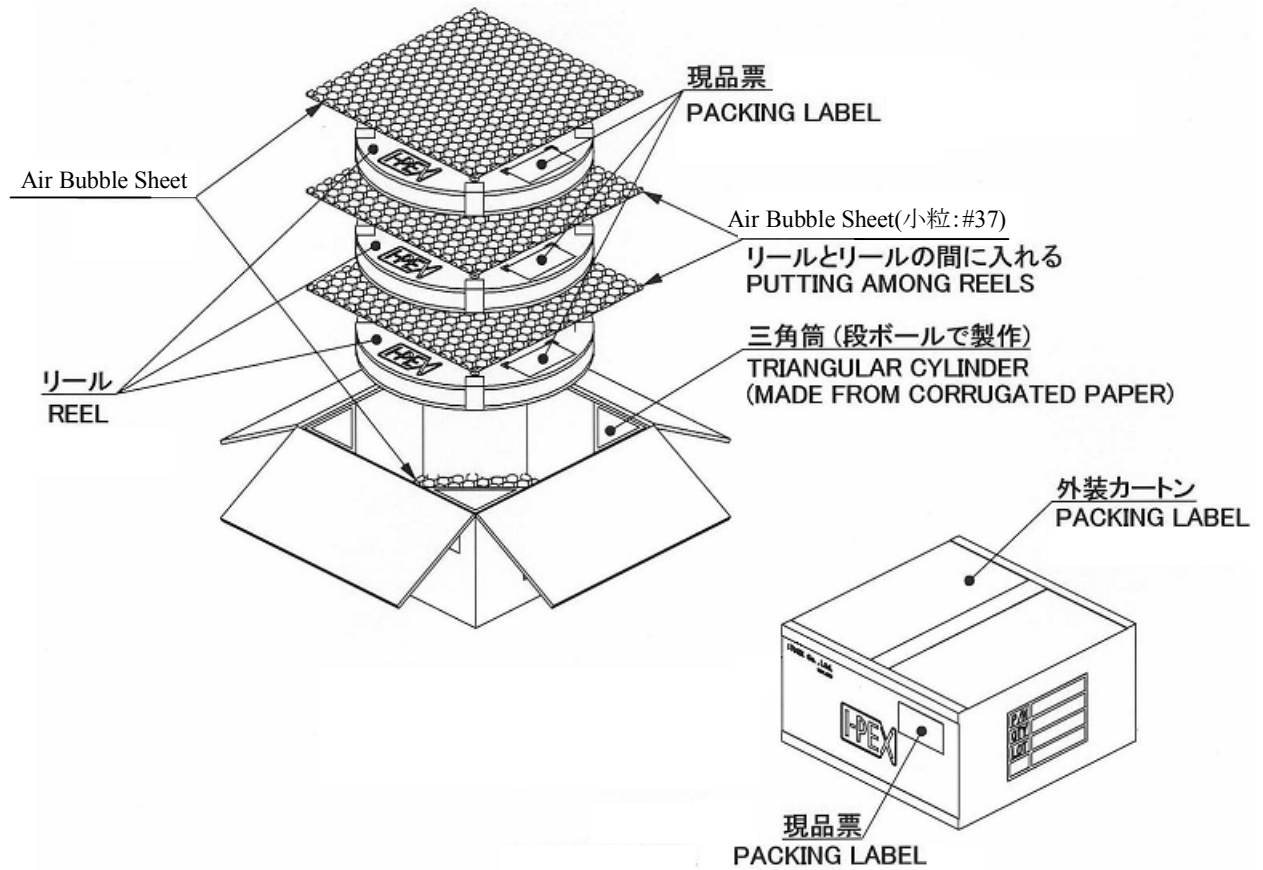


図 3(Fig.3)