

CABLINE®-CAL PLUG LOCK BAR

Part No. 3300-0**1

Packing Standard

1	S19141	February 28, 2019	S.Yamaguchi	T.Masunaga	Y.Shimada
0	S17301	April 20, 2017	M.Ishimaru	-	H.Ikari
Rev.	ECN	Date	Prepared by	Checked by	Approved by

CABLINE-CAL PLUG LOCK BAR Packing Standard

1. 製品名称 (NAME) : CABLINE-CAL PLUG LOCK BAR
製品番号 (ITEM) : 3300-0**1


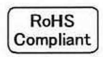

2. 梱包材料 (PACKING MATERIAL)



型番 (P/N)	スティック(STICK)	内装カートン (SHIPPING CARTON)	外装カートン (PACKING CARTON)
	外寸法 (OUTER SIZE)		
3300-0301	350×26.0×3.0	385×175×90 OUTER	406×406×214 OUTER
3300-0401	350×30.0×3.0		

3. 梱包数量 (PACKING QTY.)

型番 (P/N)	入数/スティック (QTY./STICK)	入数 (スティックの数) / 内装カートン QTY. IN SHIPPING CARTON (STICKS QTY.)	入数 (内装カートンの数) / 外装カートン QTY. IN PACKING CARTON (S CARTON QTY.)
3300-0301	500	15000 (30 本(STICKS))	60000 (4 箱(BOXES))
3300-0401			

4. 現品票 (LABEL)

20090909011300-00001		
P/N	①	CHECK
Q'TY	②	⑦
LOT	③	
	NAME: ④	REMARK
	MADE IN <input type="text"/> ⑤  	
DAI-ICHI SEIKO CO.,LTD.		

① •• Part number : Ex. 3300-0401

②••• QTY.

③••• Products lot No. :

It is constituted from ten figures. (See below.)

 NN NN NN NNNN
A B C D

A : Last two figures of the Christian era (two figures)

B : Month (two figures)

C : Day (two figures)

D : It is cord number that I-PEX uses. (four figures)

Example : 1902280010

It means that the Product was manufactured on Feb./28/2019

④••• Item : Ex. CABLINE-CAL PLUG LOCK BAR

⑤••• Production country

⑥••• QR code

⑦••• Check stamp

5. 梱包形態 (PACKING STYLE)

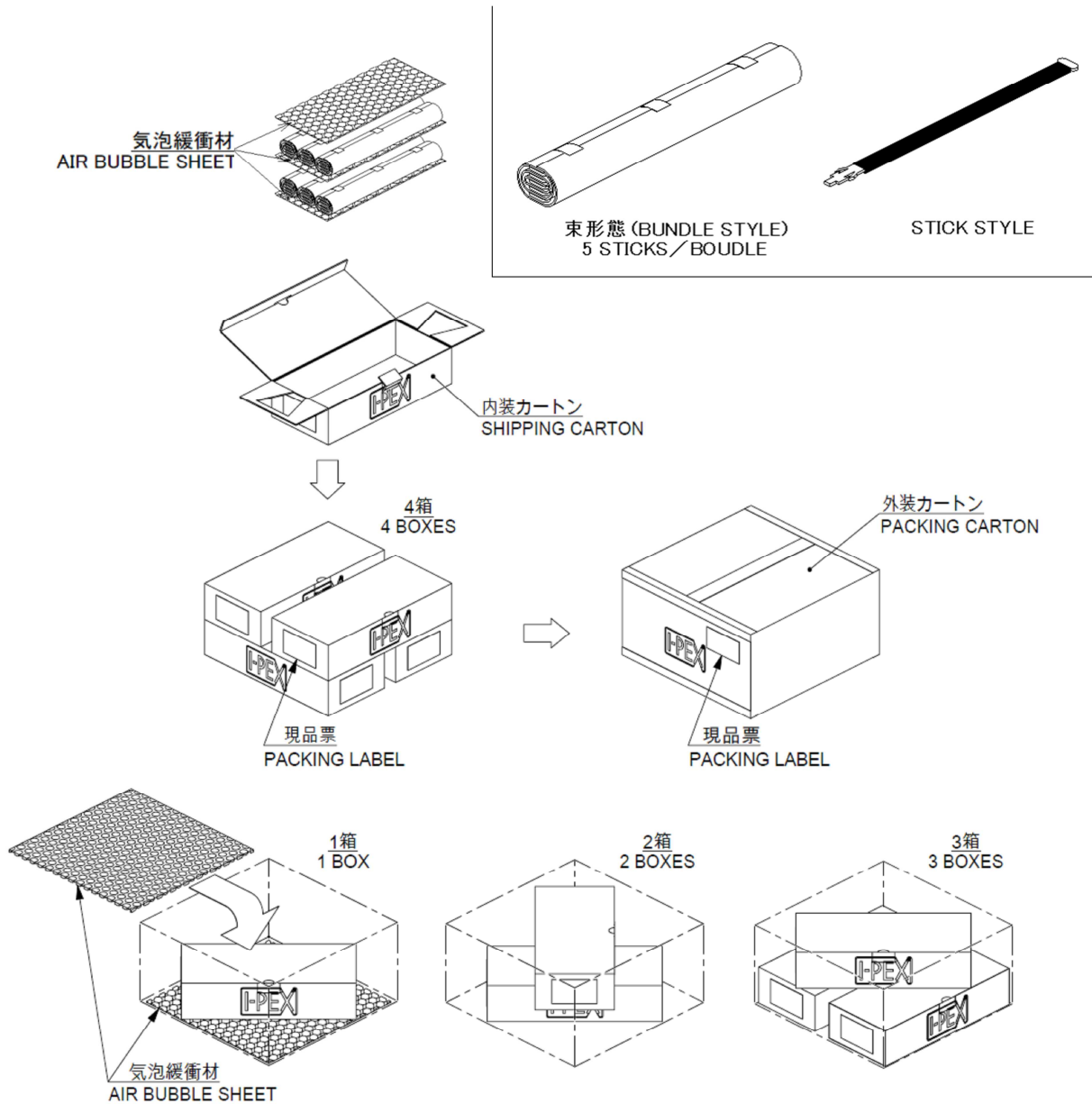


図 1. (Fig.1)