

EVAFLEX® 5-HD

Fully-shielded, high-speed, auto-locking, horizontal mate, 0.5 mm pitch shielded FFC/FPC connector



Product Specifications:

Board Pitch (mm)	0.5	
Wiping Length (mm)	1	
Size (mm)	Height	2.00 +/- 0.20
	Width	Formula: 5.2 + (0.5*?p)
	Depth	8.43 +/- 0.30
Pin counts	Range	10 - 40
	Available	24

Applicable FPC/FFC:

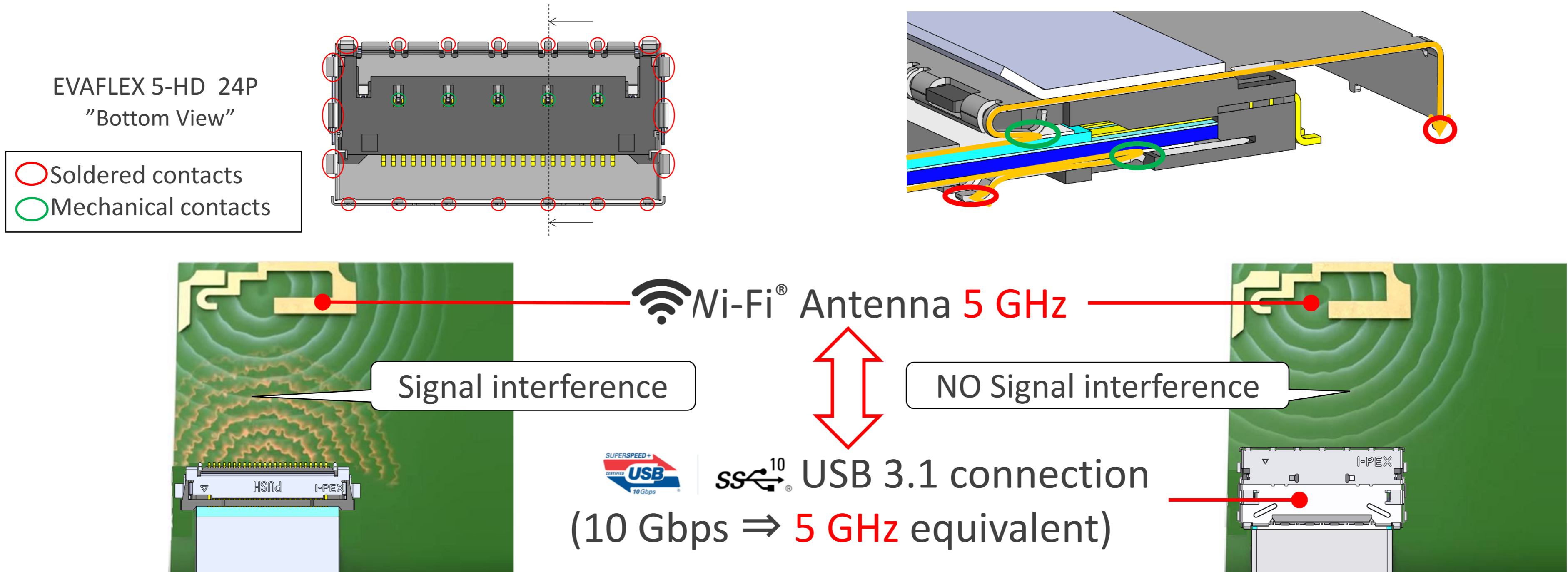
FPC/FFC Type	Shielded FFC & FPC
FPC/FFC Contact Point	Top
FPC/FFC Thickness (mm)	0.3 +/- 0.03 Contact 0.5 +/- 0.03 Ground

Applicable Standards (Reference Only):

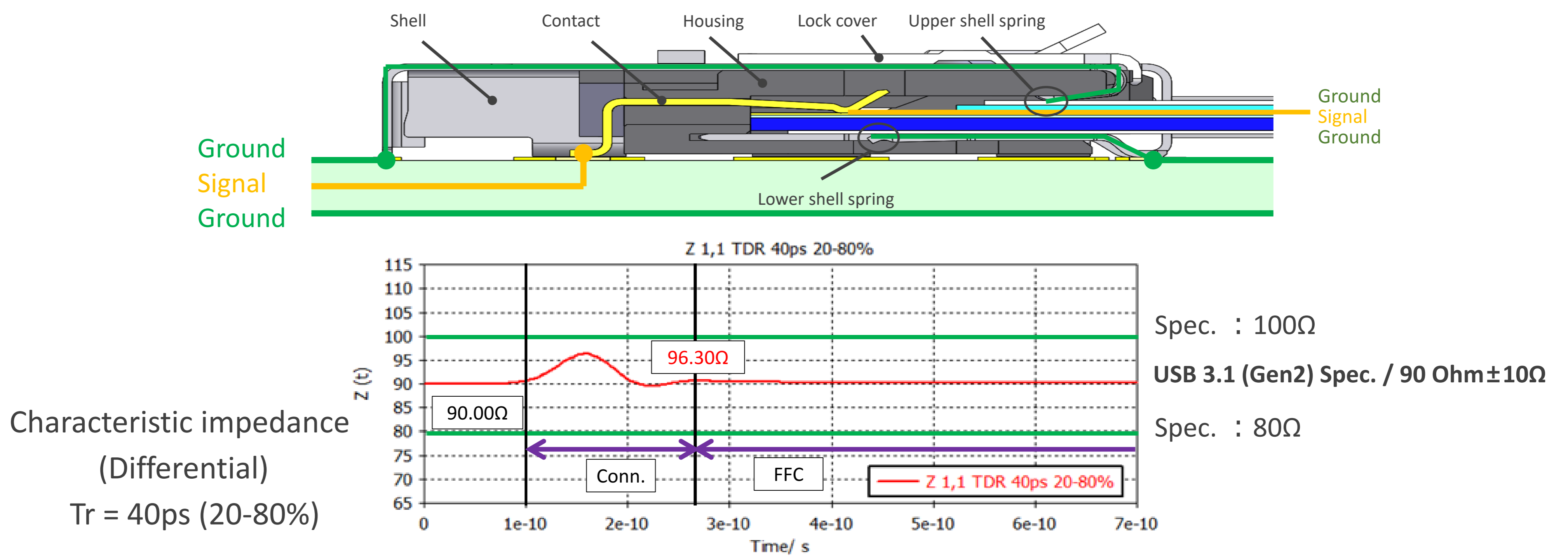
USB4 (20 Gbps/lane) USB 3.1 Gen 2 (10 Gbps) USB 3.1 Gen 1 (5 Gbps) V-By-One HS 1.4 (4 Gbps)

* Please inquire for pin counts not listed or outside of the pin count range.

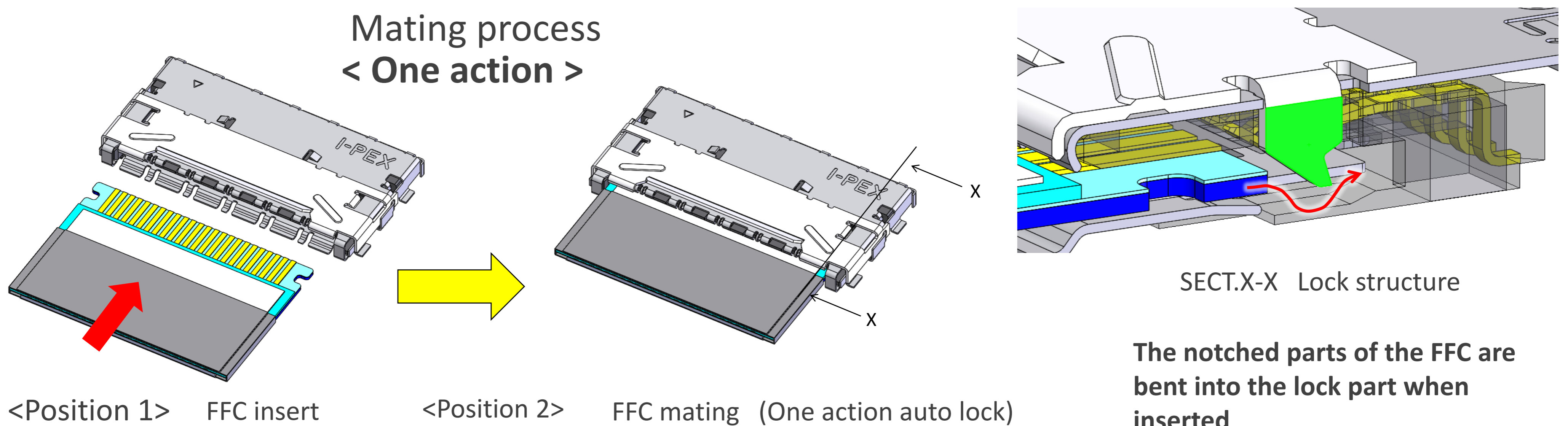
ZenShield® fully-shielded with multi-point grounds to prevent EMI leakage



Designed for high-speed transmission (10+ Gbps USB® 3.1 Gen 2)



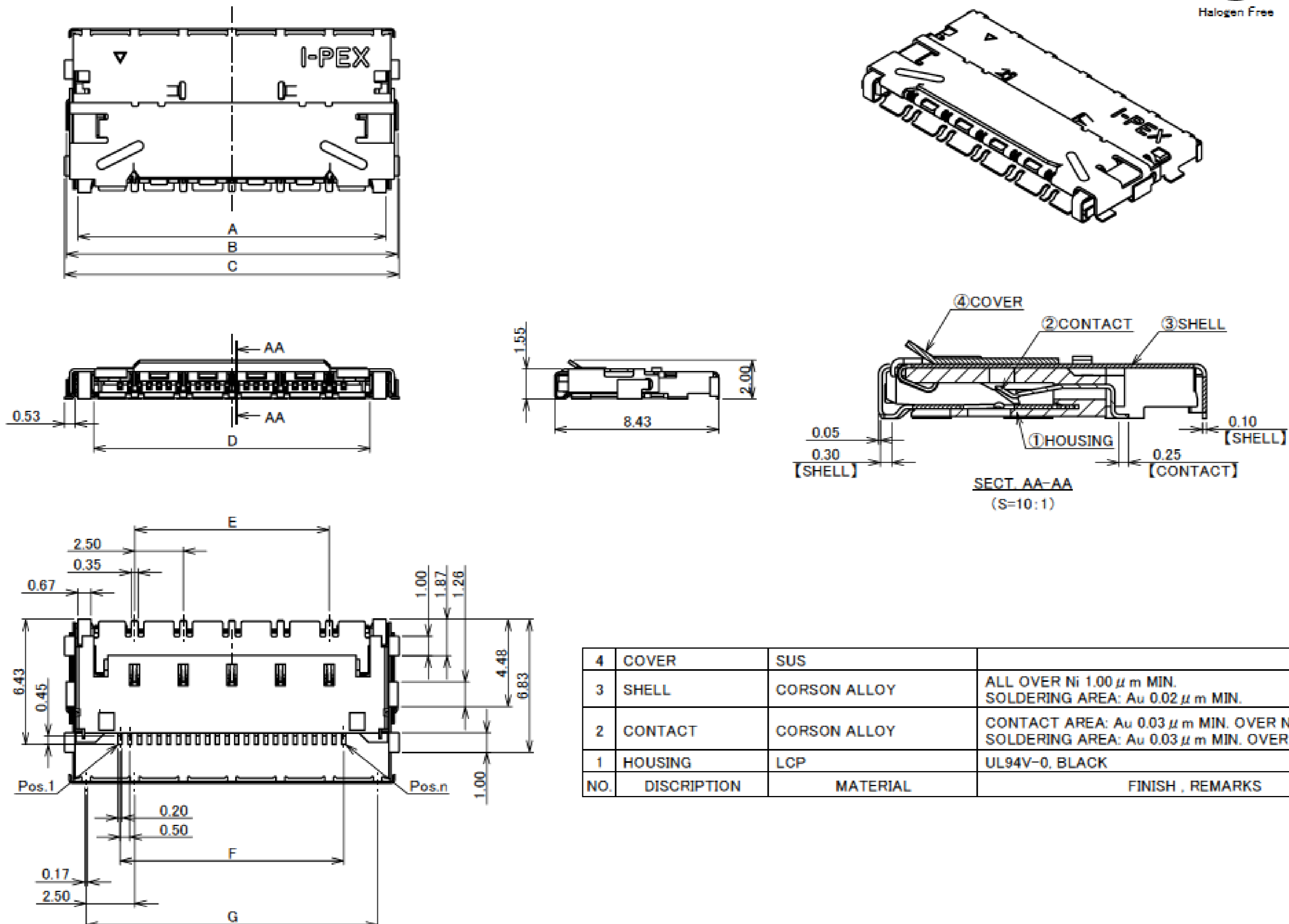
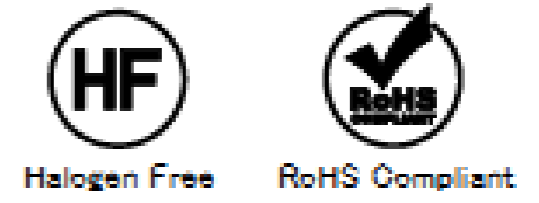
Operator friendly auto-locking design, ideal for hand or robotic assembly



Component Parts Details

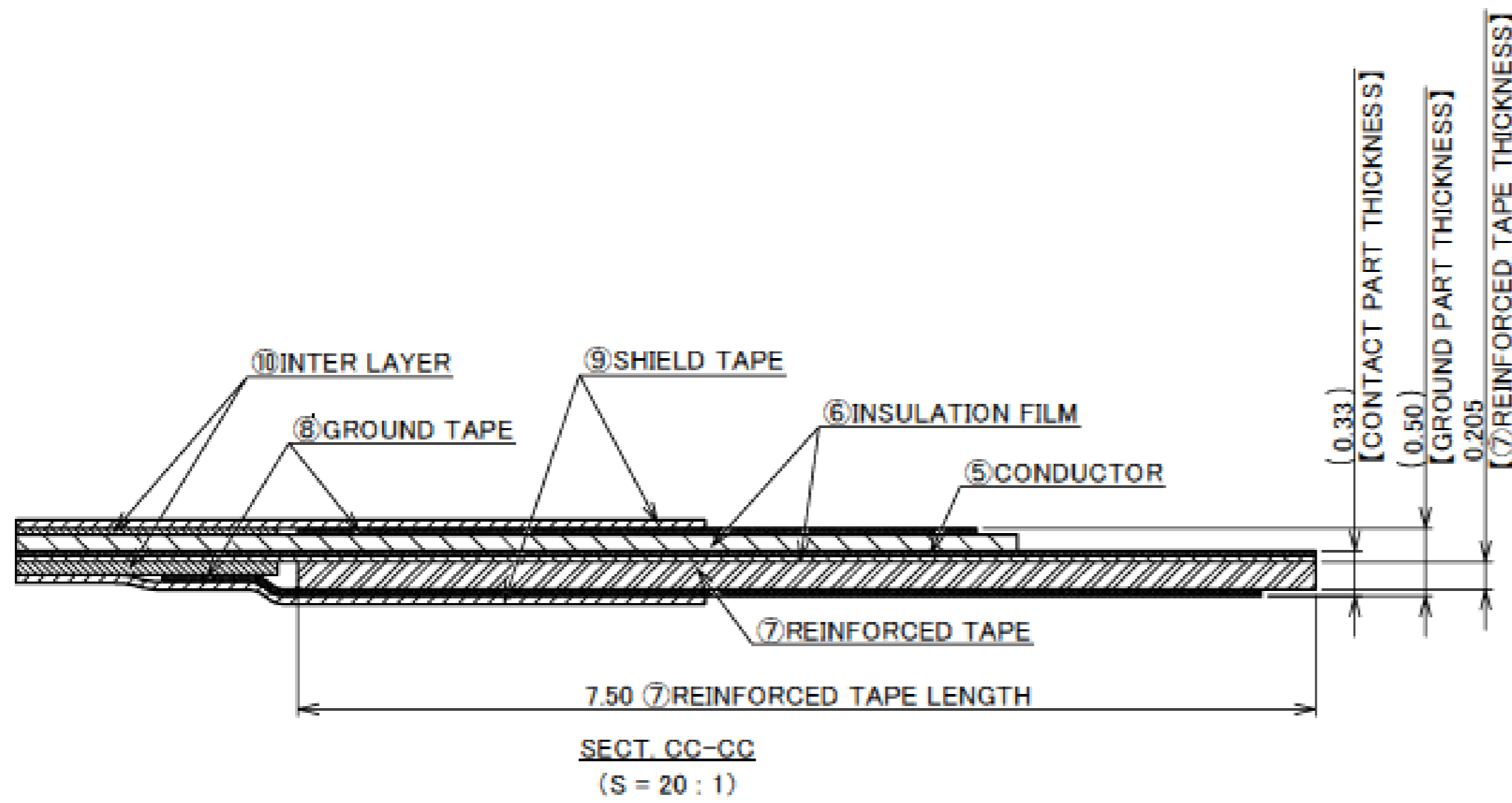
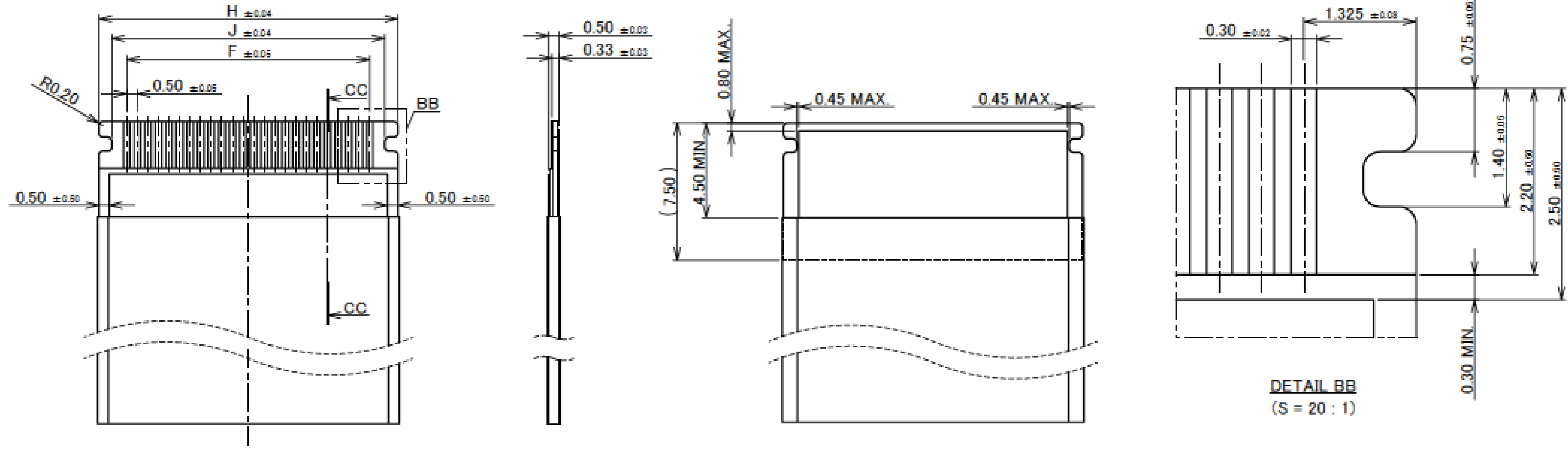
Connector Assembly

Recommended P/N		20952-0**E-02						
PART NO.	Pos.	A	B	C	D	E	F	G
20952-024E-02	24	15.84	17.04	17.20	14.20	10.00	11.50	15.00



Connector Assembly

PART NO.	Pos.	F	H	J
20952-024E-02	24	11.50	14.15	12.90



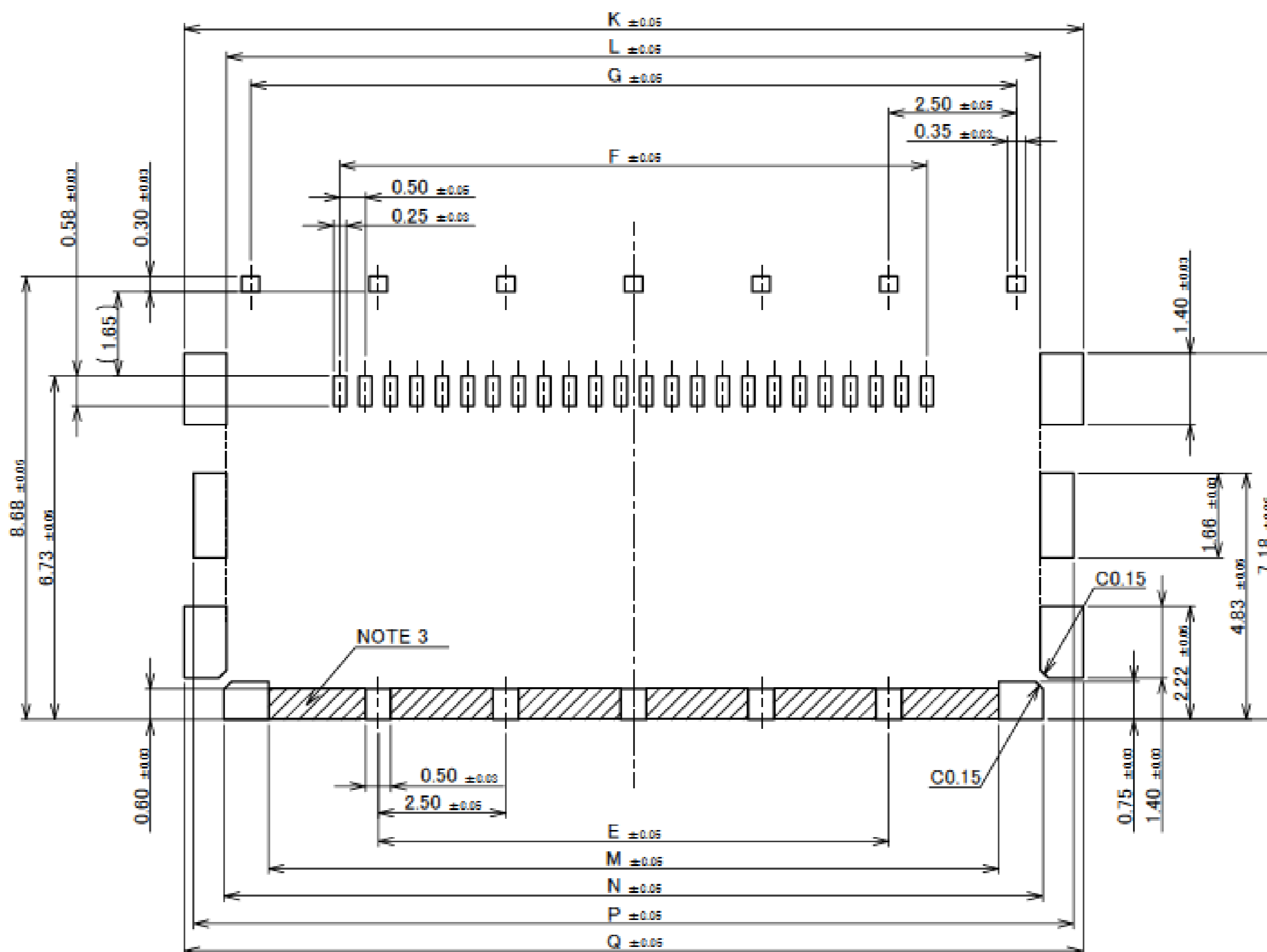
- NOTES.
- DIFFERENTIAL IMPEDANCE : $90 \pm 10 \Omega$
 - SELECT A MATERIAL WITH A SOFTENING TEMPERATURE OF 85°C OR HIGHER FOR THE PATTERN ADHESIVE PART OF FFC.

NO.	DISCRIPTION	MATERIAL	FINISH , REMARKS
10	INTER LAYER	ARBITRARY	
9	SHIELD TAPE	METALLIC FILM	
8	GROUND TAPE	METALLIC FILM	POLISH or HALF POLISH Sn PLATING
7	REINFORCED TAPE	ARBITRARY	
6	INSULATION FILM	ARBITRARY	
5	CONDUCTOR	COPPER ALLOY	CONTACT AREA : Au $0.05 \mu\text{m}$ MIN. OVER Ni $0.5 \mu\text{m}$ MIN.

Rev.5

Plug Housing Assembly

PART NO.	Pos.	E	F	G	K	L	M	N	P	Q
20952-024E-02	24	10.00	11.50	15.00	17.60	15.94	14.30	16.04	17.24	17.60

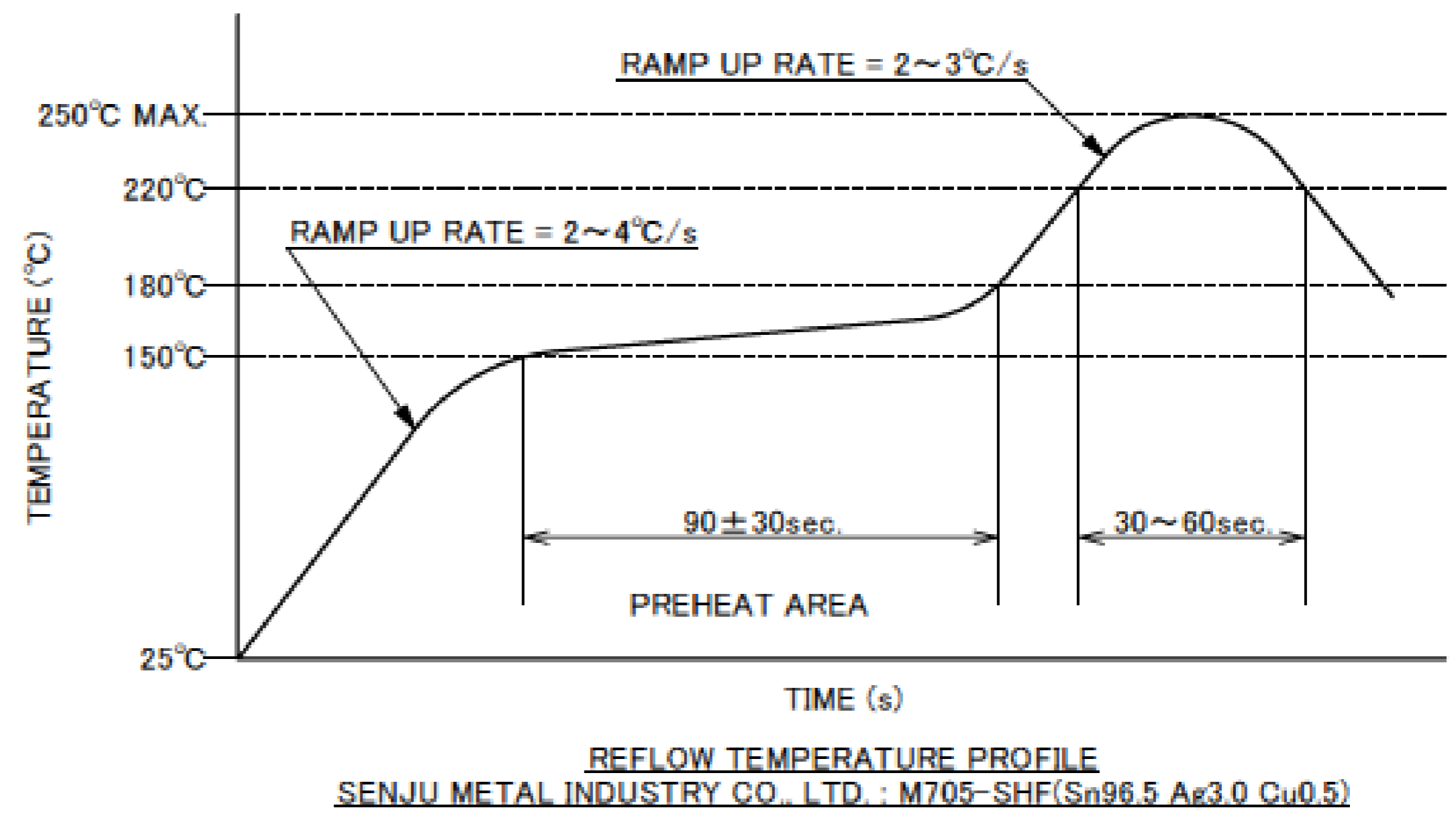
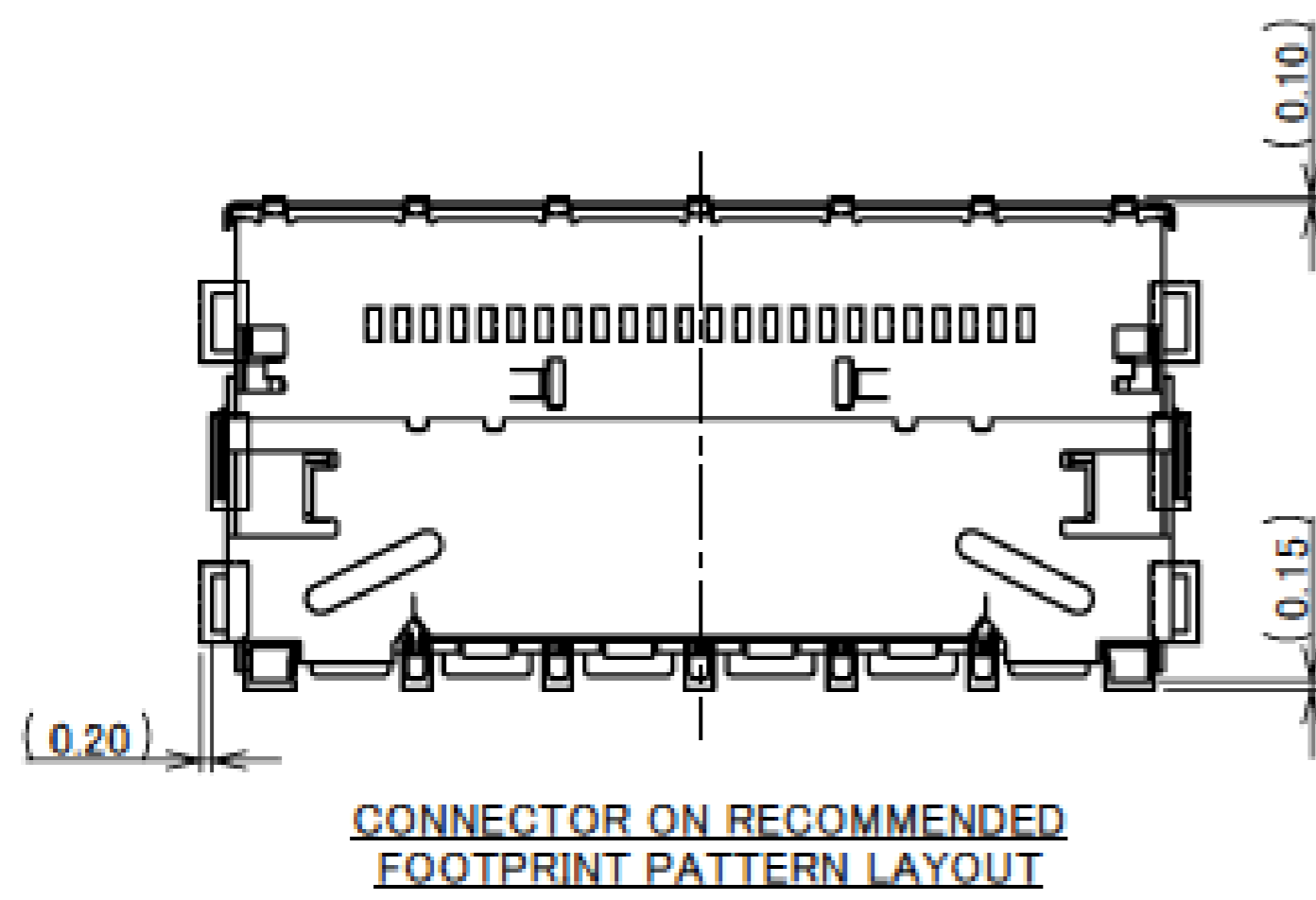


RECOMMENDED PCB & METALMASK LAYOUT
THICKNESS t=0.12

- NOTES.
- SOLDER RESIST MUST BE APPLIED TO THIS AREA.

Rev.5

Connector Assembly



Rev.5

Plug Housing Assembly

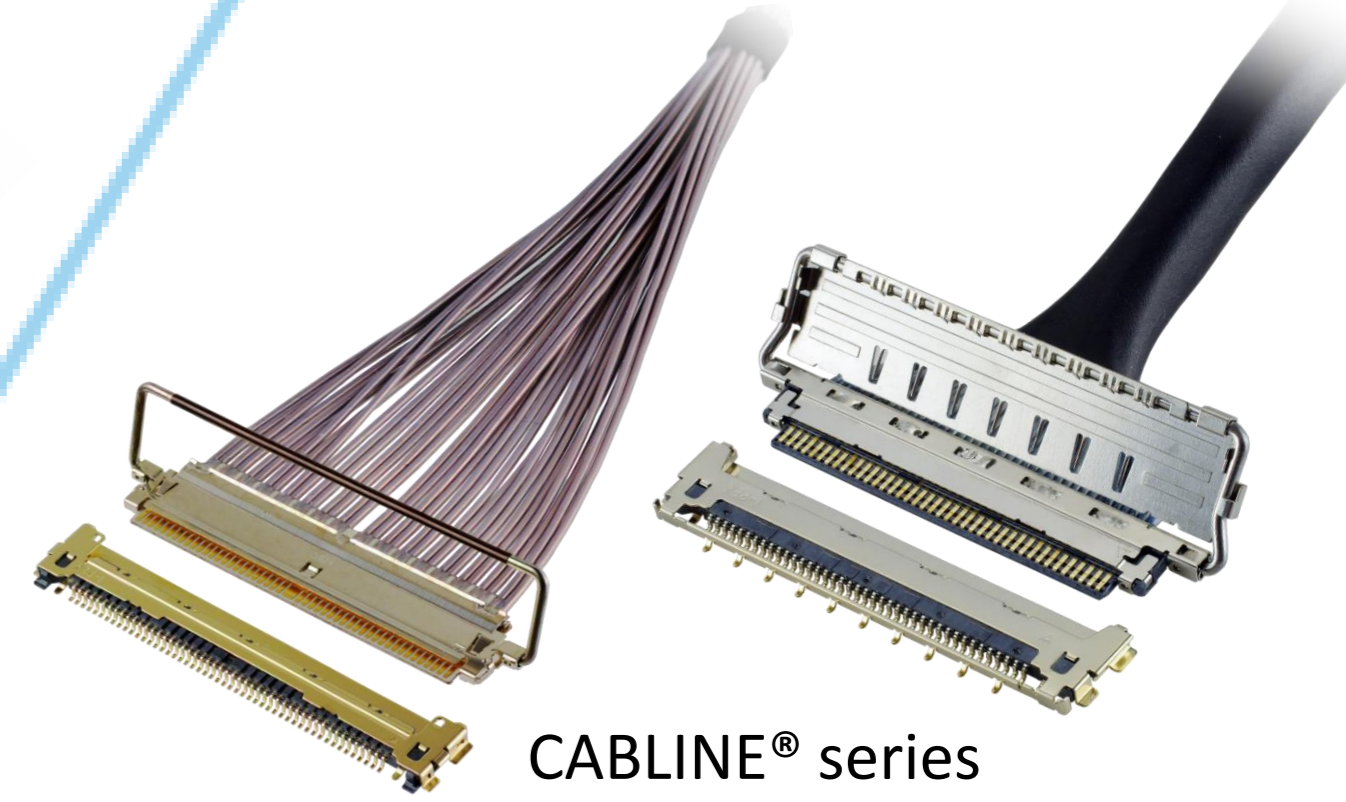
ITEMS	SPECIFICATION
RATING VOLTAGE	50V AC/DC (PER CONTACT PIN)
RATING AMPERAGE (FOR SIGNAL CONTACT)	0.30A AC/DC (PER CONTACT PIN)
OPERATING TEMPERATURE	233~358K (-40°C~+85°C)
OPERATING HUMIDITY	85% RH. MAX. (NON-CONDENSING)
CONTACT RESISTANCE (FOR SIGNAL CONTACT)	INITIAL : 60mohm MAX. / AFTER TEST : $\leq 140\text{mohm}$ MAX.
INSULATION RESISTANCE	INITIAL : 500Mohm MIN. / AFTER TEST : 500Mohm MIN.
DIELECTRIC WITHSTANDING VOLTAGE	AC 250V 1min
DURABILITY	30 CYCLES
MATING FORCE (INITIAL / AFTER TEST)	24P : 22.00 N MAX.
UNMATING FORCE (INITIAL / AFTER TEST)	24P : 2.30 N MIN.
FFC/FPC RETENTION FORCE (INITIAL / AFTER TEST)	24P : 8.50 N MIN.
COPLANARITY	0.10 MAX.
PRODUCT SPECIFICATION	PRS-2645
TEST REPORT	TR-20006
PACKING STANDARD	PST-19012
INSTRUCTION MANUAL	HIM-19004
APPEARANCE CRITERIA No.	QLS-A***

Rev.5

Custom Connectors Available

 RF Connectors

MHF® series



CABLINE® series



Micro-coaxial/Twinax Connectors

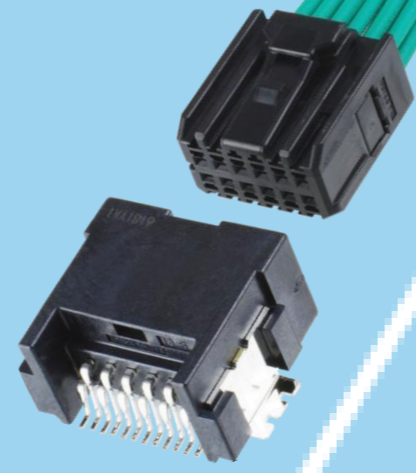


Wire-to-Board Connectors/Terminals

AP series



ISH® series



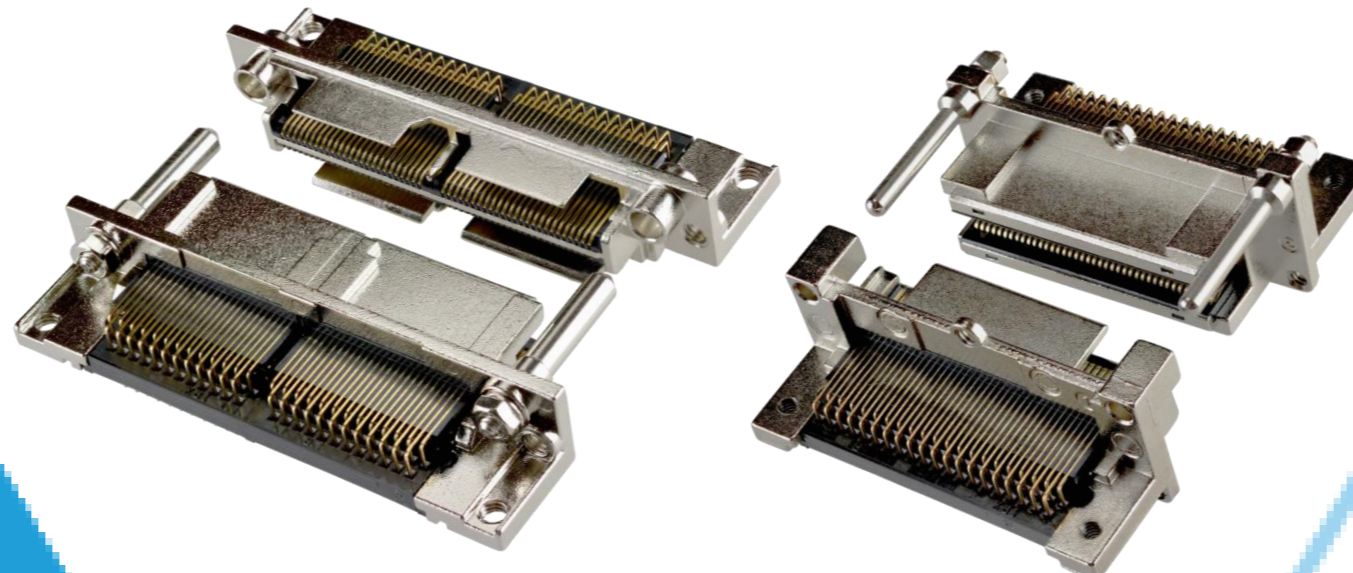
NOVASTACK® series



Board-to-Board Connectors



I/O Connectors



MINIDOCK™ series

MINIFLEX® series

EVAFLEX® series



FPC/FFC Connectors



Inquiry



I-PEX, MHF, CABLINE, NOVASTACK, ISH, IARPB, MINIFLEX, EVAFLEX, MINIDOCK and ZenShield are registered trademarks of I-PEX Inc. Please note that the contents in the catalog might be changed without prior notification. I-PEX Inc. assumes no responsibility for any inaccuracies or obligation to update information on these documents. Please be sure to read and understand the latest "Precautions for Use" and "Instruction Manual" before you use our products. We shall not be responsible for any defects, damages or troubles in case you use our products without following the precautions for use. Please feel free to contact our sales representatives when you use our products for any applications that require very high reliability and safety, or that relate to human life (ex. nuclear power control, aerospace, transportation, medical equipment, safety equipment etc.).

Contact your sales representative or more detailed information.

www.i-pex.com



I-PEX

© I-PEX Inc. 2025
All rights reserved