

CABLINE®- VS

VESA standard connector, Suitable for high-data-rate transfer (32 Gbps/lane), Mechanical locking bar, 0.5 mm pitch, Horizontal mating type micro-coaxial connector

Product Specifications:

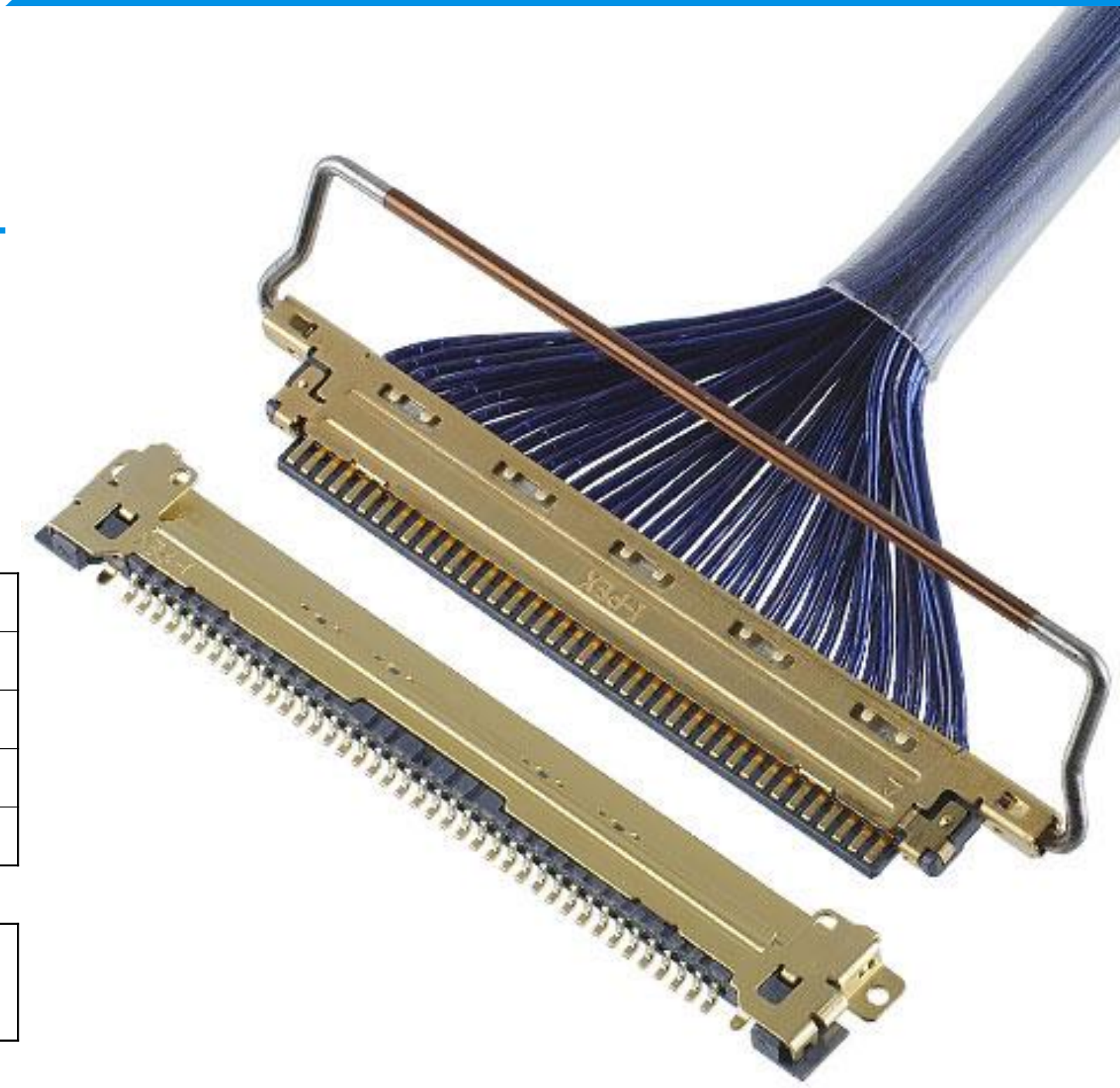
Mating type	Horizontal	
Board Pitch (mm)	0.5	
Wiping Length (mm)	0.61	
Mated size (mm)	Height	1.0 +/- 0.1
	Width	Formula: 7.55 + (0.5*?p)
	Depth	5.8
Pin Counts	Range	Up to 60
	Available	20, 30, 40, 50

Applicable Cable Size:

Maximum O.D. (mm)	0.5
Micro-Coaxial for Signal (AWG)	45 ohm: #36 or smaller
	50 ohm: #38 or smaller
Twinax (AWG)	#40
Discrete (AWG)	#32 or smaller

Applicable Standards (Reference Only):

32 Gbps/ Lane, USB4 Gen4 (40 Gbps/ Lane PAM3)
Display Port UHBR20 (20 Gbps/Lane)



* Please inquire for pin counts not listed or outside of the pin count range.

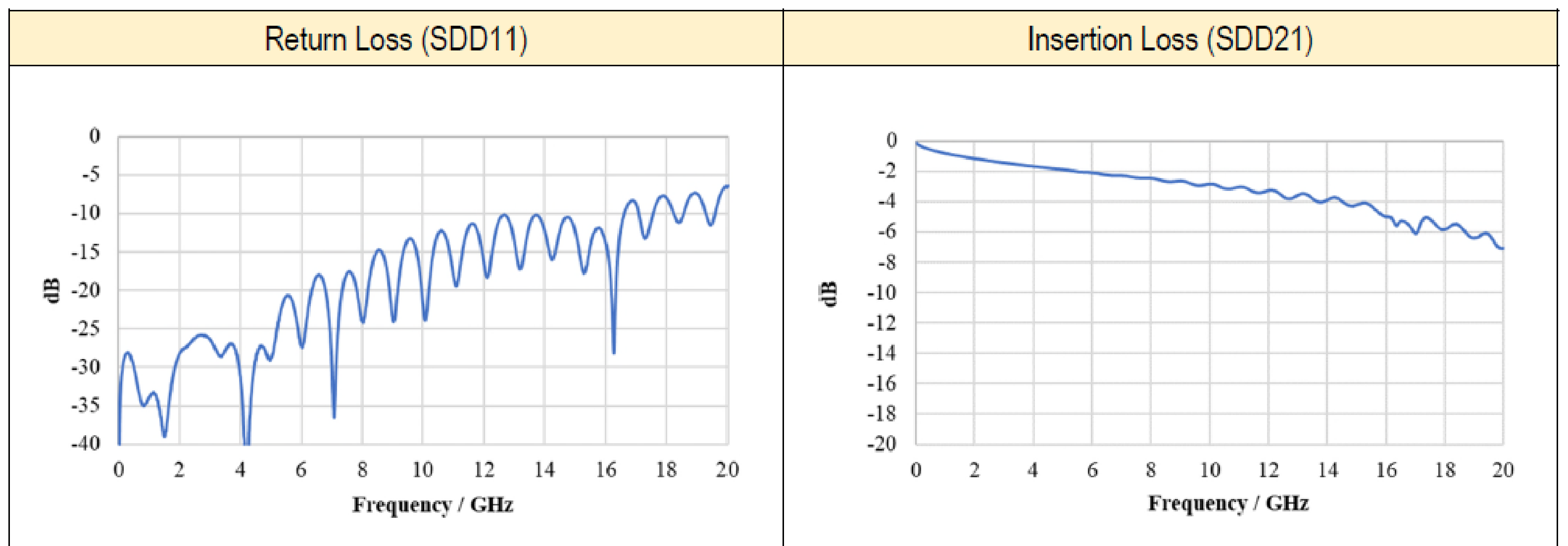
► **High-data-rate transfer, ideal for 32 Gbps/lane applications**

Measurement results

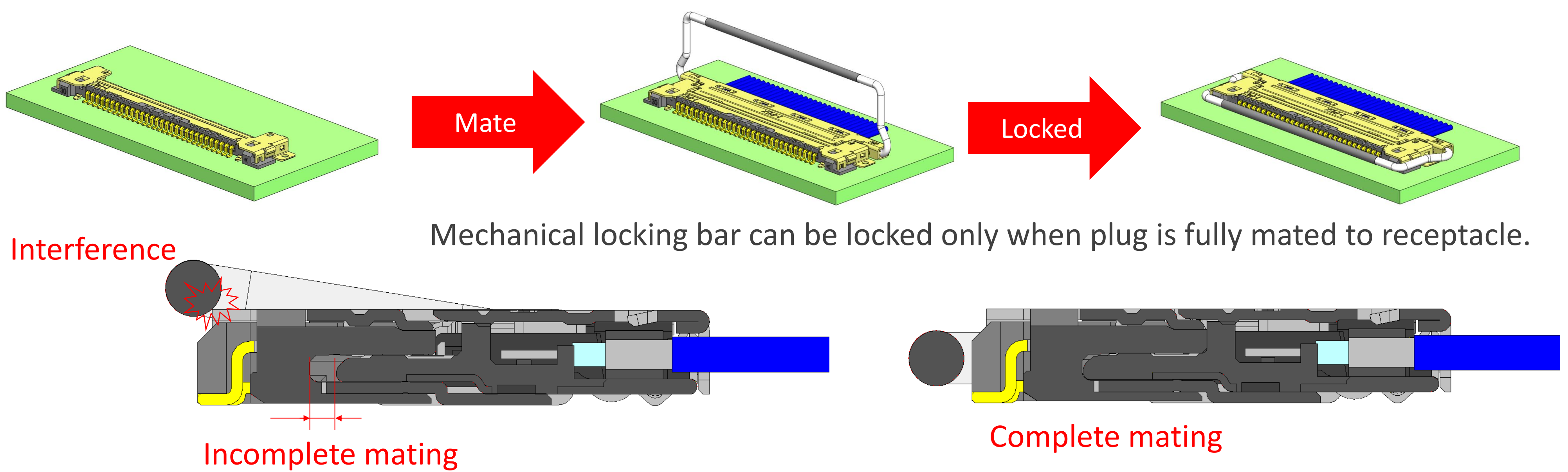
Connector: CABLINE-VS 40P

Cable: Micro-coaxial cable
AWG #40, 45ohm, Length : 100 mm

Pin Assignment: GSSGSSG



► **Mechanical locking bar prevents incomplete mating and back-out/unmating**



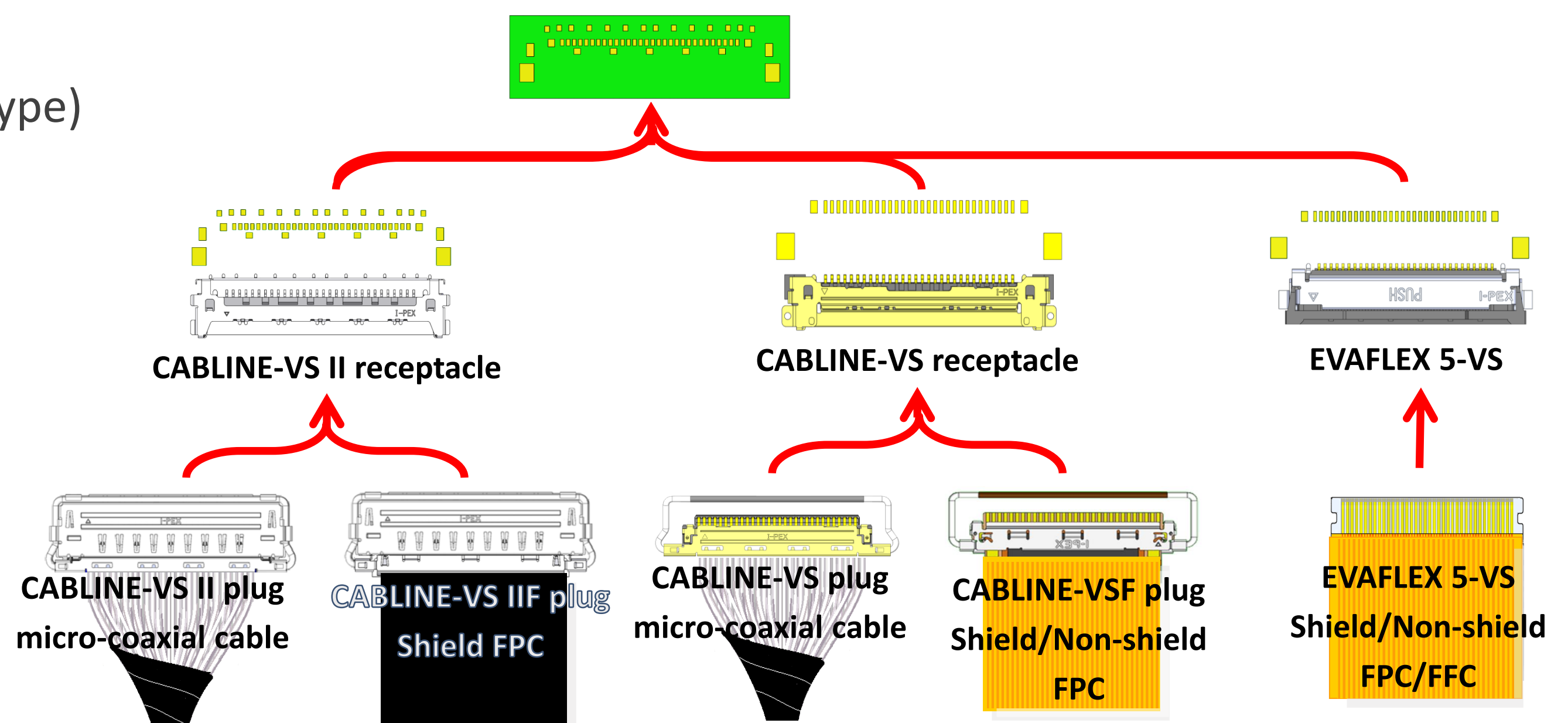
Mechanical locking bar can be locked only when plug is fully mated to receptacle.

► **Multiple connector options with I-PEX VS series**

I-PEX VS series (0.5 mm pitch, horizontal mating type)

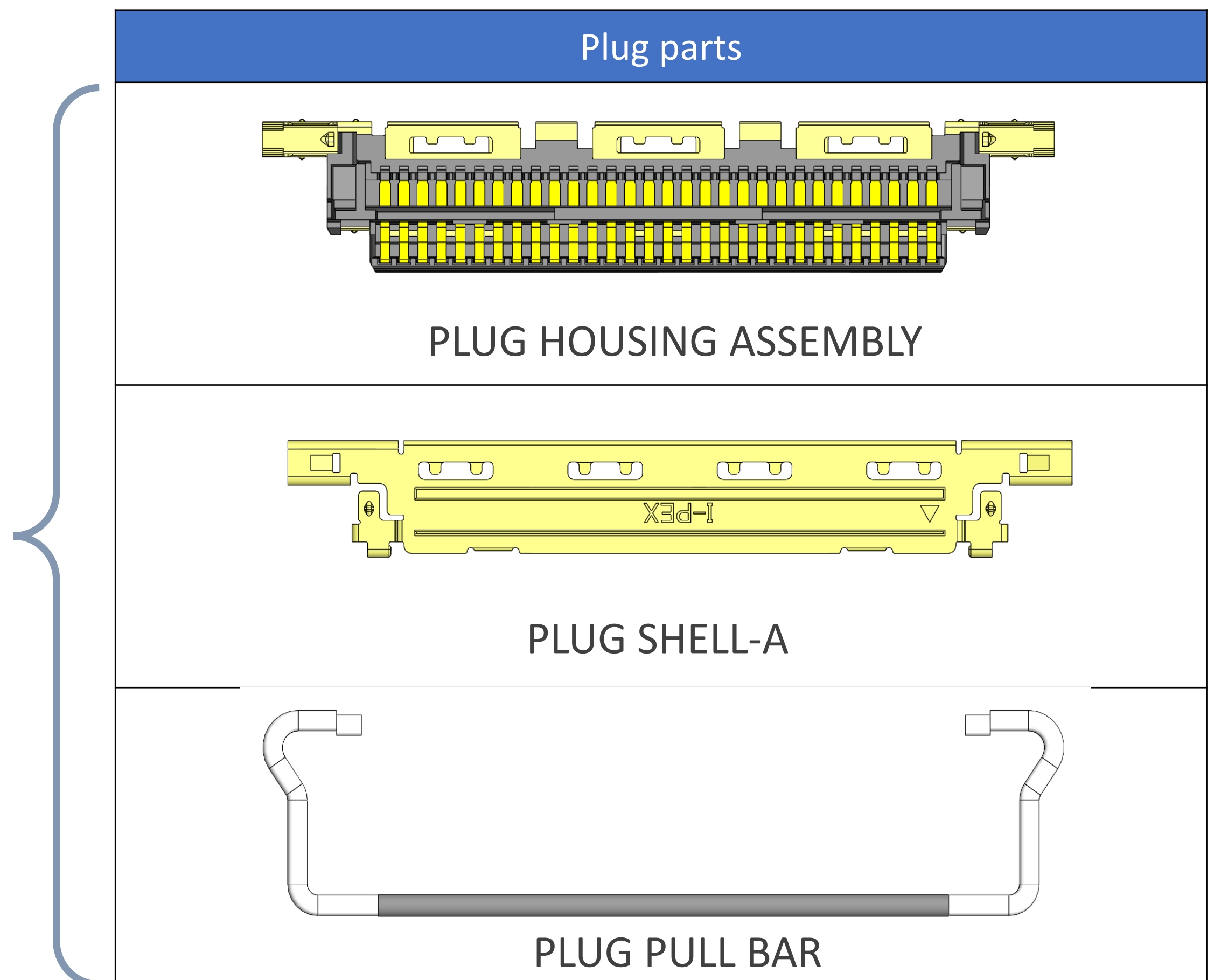
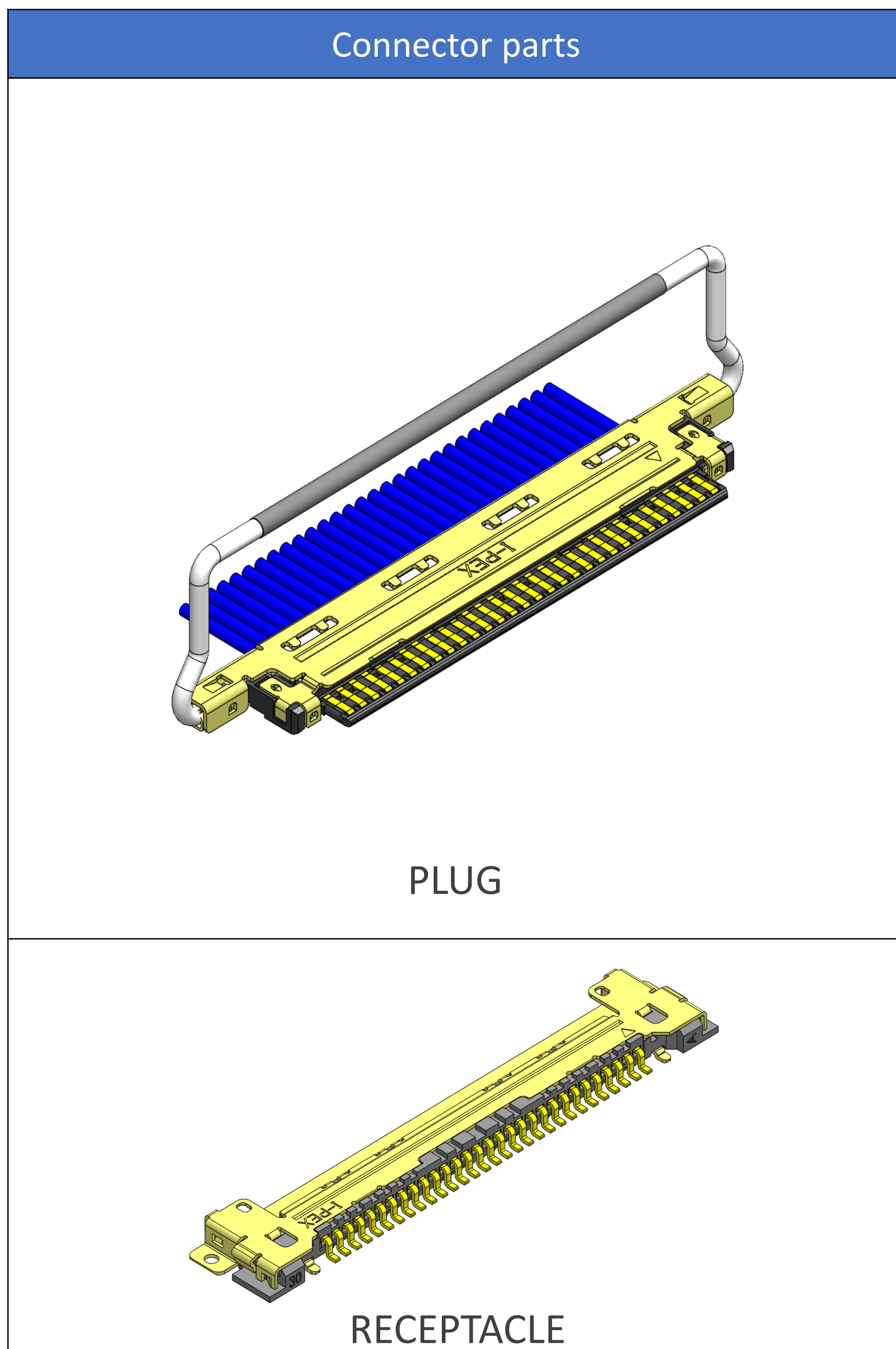
CABLINE-VS, VS II receptacles and EVAFLEX® 5-VS can be mounted to the same PCB layout.

CABLINE-VS Receptacle:
Has #1 share in the Notebook PC panel connector market as VESA standard connector.



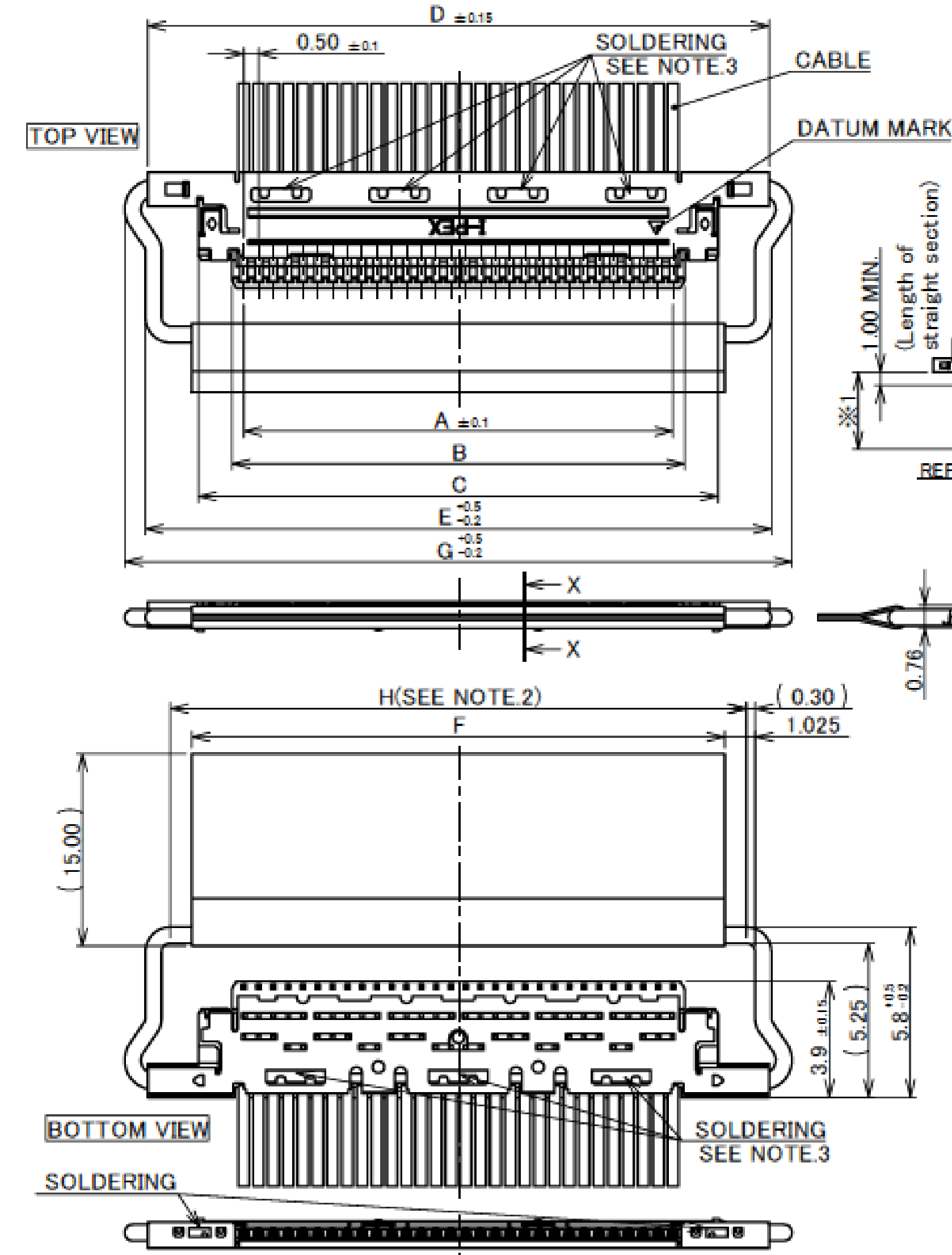
Component Parts Details

Component Parts



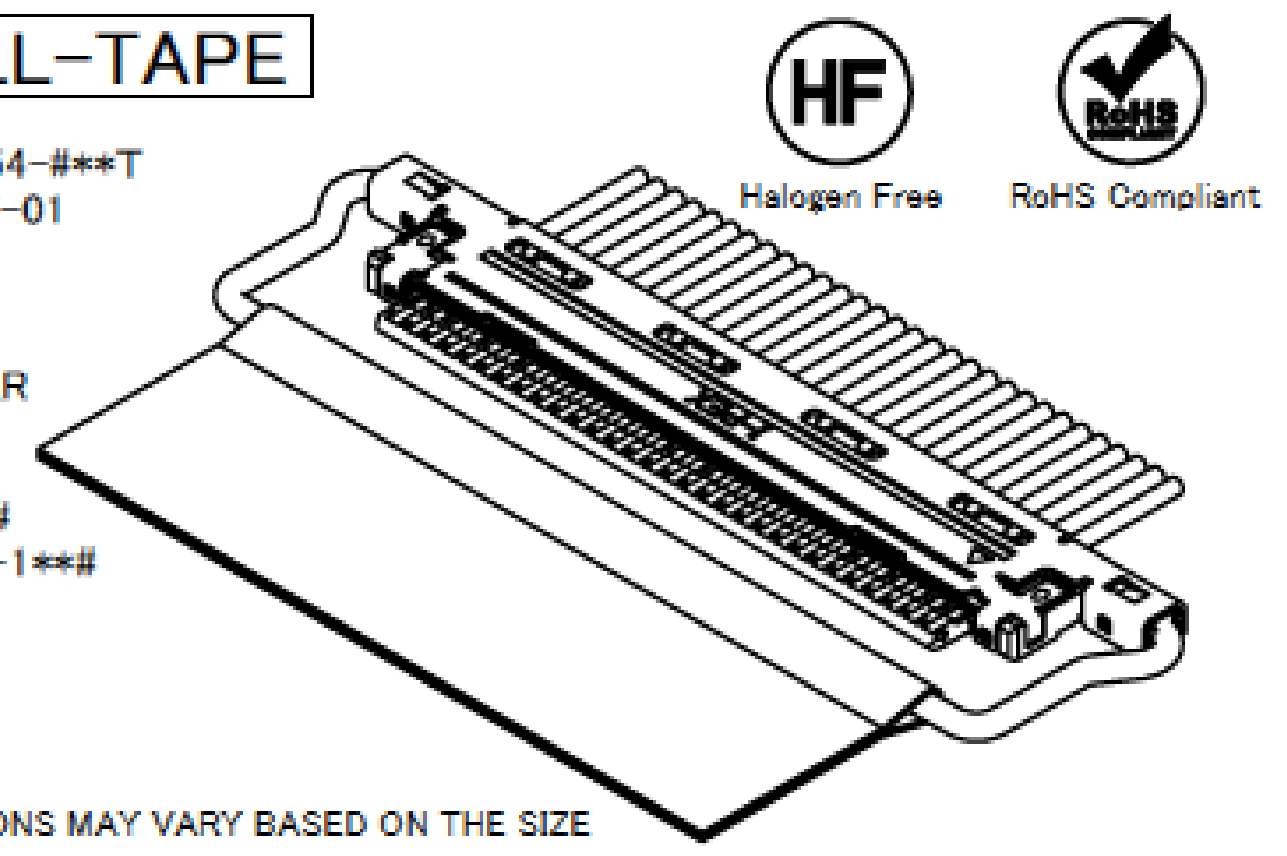
Plug for Cable Assembly

Recommended P/N		20453-2**T-03(20P/30P/40P)								20453-250T-03S(50P)							
PART NO.	Pos.	A	B	C	D	E	F	G	H								
20453-#20T-#1	20	9.50	10.30	12.56	16.00	16.15	13.00	17.55	14.45								
20453-#30T-#1	30	14.50	15.30	17.56	21.00	21.15	18.00	22.55	19.45								
20453-#40T-#1	40	19.50	20.30	22.56	26.00	26.15	23.00	27.55	24.45								
20453-#50T-#1S	50	24.50	25.30	27.56	31.00	31.15	28.00	32.55	29.45								



WITH PULL-BAR & PULL-TAPE

- P/N:20453-#**T-##
- NOTHING : HOUSING ASSY P/N 20454-##T
 - S : HOUSING ASSY P/N 20454-##T-01
 - 1 : WITH PULL-BAR P/N 2576-0**00
 - 2 : WITHOUT PULL-BAR
 - 3 : WITH INSULATION COAT PULL-BAR P/N 2576-1**00
 - 0 : WITH DATUM MARK P/N 2574-0**#
 - 1 : WITHOUT DATUM MARK P/N 2574-1**#
- SEE TABLE.1



※1: THE BEND DIMENSIONS MAY VARY BASED ON THE SIZE AND QUANTITY OF CABLES. PLEASE CONFIRM THE MINIMUM BENDING RADIUS WITH I-PEX OR THE HARNESS MANUFACTURER.

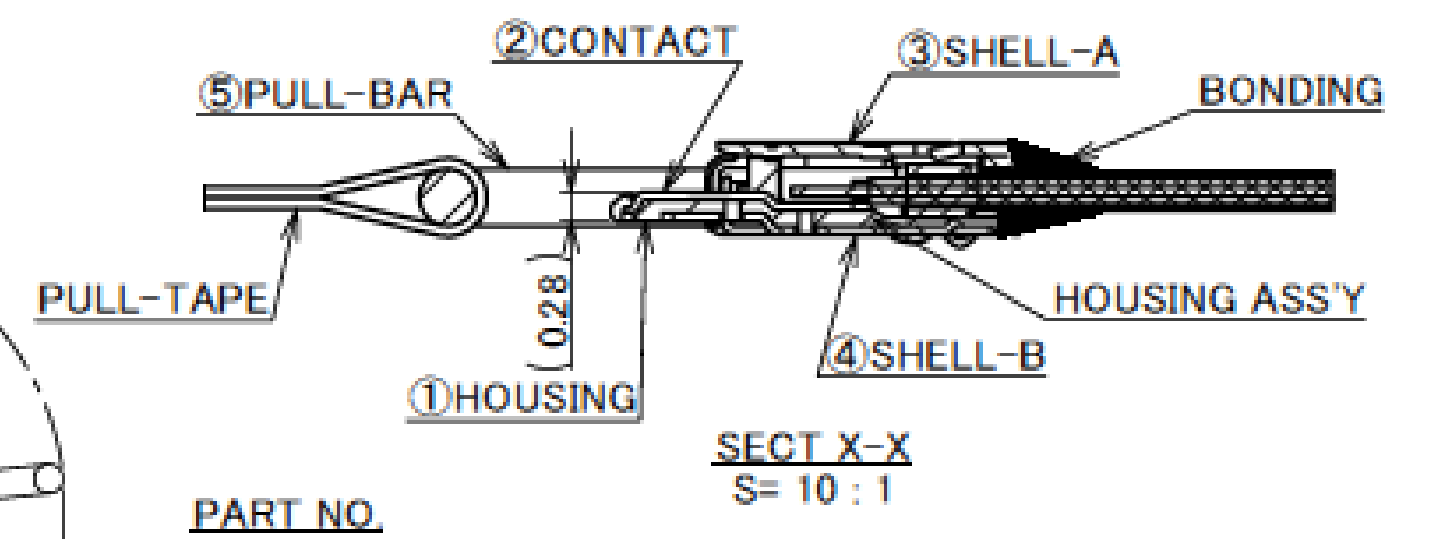


TABLE.1

PART NO.	CONTACT FINISH	SHELL-A FINISH	SHELL-B FINISH
20453-0**T-##	CONTACT AREA : Au 0.1 μm MIN. OVER NI 1.00 μm MIN. SOLDERING AREA : Au 0.05 μm MIN. OVER NI 1.00 μm MIN.	TOP SIDE : Au 0.05 μm MIN. OVER NI 1.00 μm MIN. BOTTOM SIDE : Au 0.015 μm MIN. OVER NI 1.00 μm MIN.	TOP SIDE : Au 0.015 μm MIN. OVER NI 1.00 μm MIN. BOTTOM SIDE : Au 0.05 μm MIN. OVER NI 1.00 μm MIN.
20453-2**T-##	CONTACT AREA : Au 0.1 μm MIN. OVER NI 1.00 μm MIN. SOLDERING AREA : Au 0.05 μm MIN. OVER NI 1.00 μm MIN.	TOP SIDE : Au 0.03 μm MIN. OVER NI 1.00 μm MIN. BOTTOM SIDE : Ni 1.00 μm MIN.(THERE IS THE POSSIBILITY THAT AU ATTACHES RANDOMLY?)	TOP SIDE : Ni 1.00 μm MIN.(THERE IS THE POSSIBILITY THAT AU ATTACHES RANDOMLY?) BOTTOM SIDE : Au 0.03 μm MIN. OVER NI 1.00 μm MIN.

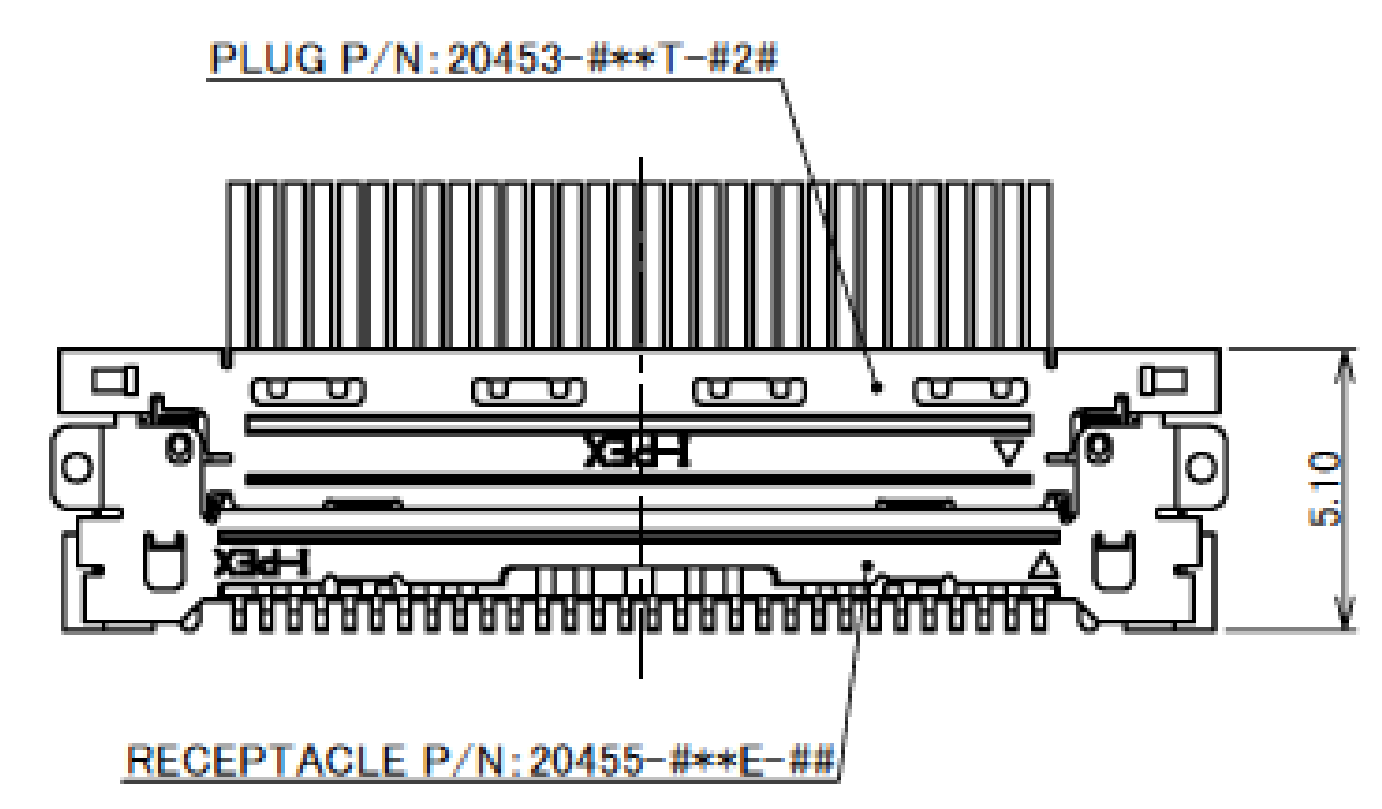
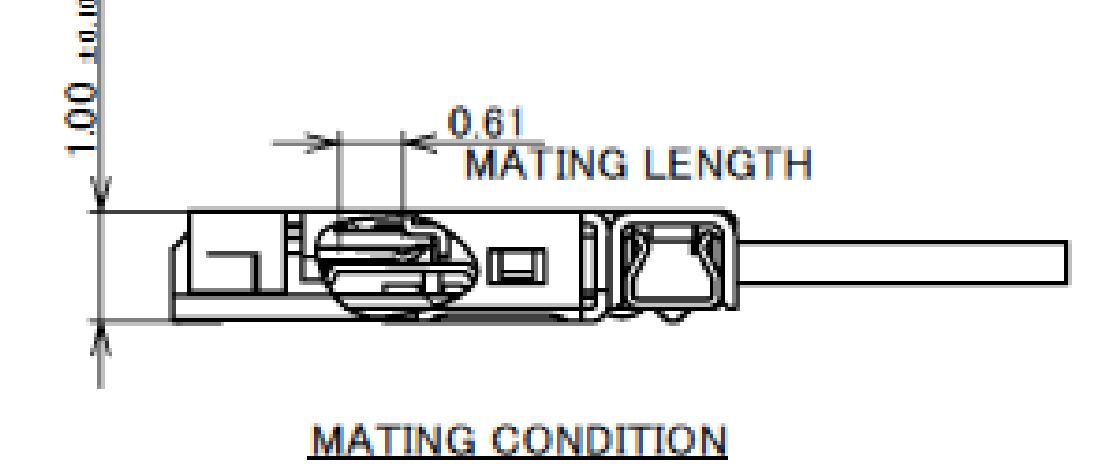
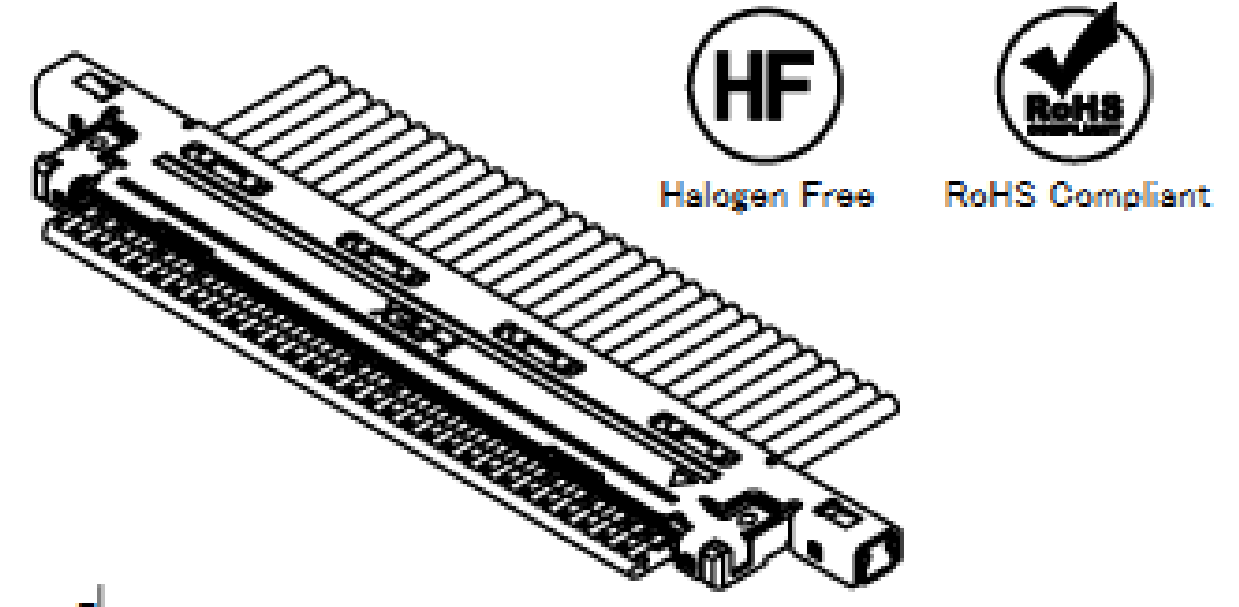
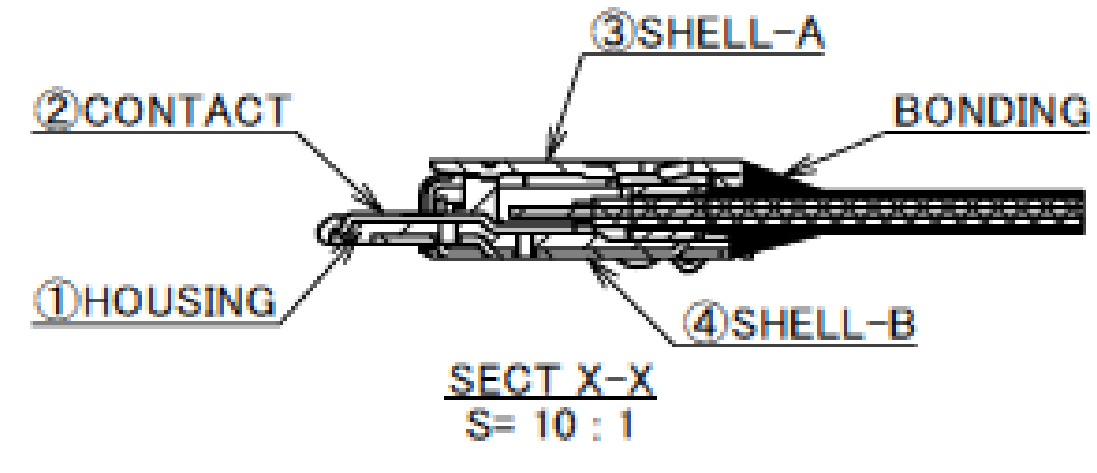
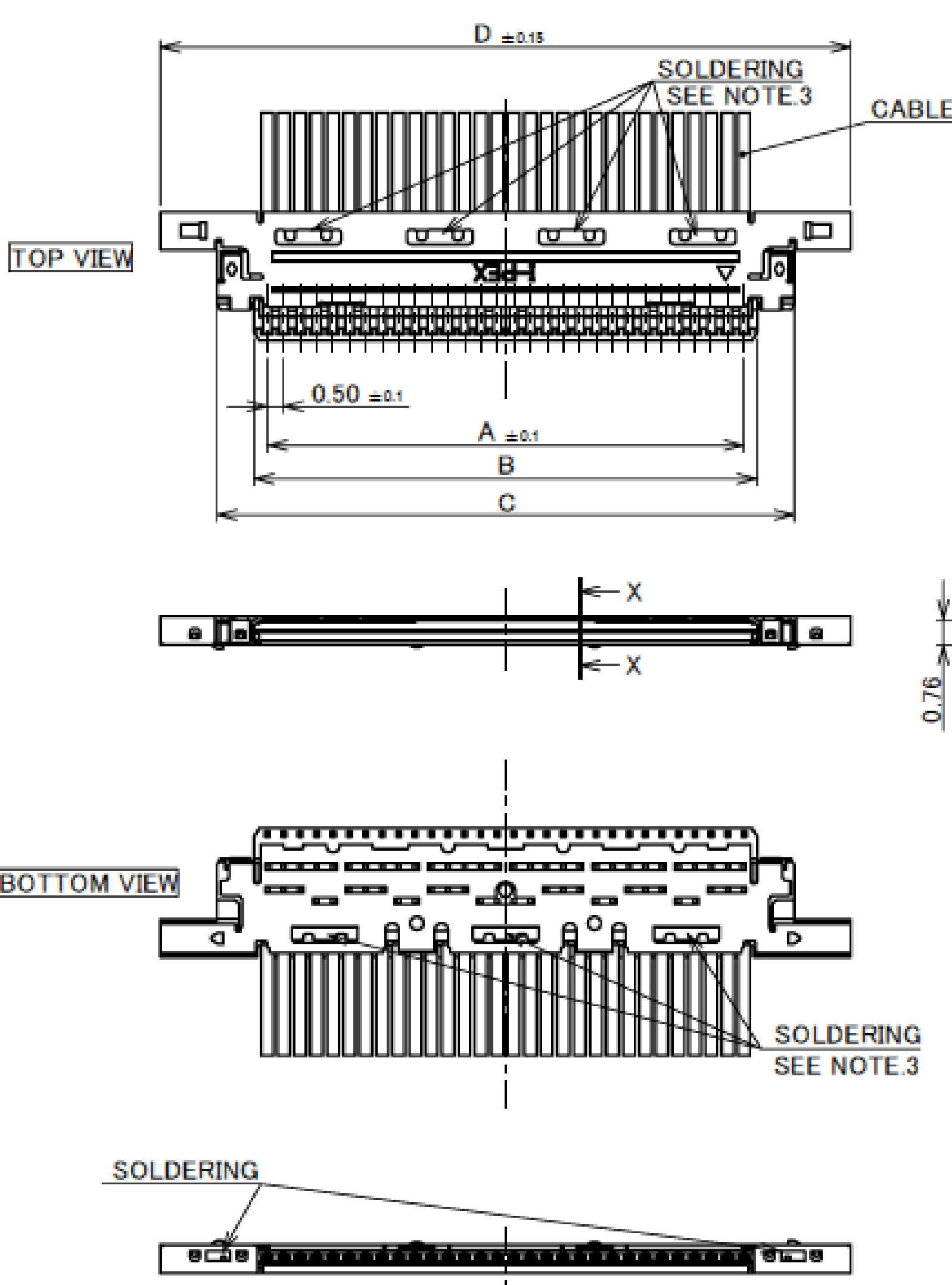
NO.	DISCRPTION	MATERIAL	FINISH . REMARKS
5	PULL-BAR	SUS	
4	SHELL-B	PHOSPHOR BRONZE	SEE ABOVE TABLE.1
3	SHELL-A	PHOSPHOR BRONZE	SEE ABOVE TABLE.1
2	CONTACT	PHOSPHOR BRONZE	SEE ABOVE TABLE.1
1	HOUSING	LCP	UL94V-0, BLACK

- NOTES.
- 1.RECOMMENDED PULL-TAPE
PULL-TAPE : TERAOKA'S INSULATION TAPE No.650S(#50) t=0.08
 - 2.PULL-TAPE CAN BE PUT WITHIN THE RANGE OF "H"(STRAIGHT AREA)
 - 3.SOLDERING IS ONLY A CASE WITH GND-BAR

Rev.37

Recommended P/N		20453-2**T-03(20P/30P/40P)				20453-250T-03S(50P)			
PART NO.	Pos.	A	B	C	D				
20453-#20T-#2	20	9.50	10.30	12.56	16.00				
20453-#30T-#2	30	14.50	15.30	17.56	21.00				
20453-#40T-#2	40	19.50	20.30	22.56	26.00				
20453-#50T-#2S	50	24.50	25.30	27.56	31.00				

WITHOUT PULL-BAR



PART NO.	CABLE ASSY PART NO.	HOUSING ASSY PART NO.	SHELL-A PART NO.	PULL-BAR PART NO.
20453-0**T-#2#		20454-0**T-##	2574-##	-
20453-2**T-#2#		20454-2**T-##	2574-##2	-

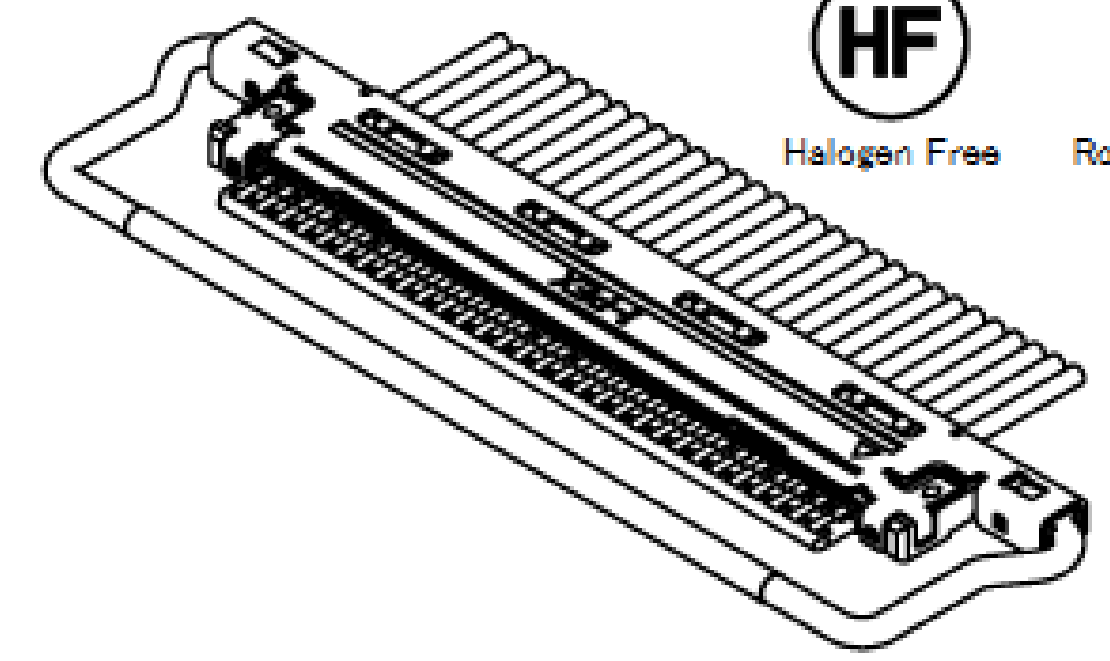
Rev.37

Plug for Cable Assembly

Recommended P/N	20453-2**T-03(20P/30P/40P)	20453-250T-03S(50P)
-----------------	----------------------------	---------------------

PART NO.	Pos.	A	B	C	D	E	G
20453-#20T-#3	20	9.50	10.30	12.56	16.00	16.15	17.55
20453-#30T-#3	30	14.50	15.30	17.56	21.00	21.15	22.55
20453-#40T-#3	40	19.50	20.30	22.56	26.00	26.15	27.55
20453-#50T-#3S	50	24.50	25.30	27.56	31.00	31.15	32.55

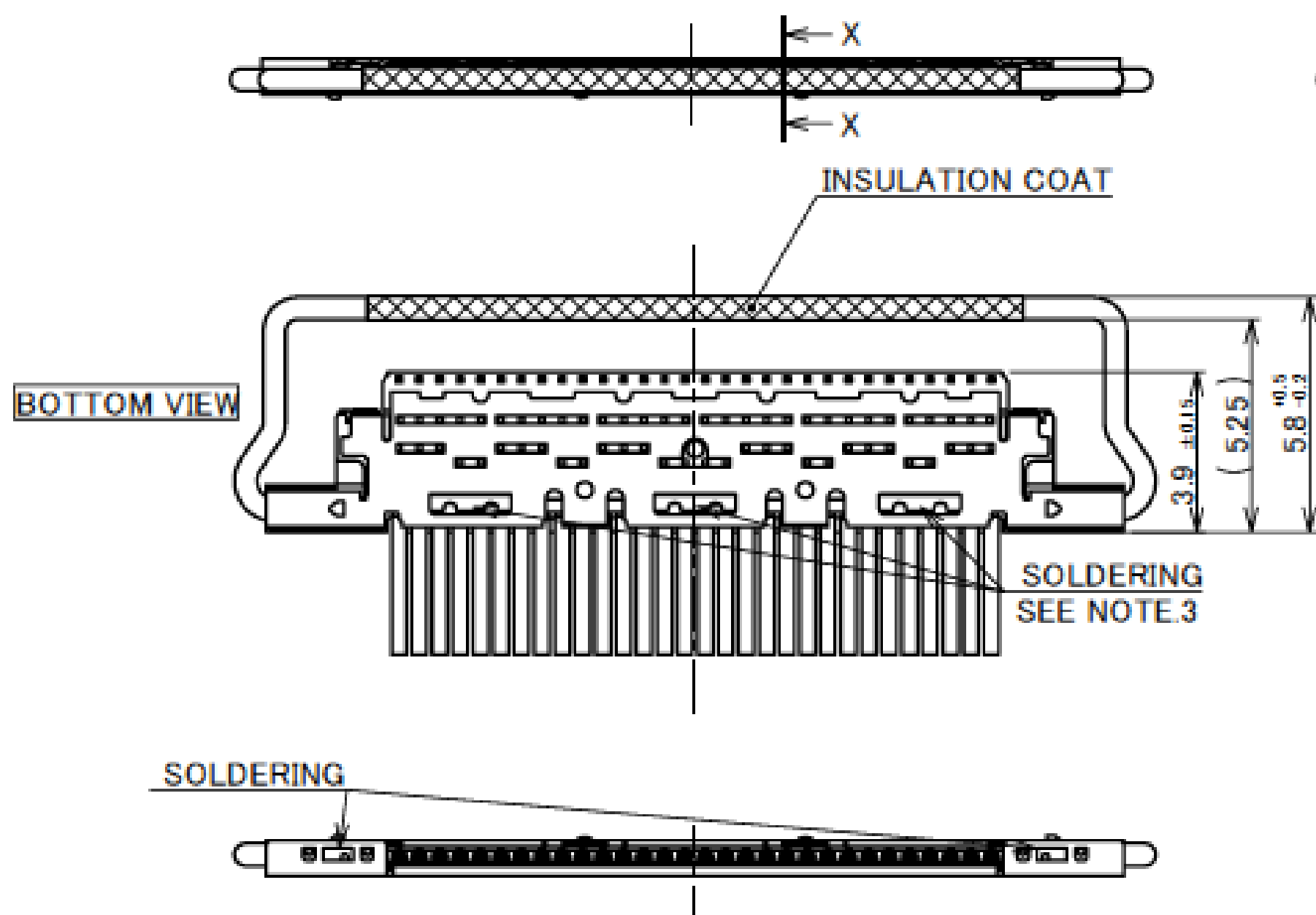
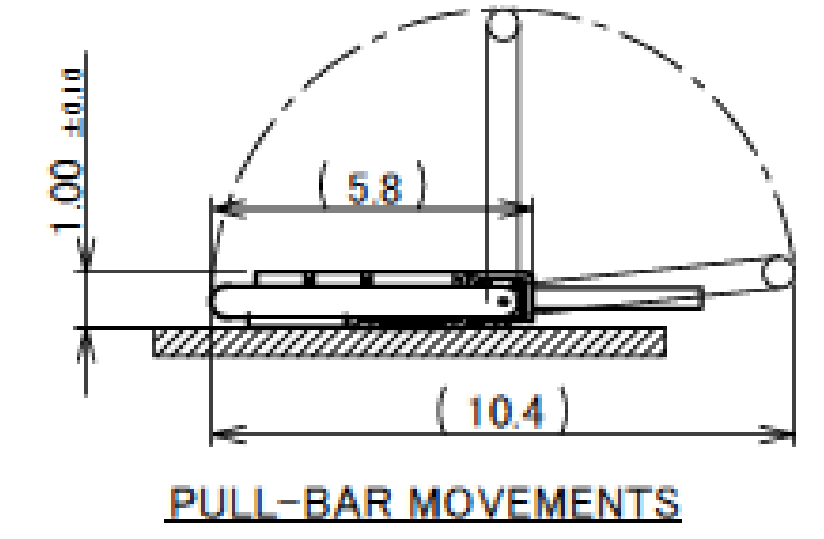
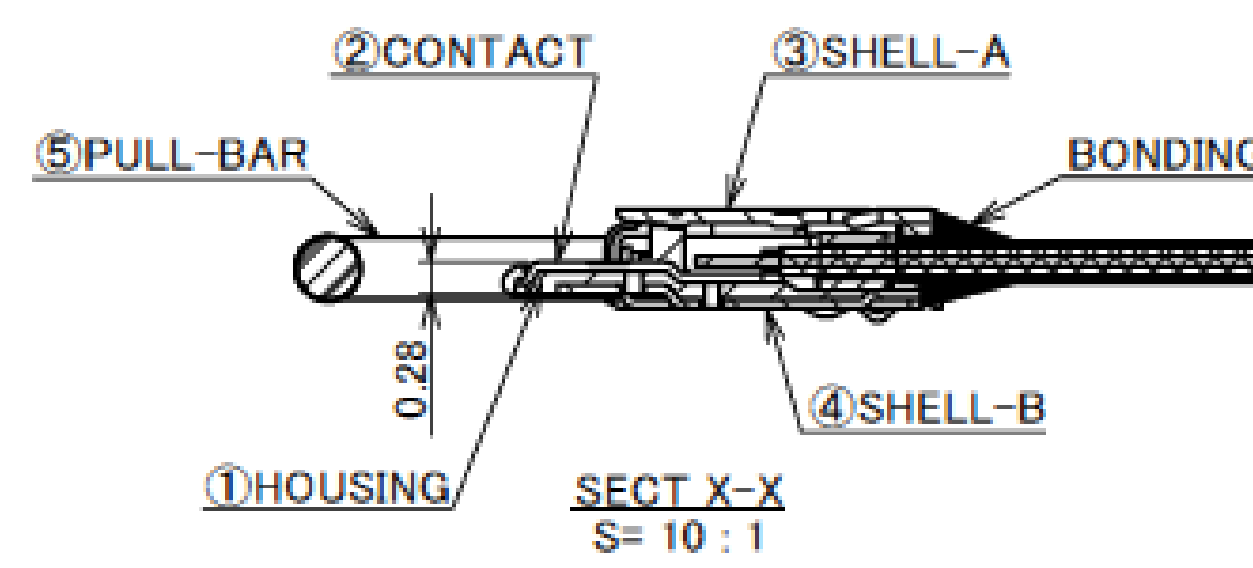
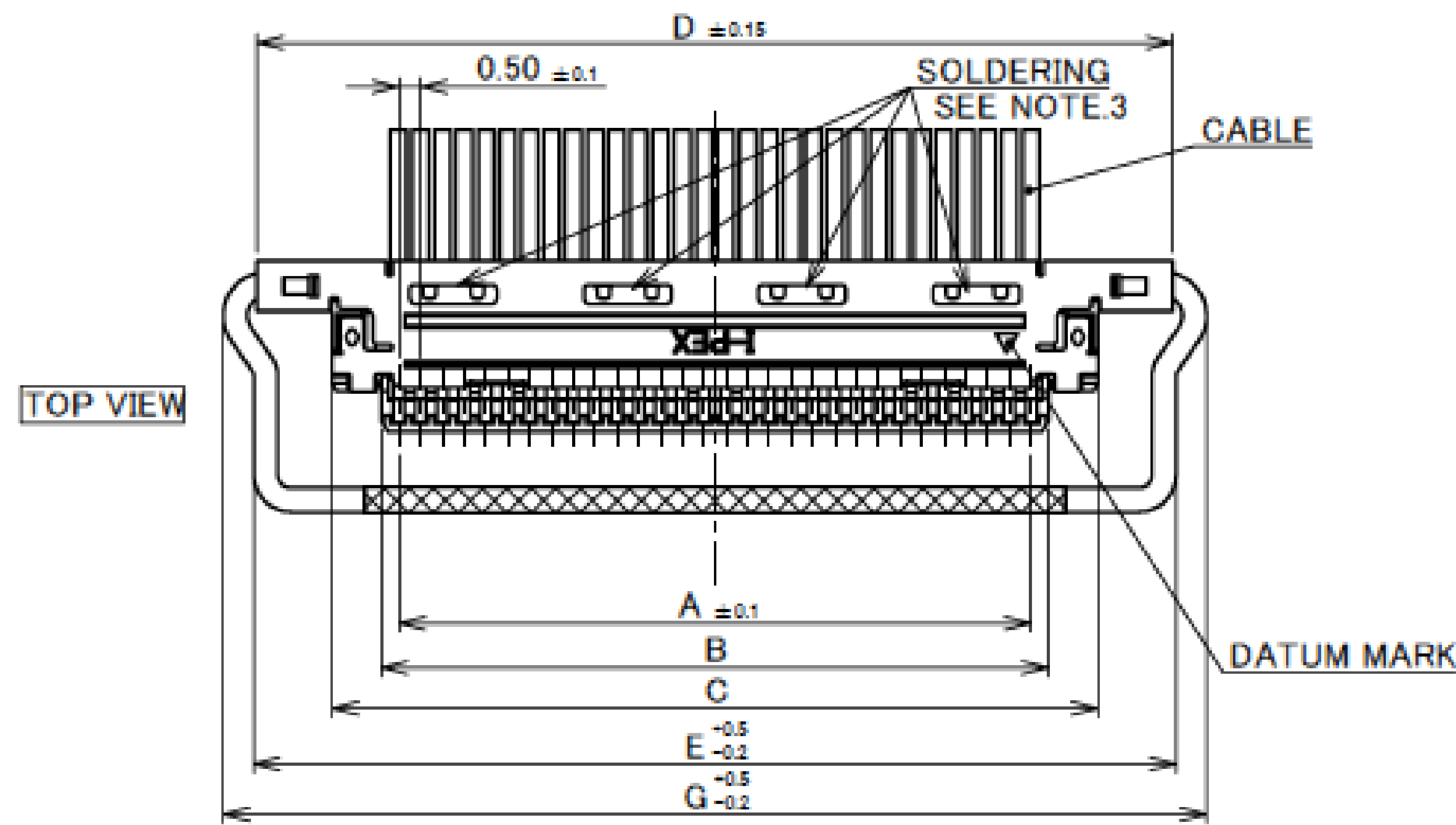
WITH INSULATION COAT PULL-BAR



Halogen Free



RoHS Compliant

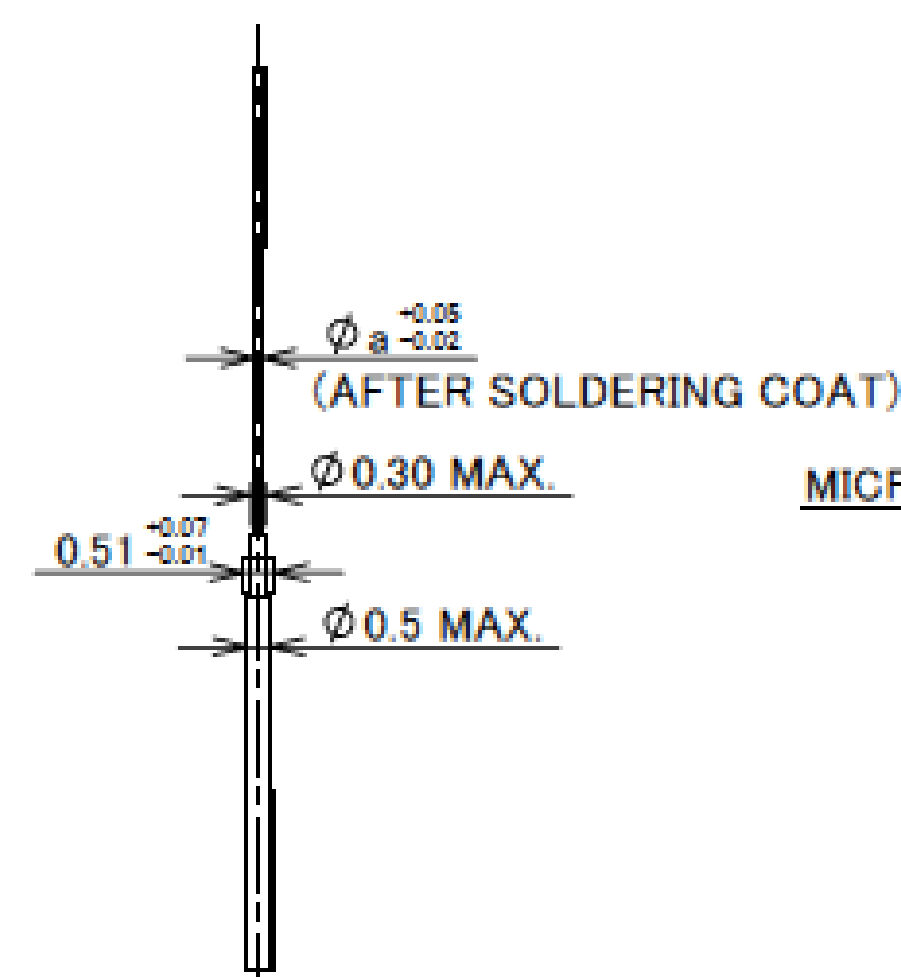
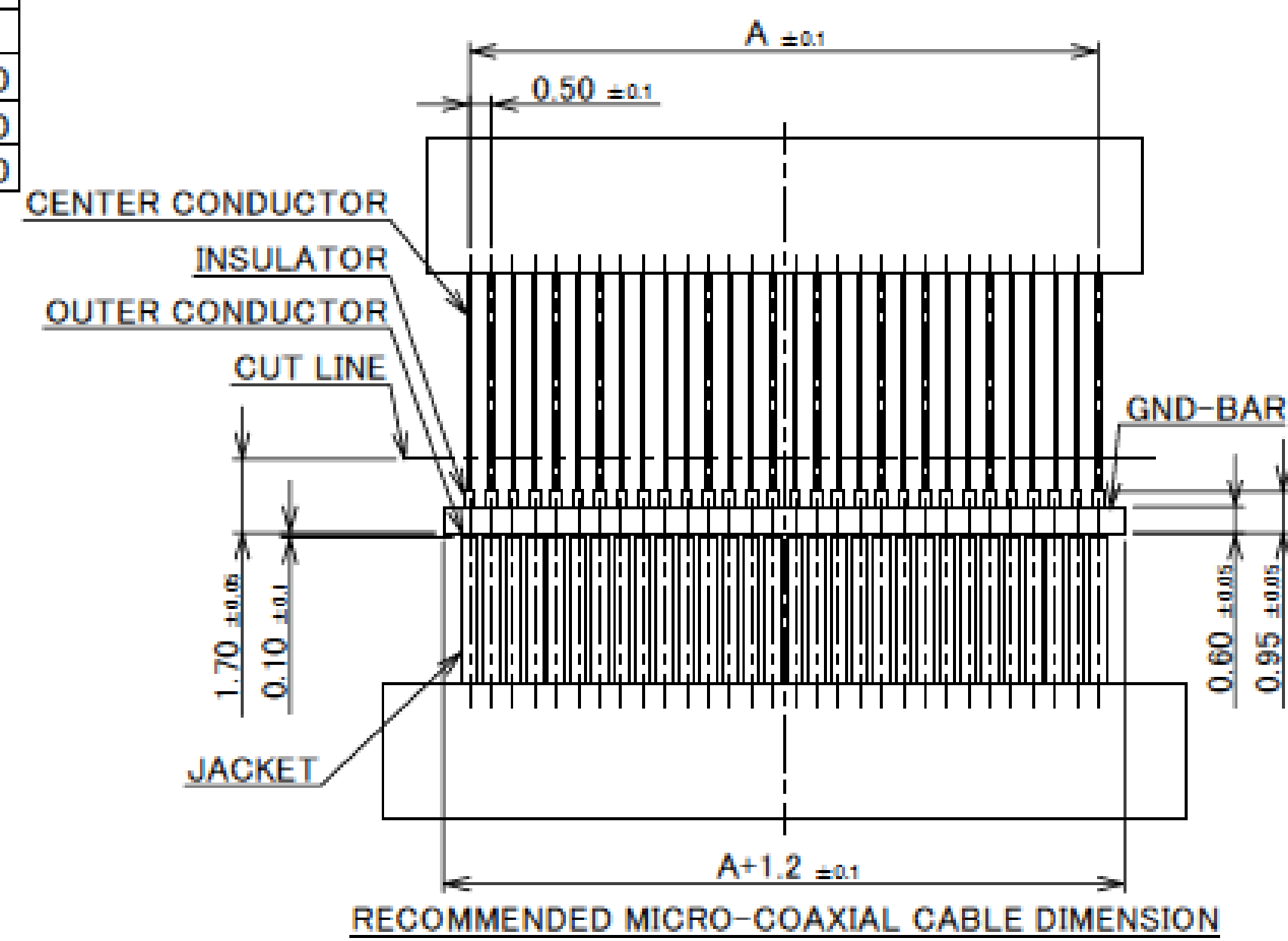


PART NO.

CABLE ASS'Y PART NO.	HOUSING ASS'Y PART NO.	SHELL-A PART NO.	PULL-BAR PART NO.
20453-0**T-#3#	20454-0**T-##	2574-###	2576-1**-00
20453-2**T-#3#	20454-2**T-##	2574-###2	2576-1**-00

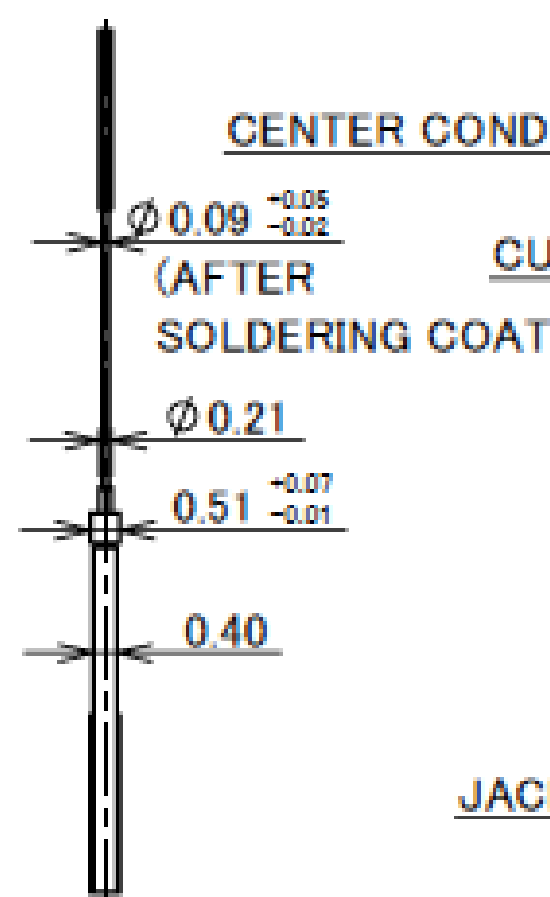
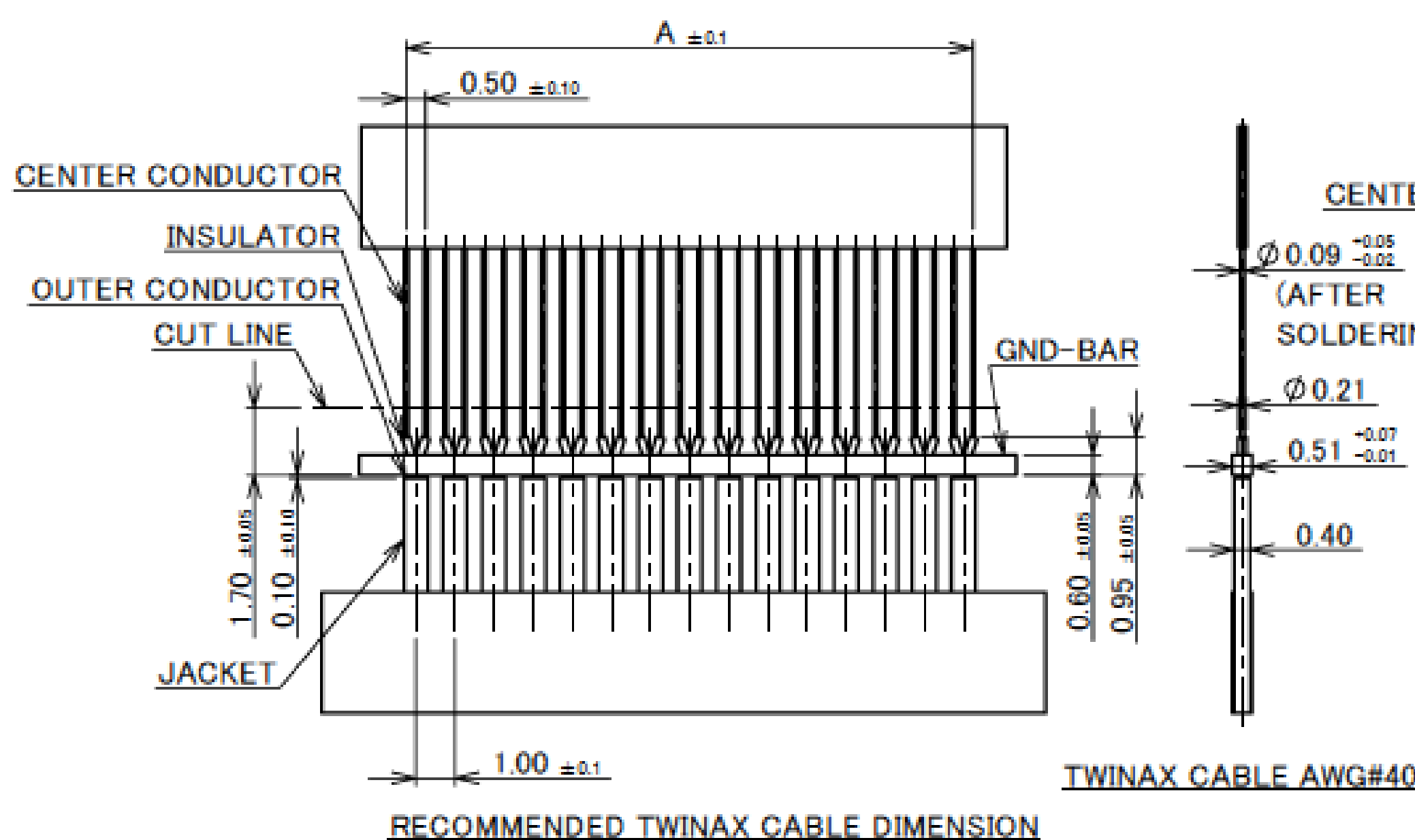
Rev.37

PART NO.	Pos.	A
20453-#20T-##	20	9.50
20453-#30T-##	30	14.50
20453-#40T-##	40	19.50
20453-#50T-##S	50	24.50

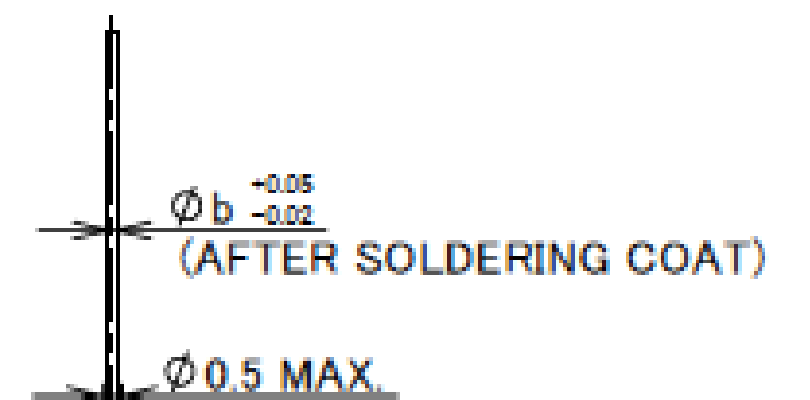
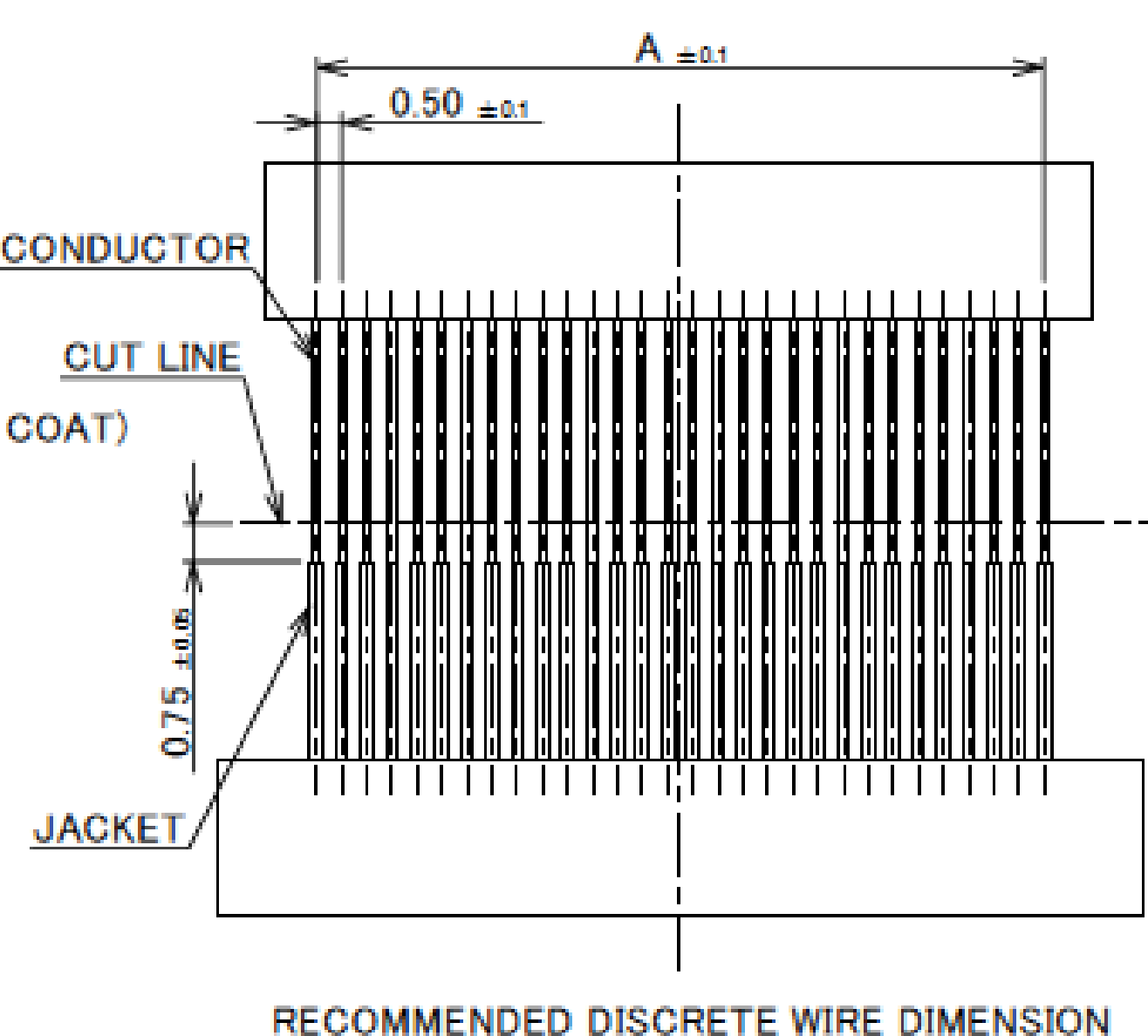


MICRO-COAXIAL CABLE DIMENSION

	a
#36	0.15
#38	0.12
#40	0.09
#42	0.075
#44	0.063



RECOMMENDED TWINAX CABLE DIMENSION



DISCRETE WIRE DIMENSION

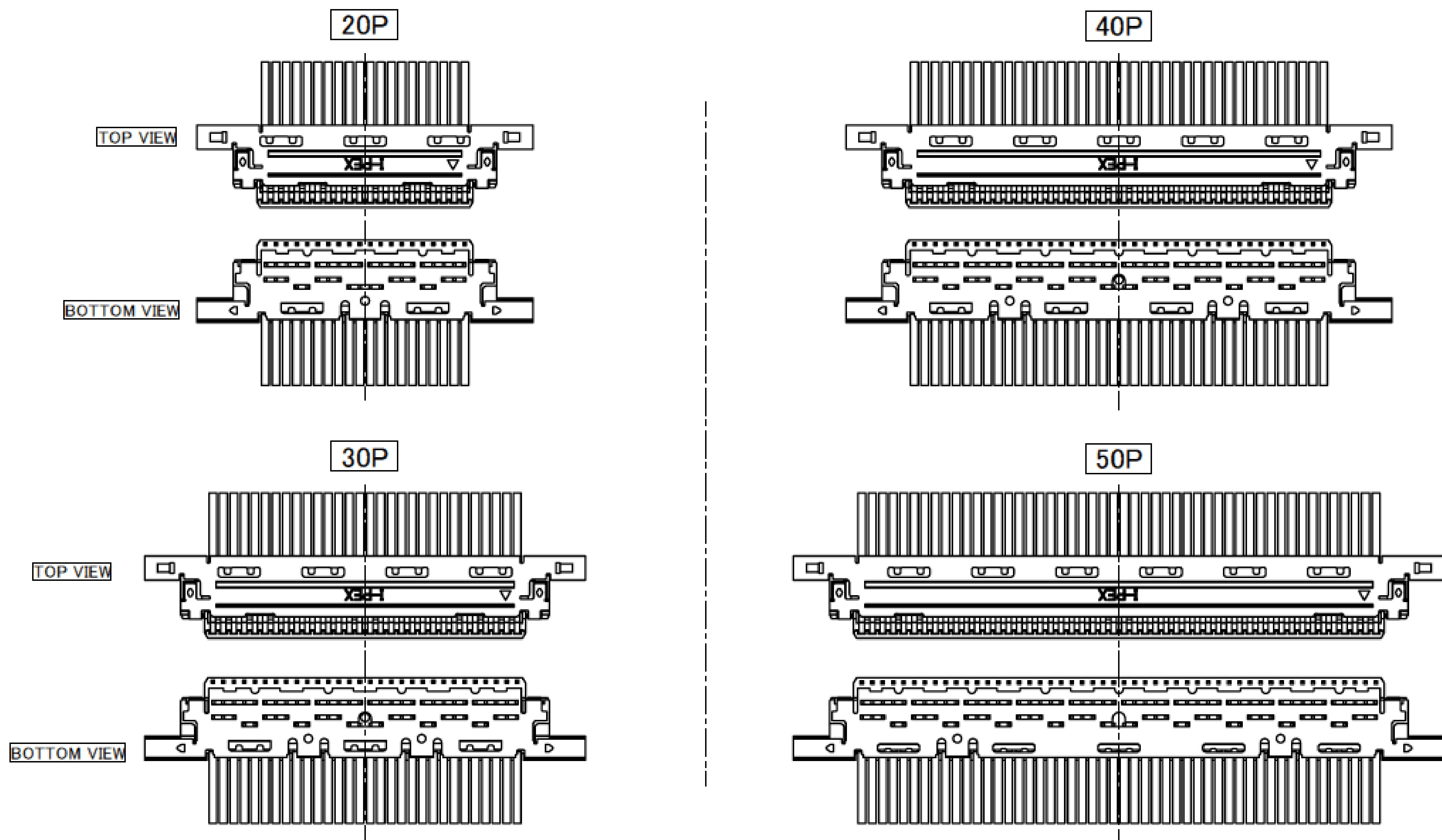
	b
#32	0.24
#34	0.192
#36	0.15

DISCRETE WIRE AWG##

Rev.37

Plug for Cable Assembly

THE EXTERNAL APPEARANCE



Rev.37

ITEMS	SPECIFICATION
APPLICABLE CABLE	MICRO-COAXIAL CABLE : AWG# 44, 42, 40, 38, 36 DISCRETE WIRE : AWG# 36, 34, 32 TWINAX CABLE : AWG# 40
RATING VOLTAGE	100V AC (PER CONTACT PIN) ※THIS IS THE RATED VOLTAGE OF THE CONNECTOR. PLEASE NOTE THAT THE RATED VOLTAGE MAY VARY IN THE HARNESS DEPENDING ON THE CABLES USED.
RATING AMPERAGE (FOR CONTACT)	0.1A AC/DC [AWG#44] PER CONTACT PIN/UP TO 50 CONTACTS 0.24A AC/DC [AWG#42] PER CONTACT PIN/UP TO 50 CONTACTS 0.3A AC/DC [AWG#40] PER CONTACT PIN/UP TO 50 CONTACTS 0.5A AC/DC [AWG#38] PER CONTACT PIN/UP TO 14 CONTACTS 0.8A AC/DC [AWG#36] PER CONTACT PIN/UP TO 10 CONTACTS 1.0A AC/DC [AWG#34] PER CONTACT PIN/UP TO 6 CONTACTS 1.0A AC/DC [AWG#32] PER CONTACT PIN/UP TO 6 CONTACTS TESTING BY A REAL MACHINE IS RECOMMENDED BECAUSE TEMPERATURE RISE MAY AFFECTED BY ACTUAL SITUATION.
OPERATING TEMPERATURE	233~358K(-40°C~+85°C)
OPERATING HUMIDITY	85% MAX.
CONTACT RESISTANCE	INITIAL : 140mohm MAX.(AWG#32) / AFTER TEST : Δ40mohm MAX. 180mohm MAX.(AWG#34) 275mohm MAX.(AWG#36) 360mohm MAX.(AWG#38) 600mohm MAX.(AWG#40) 700mohm MAX.(AWG#42) 1080mohm MAX.(AWG#44)
GROUND SHELL RESISTANCE	INITIAL : 50mohm MAX. / AFTER TEST : Δ40mohm MAX.
INSULATION RESISTANCE	INITIAL : 1000Mohm MIN. / AFTER TEST : 500Mohm MIN.
DIELECTRIC WITHSTANDING VOLTAGE	AC250V 1min
DURABILITY	30 CYCLES
MATING FORCE (INITIAL / AFTER TEST)	20P : 9.45N MAX. 30P : 12.15N MAX. 40P : 16.20N MAX. 50P : 20.25N MAX.
UNMATING FORCE (INITIAL / AFTER TEST)	20P : 2.0N MIN. 30P : 3.0N MIN. 40P : 4.0N MIN. 50P : 5.0N MIN.
CABLE RETENTION FORCE	20P : 9.80N MIN. 30P : 14.70N MIN. 40P : 19.60N MIN. 50P : 24.50N MIN.
PRODUCT SPECIFICATION	PRS-1427
TEST REPORT	TR-08047 (20453-0**T-###) / TR-13084 (20453-2**T-###)
INSTRUCTION MANUAL	HIM-08004
ASSEMBLY MANUAL	ASM-08003
APPEARANCE CRITERIA No.	QLS-A***

Rev.37

Plug Housing Assembly

Recommended P/N		20454-2**T							
PART NO.	Pos.	A	B	C	D	E	F	G	H
20454-#20T	20	9.50	10.30	12.56	10.20	10.55	11.00	16.00	-
20454-#30T	30	14.50	15.30	17.56	15.20	15.55	16.00	21.00	5.40
20454-#40T	40	19.50	20.30	22.56	20.20	20.55	21.00	26.00	10.40

20454-#**T : STANDARD

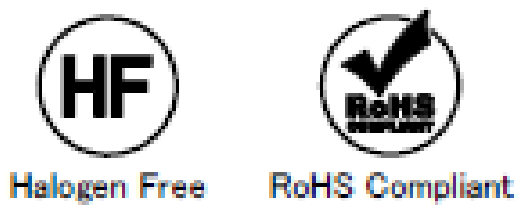
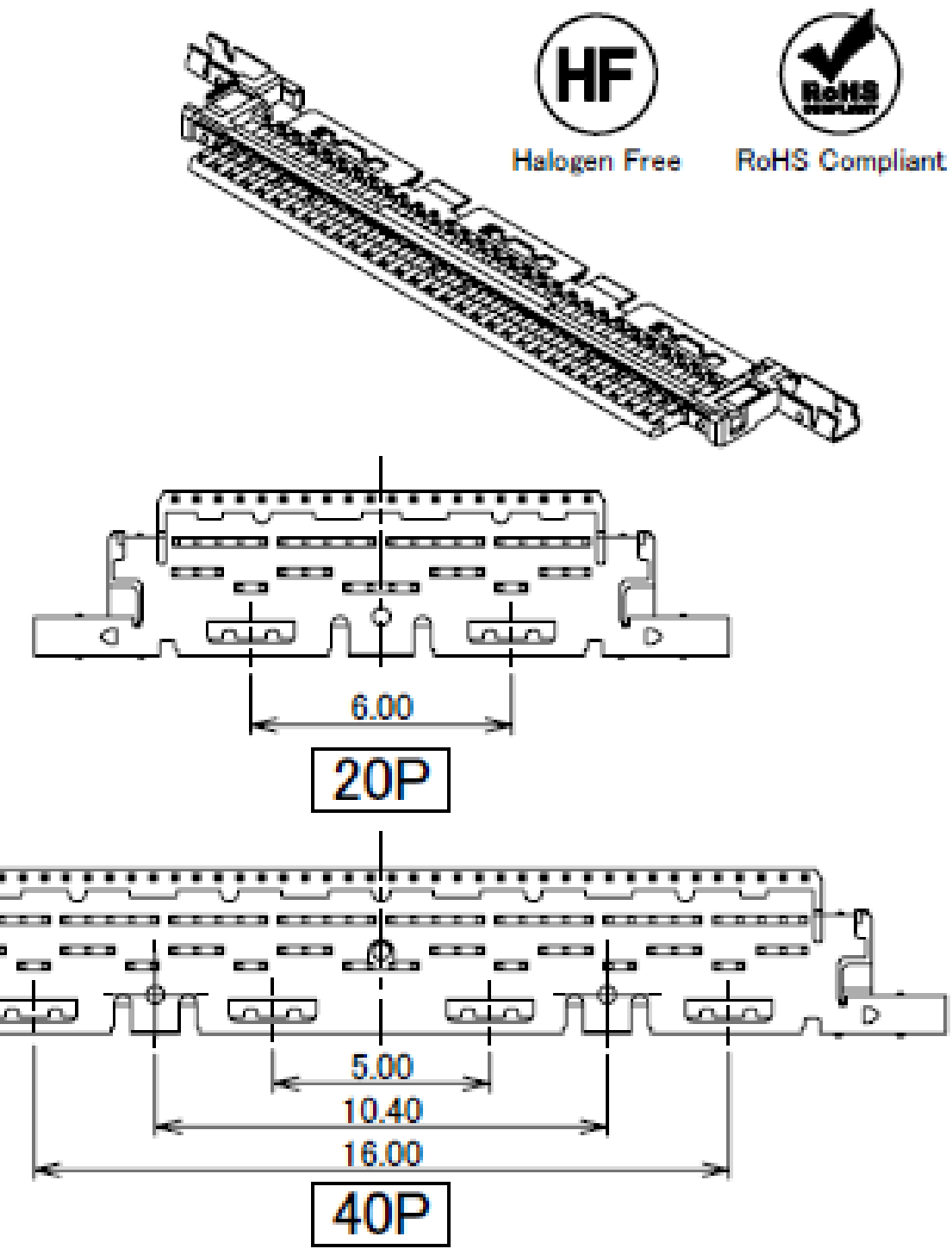
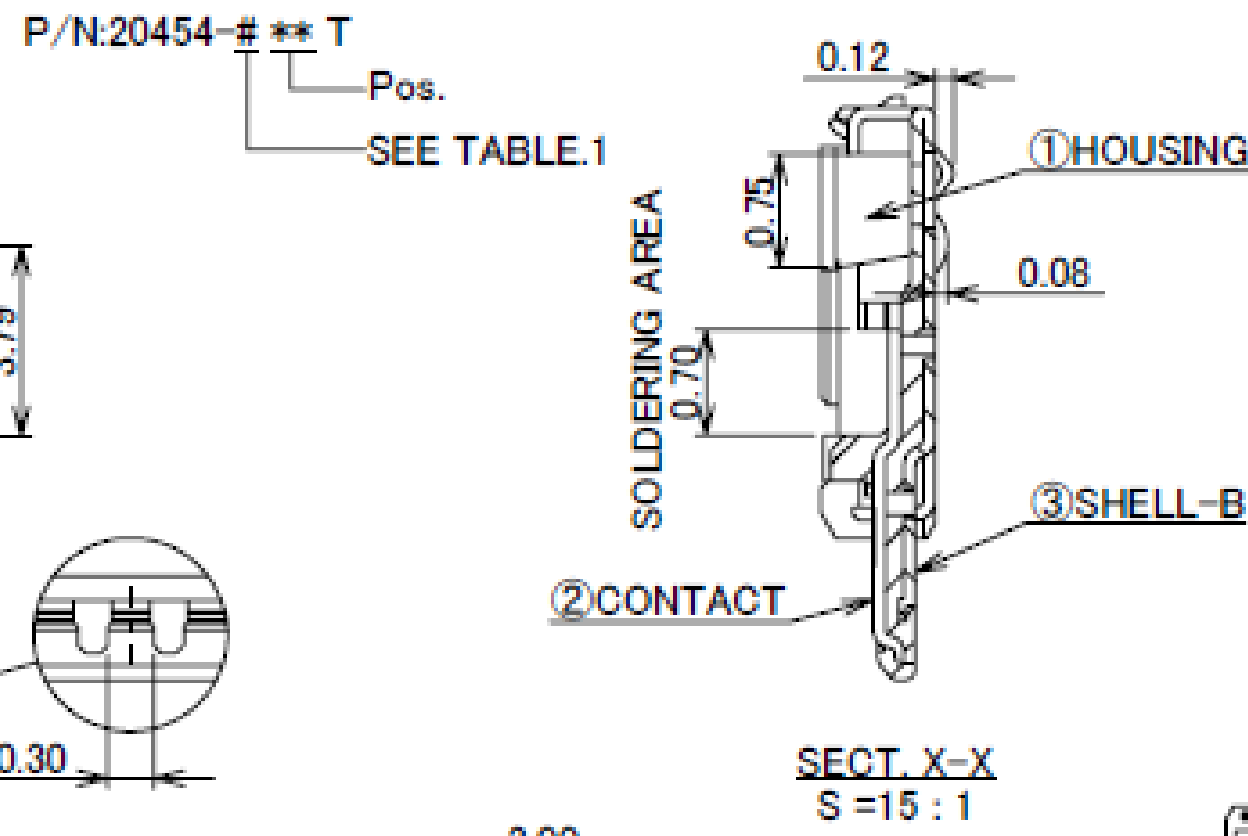
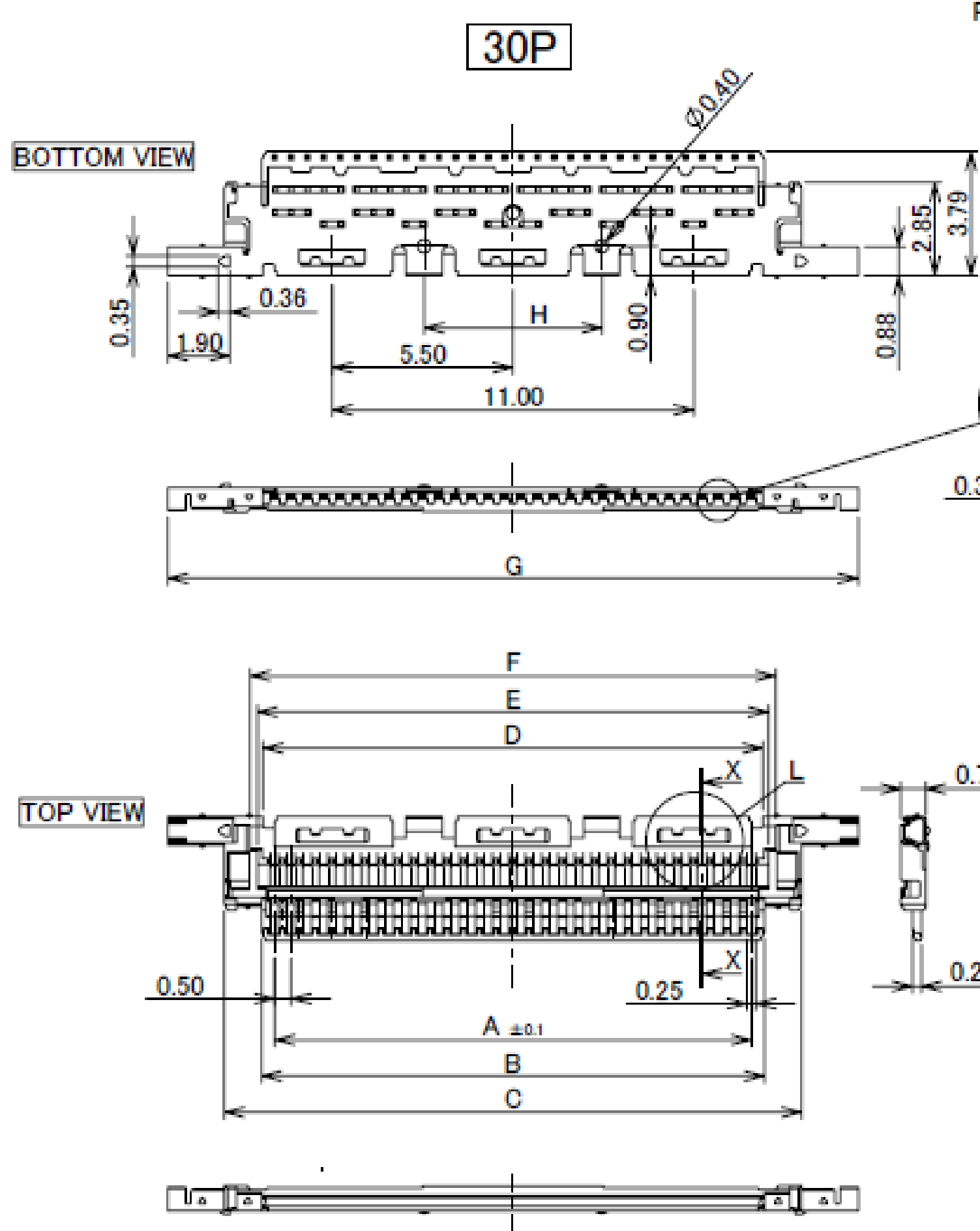


TABLE 1

PART NO.	CONTACT FINISH	SHELL-B FINISH
20454-0**T	CONTACT AREA : Au 0.1 μm MIN. OVER Ni 1.00 μm MIN. SOLDERING AREA : Au 0.05 μm MIN. OVER Ni 1.00 μm MIN.	TOP SIDE : Au 0.015 μm MIN. OVER Ni 1.00 μm MIN. BOTTOM SIDE : Au 0.05 μm MIN. OVER Ni 1.00 μm MIN.
20454-2**T	CONTACT AREA : Au 0.1 μm MIN. OVER Ni 1.00 μm MIN. SOLDERING AREA : Au 0.05 μm MIN. OVER Ni 1.00 μm MIN.	TOP SIDE : Ni 1.00 μm MIN. (THERE IS THE POSSIBILITY THAT Au ATTACHES RANDOMLY) BOTTOM SIDE : Au 0.03 μm MIN. OVER Ni 1.00 μm MIN.

NO.	DISCRIPTION	MATERIAL	FINISH , REMARKS
3	SHELL B	PHOSPHOR BRONZE	SEE ABOVE TABLE 1
2	CONTACT	PHOSPHOR BRONZE	SEE ABOVE TABLE 1
1	HOUSING	LCP	UL94V-0, BLACK

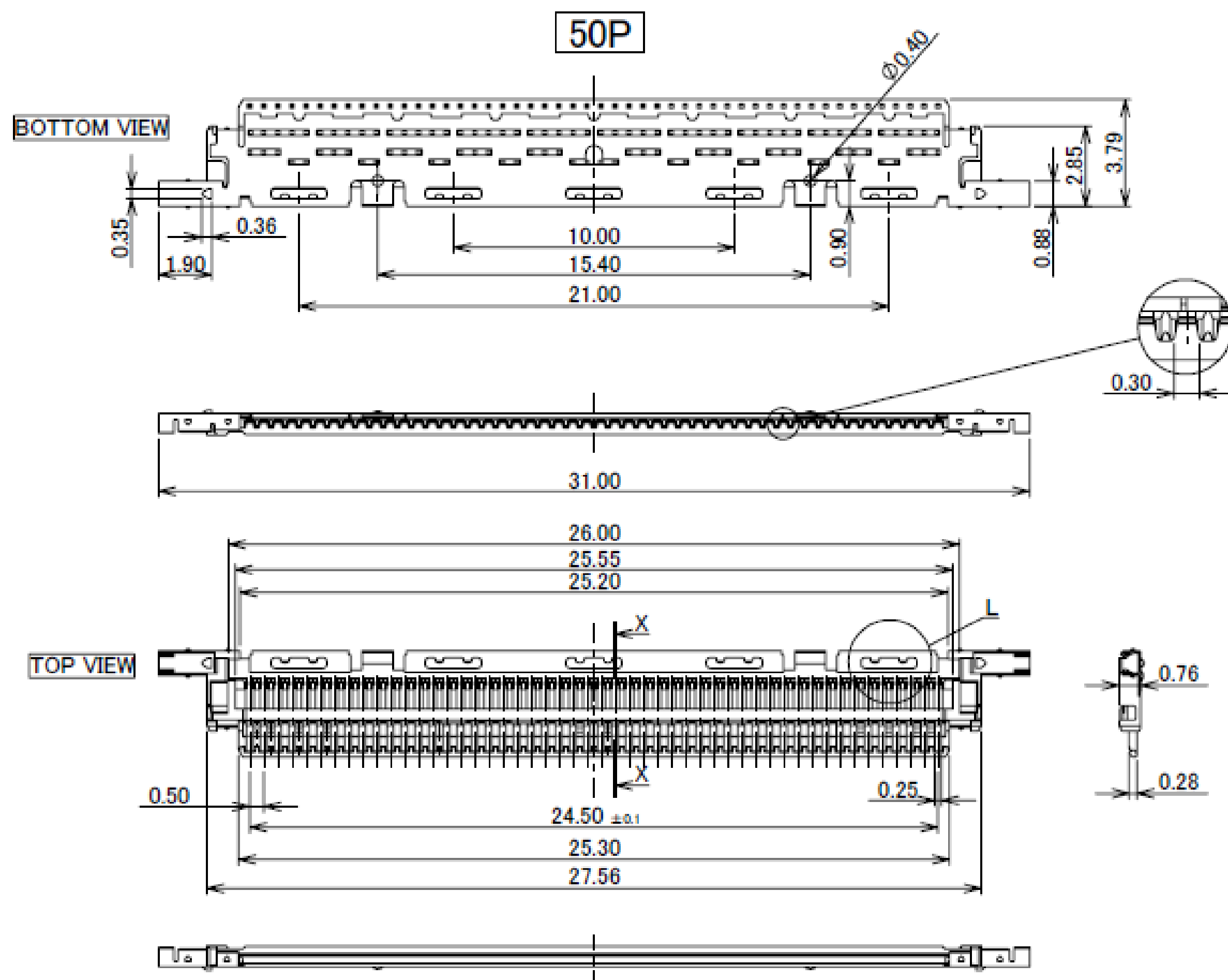
NOTES.

1. THIS PART IS ASSEMBLED WITH SHELL-A (P/N:2574-#**) AFTER SOLDERED THE CABLE, AND IT BECOMES P/N:20453-#**T-#**.
 THIS PART IS ASSEMBLED WITH SHELL-A type-H (P/N:2699-#40) AFTER SOLDERED THE CABLE, AND IT BECOMES P/N:20508-040T-#*.
 THIS PART IS ASSEMBLED WITH SHELL-A (P/N:2574-#**) AND ALIGNMENT COVER (P/N:2658-0**) AFTER SOLDERED THE CABLE, AND IT BECOMES P/N:20492-1**T.

Rev.20

Recommended P/N		20454-250T-01	
PART NO.	Pos.		
20454-#50T-01	50		

20454-#50T-01 : TYPE-i



P/N:20454-# 50 T-01
Pos.
SEE TABLE 2

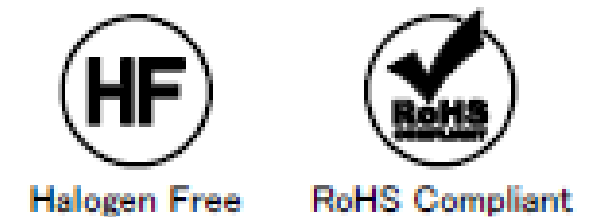
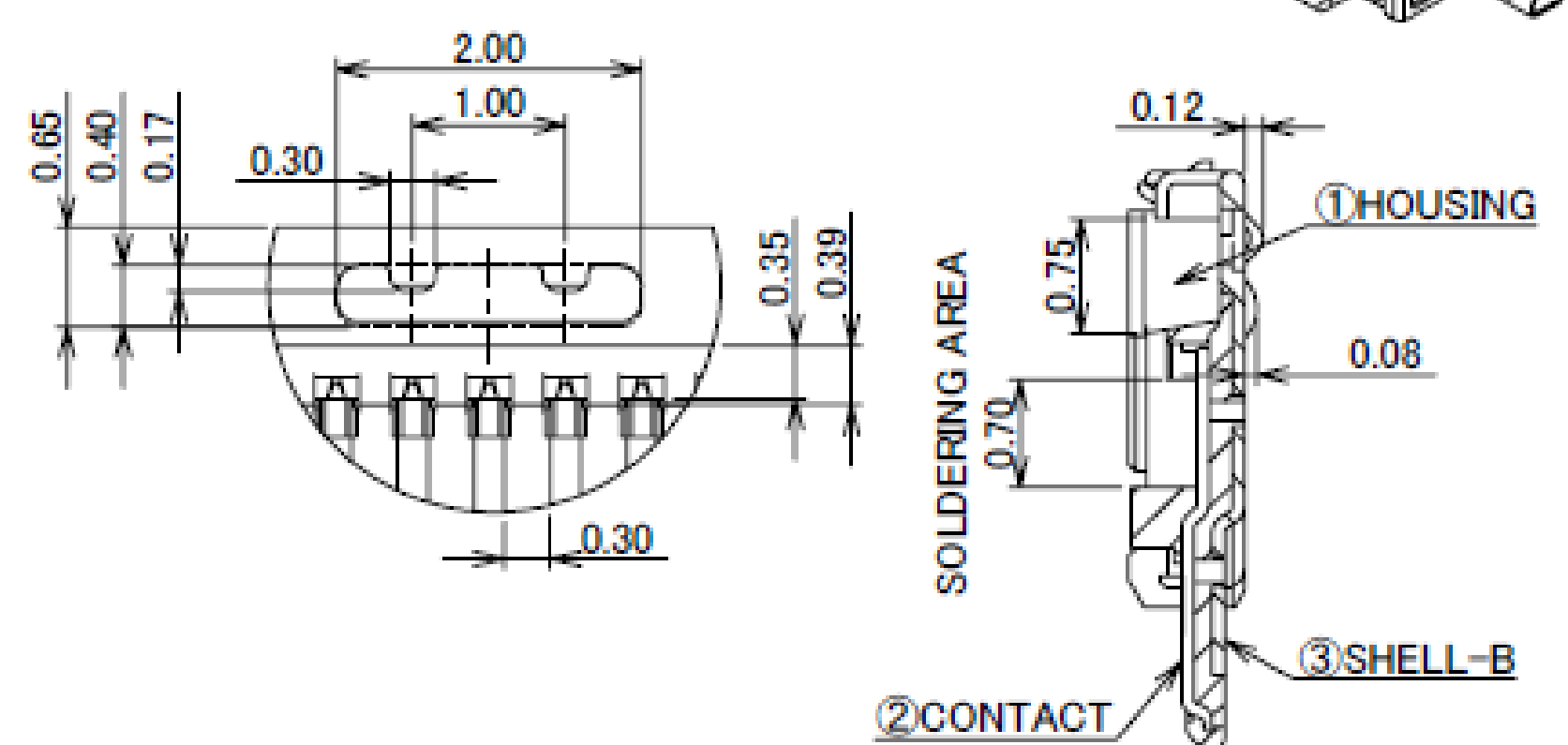


TABLE 2

PART NO.	CONTACT FINISH	SHELL-B FINISH
20454-0**T-01	CONTACT AREA : Au 0.1 μm MIN. OVER Ni 1.00 μm MIN. SOLDERING AREA : Au 0.05 μm MIN. OVER Ni 1.00 μm MIN.	TOP SIDE : Au 0.015 μm MIN. OVER Ni 1.00 μm MIN. BOTTOM SIDE : Au 0.05 μm MIN. OVER Ni 1.00 μm MIN.
20454-2**T-01	CONTACT AREA : Au 0.1 μm MIN. OVER Ni 1.00 μm MIN. SOLDERING AREA : Au 0.05 μm MIN. OVER Ni 1.00 μm MIN.	TOP SIDE : Ni 1.00 μm MIN. (THERE IS THE POSSIBILITY THAT Au ATTACHES RANDOMLY) BOTTOM SIDE : Au 0.03 μm MIN. OVER Ni 1.00 μm MIN.

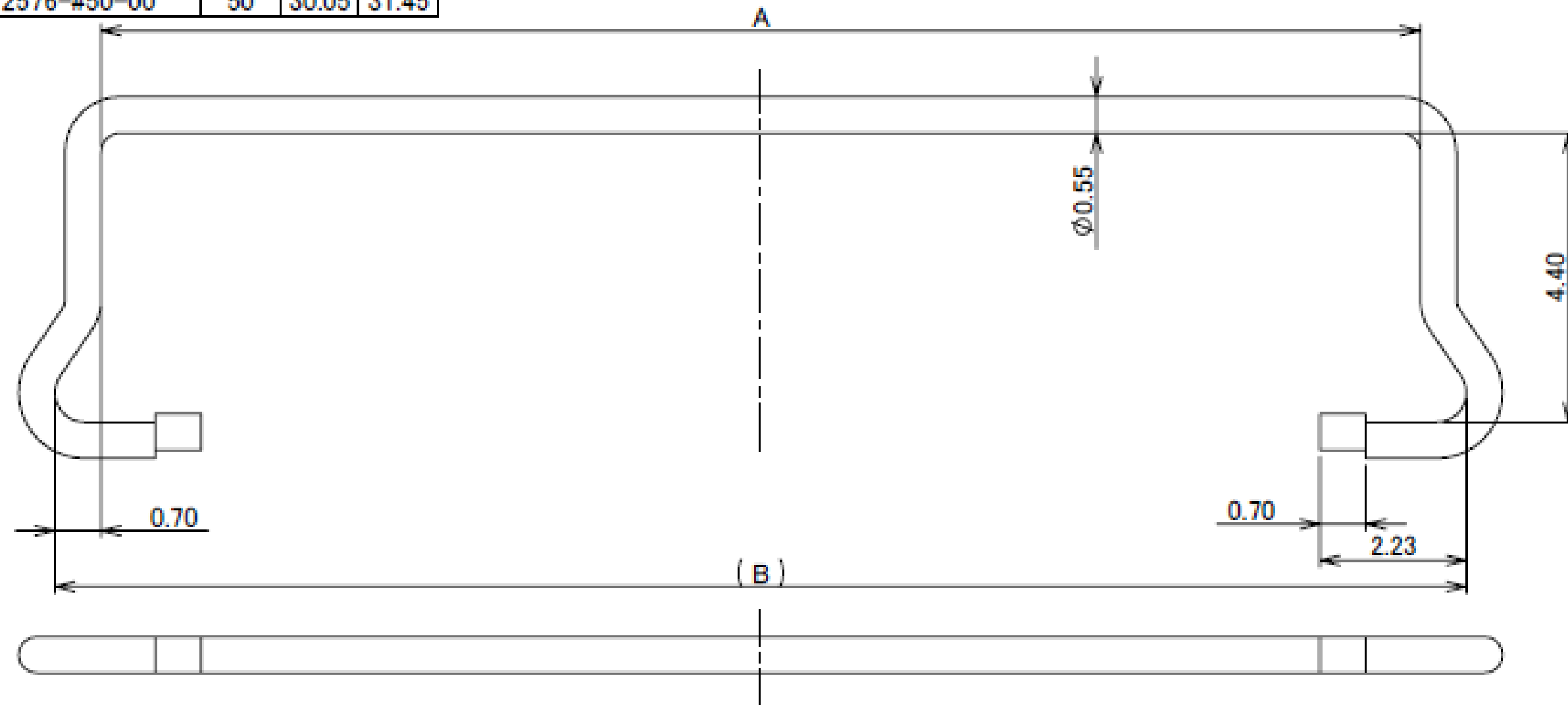
NO.	DISCRIPTION	MATERIAL	FINISH , REMARKS
3	SHELL B	PHOSPHOR BRONZE	SEE ABOVE TABLE 2
2	CONTACT	PHOSPHOR BRONZE	SEE ABOVE TABLE 2
1	HOUSING	LCP	UL94V-0, BLACK

Rev.20

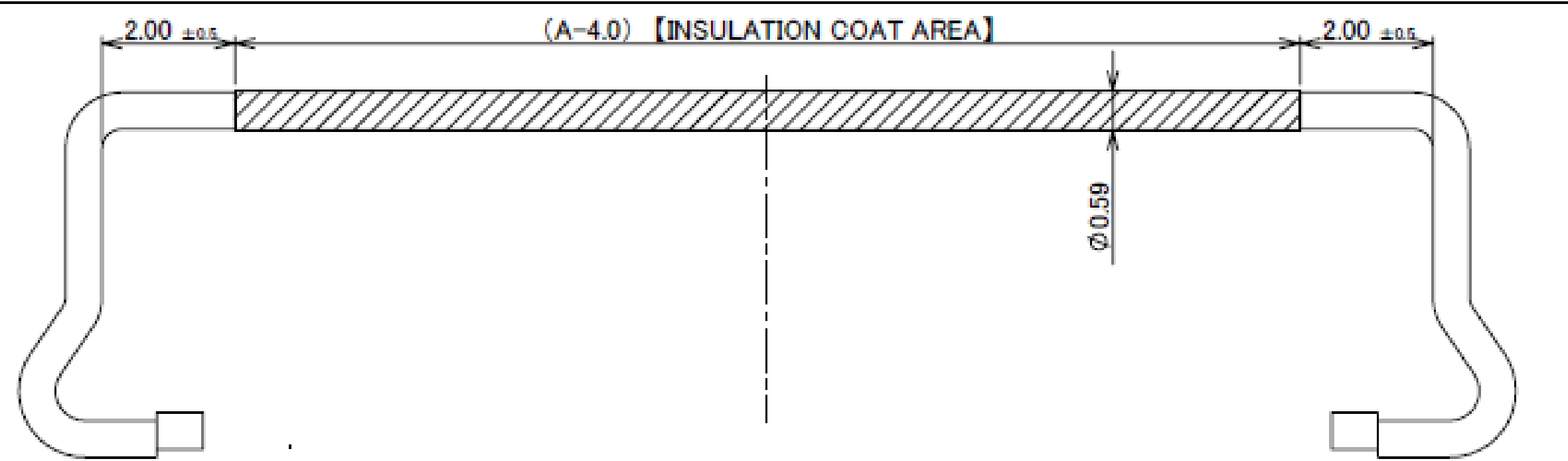
Pull Bar

Recommended P/N		2576-1**-00	
PART NO.	Pos.	A	B
2576-#20-00	20	15.05	16.45
2576-#30-00	30	20.05	21.45
2576-#40-00	40	25.05	26.45
2576-#50-00	50	30.05	31.45

2576-0**-00



P/N: 2576-#**-00
 POS.
 0 : WITHOUT INSULATION COAT
 1 : WITH INSULATION COAT



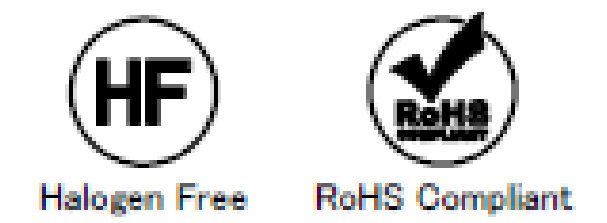
2576-1**-00

NO.	DISCRIPTION	MATERIAL	FINISH , REMARKS
1	PULL BAR	SUS	-

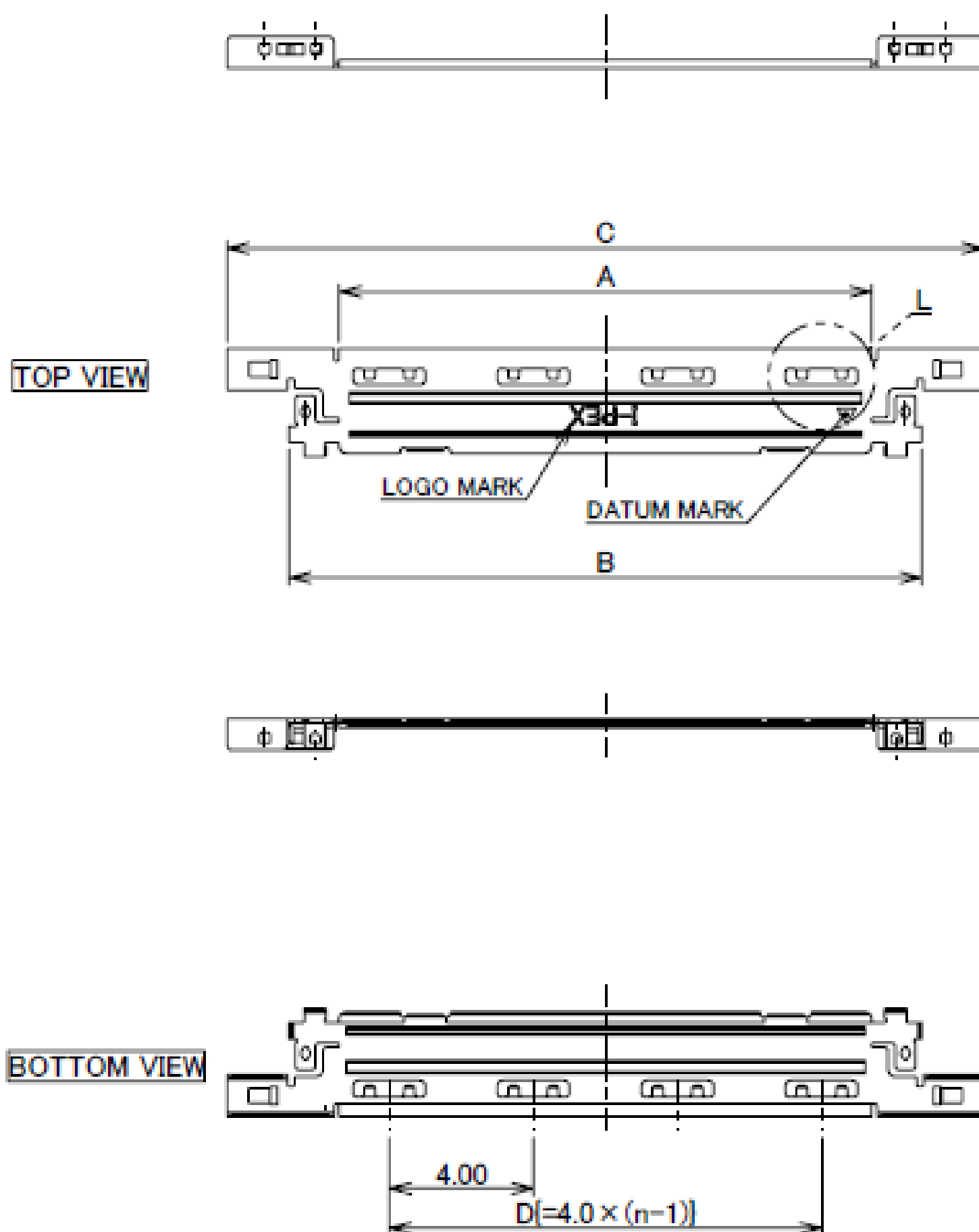
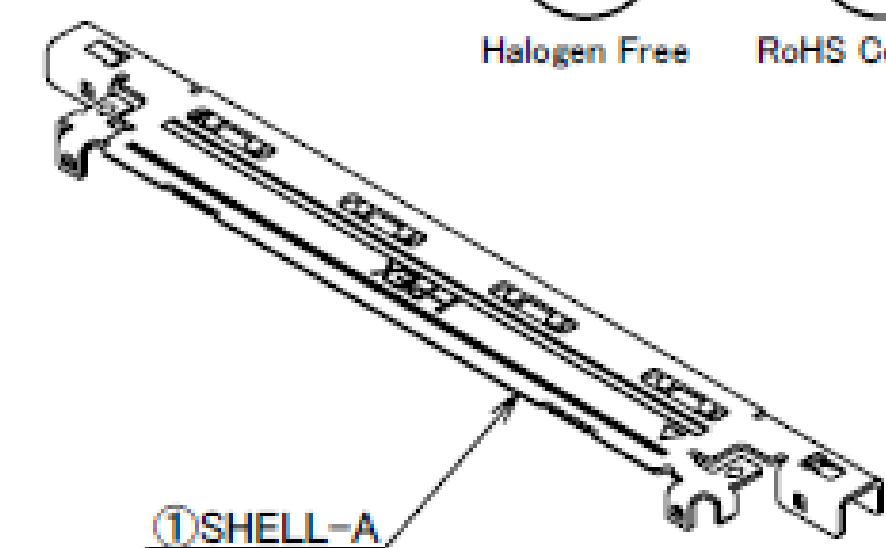
Rev.15

Shell-A

Recommended P/N		2574-0**2			
PART NO.	Pos.	A	B	C	D
2574-#20#	20	9.78	12.56	16.00	8.00 [= 4.0 × (3-1)]
2574-#30#	30	14.78	17.56	21.00	12.00 [= 4.0 × (4-1)]
2574-#40#	40	19.78	22.56	26.00	16.00 [= 4.0 × (5-1)]
2574-#50#	50	24.78	27.56	31.00	20.00 [= 4.0 × (6-1)]



P/N:2574-#**#
 SEE TABLE.1
 Pos.
 0 : WITH DATUM MARK
 1 : WITHOUT DATUM MARK



DETAIL L
S= 15:1

TABLE.1

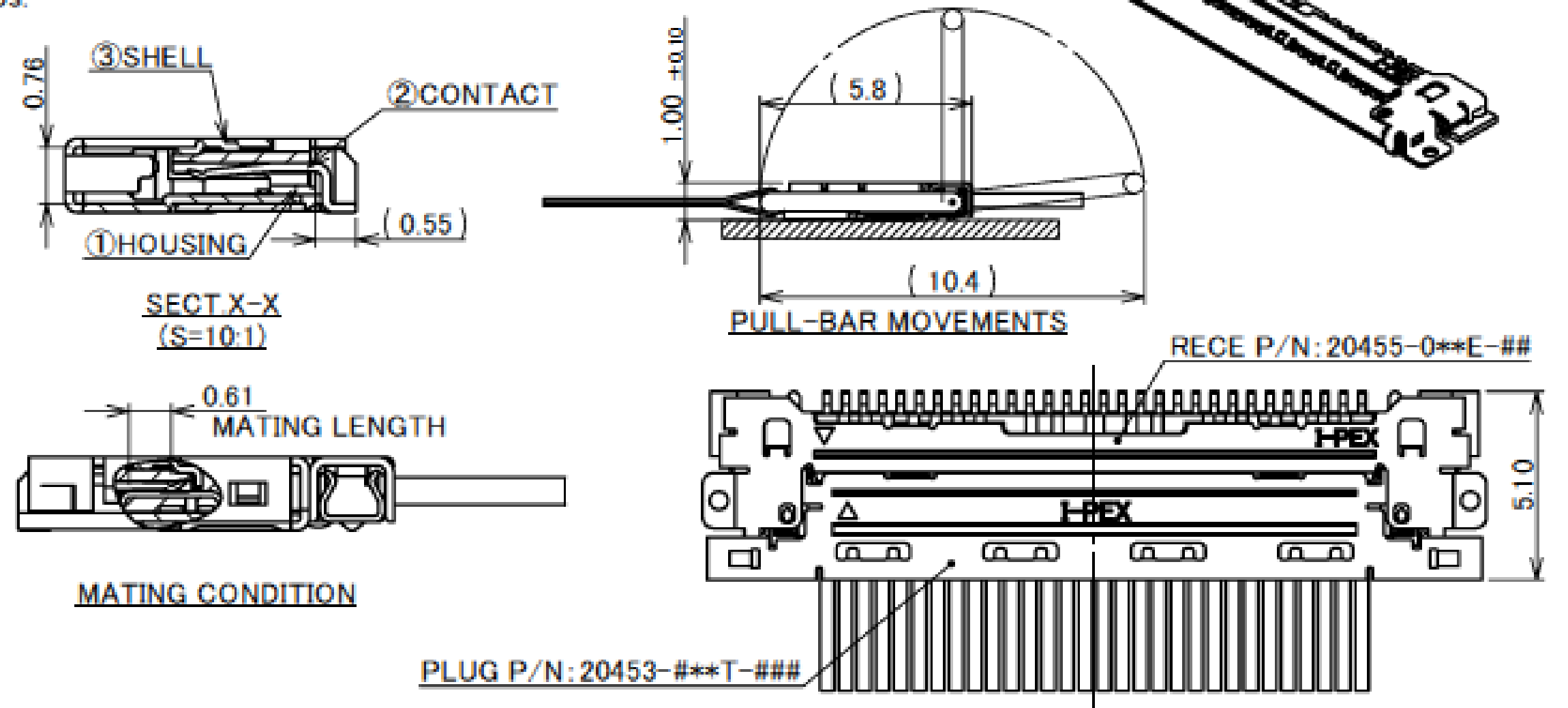
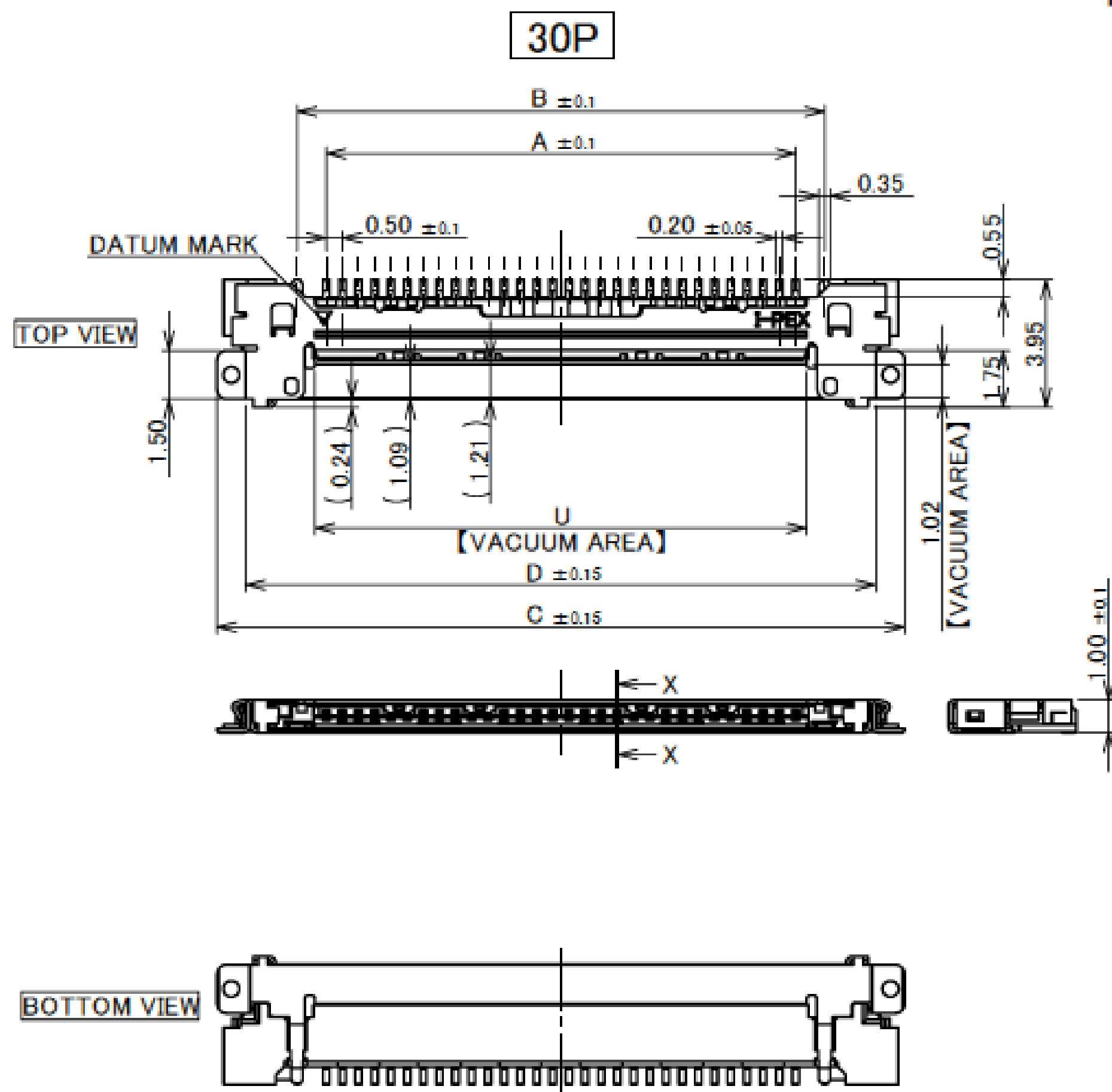
PART NO.	SHELL-A FINISH
2574-***	TOP SIDE : Au 0.05 μm MIN. OVER Ni 1.00 μm MIN. BOTTOM SIDE : Au 0.075 μm MIN. OVER Ni 1.00 μm MIN.
2574-***2	TOP SIDE : Au 0.03 μm MIN. OVER Ni 1.00 μm MIN. BOTTOM SIDE : Ni 1.00 μm MIN. (THERE IS THE POSSIBILITY THAT Au ATTACHES RANDOMLY)

NO.	DISCRIPTION	MATERIAL	FINISH , REMARKS
1	SHELL A	PHOSPHOR BRONZE	SEE ABOVE TABLE.1

Rev.15

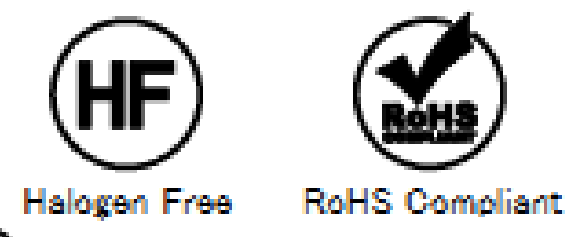
Receptacle Assembly

Recommended P/N		20455-0**E-76 (30P/40P/50P)					20455-A20E-76 (20P)	
PART NO.	Pos.	A	B	C	D	U		
20455-020E-#2	20	9.50	11.30	16.25	14.47	10.20	P/N:20455-0**E-##	SEE TABLE.1
20455-030E-##	30	14.50	16.30	21.25	19.47	15.20		
20455-040E-##	40	19.50	21.30	26.25	24.47	20.20		
20455-050E-##	50	24.50	26.30	31.25	29.47	25.20		



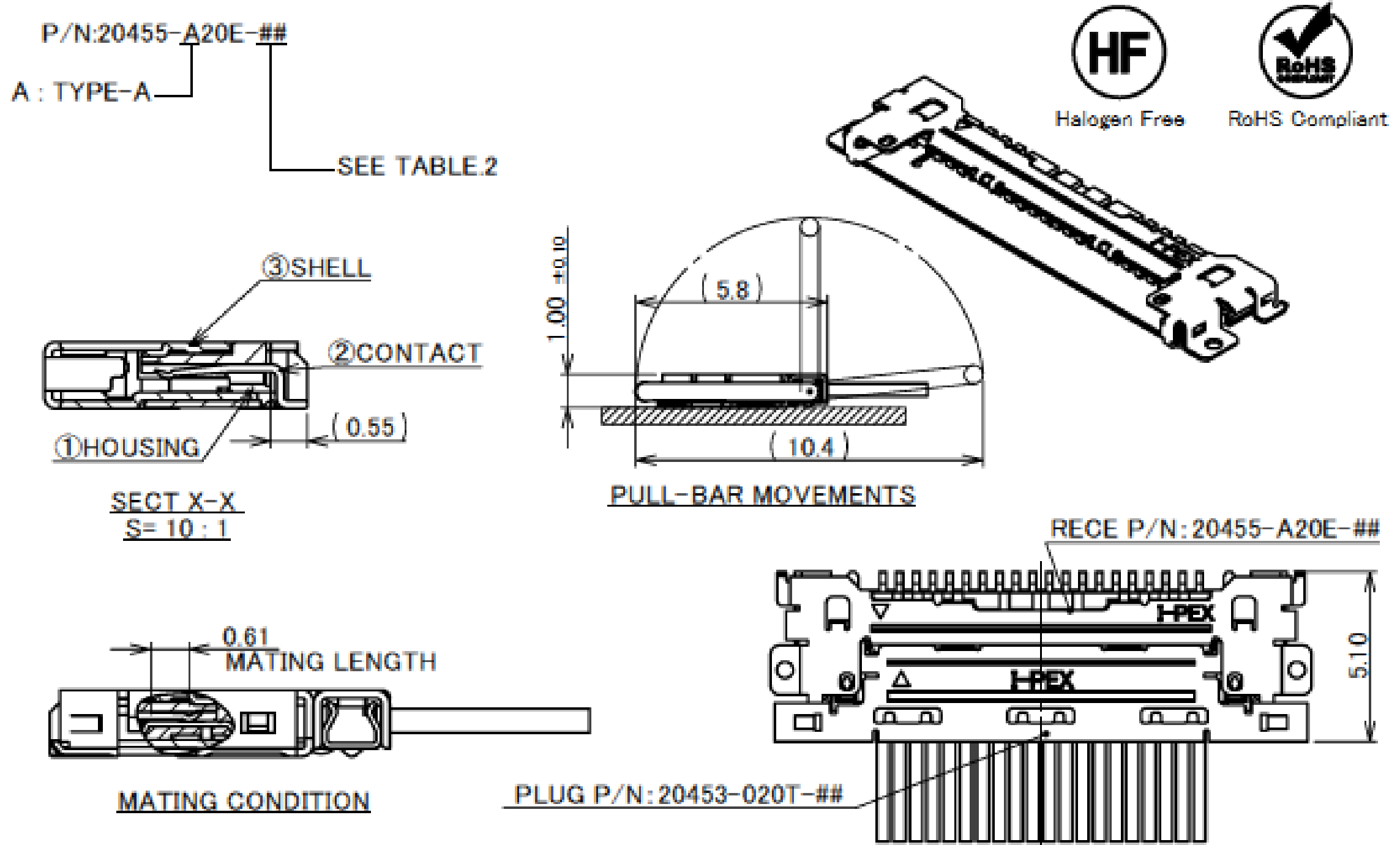
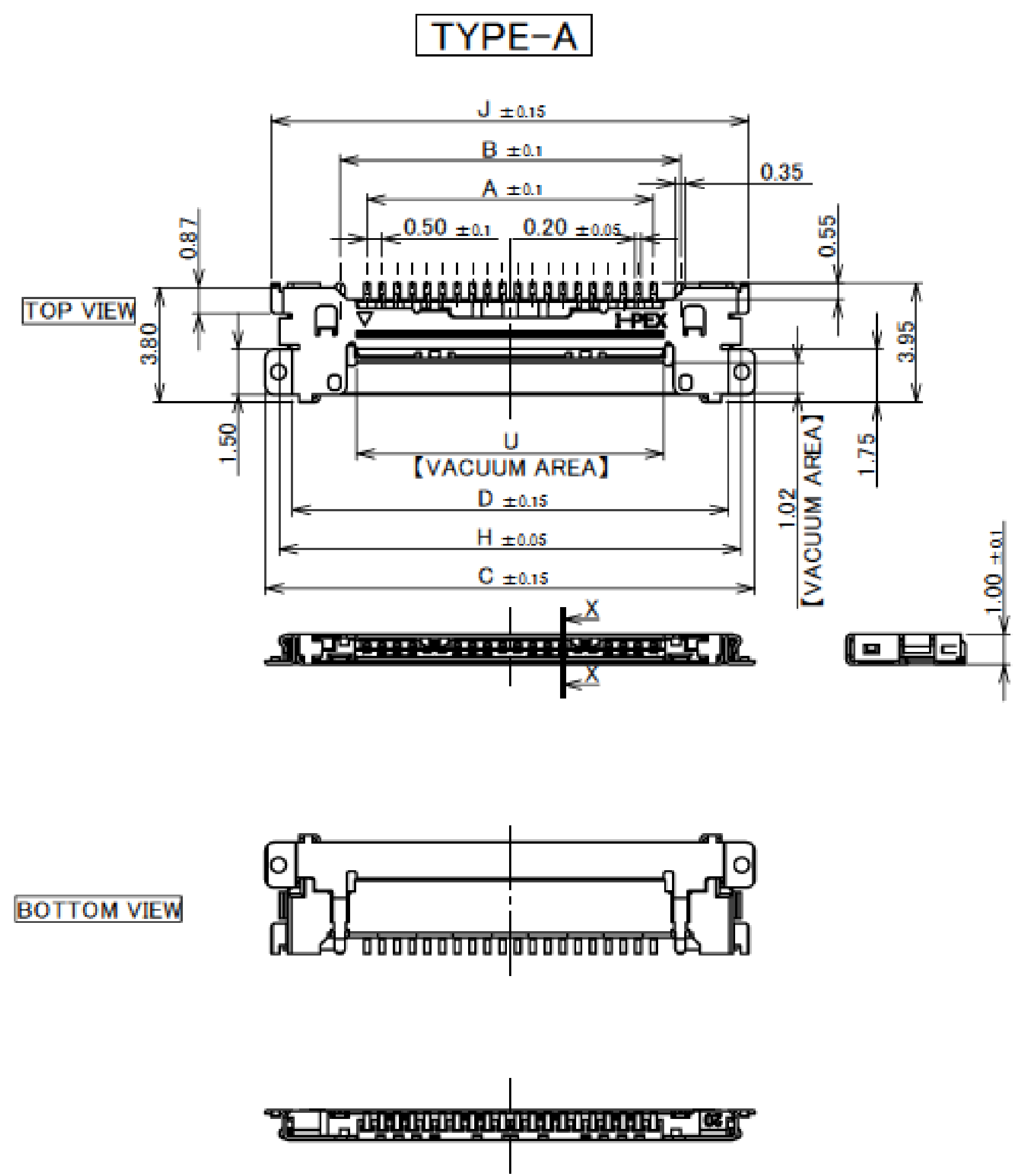
PART NO.	DATUM MARK	CONTACT FINISH	SHELL FINISH
20455-0**E-02	WITH	CONTACT AREA Au 0.1 μm MIN. OVER Ni 1.00 μm MIN. SOLDERING AREA Au 0.05 μm MIN. OVER Ni 1.00 μm MIN.	Au 0.02 μm MIN. OVER Ni 1.00 μm MIN.
20455-0**E-12	WITHOUT	CONTACT AREA Au 0.1 μm MIN. OVER Ni 1.00 μm MIN. SOLDERING AREA Au 0.05 μm MIN. OVER Ni 1.00 μm MIN.	Au 0.01 μm MIN. OVER Ni 1.00 μm MIN.
20455-0**E-66	WITH	CONTACT AREA Au 0.1 μm MIN. OVER Ni 1.00 μm MIN. SOLDERING AREA Au 0.05 μm MIN. OVER Ni 1.00 μm MIN.	Au 0.01 μm MIN. OVER Ni 1.00 μm MIN.
20455-0**E-76	WITHOUT	CONTACT AREA Au 0.1 μm MIN. OVER Ni 1.00 μm MIN. SOLDERING AREA Au 0.05 μm MIN. OVER Ni 1.00 μm MIN.	Au 0.01 μm MIN. OVER Ni 1.00 μm MIN.

NO.	DISCRIPTION	MATERIAL	FINISH , REMARKS
3	SHELL	PHOSPHOR BRONZE	SEE ABOVE TABLE.1
2	CONTACT	PHOSPHOR BRONZE	SEE ABOVE TABLE.1
1	HOUSING	LCP	UL94V-0, BLACK



Rev.34

Recommended P/N		20455-0**E-76 (30P/40P/50P)					20455-A20E-76 (20P)	
PART NO.	Pos.	A	B	C	D	H	J	U
20455-A20E-##	20	9.50	11.30	16.25	14.47	15.32	15.84	10.20



PART NO.	DATUM MARK	CONTACT FINISH	SHELL FINISH
20455-A20E-02	WITH	CONTACT AREA Au 0.1 μm MIN. OVER Ni 1.00 μm MIN. SOLDERING AREA Au 0.05 μm MIN. OVER Ni 1.00 μm MIN.	Au 0.02 μm MIN. OVER Ni 1.00 μm MIN.
20455-A20E-12	WITHOUT	CONTACT AREA Au 0.1 μm MIN. OVER Ni 1.00 μm MIN. SOLDERING AREA Au 0.05 μm MIN. OVER Ni 1.00 μm MIN.	Au 0.01 μm MIN. OVER Ni 1.00 μm MIN.
20455-A20E-66	WITH	CONTACT AREA Au 0.1 μm MIN. OVER Ni 1.00 μm MIN. SOLDERING AREA Au 0.05 μm MIN. OVER Ni 1.00 μm MIN.	Au 0.01 μm MIN. OVER Ni 1.00 μm MIN.
20455-A20E-76	WITHOUT	CONTACT AREA Au 0.1 μm MIN. OVER Ni 1.00 μm MIN. SOLDERING AREA Au 0.05 μm MIN. OVER Ni 1.00 μm MIN.	Au 0.01 μm MIN. OVER Ni 1.00 μm MIN.

NO.	DISCRIPTION	MATERIAL	FINISH , REMARKS
3	SHELL	PHOSPHOR BRONZE	SEE ABOVE TABLE.1
2	CONTACT	PHOSPHOR BRONZE	SEE ABOVE TABLE.1
1	HOUSING	LCP	UL94V-0, BLACK



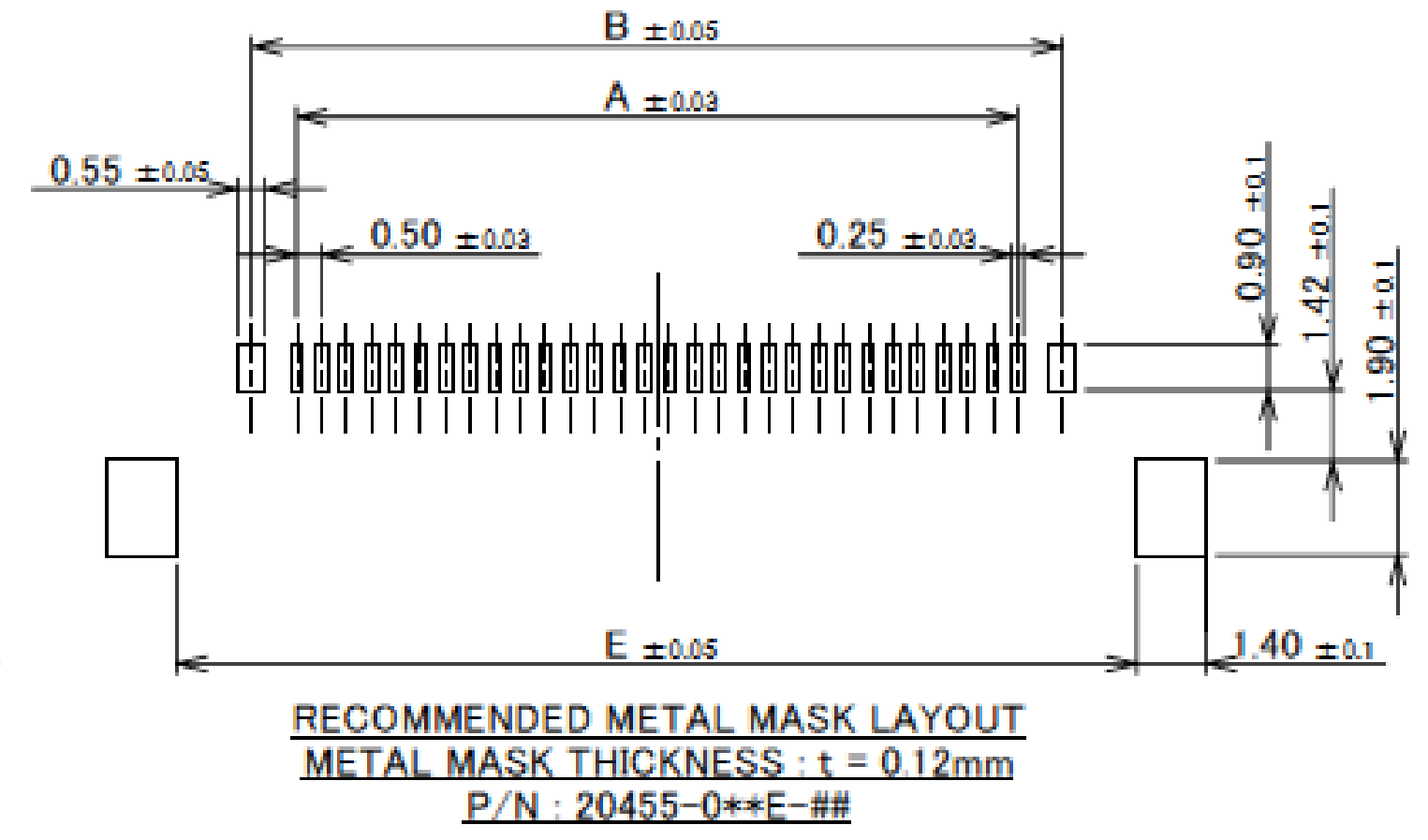
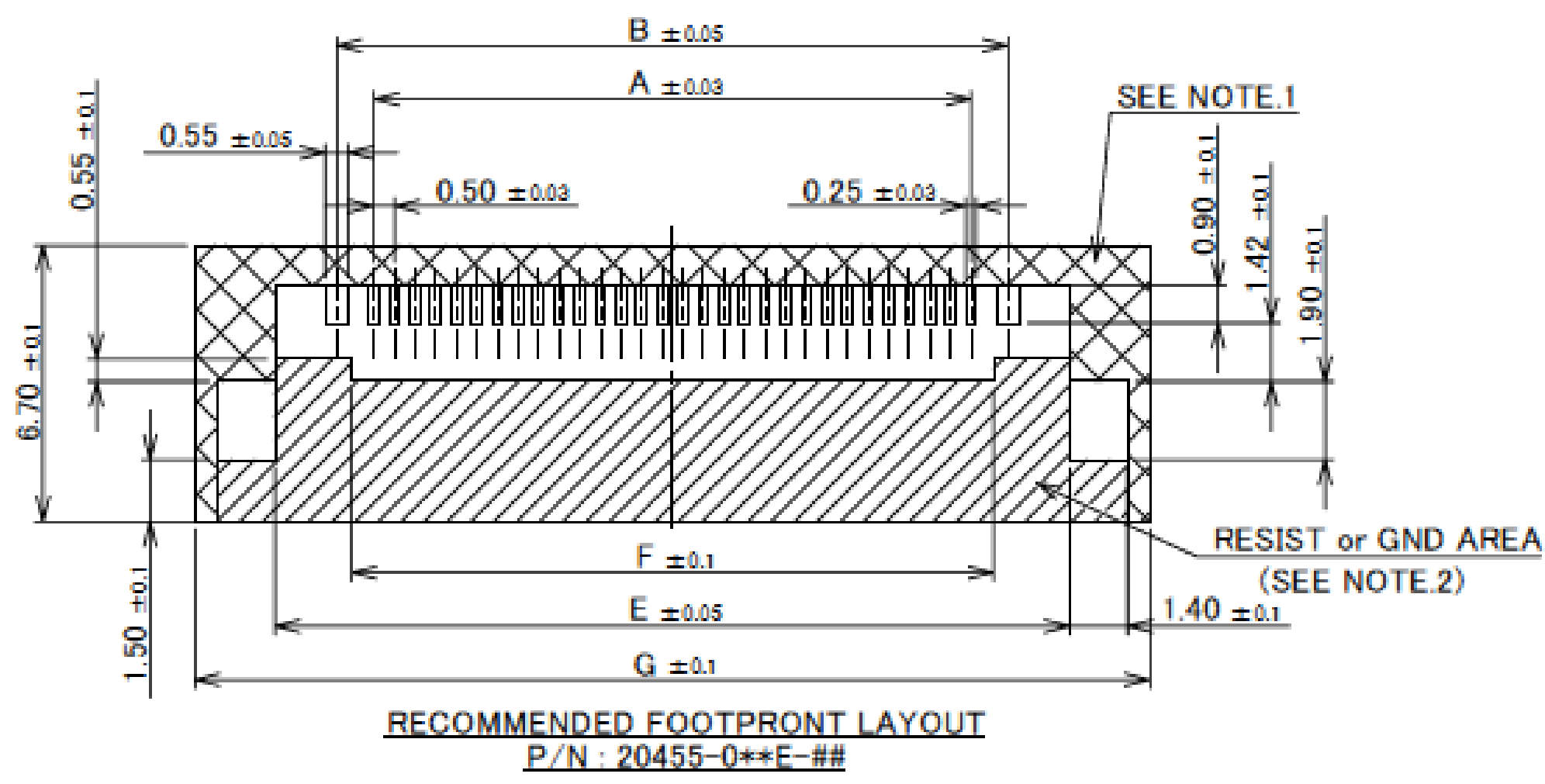
Rev.34



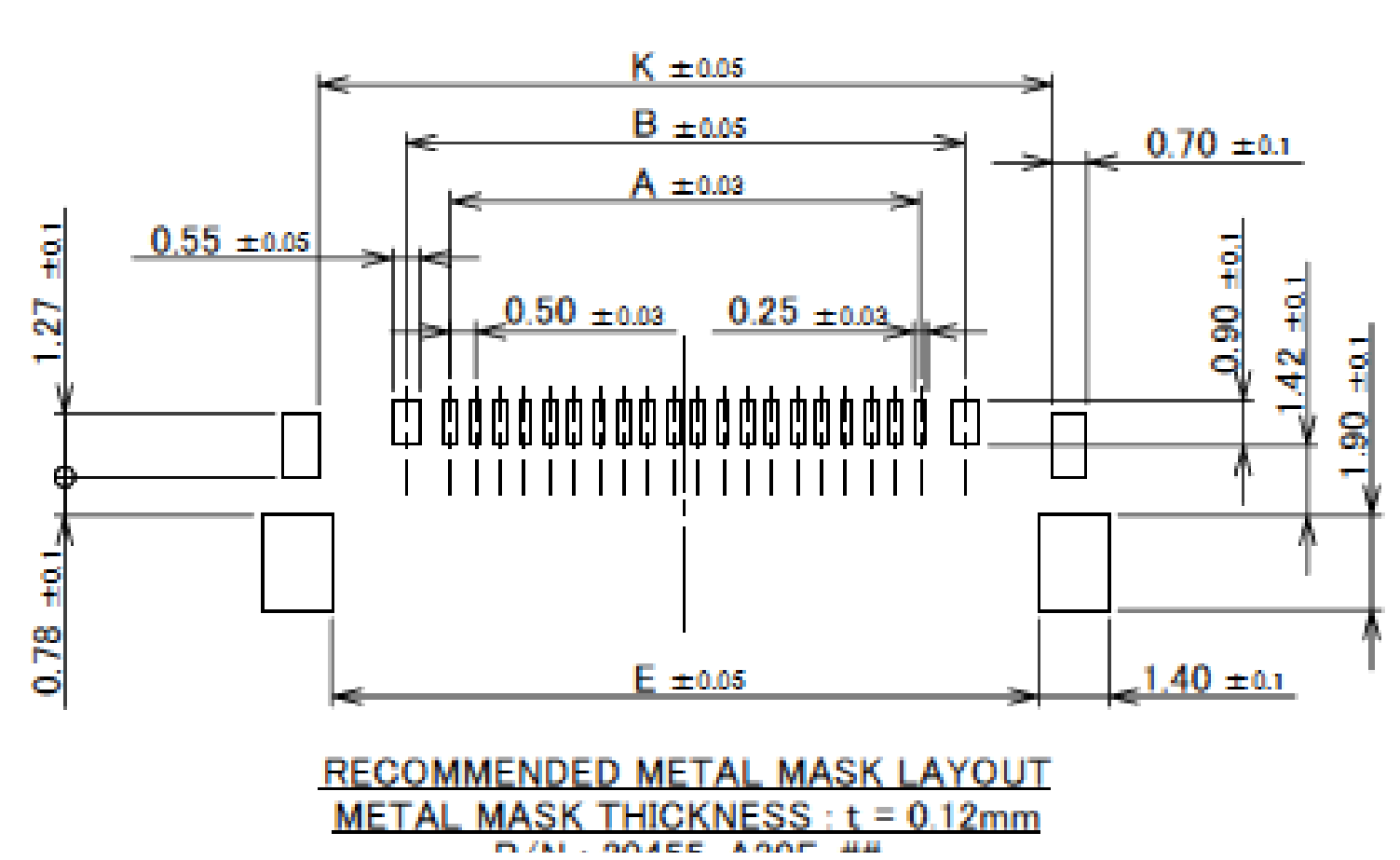
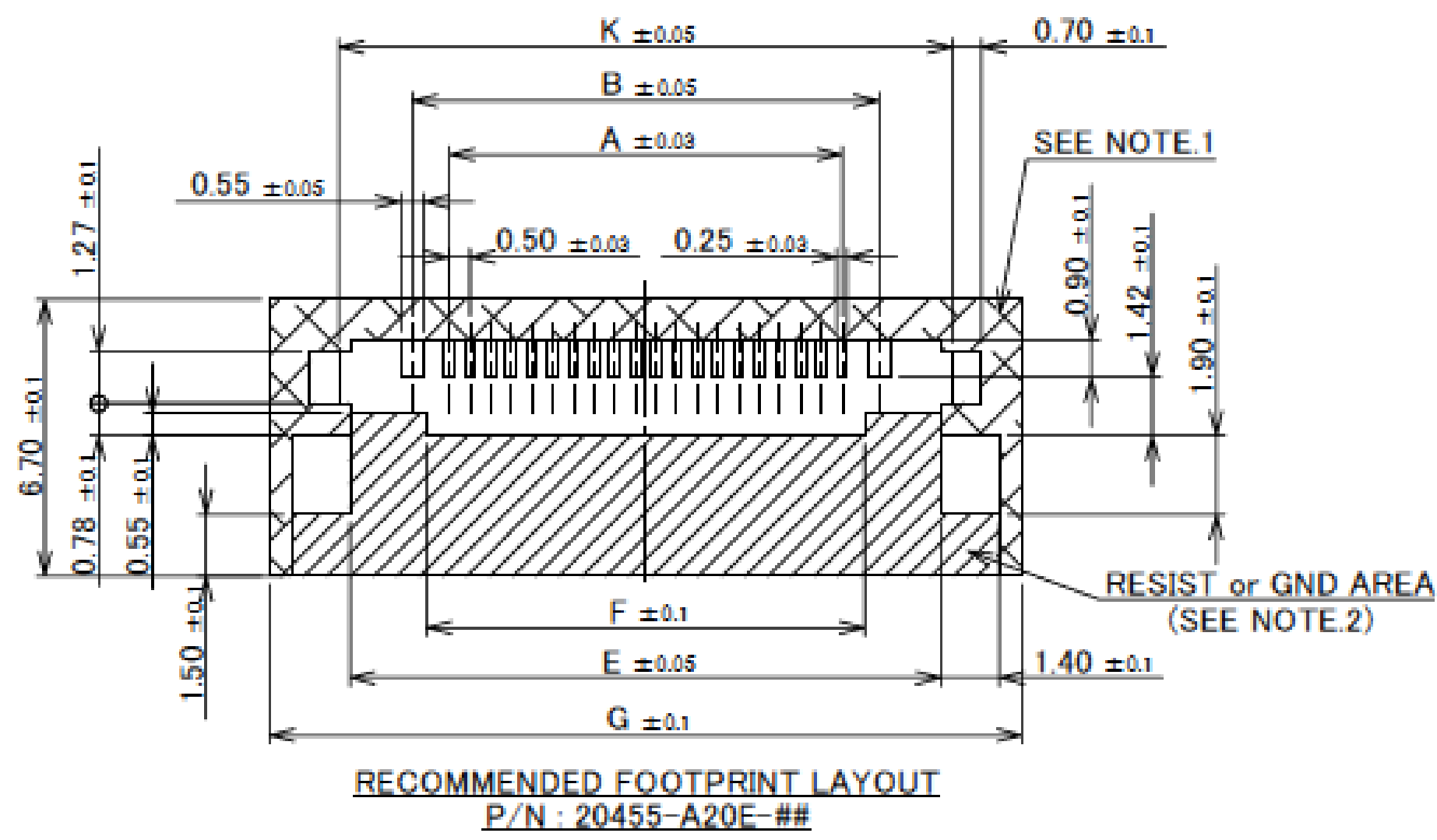
Contact your sales representative for more detailed information. www.i-pex.com

Receptacle Assembly

PART NO.	Pos.	A	B	E	F	G	H	J	K
20455-#20E-##	20	9.50	11.30	14.30	10.60	18.20	15.32	15.84	14.84
20455-#30E-##	30	14.50	16.30	19.30	15.60	23.20	-	-	-
20455-#40E-##	40	19.50	21.30	24.30	20.60	28.20	-	-	-
20455-#50E-##	50	24.50	26.30	29.30	25.60	33.20	-	-	-



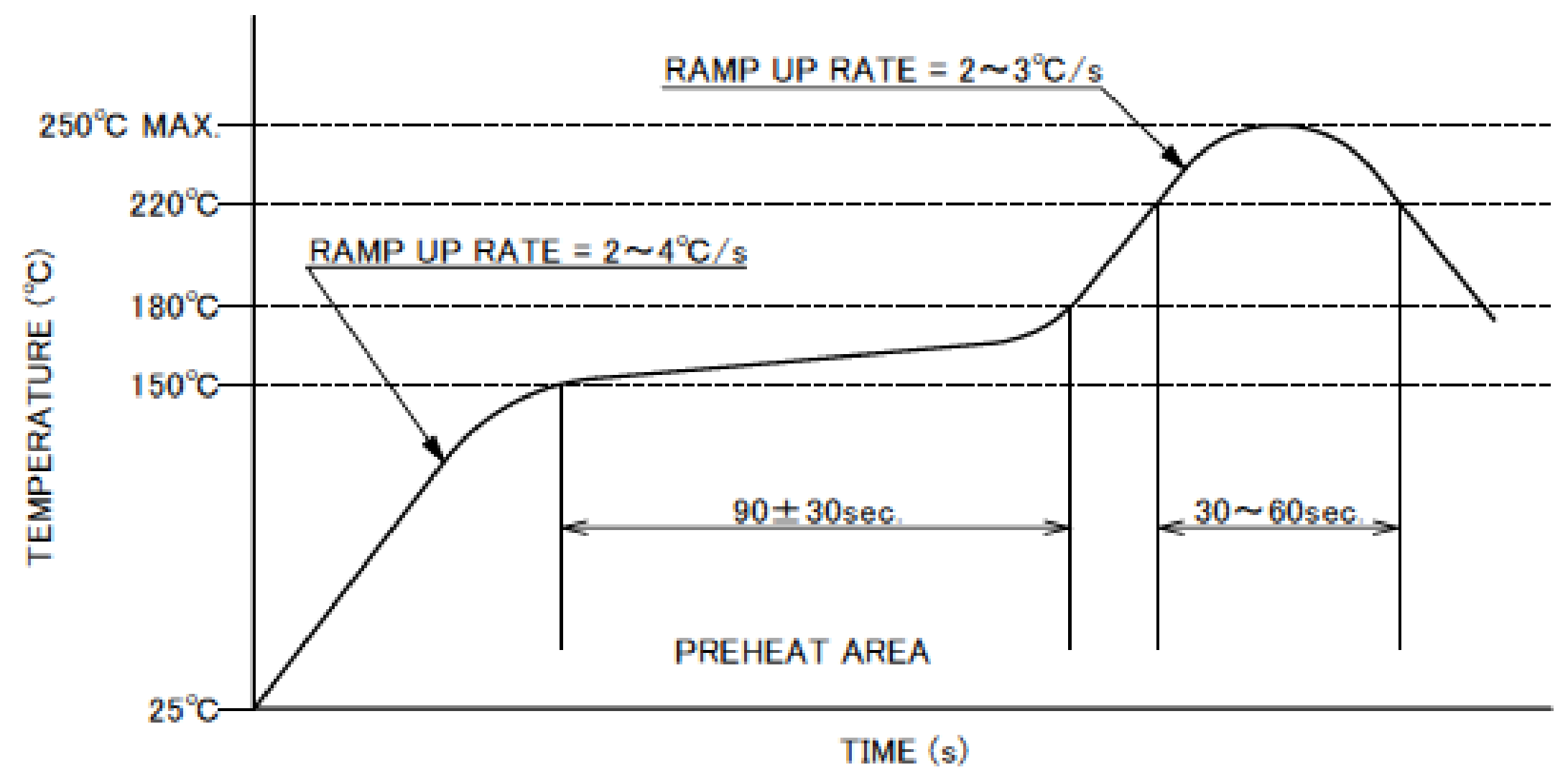
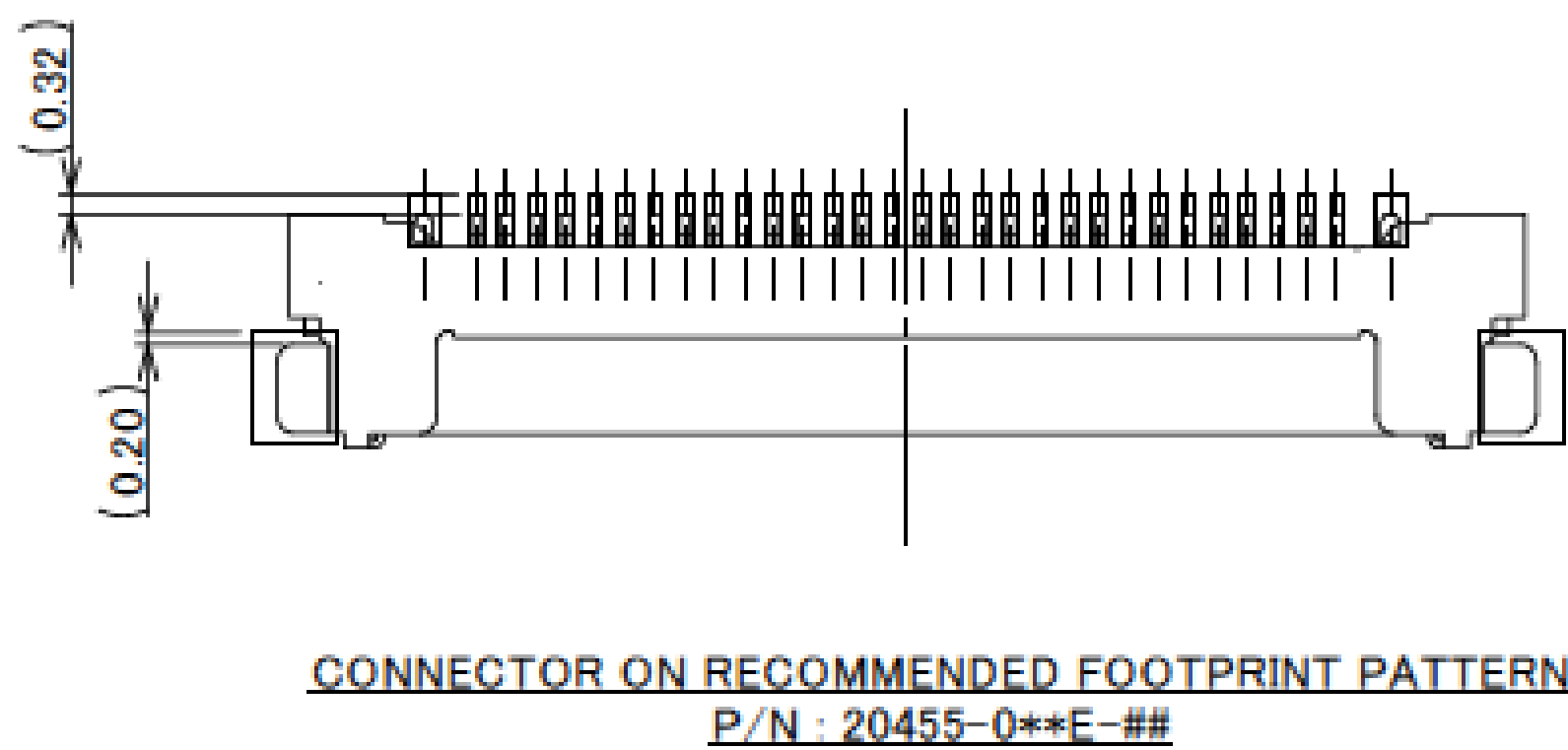
TYPE-A



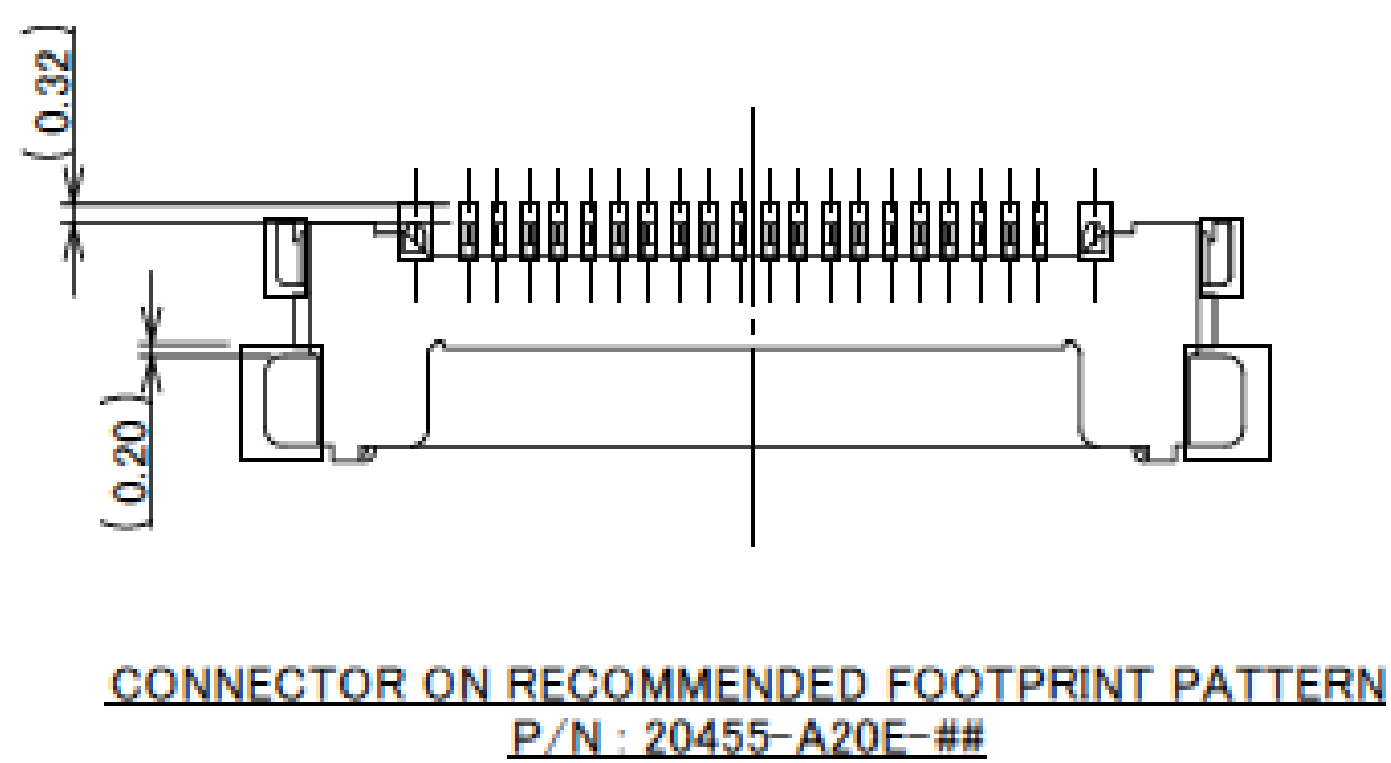
NOTES.

1. IN CASE OF PLUG WITH PULL-BAR, DO NOT MOUNT ANOTHER COMPONENT IN THIS AREA.
2. SOLDER RESIST MUST BE APPLIED TO THIS AREA.

Rev.34



TYPE-A



Rev.34

Receptacle Assembly

FOR CABLINE-VS PLUG CABLE ASSEMBLY (DWG NO. 20453)

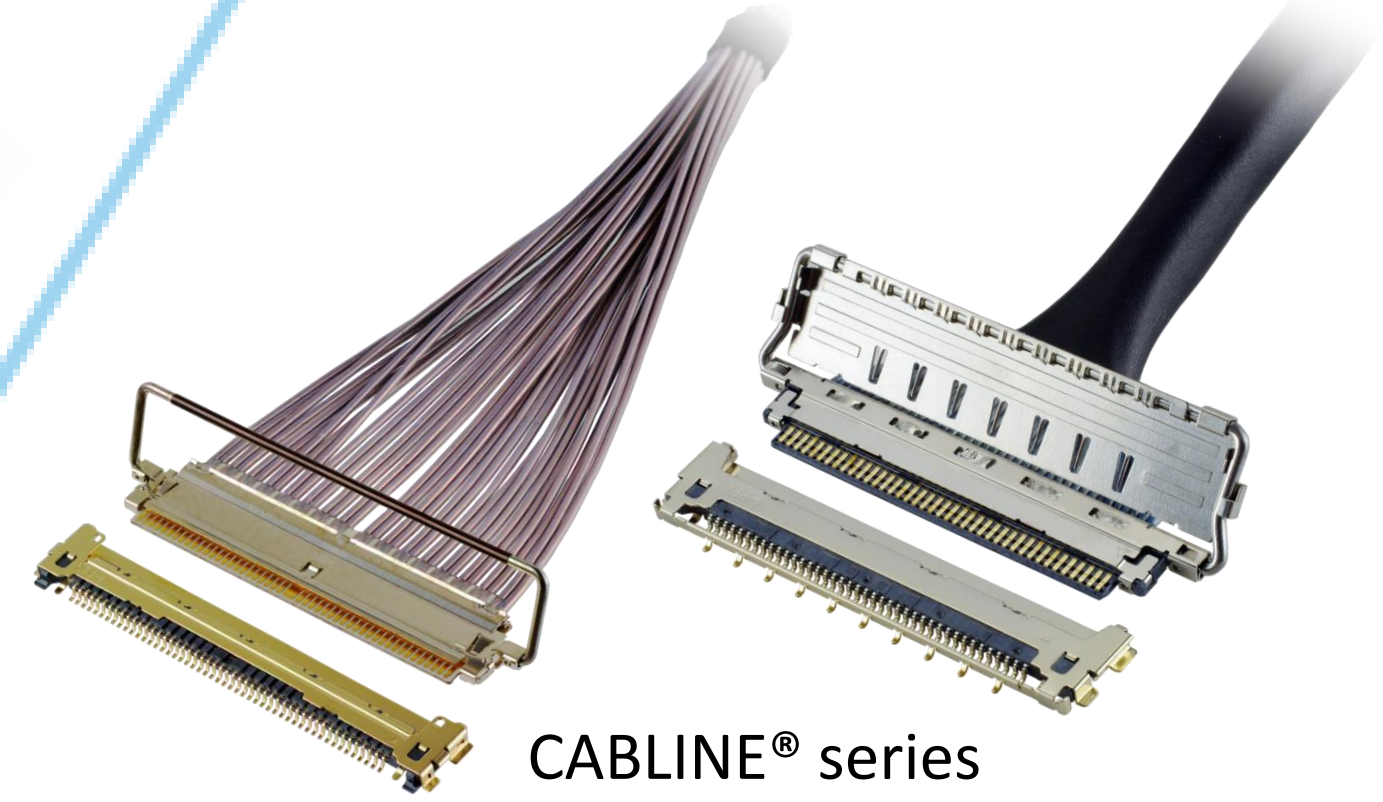
ITEMS	SPECIFICATION
APPLICABLE CABLE	MICRO-COAXIAL CABLE : AWG# 44, 42, 40, 38, 36 DISCRETE WIRE : AWG# 36, 34, 32 TWINAX CABLE : AWG# 40
RATING VOLTAGE	100V AC (PER CONTACT PIN) ※THIS IS THE RATED VOLTAGE OF THE CONNECTOR. PLEASE NOTE THAT THE RATED VOLTAGE MAY VARY IN THE HARNESS DEPENDING ON THE CABLES USED.
RATING AMPERAGE (FOR CONTACT)	0.1A AC/DC [AWG#44] PER CONTACT PIN/UP TO 50 CONTACTS 0.24A AC/DC [AWG#42] PER CONTACT PIN/UP TO 50 CONTACTS 0.3A AC/DC [AWG#40] PER CONTACT PIN/UP TO 50 CONTACTS 0.5A AC/DC [AWG#38] PER CONTACT PIN/UP TO 14 CONTACTS 0.8A AC/DC [AWG#36] PER CONTACT PIN/UP TO 10 CONTACTS 1.0A AC/DC [AWG#34] PER CONTACT PIN/UP TO 6 CONTACTS 1.0A AC/DC [AWG#32] PER CONTACT PIN/UP TO 6 CONTACTS TESTING BY A REAL MACHINE IS RECOMMENDED BECAUSE TEMPURECHER RISE MAY AFFECTED BY ACTUAL SITUATION.
OPERATING TEMPERATURE	233~358K(-40°C~+85°C)
OPERATING HUMIDITY	85% R.H. MAX.
CONTACT RESISTANCE	INITIAL : 140mohm MAX.(AWG#32) / AFTER TEST : \triangleleft40mohm MAX. 180mohm MAX.(AWG#34) 275mohm MAX.(AWG#36) 360mohm MAX.(AWG#38) 600mohm MAX.(AWG#40) 700mohm MAX.(AWG#42) 1080mohm MAX.(AWG#44)
GROUND SHELL RESISTANCE	INITIAL : 50mohm MAX. / AFTER TEST : \triangleleft40mohm MAX.
INSULATION RESISTANCE	INITIAL : 1000Mohm MIN. / AFTER TEST : 500Mohm MIN.
DIELECTRIC WITHSTANDING VOLTAGE	AC250V 1min
DURABILITY	30 CYCLES
MATING FORCE (INITIAL / AFTER TEST)	20P : 9.45N MAX. 30P : 12.15N MAX. 40P : 16.20N MAX. 50P : 20.25N MAX.
UNMATING FORCE (INITIAL / AFTER TEST)	20P : 2.0N MIN. 30P : 3.0N MIN. 40P : 4.0N MIN. 50P : 5.0N MIN.
CABLE RETENTION FORCE	20P : 9.80N MIN. 30P : 14.70N MIN. 40P : 19.60N MIN. 50P : 24.50N MIN.
COPLANARITY	0.10 MAX.
PRODUCT SPECIFICATION	PRS-1427
TEST REPORT	TR-08047 (20455-***E-#2) TR-13084 (20455-***E-#6, 20455-0**E-#8)
PACKING STANDARD	300-643
INSTRUCTION MANUAL	HIM-08004
APPEARANCE CRITERIA NO.	QLS-A***

Rev.34

Custom Connectors Available

 RF Connectors

MHF® series



CABLIN® series



Micro-Coaxial/Twinax Connectors

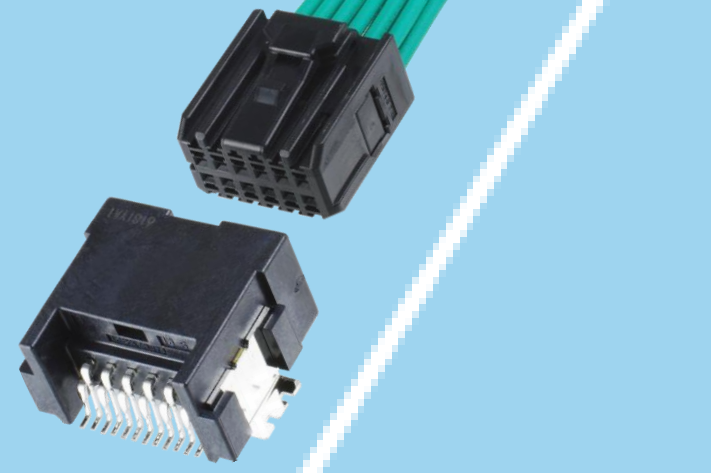


Wire-to-Board Connectors/Terminals

AP series



ISH® series



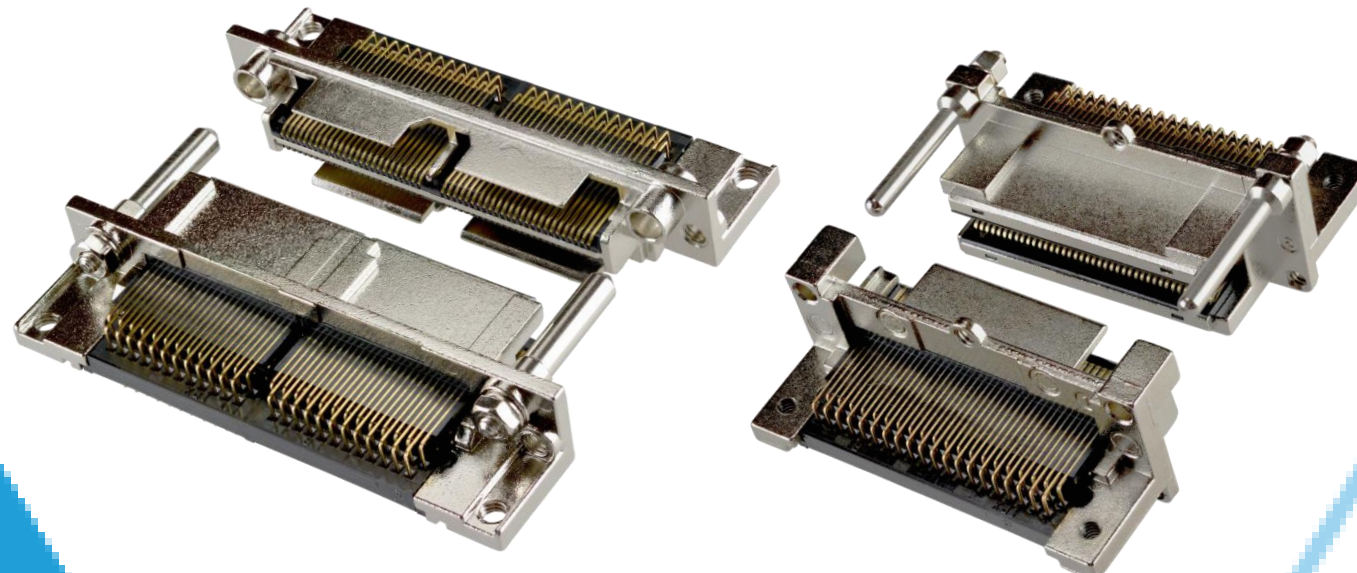
NOVASTACK® series



Board-to-Board Connectors



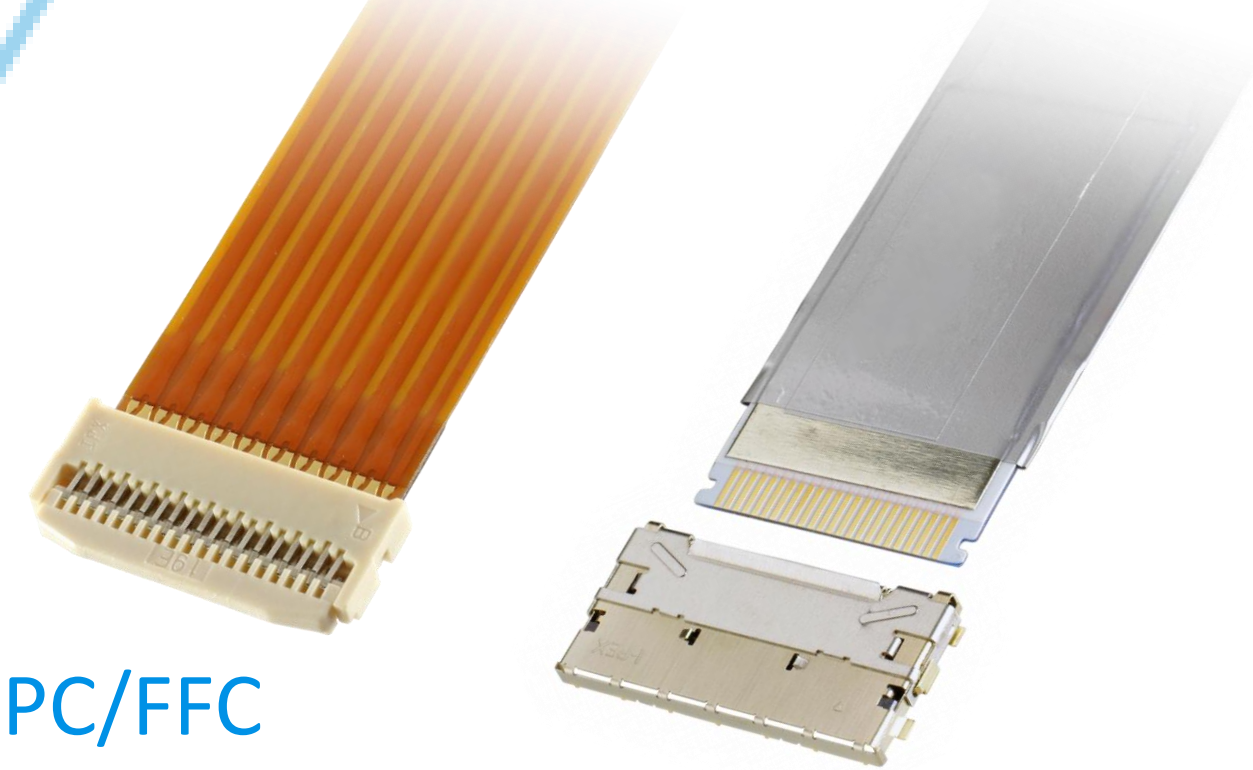
I/O Connectors



MINIDOCK™ series

MINIFLEX® series

EVAFLEX® series



FPC/FFC Connectors



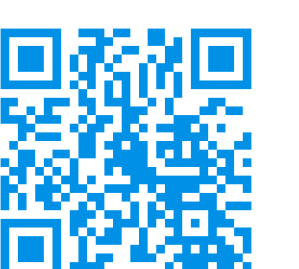
Inquiry



I-PEX, MHF, CABLINE, NOVASTACK, ISH, IARPB, MINIFLEX, EVAFLEX, MINIDOCK and ZenShield are registered trademarks of I-PEX Inc. Please note that the contents in the catalog might be changed without prior notification. I-PEX Inc. assumes no responsibility for any inaccuracies or obligation to update information on these documents. Please be sure to read and understand the latest "Precautions for Use" and "Instruction Manual" before you use our products. We shall not be responsible for any defects, damages or troubles in case you use our products without following the precautions for use. Please feel free to contact our sales representatives when you use our products for any applications that require very high reliability and safety, or that relate to human life (ex. nuclear power control, aerospace, transportation, medical equipment, safety equipment etc.).

Contact your sales representative or more detailed information.

www.i-pex.com



I-PEX

© I-PEX Inc. 2025
All rights reserved