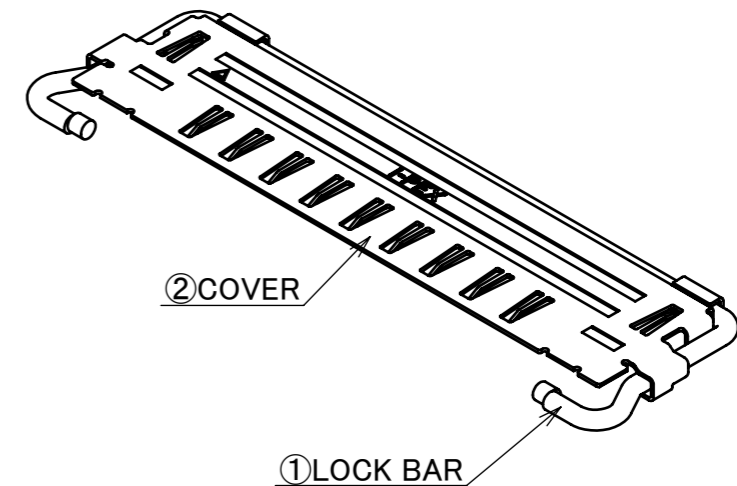
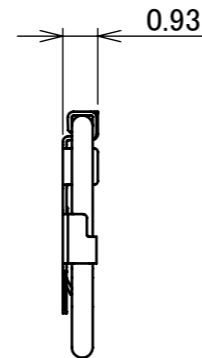
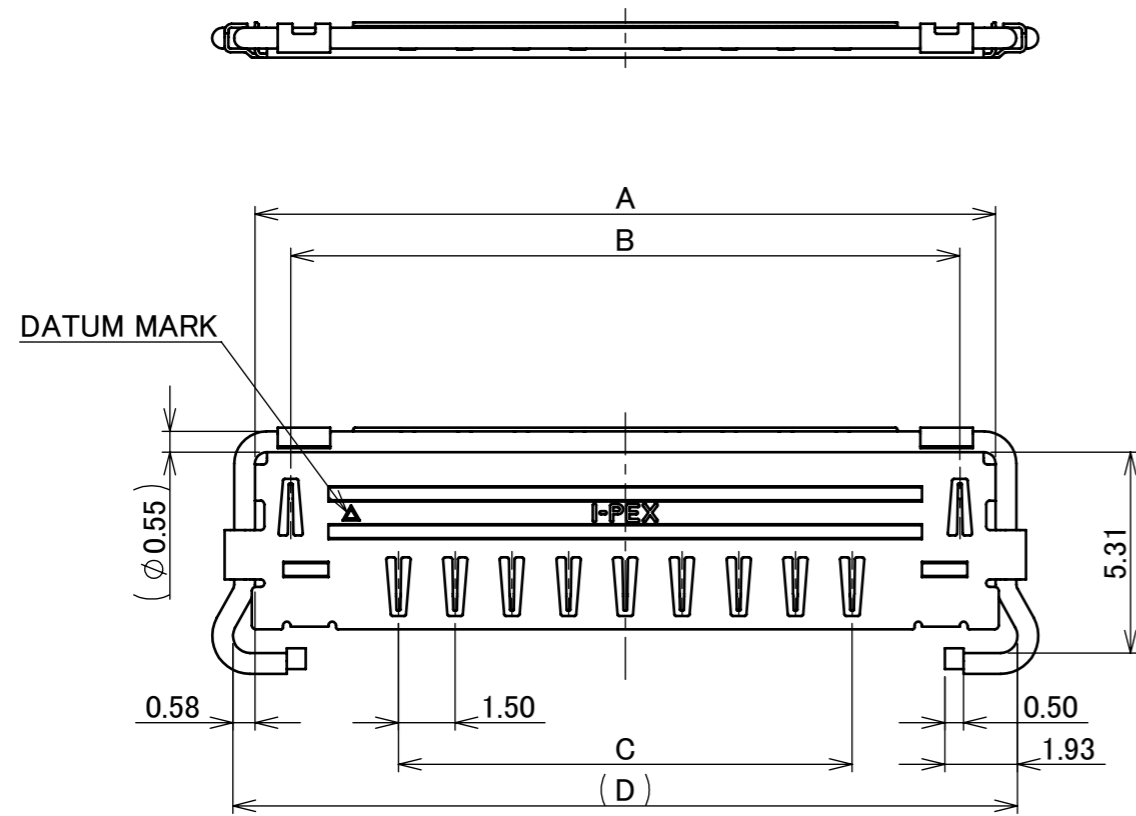


Recommended P/N 20848-0**T-01

PART NO.	Pos.	A	B	C	D	E
20848-020T-01	20	14.59	12.70	7.50	15.75	7.00
20848-030T-01	30	19.59	17.70	12.00	20.75	12.00
20848-040T-01	40	24.59	22.70	18.00	25.75	17.00



20848-0**T-01
POS.

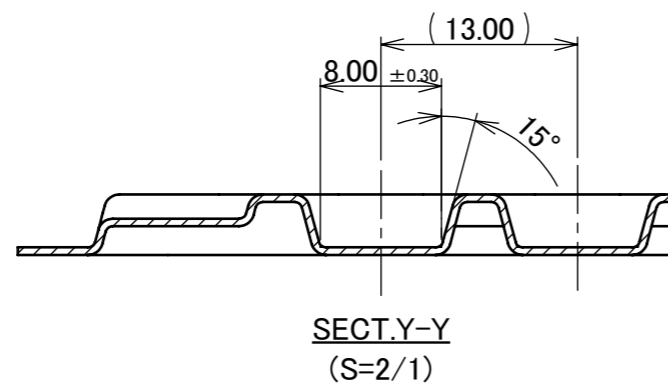
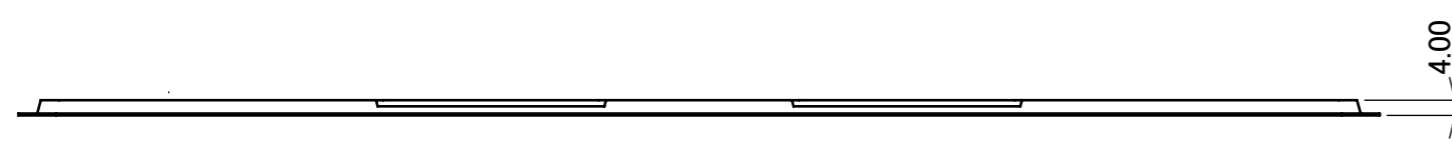
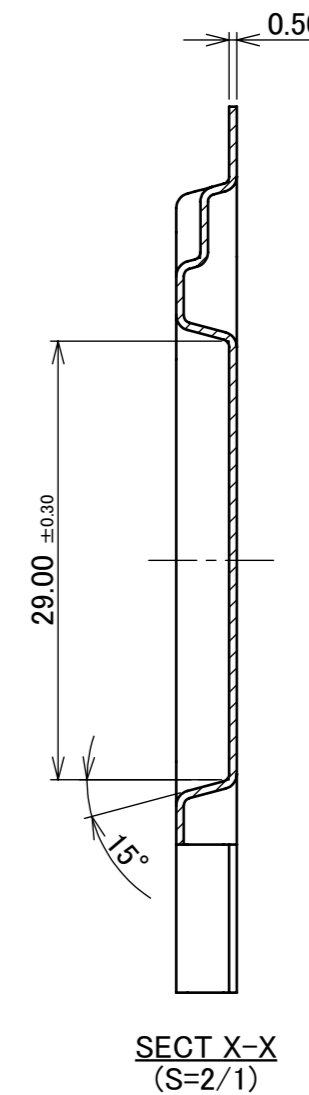
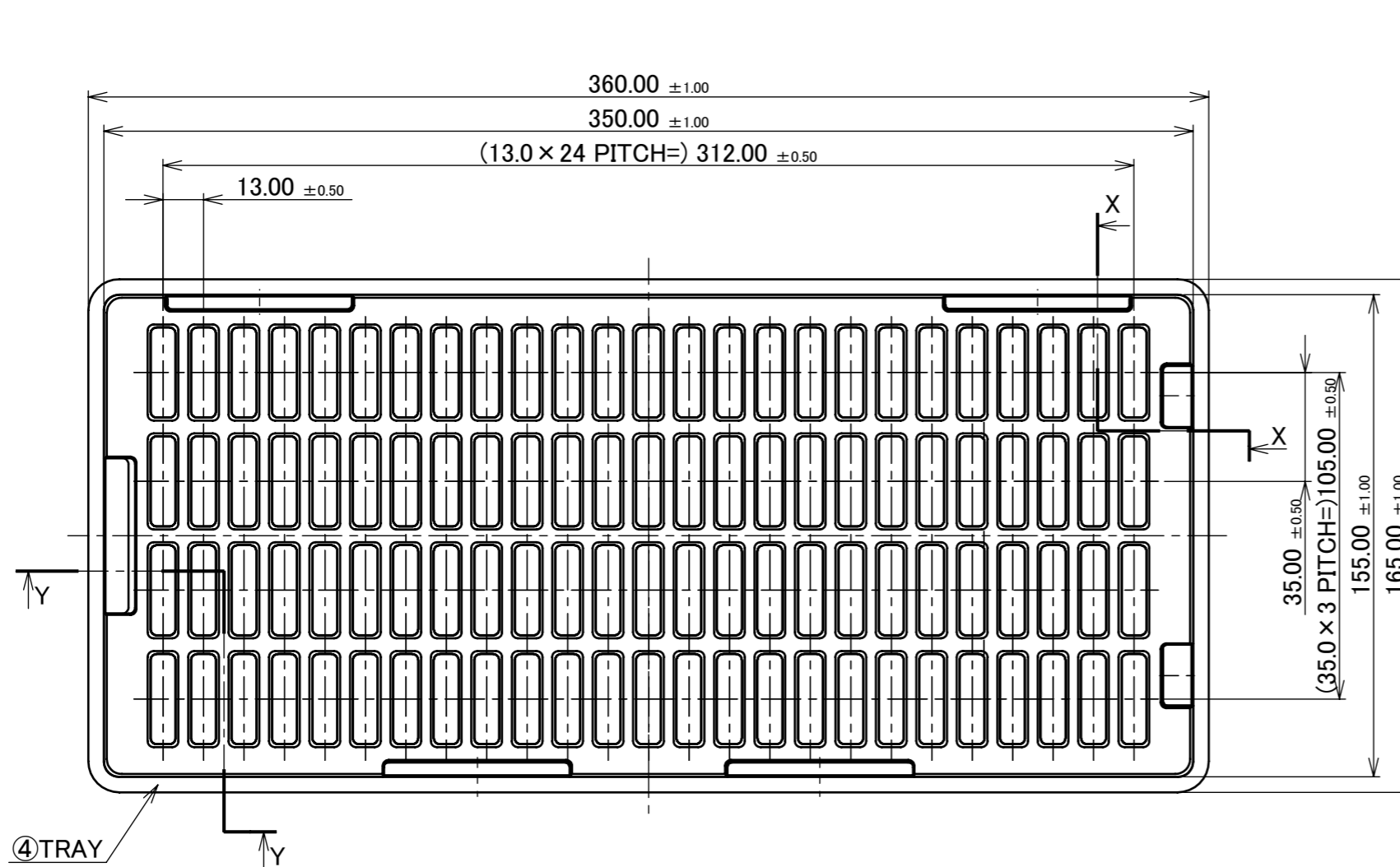


PATENT REGISTERED

NO.	DISCRIPTION	MATERIAL	FINISH , REMARKS
2	COVER	PHOSPHOR BRONZE	ALL OVER Ni 1.00 μ m MIN.
1	LOCK BAR	SUS ϕ 0.55	-

REV.	ECN	BY	DATE	APP.	DATE	DWG. No.	TITLE	SCALE	SHEET	REV.
6	Z191128	M.N	Aug./27/'19	H.I	ANGLE $\pm 2^\circ$	6 OVER 30 MAX. ± 0.3	CABLIN [®] -VS II PLUG LOCK BAR ASS'Y	5:1	1/2	6
5	Z190247	M.N	Feb./21/'19	H.I	6 MAX. ± 0.2	30 OVER 120 MAX. ± 0.5				
4	Z181497	M.N	Nov./16/'18	Y.S	GENERAL TOLERANCE.					
3	Z181469	T.K	Nov./08/'18	Y.S	DWG. K.Baba	DATE 2017/07/25				
2	Z180939	K.B	July/19/'18	Y.S	CHK. T.Kurachi	DATE 2017/07/25				
1	Z171217	K.B	Oct./23/'17	Y.S	APP. Y.Shimada	DATE 2017/07/26				
REVISION RECORD						20848	A3			

PART NO.	QTY. IN DITCH (PIECES / DITCH)	QTY. IN TRAY (PIECES / TRAY)	QTY. IN SHIPPING CARTON (TRAY / S CARTON)	QTY. IN PACKING CARTON (S CARTON / P CARTON)	PACKING STANDARD
20848-020T-01	1	100 / TRAY	20 / S CARTON = 2000	4 / P CARTON = 8000	PST-17078
20848-030T-01					
20848-040T-01					



NO.	DESCRIPTION	MATERIAL	FINISH, REMARKS
4	TRAY	PP	ANTI-STATIC TYPE

ANGLE	±2°	6 OVER 30 MAX.	±0.3	PROJECTION ⊕	SERIES No. R0R1	CUSTOMER COPY	
6 MAX.	±0.2	30 OVER 120 MAX.	±0.5				
GENERAL TOLERANCE.				TITLE	SCALE	I-PEX	
DWG.	DATE			CABLIN [®] -VS II PLUG LOCK BAR ASS'Y	1:2		
CHK.	DATE				UNIT		mm
APP.	DATE				DWG. No.		20848
				SIZE	A3	SHEET 2/2 REV. 6	