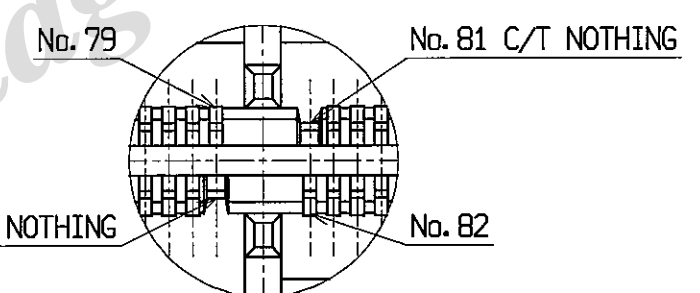
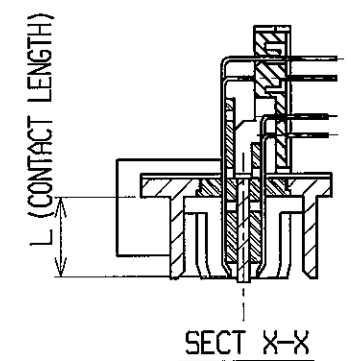
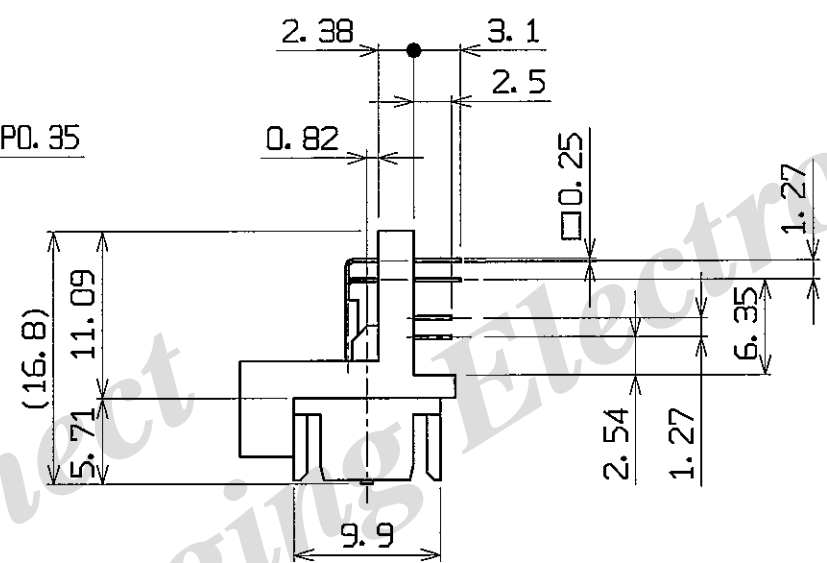
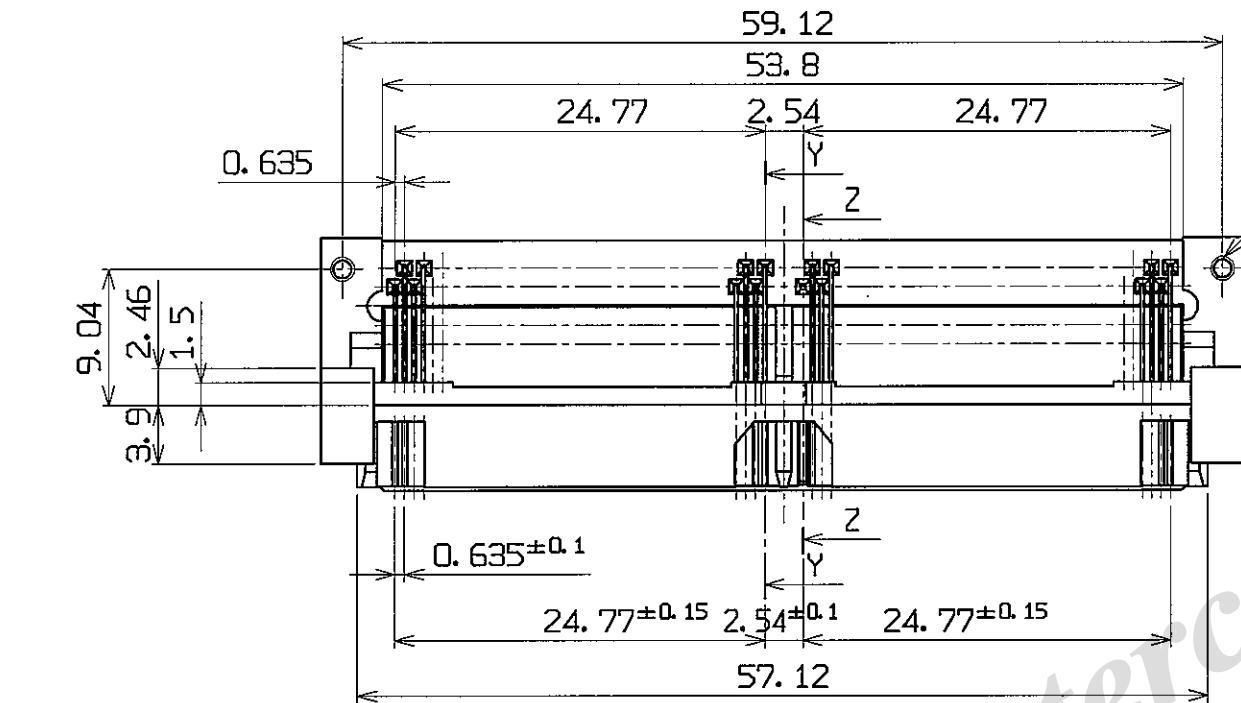


PART No.	PIN TYPE	PIN No.	MATING LENGTH
30095-158T-F	L PIN(L=5.36)	77 ~ 84	2.1
	M PIN(L=4.66)	OTHERS	1.4
	S PIN(L=3.96)	1 ~ 4, 157 ~ 160	0.7
	NOTHING	80, 81	—

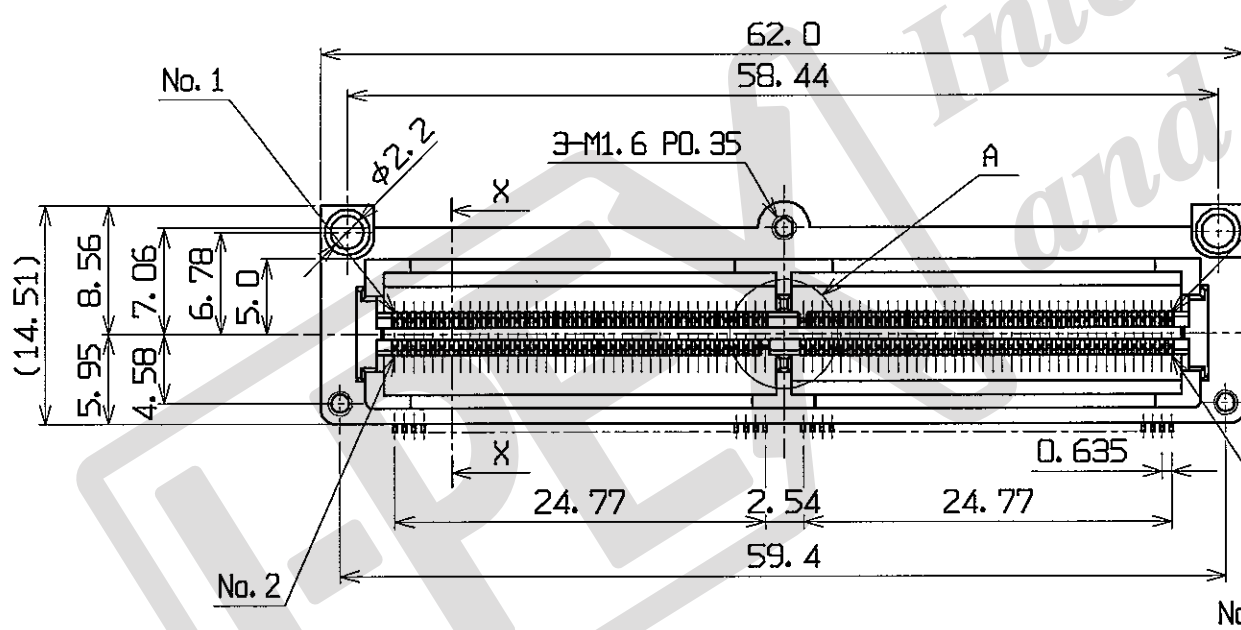


DETAIL A
SCALE 5/1

*No. 80, 81 C/T NOTHING
PLEASE SHOW SHEET 2/2
(SECT Y-Y, Z-Z)

NOTES

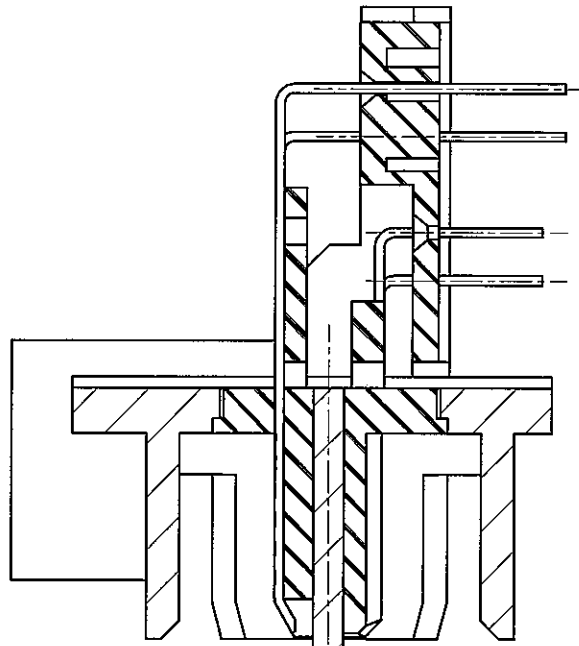
- CONNECTOR TO BE MATED: 30047, 30056
- PRODUCT SPECIFICATION: PRS-1011
- MATERIALS:
METAL SHELL : Zn ALLOY
Ni OVER Cu PLATE
INSULATOR: PPS(BLACK), UL94V-0
LOCATER PLATE : PA(BLACK), UL94V-0
CONTACT : COPPER ALLOY
- CONTACT FINISH:
UNDER COAT : Ni OVER ALL
CONTACT AREA : Au FLASH OVER Pd-Ni
SOLDER TAIL : Au FLASH



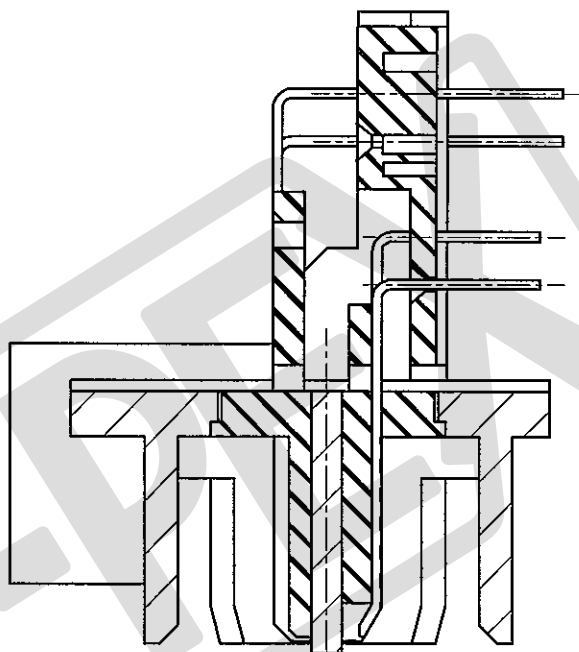
GENERAL TOLERANCE		
6 MAX.	±0.2	
6 OVER MAX. 30	±0.3	
30 OVER MAX. 120	±0.5	
ANGLE	±2°	

DESIGN'D BY	DATE	I-PEX Interconnect and Packaging Electronics TOKYO, JAPAN
J. Ohsaka	Dec/27/2005	
CHK'D BY	DATE	TOL.
1 206085 J. O Mar/03/06 714		±0.3, ±2'
0 205560 J. O Dec/27/05		TITLE
REV ECN BY DATE CHK	APP'D BY DATE	MINIDOCK PLUG 158P R/A SLIM 3 SEQUENCE
	E. Kawabe Dec/27/2005	SCALE UNIT DWG. No.
REV. RECORD	CUSTOMER COPY	2/1 mm 30095
SERIES No. 3011	PROJECTION	SHEET REV.
		1/2 1

PART NO.
30095-158T-F

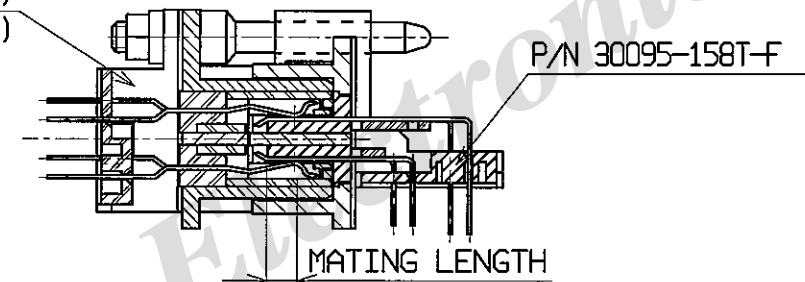


No. 80 SECT Y-Y
SCALE: 5/1

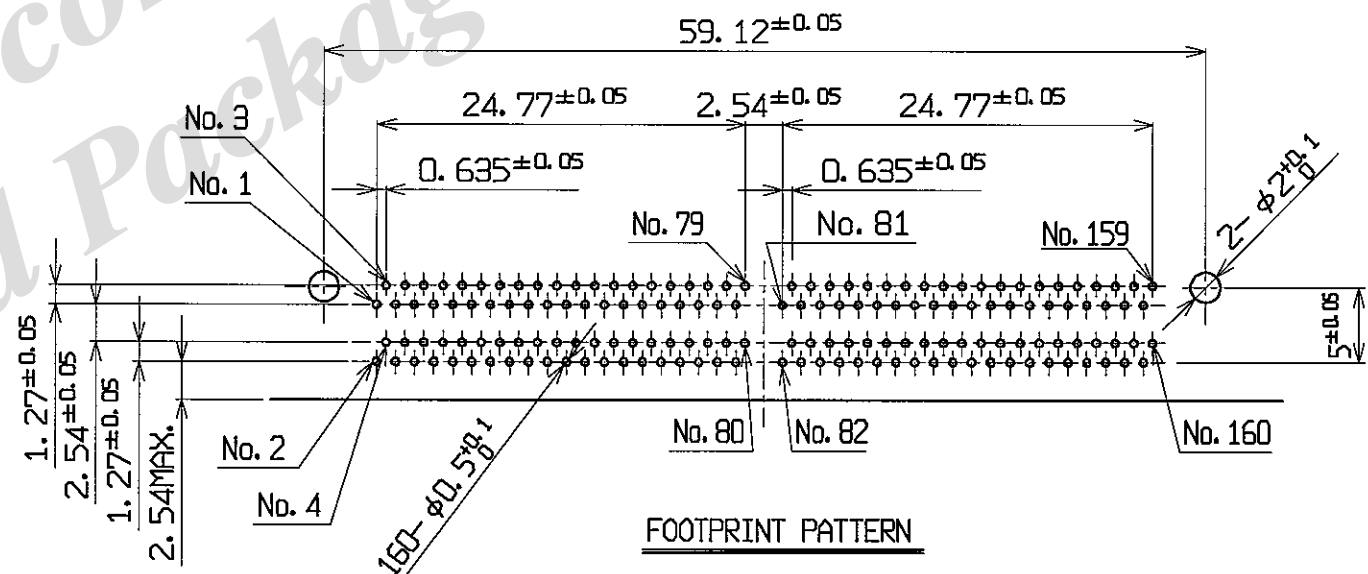


No. 81 SECT Z-Z
SCALE: 5/1

P/N 30056-160T-*(VERTICAL)
or P/N 30047-160T-*** (R/A)



MATING DRAWING



FOOTPRINT PATTERN

GENERAL TOLERANCE	
6 MAX.	±0.2
6 OVER MAX. 30	±0.3
30 OVER MAX. 120	±0.5
ANGLE	±2°

DESIGN' D BY	DATE	 Interconnect and Packaging Electronics TOKYO, JAPAN	TITLE			
CHK' D BY	DATE		MINIDOCK PLUG 158P R/A SLIM 3 SEQUENCE			
APP' D BY	DATE		DWG. No.	SHEET	REV.	
CUSTOMER COPY	PROJECTION	SCALE	UNIT	DWG. No.	SHEET	REV.
		2/1	mm	30095	2/2	1