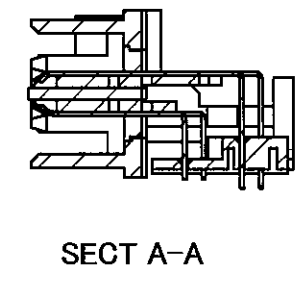
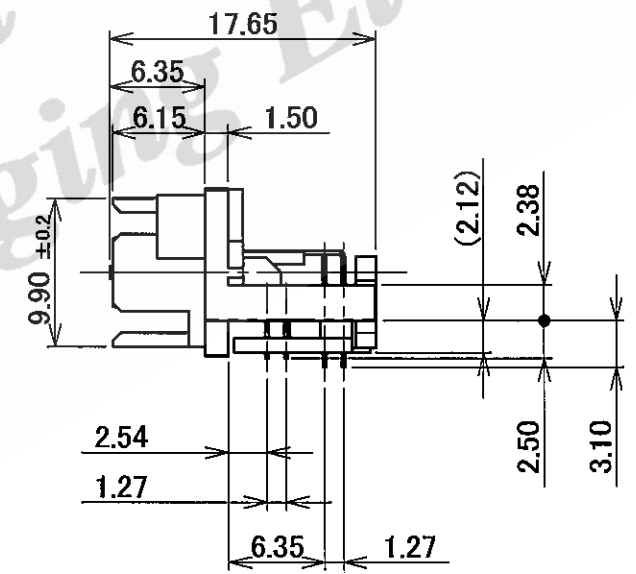
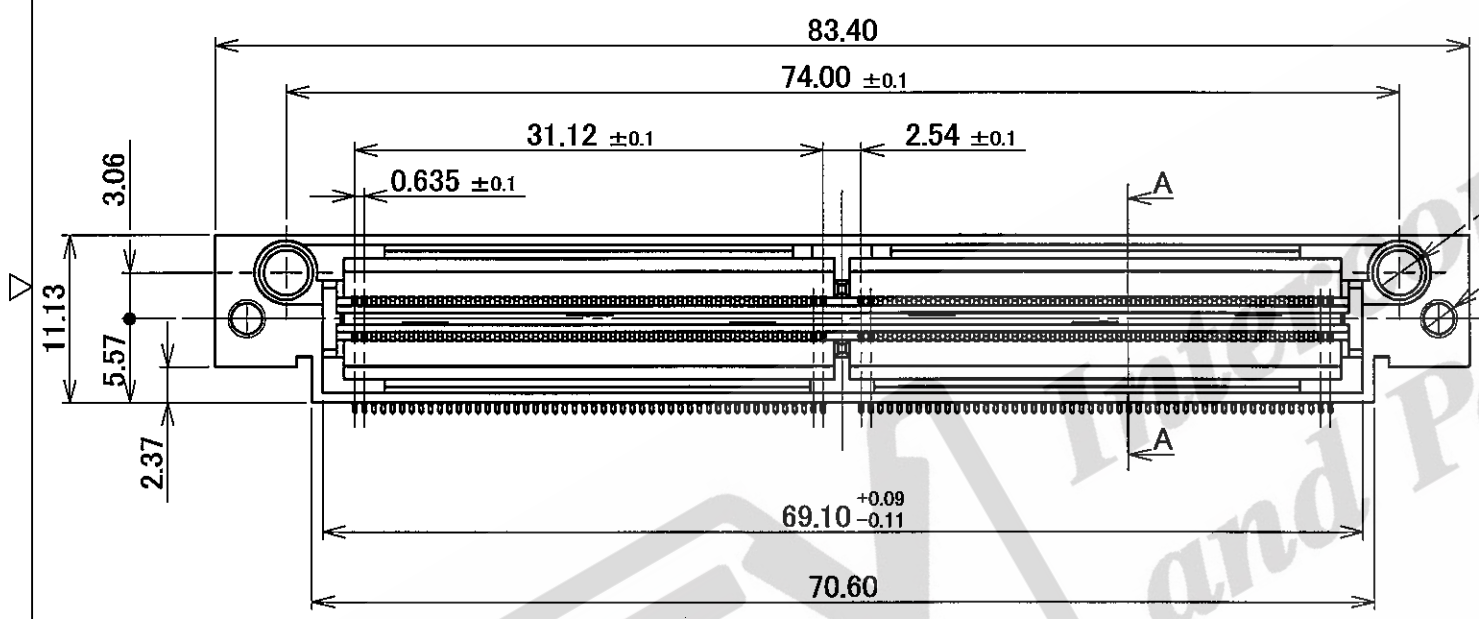
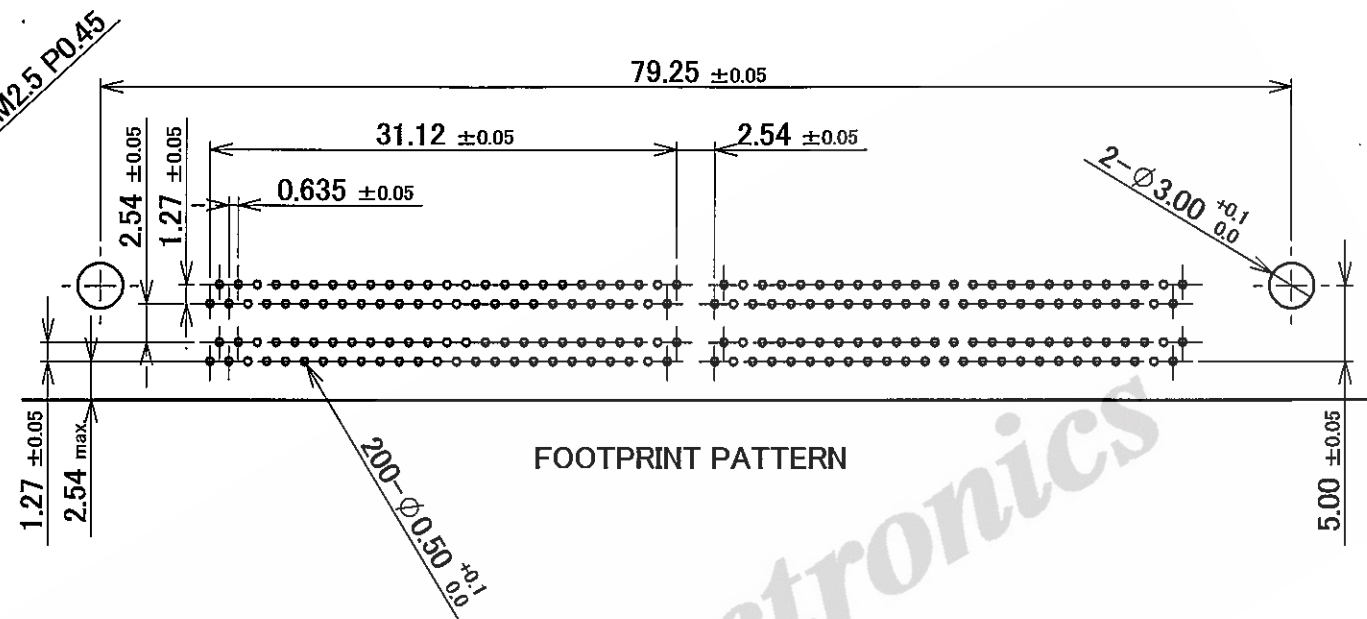
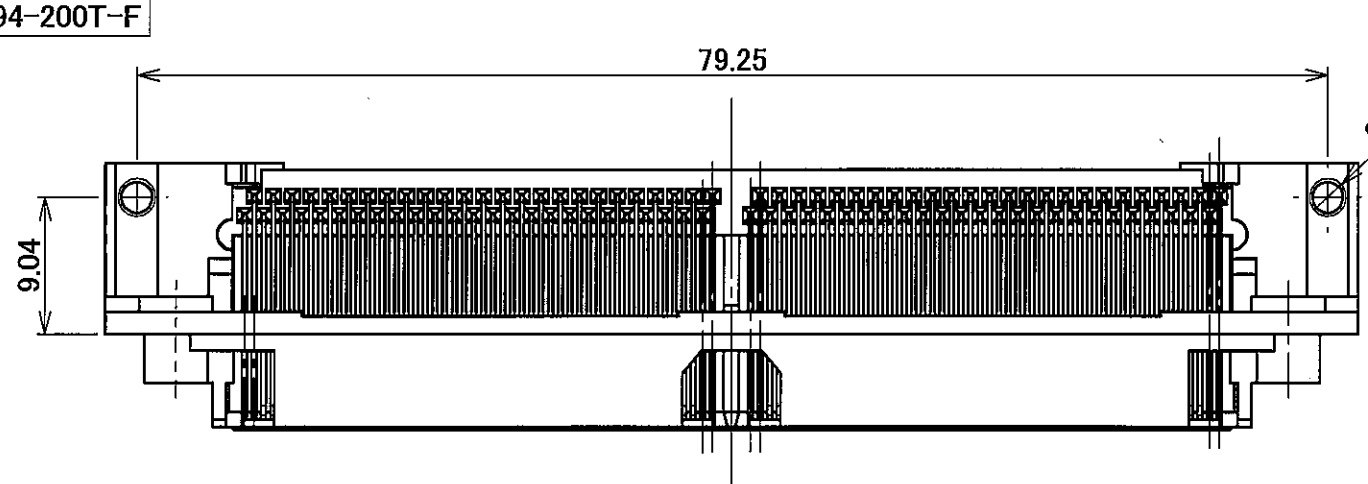


PART NO.
30094-200T-F



NOTE
 1.CONNECTOR TO BE MATED : 30007-200T-03*
 2.MATERIALS
 METAL SHELL : Zn ALLOY
 PLUG INSULATOR : PPS(BLACK),UL94V-0
 PLUG CONTACT : COPPER ALLOY
 3.CONTACT FINISH
 UNDERCOAT : Ni OVER Cu
 CONTACT AREA : Au FLASH OVER Pd-Ni
 SOLDER AREA : Au FLASH

GENERAL TOLERANCE	
6 MAX.	±0.2
6 OVER MAX.30	±0.3
30 OVER MAX.120	±0.5
ANGLE	±2°

DESIGN'D BY <i>J. Ohno</i>	DATE Oct/25/2005	 Interconnect and Packaging Electronics TOKYO, JAPAN										
CHKD BY	DATE											
APP'D BY <i>Takawa</i>	DATE Nov/09/05	TITLE MINIDOCK R/A PLUG ALL LONG PIN OFFSET TYPE										
REV	ECN	BY	DATE	APP	REV.RECORD SERIES No.	CUSTOMER COPY	PROJECTION	SCALE	UNIT	DWG. No.	SHEET	REV.
								2:1	mm	30094	1/1	0