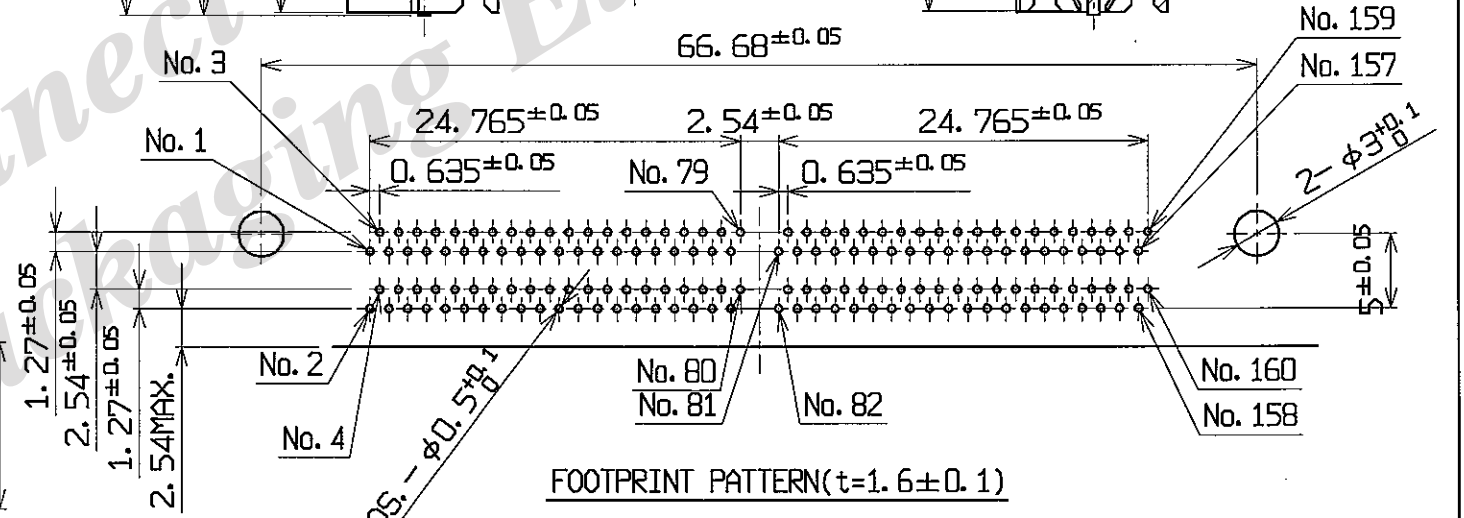
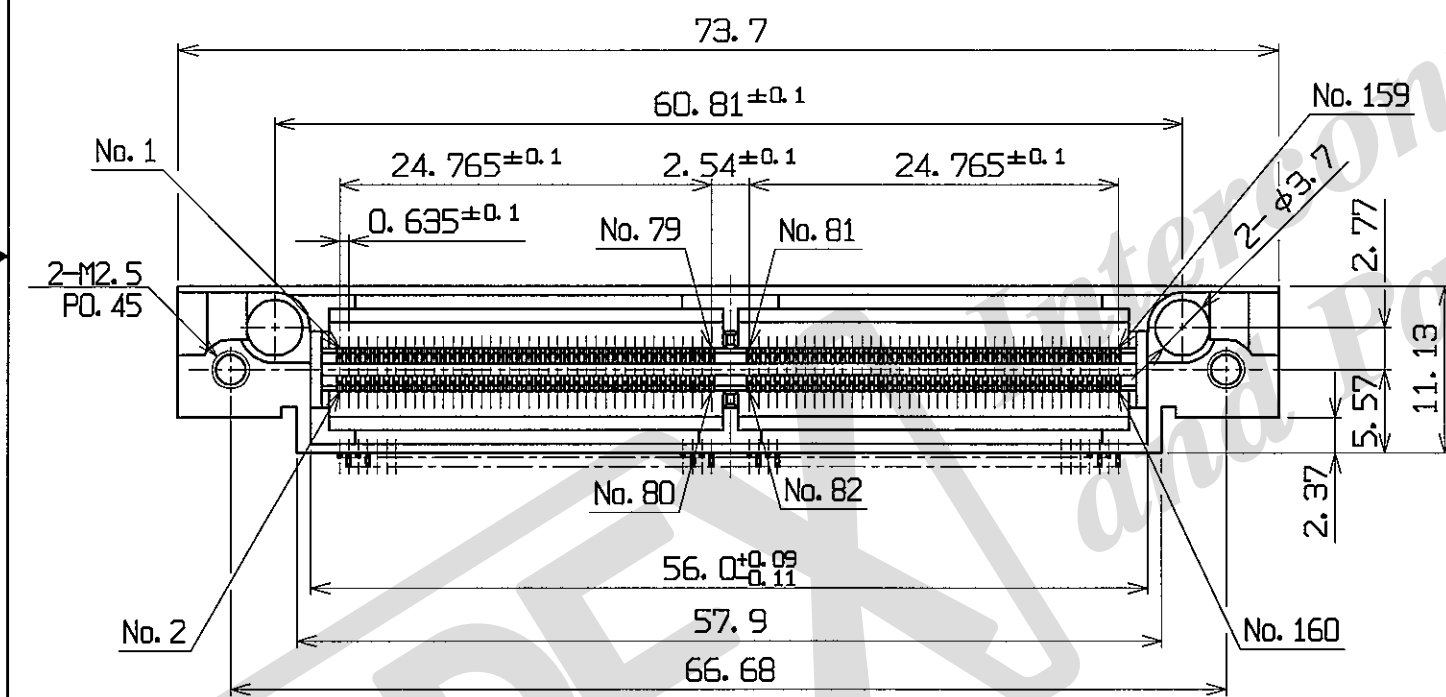
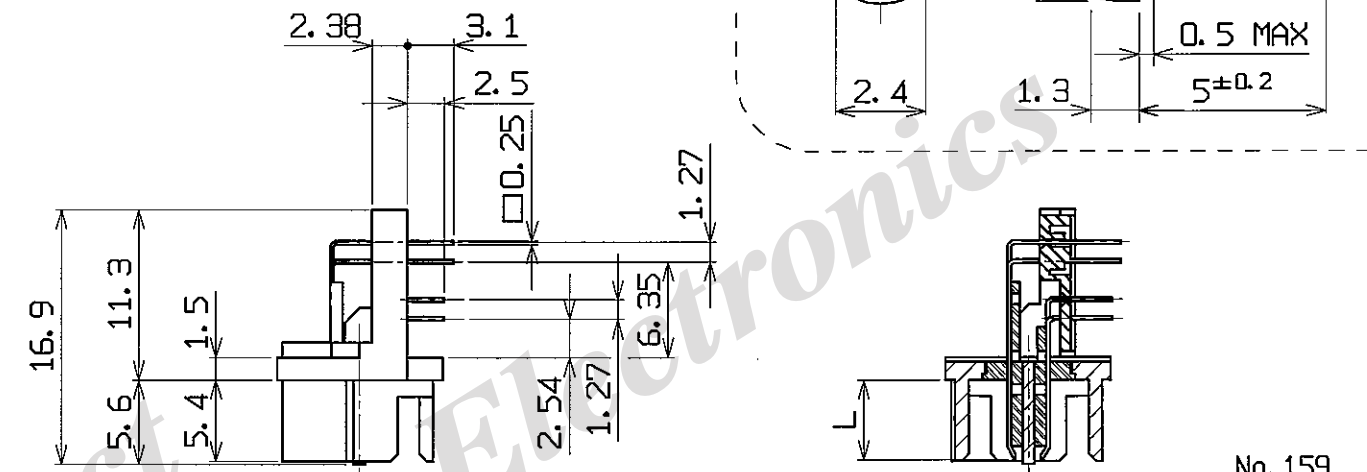
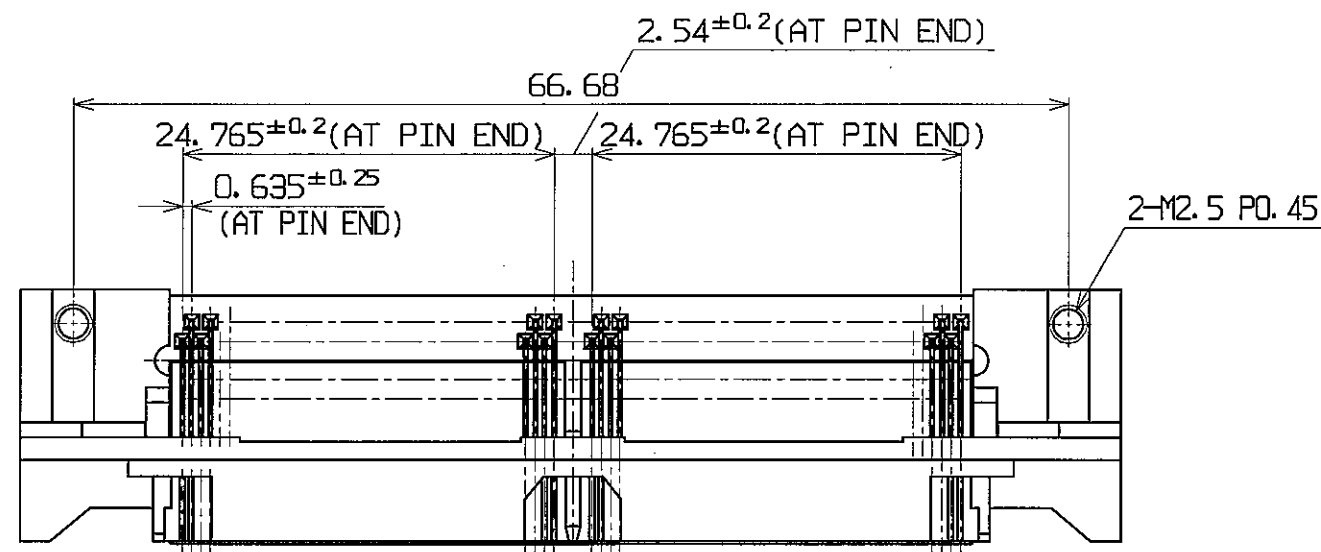
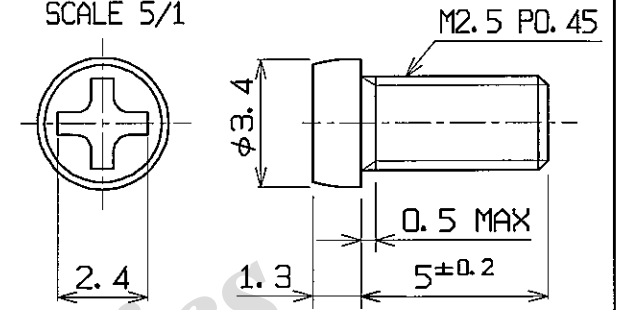


PART NO.	L-PIN(L=5.36)	S-PIN(L=3.96)	SCREW
30057-160T-*	17, 18, 31, 32, 45, 46, 59, 60, 73, 74, 87, 92 107, 110, 121, 125, 128, 129, 141, 152, 159	OTHERS	4 pieces

30057-160T-
 * = NOTHING NOT Pb FREE
 * = F Pb FREE

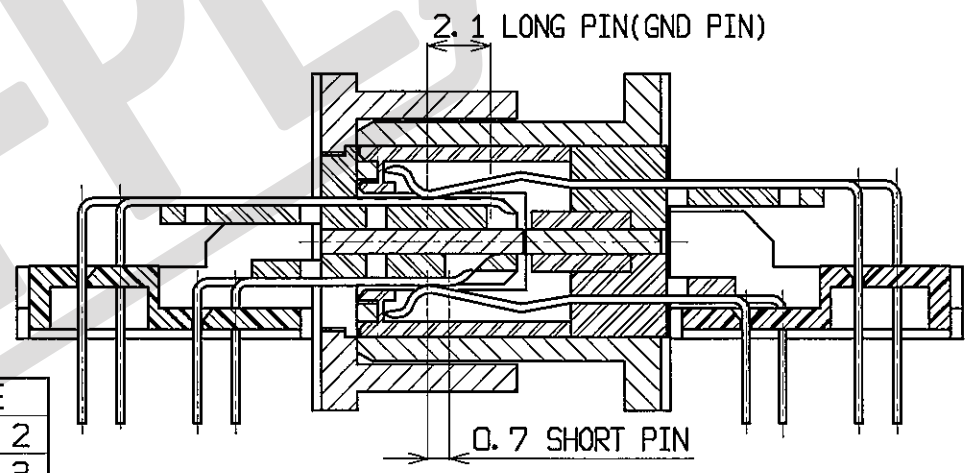
SCREW 90023-001
 SCALE 5/1



FOOTPRINT PATTERN(t=1.6±0.1)

NOTES

- CONNECTOR TO BE MATED: 30002
- PRODUCT SPECIFICATION: PRS-1011
- MATERIALS:
 METAL SHELL : Zn ALLOY
 : Ni OVER Cu PLATE
 INSULATOR : PPS(BLACK), UL94V-0
 LOCATER PLATE : PA(BLACK), UL94V-0
 CONTACT : COPPER ALLOY
- CONTACT FINISH
 UNDER COAT : Ni OVER ALL
 CONTACT AREA : Au FLASH OVER Pd/Ni
 SOLDER TAIL : * = NOTHING Sn/Pb : NOT Pb FREE
 * = F Au FLASH : Pb FREE



GENERAL TOLERANCE	
6 MAX.	±0.2
6 OVER MAX. 30	±0.3
30 OVER MAX. 120	±0.5
ANGLE	±2°

3	Z06107	J.O	Mar/23/06	Tak	DESIGN'D BY	DATE
2	Z8161	T.M	SEP/17/98	K.K	T. MATSUMOTO	JUL/29/98
1	Z8133	T.M	AUG/10/98	K.K	CHK'D BY	DATE
0	Z8129	T.M	JUL/29/98	K.K	T. HARADA	JUL/29/98
REV	ECN	BY	DATE	CHK	APP'D BY	DATE
					K. KATABUCHI	JUL/30/98
REV. RECORD					CUSTOMER COPY	PROJECTION
SERIES No. 3010						SCALE UNIT DWG. No.
						2/1 mm 30057



TITLE		MINIDOCK PLUG R/A 160P(RSQ) GUIDE WALL TYPE	
SHEET	REV.		
1/1	3		