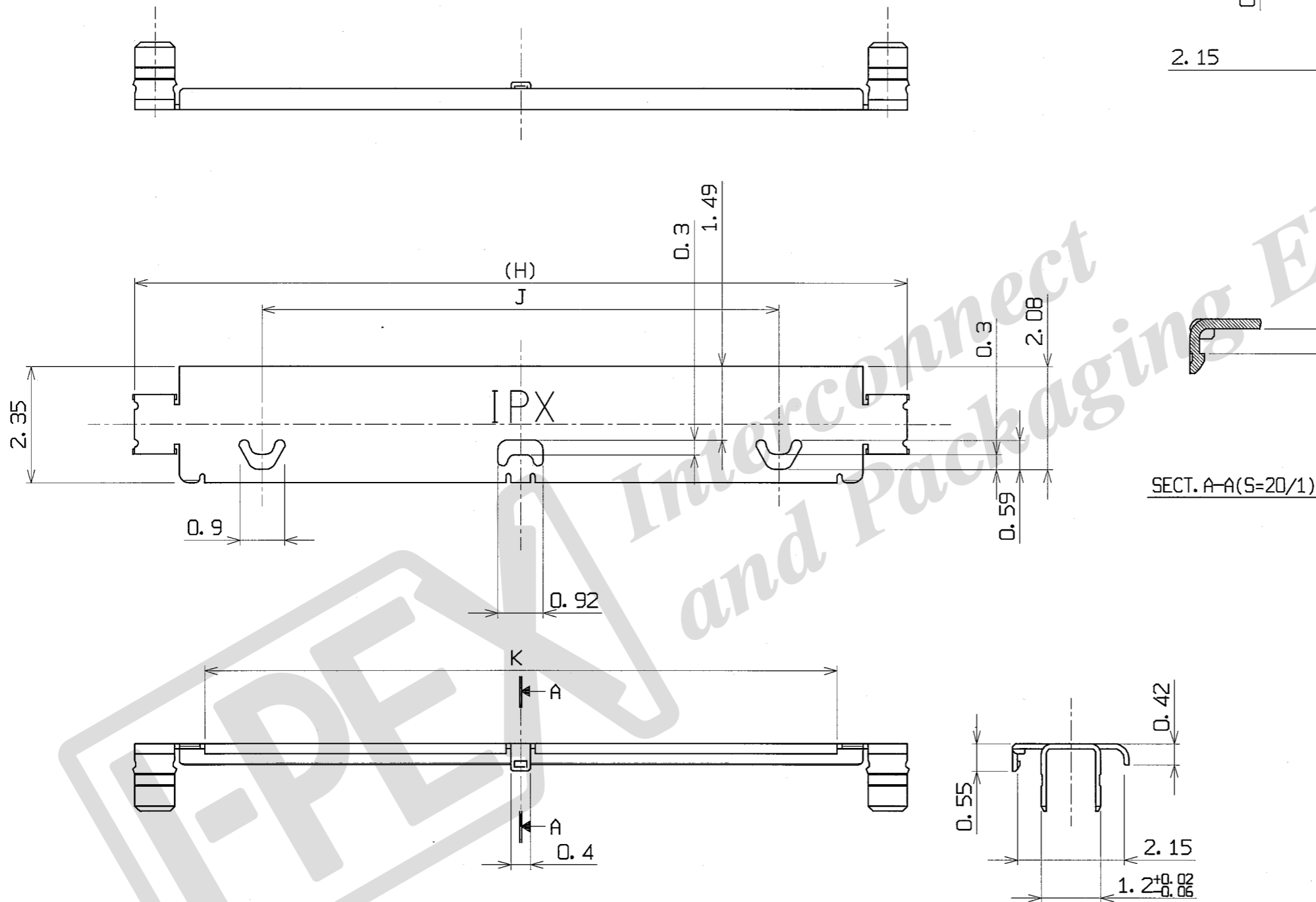


PART NO.	POS	H	J	K
2280-032-**	32	13.3	8.1	10.45
2280-040-**	40	15.7	10.5	12.85
2280-044-**	44	16.9	11.7	14.05
* 2280-050-**	50	18.7	13.5	15.85

\* : UNDERDEVELOPMENT



- NOTES.
- MATERIAL  
COPPER ALLOY t=0.1
  - FINISH  
01 : Ni下地 Sn(32, 40P ONLY)  
02 : Ni下地 Au

P/N: 2280-0\*\*\*\*

メッキ仕様  
01 : Ni下地Sn(32, 40P ONLY)  
02 : Ni下地Au  
Pos.

GENERAL TOLERANCE	
6 MAX.	±0.2
6 OVER MAX. 30	±0.3
30 OVER MAX. 120	±0.5
ANGLE	±2°

8	207071	M. T	Feb/13/07	ZK	DESIGN'D BY	DATE
7	206665	M. T	Dec/06/06	E. K	K. NARITA	May/09/05
6	206173	H. I	Apr/18/06	E. K	CHK'D BY	DATE
5	206002	K. N	Jan/06/06	E. K	E. KAWABE	May/13/05
4	205488	K. Y	Sep/30/05	T. H	APP'D BY	DATE
REV	ECN	BY	DATE	APP	T. HARADA	May/13/05
REV. RECORD					CUSTOMER COPY	PROJECTION
SERIES No.						

**I-PEX** Interconnect  
and Packaging Electronics  
TOKYO, JAPAN

TITLE		SCALE	UNIT	DWG. No.	SHEET	REV.
CABLIME-MS PLUG METAL COVER		10/1	mm	2280	1/1	8