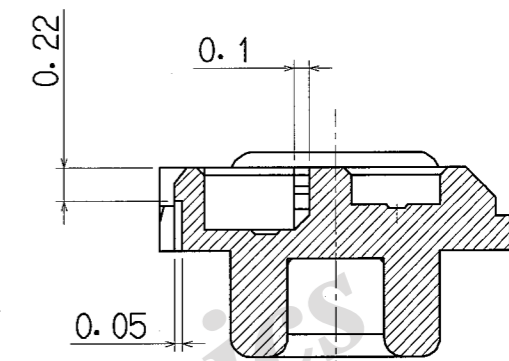
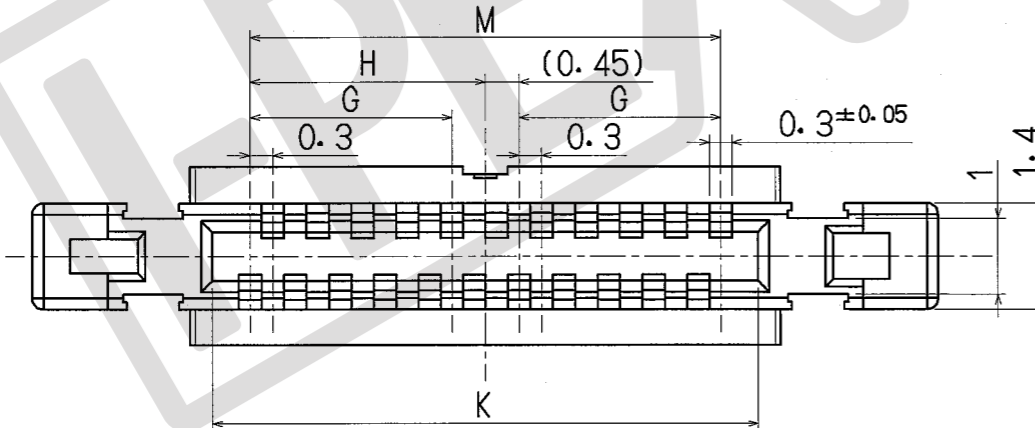
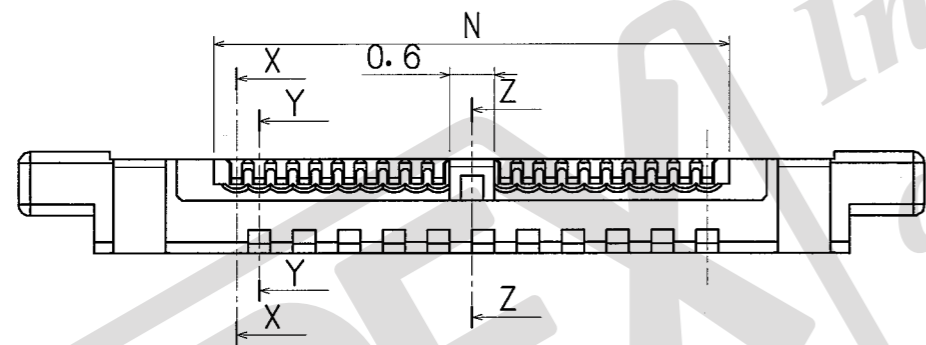
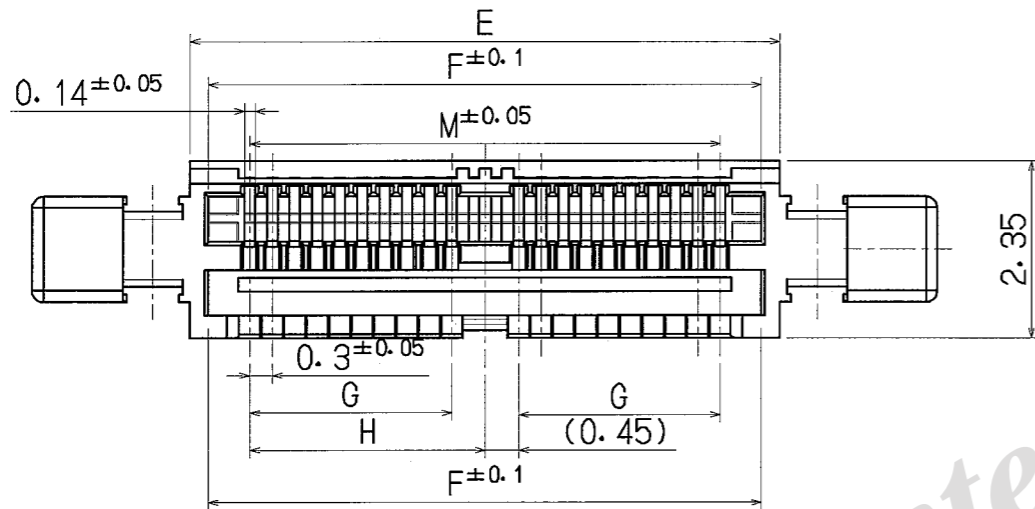
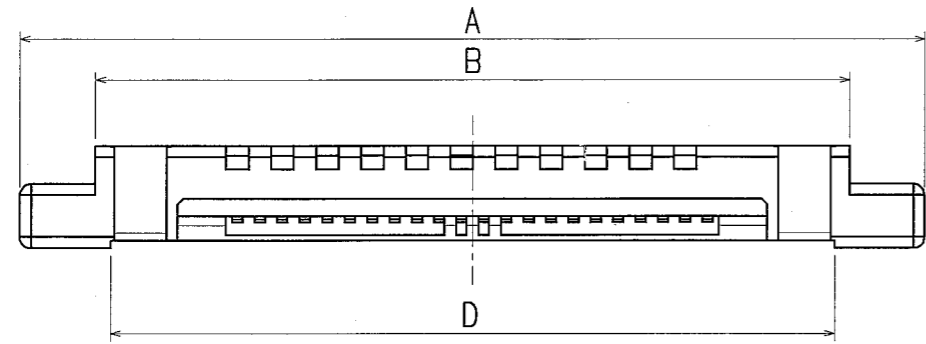
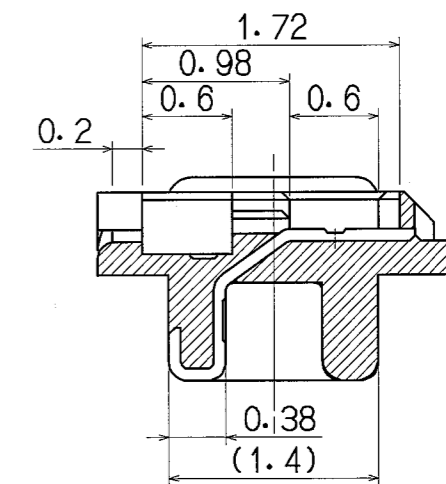


PART NO.	POS	A	B	D	E	F	G	H	K	M	N
20395-032T	32	15.7	13.7	13.3	11.5	11.0	4.5	4.95	10.9	9.9	10.5
20395-040T	40	18.1	16.1	15.7	13.9	13.4	5.7	6.15	13.3	12.3	12.9

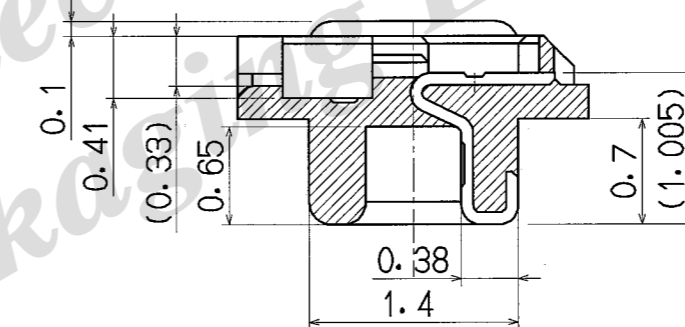
32P, 40P 形状



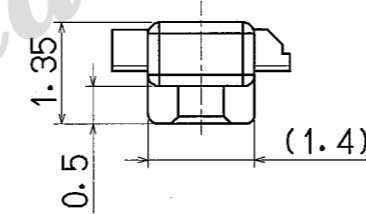
SECT. Z-Z



SECT. Y-Y


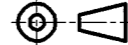


SECT. X-X



NOTES.
 1. MATERIAL & FINISH
 ·HOUSING : LCP, UL94V-0, BLACK
 ·CONTACT : COPPER ALLOY, Au OVER Ni
 2. THIS PART IS ASSEMBLED WITH METAL COVER (P/N 2280-0****)
 AFTER SOLDERED THE COAXIAL CABLE, AND IT BECOMES
 P/N 20396-0**T***

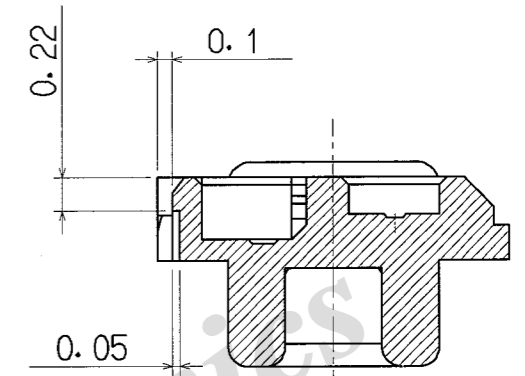
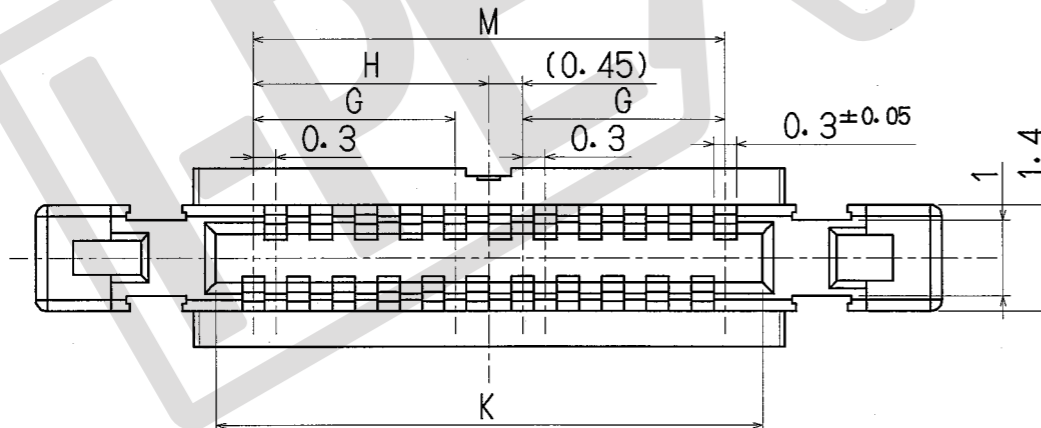
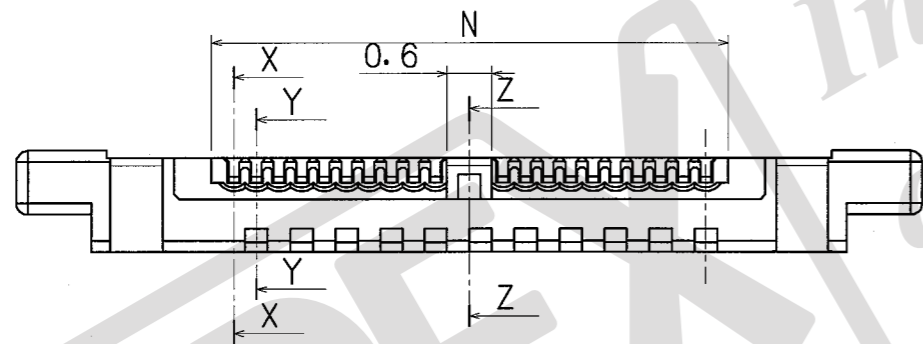
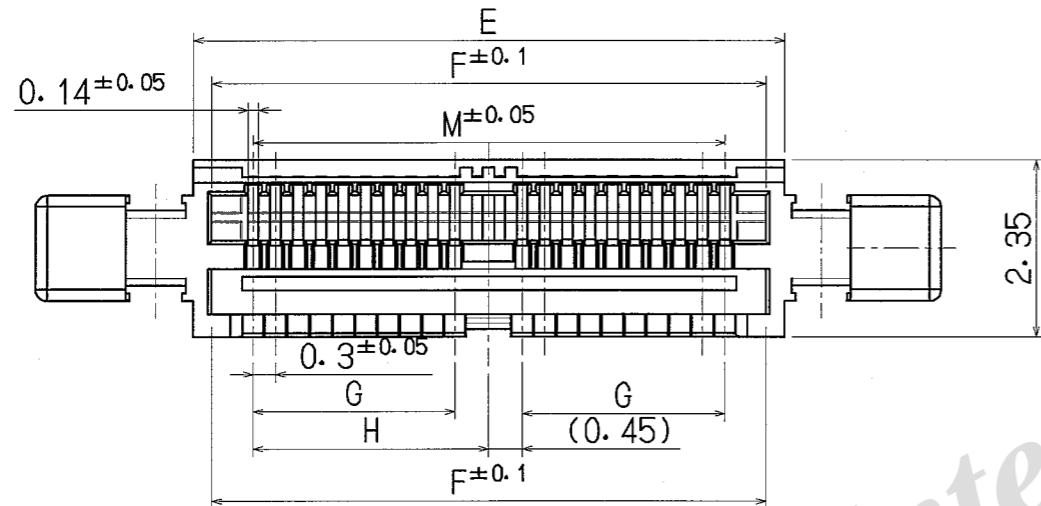
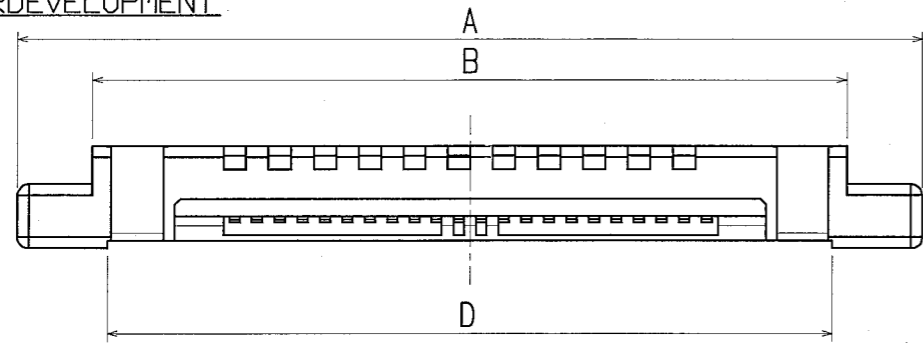
GENERAL TOLERANCE	
6 MAX.	±0.2
6 OVER MAX. 30	±0.3
30 OVER MAX. 120	±0.5
ANGLE	±2°

4	Z07071	M. T	Feb/13/07	ER	DESIGN'D BY	DATE	 Interconnect and Packaging Electronics <small>TOKYO, JAPAN</small>			
3	Z06665	M. T	Dec/06/06	E. K	K. NARITA	May/09/05				
2	Z06002	K. N	Jan/06/06	E. K	CHK'D BY	DATE				
1	Z05241	K. N	May/20/05	T. H	E. KAWABE	May/13/05				
0	Z05217	K. N	May/09/05		APP'D BY	DATE				
REV	ECN	BY	DATE	APP	T. HARADA	May/13/05	TITLE			
REV. RECORD					CUSTOMER COPY		CABLNE-MS PLUG HOUSING ASS'Y			
SERIES No.					PROJECTION	SCALE	UNIT	DWG. No.	SHEET	REV.
						10/1	mm	20395	1/2	4

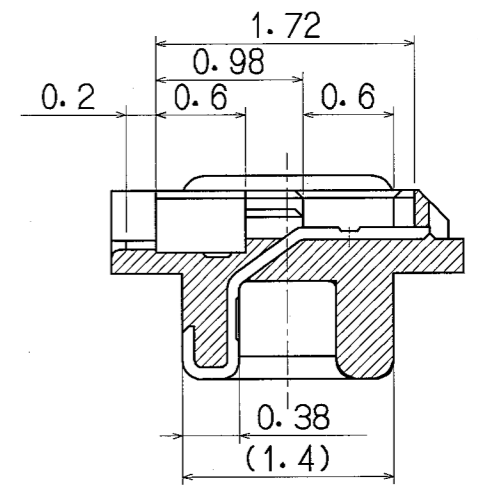
PART NO.	POS	A	B	D	E	F	G	H	K	M	N
20395-044T	44	19.3	17.3	16.9	15.1	14.6	6.3	6.75	14.5	13.5	14.1
* 20395-050T	50	21.1	19.1	18.7	16.9	16.4	7.2	7.65	16.3	15.3	15.9

44P, 50P 形状

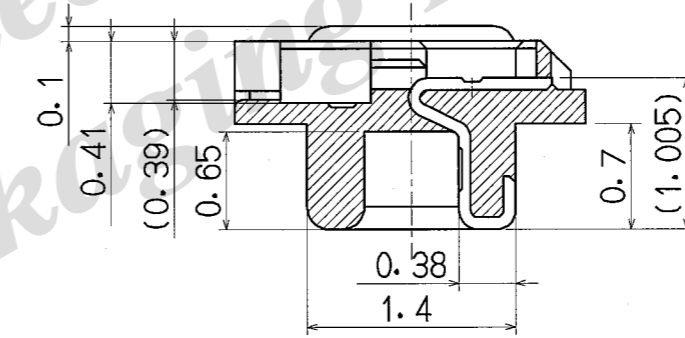
* : UNDERDEVELOPMENT



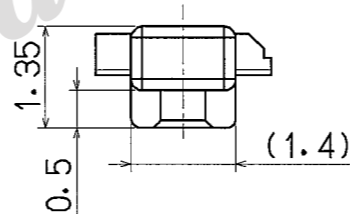
SECT. Z-Z




SECT. Y-Y



SECT. X-X



GENERAL TOLERANCE	
6 MAX.	±0.2
6 OVER MAX. 30	±0.3
30 OVER MAX. 120	±0.5
ANGLE	±2°

DESIGN'D BY	DATE	 Interconnect and Packaging Electronics TOKYO, JAPAN	TITLE		SHEET	REV.
CHK'D BY	DATE		CABLINE-MS PLUG HOUSING ASS'Y			
APP'D BY	DATE		SCALE	UNIT		
CUSTOMER COPY	PROJECTION	10/1	mm	20395	2/2	4