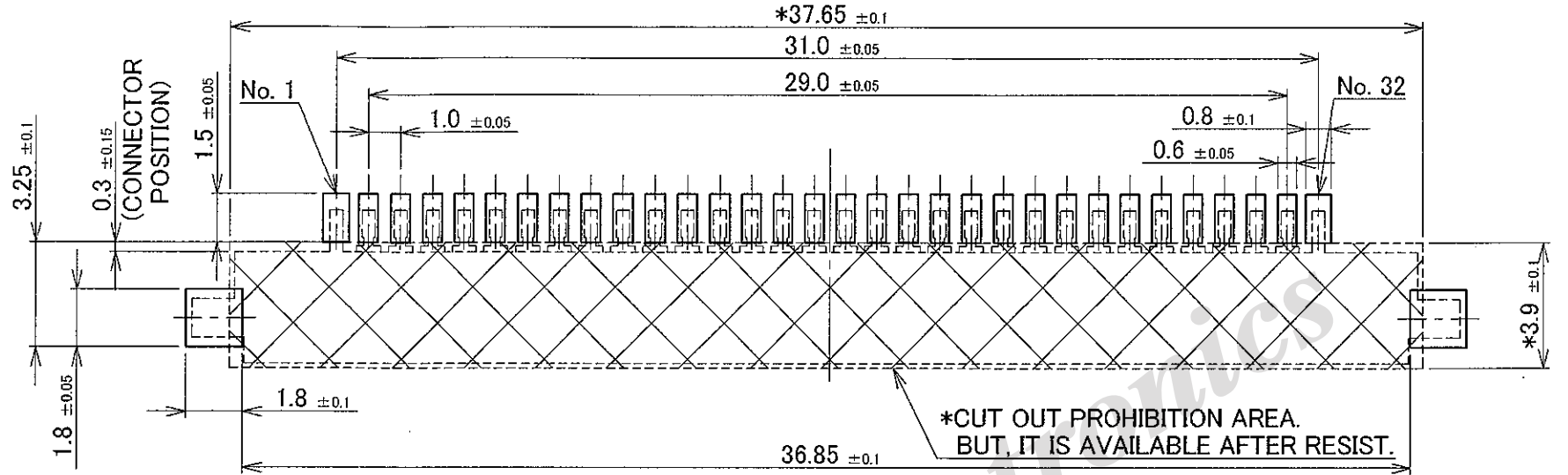
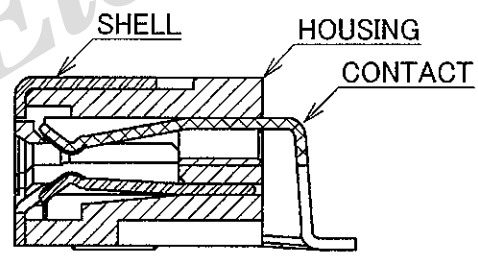
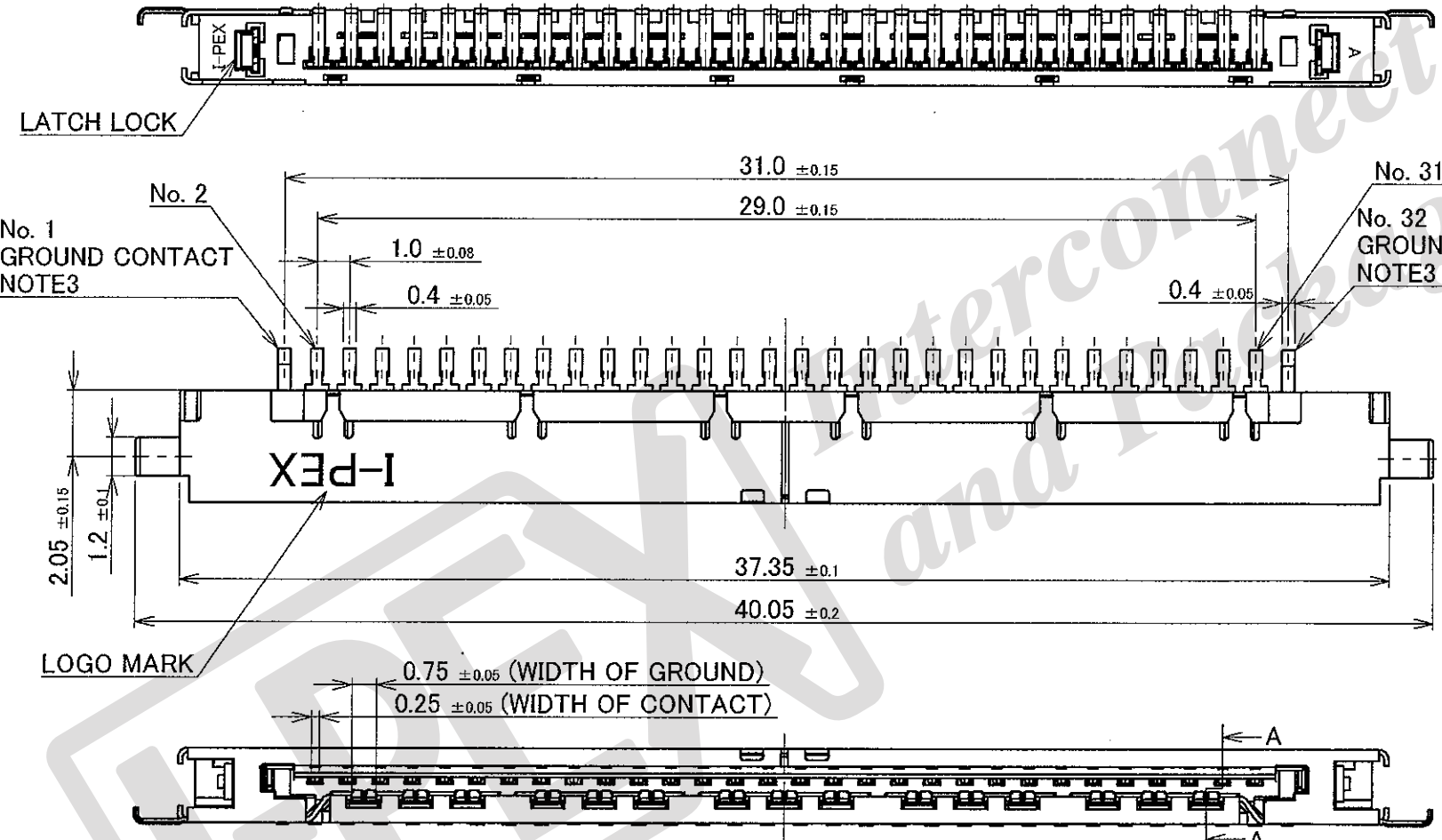


PART NO.	C/T MATING SIDE: Au PLATING	Ni UNDER PLATING
20389-030E	0.7 μm MIN.	1.5 μm MIN.
20389-130E	0.1 μm MIN.	1.27 μm MIN.

ZERO OFFSET STANDARD TYPE



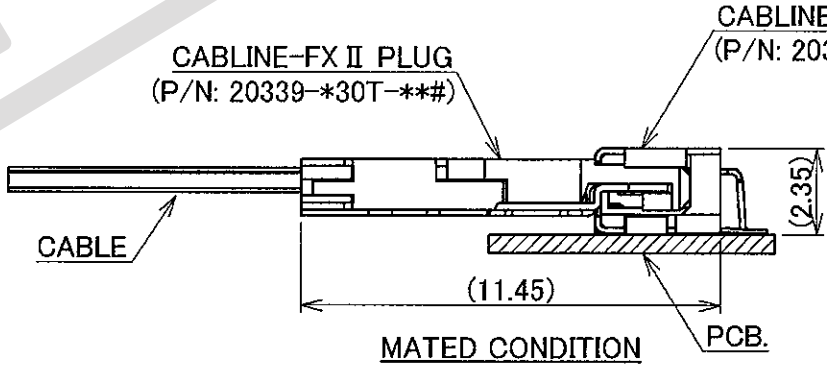
RECOMMENDED PATTERN LAYOUT



SECT. A-A (S=10/1)

NOTES

- MATERIAL**
 - HOUSING : LCP(GLASS REINFORCED) UL94V-0, COLOR-BLACK
 - CONTACT : PHOSPHOR BRONZE
 - MATING SIDE : Au 0.7 μm MIN. (20389-030E) OVER Ni 1.5 μm MIN. UNDER PLATING Au 0.1 μm MIN. (20389-130E) OVER Ni 1.27 μm MIN. UNDER PLATING
 - TAIL SIDE : Au FLASH.
 - SHELL : PHOSPHOR BRONZE Sn 1~5 μm OVER Ni 1.27 μm UNDER PLATING
 - LATCH LOCK : STAINLESS STEEL
- COPLANARITY** : 0.1MAX.
- TERMINALS No. 1 & No. 32 ARE APPROPRIATE FOR GROUND CONTACTS.**



GENERAL TOLERANCE	
6 MAX.	±0.2
6 OVER MAX. 30	±0.3
30 OVER MAX. 120	±0.5
ANGLE	±2°

REV	ECN	BY	DATE	APP	DESIGN'D BY	DATE
4	Z06148	T.B	Apr./25/06	T.H	H. M	Feb./22/'05
3	Z06122	T.B	Mar./15/'06	T.H	CHK'D BY	DATE
2	Z06078	T.B	Feb./28/'06	T.H	Y. H	Feb./23/'05
1	Z05433	T.B	Sep./08/'05	E.K	APP'D BY	DATE
0	Z05078	H.M	Feb./22/'05		T. Harada	Feb./24/'05

I-PEX Interconnect and Packaging Electronics TOKYO, JAPAN

TITLE: CABLINE-FX II RECE. ASS'Y ZERO OFFSET STANDARD TYPE

SCALE: 5:1 UNIT: mm DWG. No. 20389 SHEET 1/1 REV. 4