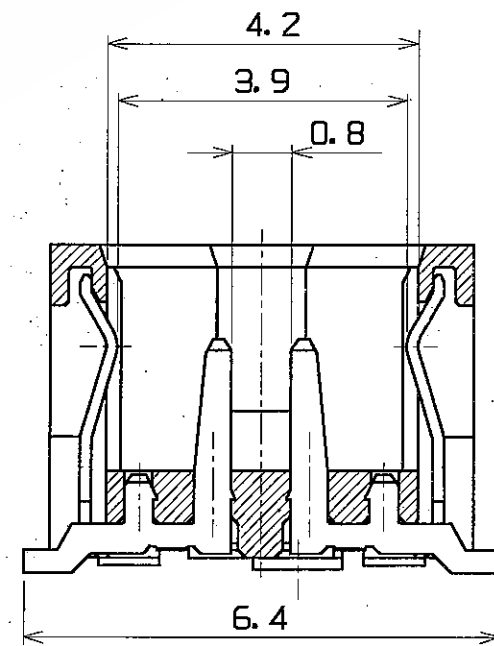
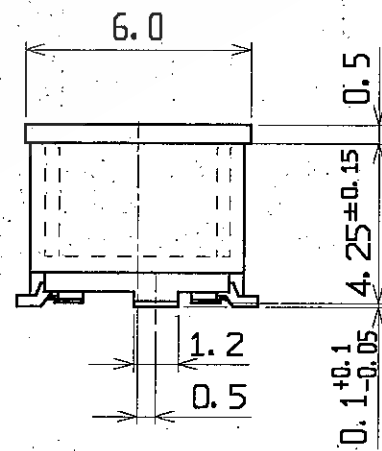
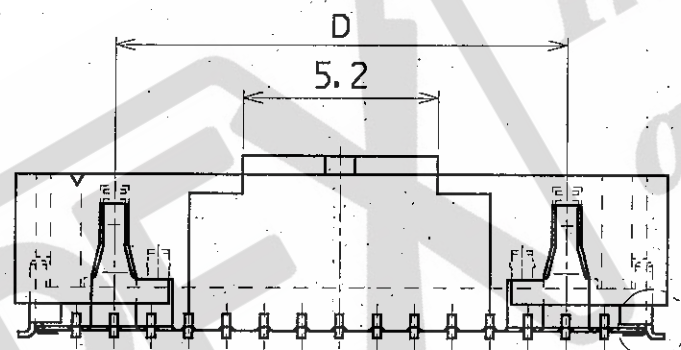
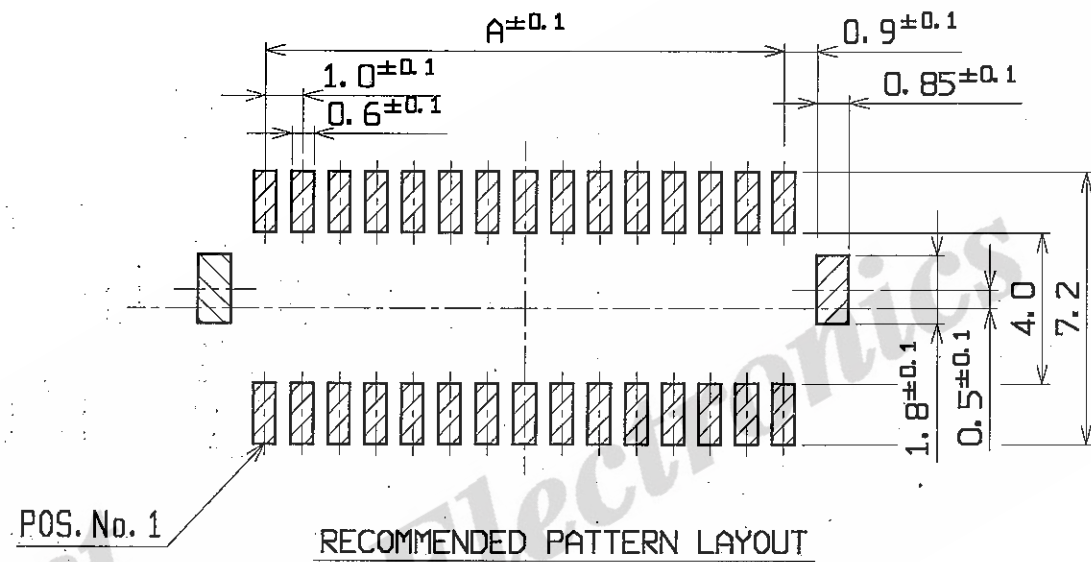
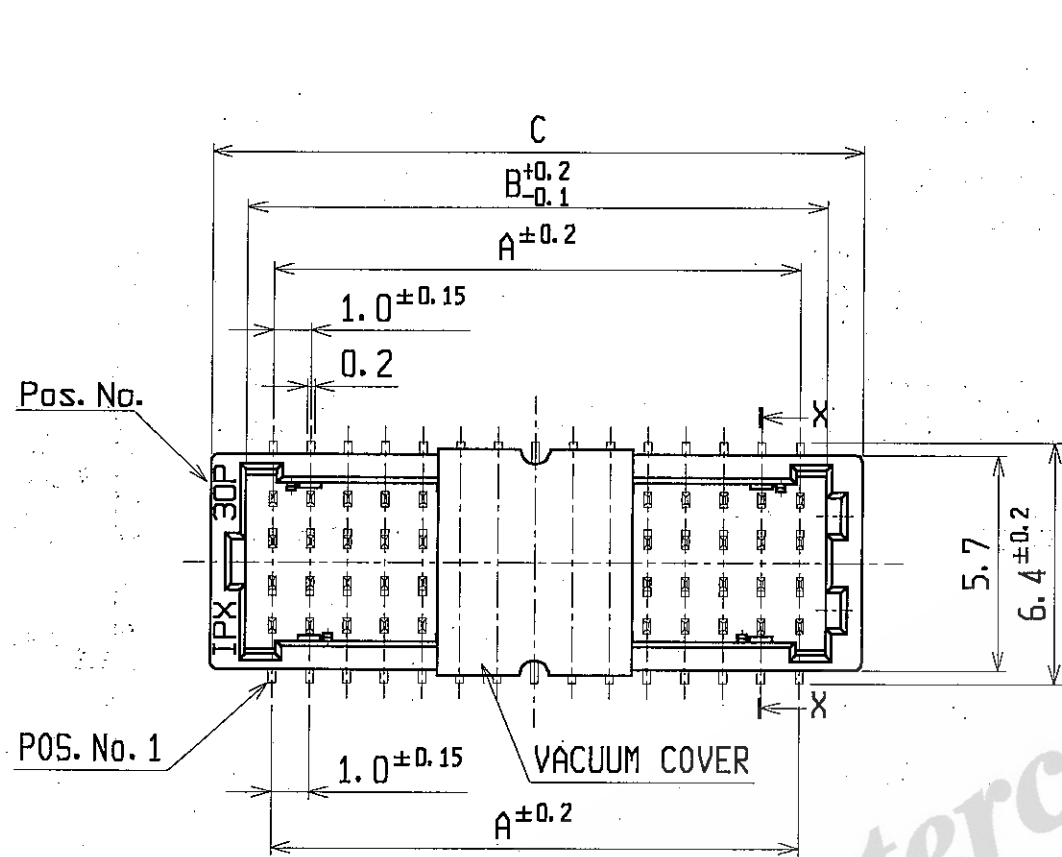


PART NO.	A	B	C	D	E	F	LEAD FREE
◆ 20381-030E-00F	14.0	15.4	17.3	12.0	7.0	6.05	YES
20381-040E-00F	19.0	20.4	22.3	17.0	9.5	8.55	

◆: MARK MEANS UNDER DEVELOPING.



- Notes:
- Material
Housing: PA46, Natural (94V-0)
Cover: PA46, Natural (94V-0)
Contact: Copper Alloy
Hold Down: Copper Alloy
 - Finish:
Contact: Au Flash Over Ni
Hold Down: Sn Over Ni
 - Coplanarity: 0.1Max.

GENERAL TOLERANCE	
6 MAX.	±0.2
6 OVER MAX. 30	±0.3
30 OVER MAX. 120	±0.5
ANGLE	±2°

REV	ECN	BY	DATE	APP	DESIGN'D BY	DATE
1	Z04370	T. K	Oct/25/04	T. K	T. K	AUG/31/04
0	Z04308	T. K	AUG/31/04	Y. H	Y. H	SEP/02/04
REV. RECORD				CUSTOMER COPY		
SERIES No.				PROJECTION		

I-PEX Interconnect and Packaging Electronics TOKYO, JAPAN

TITLE: DUALCOAX HEADER H TYPE ASS'Y

SCALE: 5/1 UNIT: mm DWG. No.: 20381 SHEET: 1/1 REV.: 1