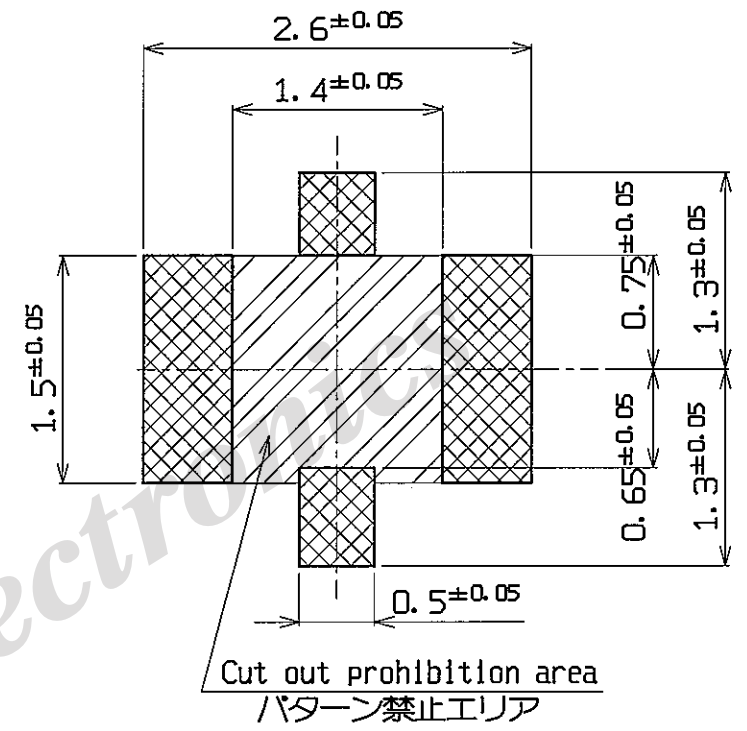
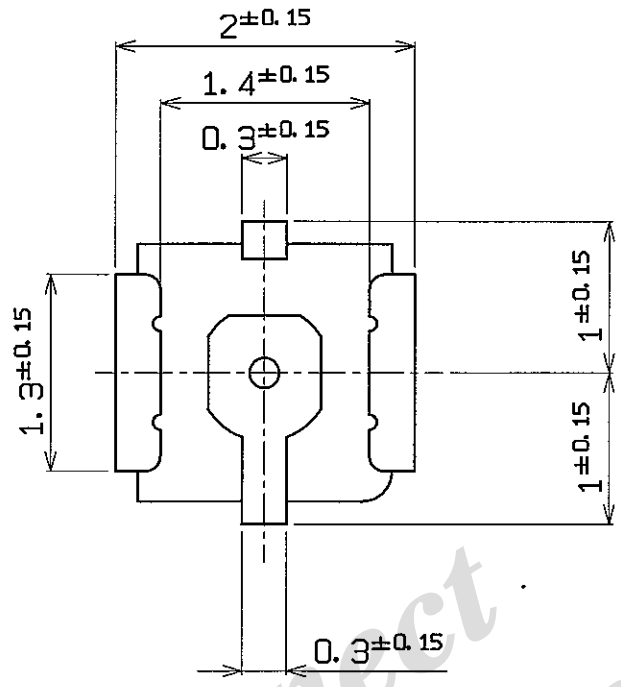
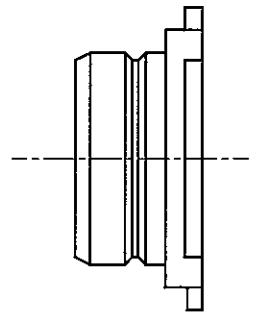
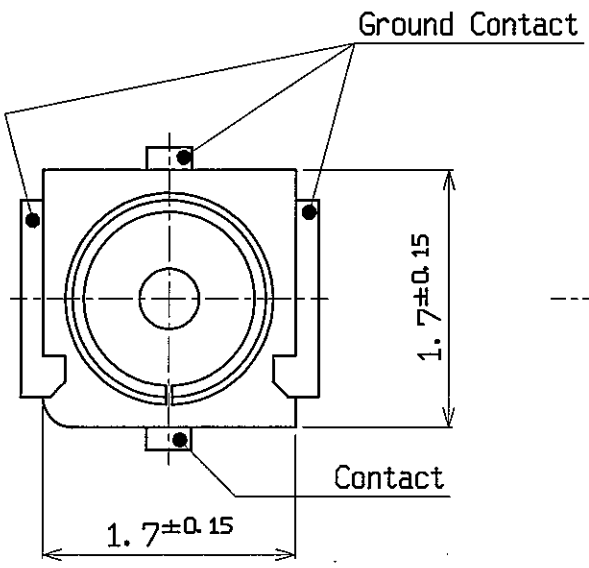
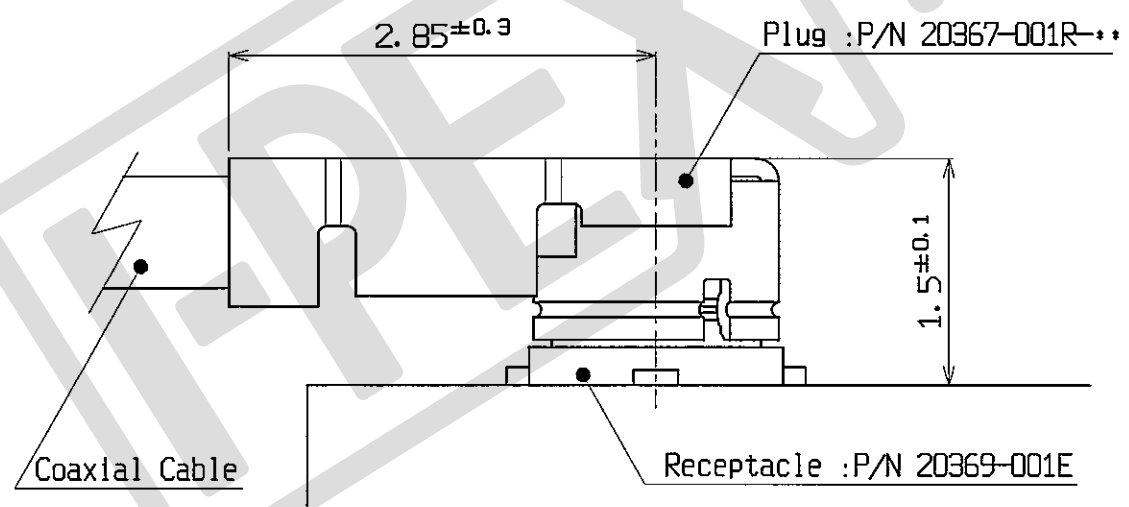
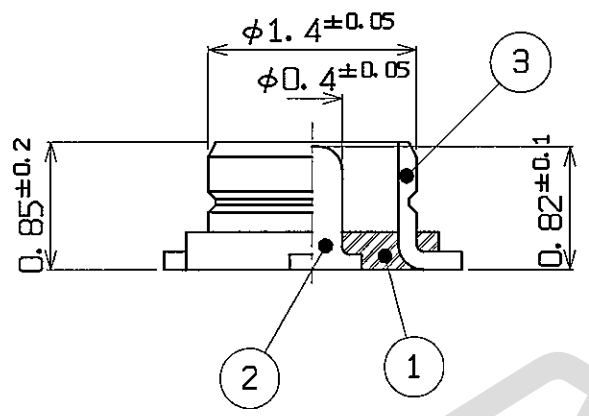


PART NO.
20369-001E



RECOMMENDED FOOTPRINT PATTERN



注記

- 1. MATERIAL
 - HOUSING : LCP (GF=30%) BLACK UL94V-0
 - ◎ CONTACT : BRASS Au 0.05μm MIN. OVER Ni 1.27μm MIN.
 - ◎ GROUND CONTACT : PHOSPHOR BRONZE Au 0.03μm MIN. OVER Ni 1.27μm MIN.
- 2. COPLANARITY : 0.10mm MAX.
- 3. PACKING : EMBOSS TAPE

GENERAL TOLERANCE	
6 MAX.	±0.2
6 OVER MAX. 30	±0.3
30 OVER MAX. 120	±0.5
ANGLE	±2°

MATING

3	205306	Y.H	JUL/01/05	T.H	DESIGN'D BY	T. TAKANO	DATE	Mar./01/04			
2	205231	TOM	MAY/16/05	T.H	CHK'D BY		DATE				
1	205025	TOM	JAN/20/05	T.H	T. HARADA	Mar./02/04	TITLE				
0	204066	TOM	MAR/01/04		APP'D BY	K. KATABUCHI	DATE	Mar./02/04			
REV. RECORD					CUSTOMER COPY	PROJECTION	SCALE	UNIT	DWG. No.	SHEET	REV.
SERIES No.						①	20/1	mm	20369	1/1	3

