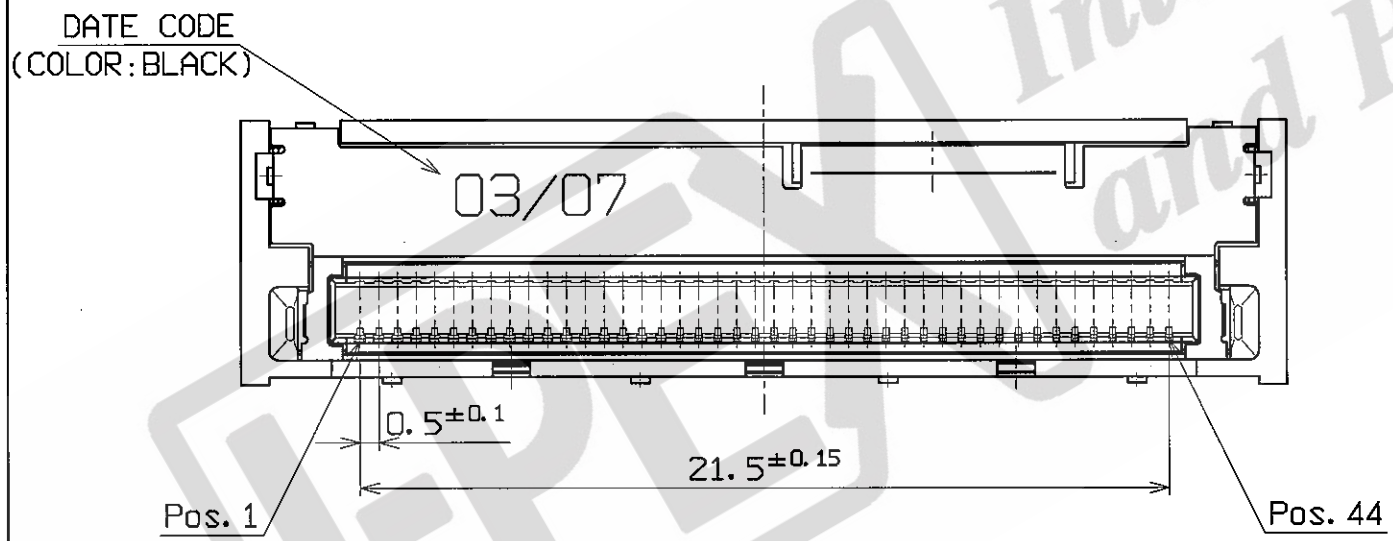
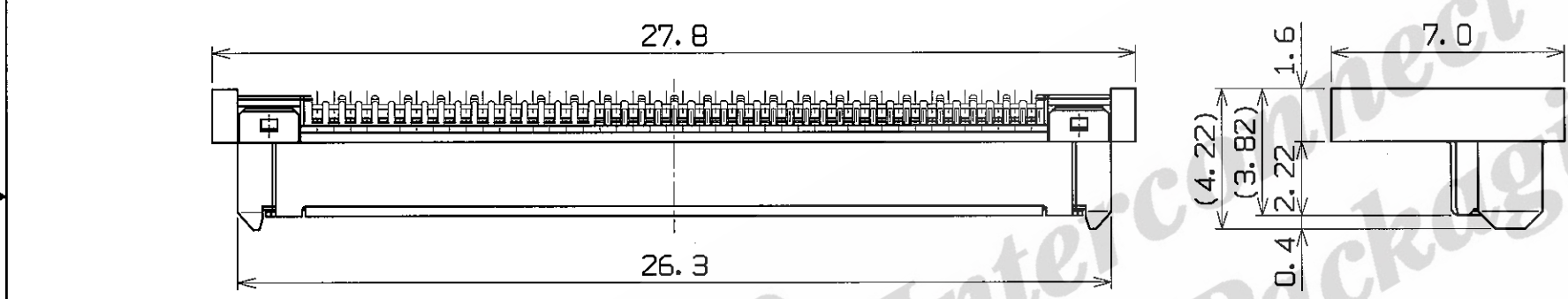
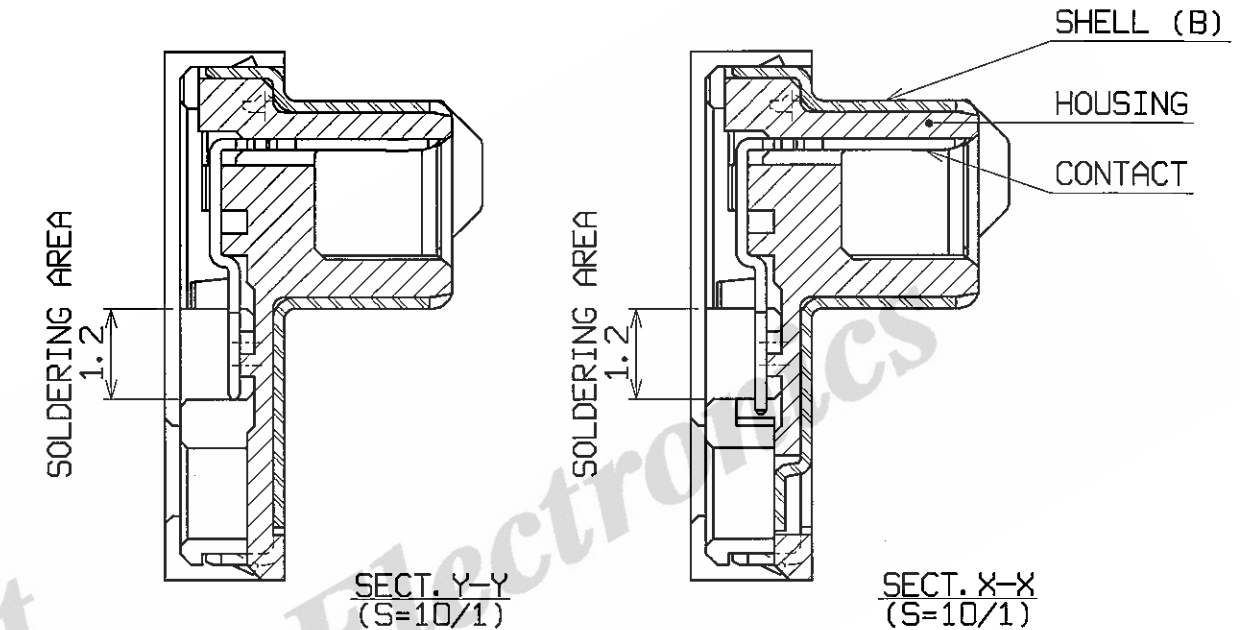
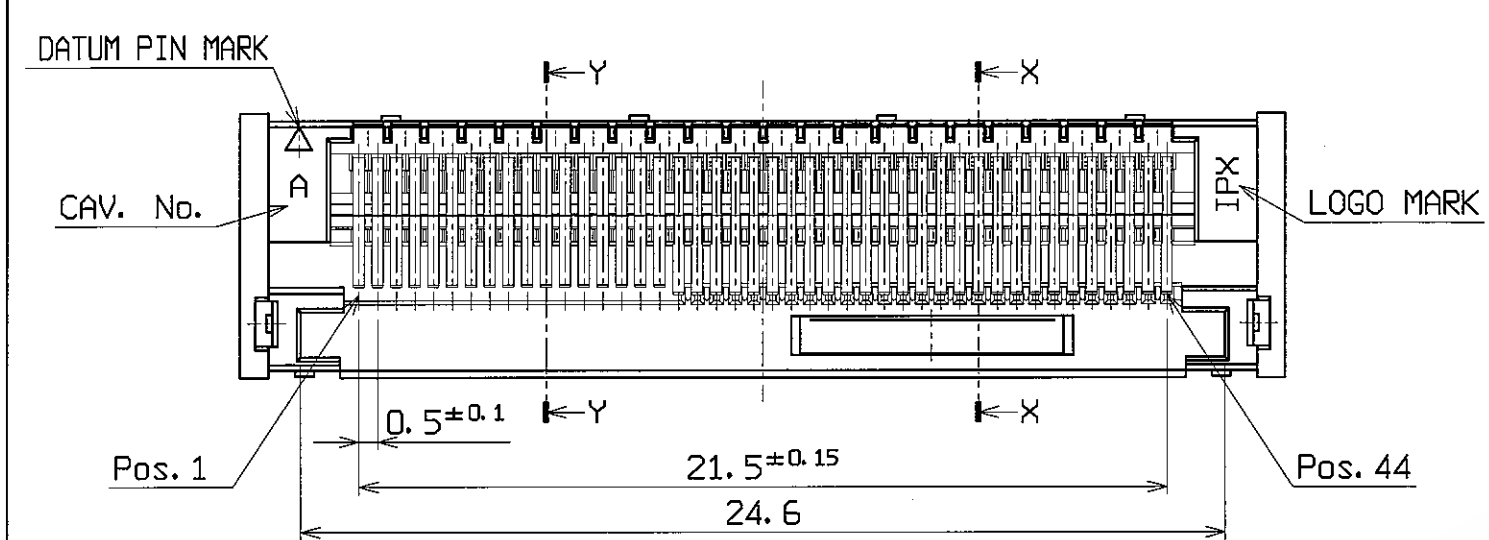



HSG. ASS' Y P/N	CONTACT FINISH		SHELL (B) FINISH	REMARK
	MATING SIDE	CABLE SIDE		
20336-044T-01F	Au0.7μm Min.	Au	Sn	For Lead Free
20336-Y44T-01F	Au0.2μm Min.	Au	Sn	For Lead Free



NOTES.
 1. MATERIAL&FINISH
 HOUSING:LCP(GLASS REINFORCED), UL94V-0, BLACK
 CONTACT:COPPER ALLOY
 SHELL (B):COPPER ALLOY
 2. THIS PART IS ASSEMBLED WITH SHELL(P/N:2004-044*F)
 AFTER SOLDERED THE COAXIAL CABLE, AND IT BECOMES
 P/N:20329-*44T-01F.

GENERAL TOLERANCE	
6 MAX.	±0.2
6 OVER MAX. 30	±0.3
30 OVER MAX. 120	±0.5
ANGLE	±2°

DESIGN D BY	DATE	 Interconnect and Packaging Electronics TOKYO, JAPAN
7 206396 K.T. Aug./18/06	H. TAKAHASHI Aug/19/02	
6 206171 H. M. Apr/18/06	T. H. CHK'D BY DATE	
5 204133 H. T. Apr/20/04	K. K. Y. H. Aug/19/02	
4 204011 H. T. Jan/15/04	K. K. APP'D BY DATE	
REV ECN BY DATE APP	E. KAWABE Aug/22/02	TITLE
REV. RECORD		FPL-D CONN. PLUG HOUSING ASS' Y
SERIES No.	CUSTOMER COPY	SCALE UNIT DWG. No. SHEET REV.
	PROJECTION	5/1 mm 20336 1/1 7