

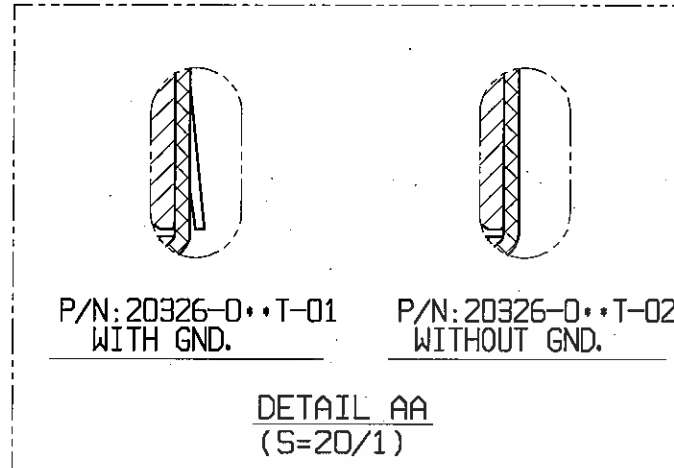
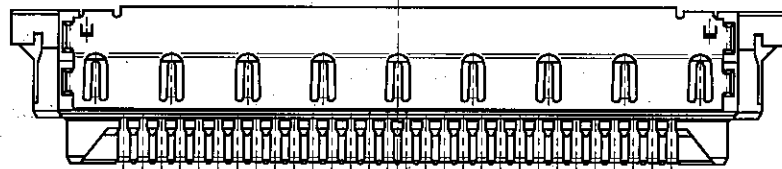
PART NO.	POS.	A	B	C	D	E
20326-010T-##	10	4.5	7.5	9.3	10.5	6.5
◆ 20326-020T-##	20	9.5	12.5	14.3	15.5	11.5
20326-030T-##	30	14.5	17.5	19.3	20.5	16.5
◆ 20326-040T-##	40	19.5	22.5	24.3	25.5	21.5

◆ MARK MEANS UNDER DEVELOPING.

※ EXAMPLE

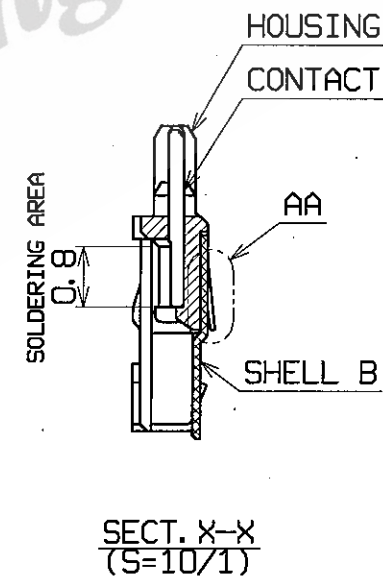
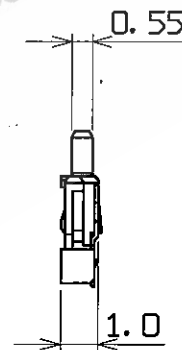
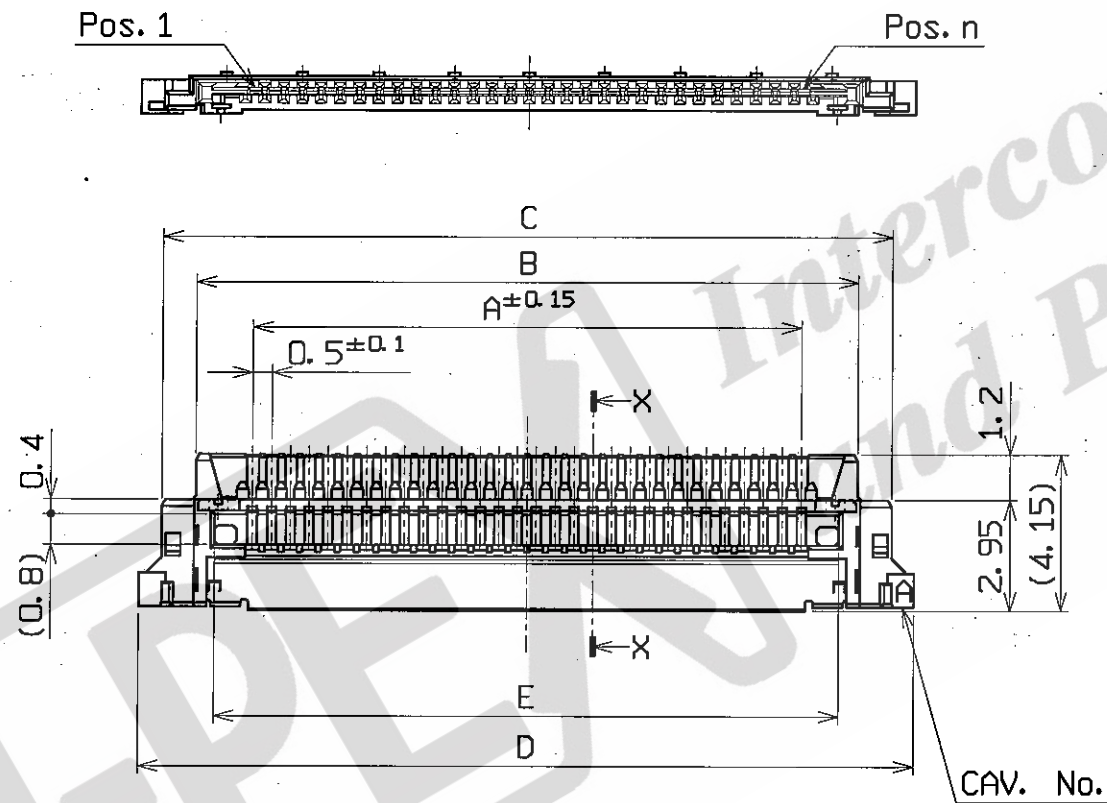
P/N: 20326-0**T-01 . . . WITH GND. (DETAIL AA)

P/N: 20326-0**T-02 . . . WITHOUT GND. (DETAIL AA)



NOTES

- MATERIAL & FINISH
HOUSING : LCP(GF REINFORCED), UL94V-0, BLACK
CONTACT : COPPER ALLOY Au OVER Ni
SHELL B : STAINLESS STEEL
- THIS PART IS ASSEMBLED WITH SHELL A(P/N 1978-###) AFTER SOLDERED THE COAXIAL CABLE, AND IT BECOMES P/N 20325-###T-##



GENERAL TOLERANCE	
6 MAX.	±0.2
6 OVER MAX. 30	±0.3
30 OVER MAX. 120	±0.5
ANGLE	±2°

4	DZ3105	J.M	Dec./08/03		DESIGN'D BY	DATE
3	DZ3061	H.M	Jun./17/03	K.K	H. TAKAHASHI	Nov./01/02
2	DZ2110	H.T	Dec./24/02	K.K	CHK'D BY	DATE
1	DZ2103	H.T	Nov./27/02	K.K	Y.H	Nov./01/02
0	DZ2092	H.T	Nov./01/02		APP'D BY	DATE
REV	ECN	BY	DATE	APP	K.K	Nov./05/02
REV. RECORD						CUSTOMER COPY
SERIES No.						

I-PEX		Interconnect and Packaging Electronics TOKYO, JAPAN	
TITLE			
CABLINER PLUG HOUSING ASS'Y			
SCALE	UNIT	DWG. No.	SHEET REV.
5/1	mm	20326	1/1 4