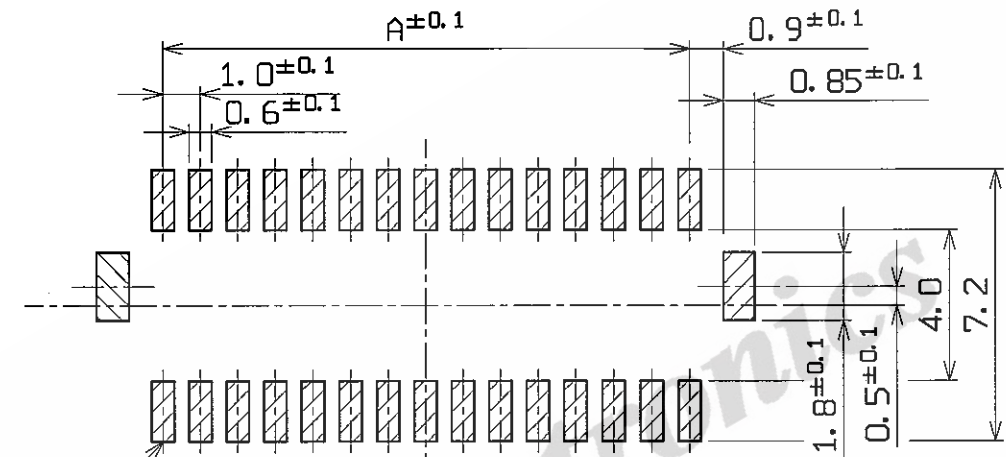
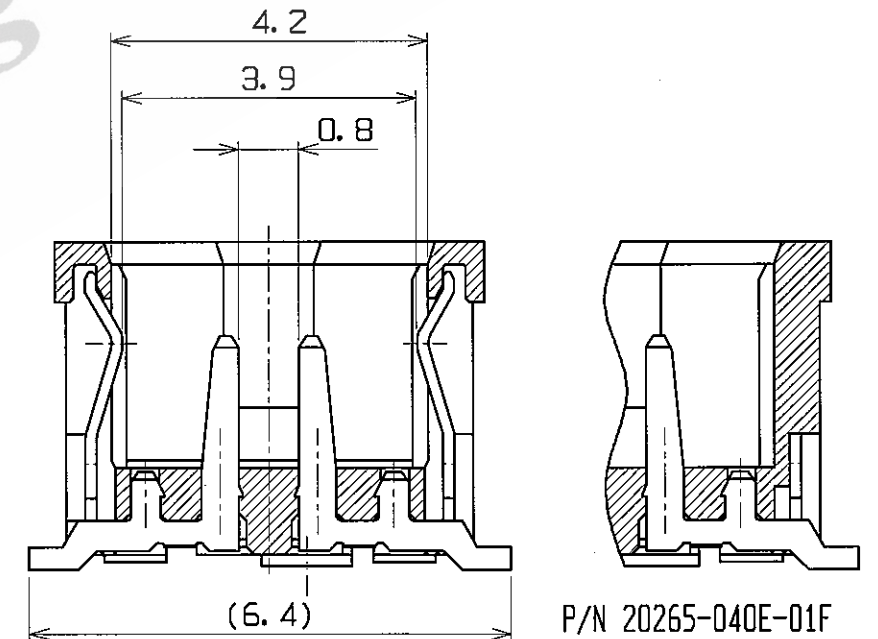
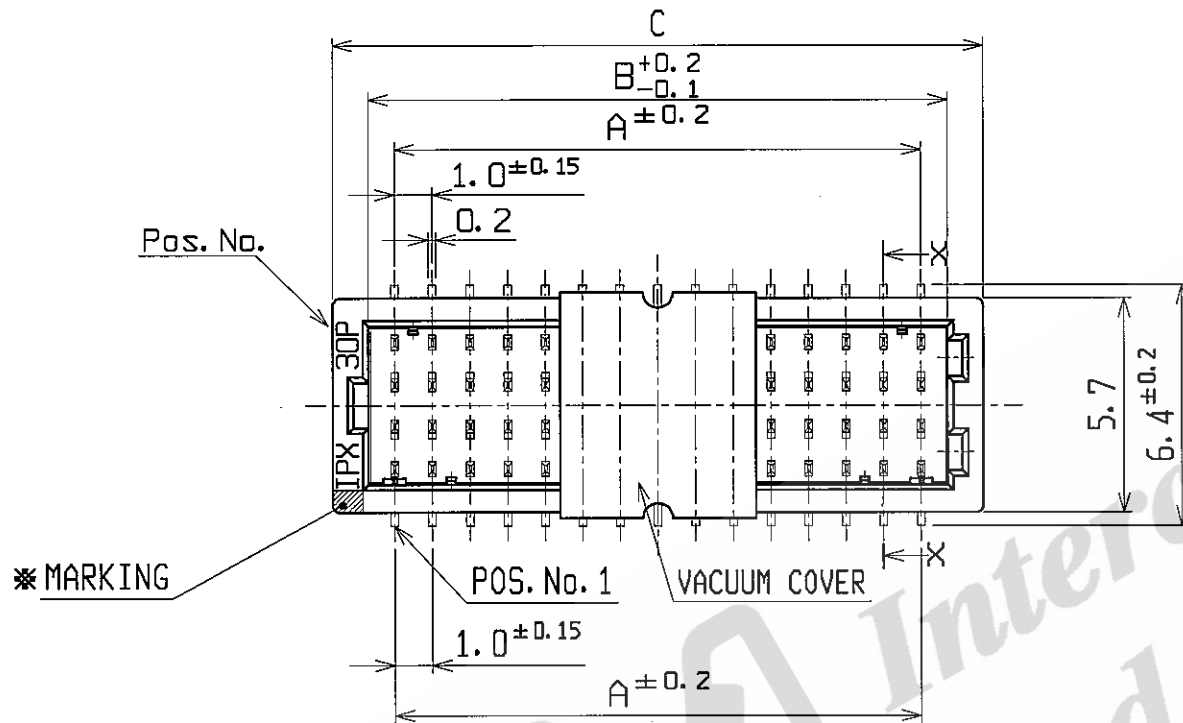


PART NO.	A	B	C	D	EXISTENCE OF GROUNDING SPRING	LEAD FREE	*MARKING
20265-030E-00F	14.0	15.4	17.3	12.0	WITH	YES	WITHOUT
20265-040E-00F	19.0	20.4	22.3	17.0	WITH		
20265-040E-01F	19.0	20.4	22.3	—	WITHOUT		
20265-030E-02F	14.0	15.4	17.3	12.0	WITH	YES	WITH

◆ : MARK MEANS UNDER DEVELOPING.



POS. No. 1
RECOMMENDED PATTERN LAYOUT



Sect X-X(S=10/1)

P/N 20265-040E-01F
WITHOUT GROUNDING SPRING

Notes.

- Material
Housing: PA46, Natural(94V-0)
Cover: PA46, Natural(94V-0)
Contact: Copper Alloy
Hold Down: Copper Alloy
- Finish:
Contact: Au Flash Over Ni
Hold Down: Sn Over Ni
- Coplanarity: 0.1Max.

GENERAL TOLERANCE	
6 MAX.	±0.2
6 OVER MAX. 30	±0.3
30 OVER MAX. 120	±0.5
ANGLE	±2'

DESIGN'D BY K. OHBAYASHI	DATE JUL/07/00	I-PEX Interconnect and Packaging Electronics TOKYO, JAPAN
CHK'D BY	DATE	
APP'D BY T. HARADA	DATE JUL/10/00	TITLE DUALCOAX HEADER CONN.
REV. RECORD	CUSTOMER COPY	PROJECTION
SERIES No.	SCALE 5/1	UNIT mm
	DWG. No. 20265	SHEET 1/1
		REV. 9