

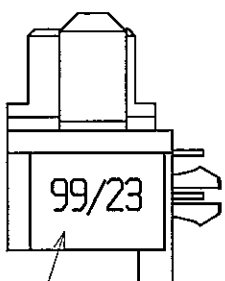
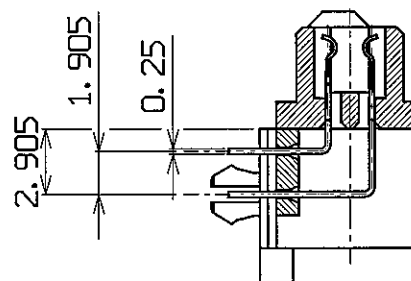
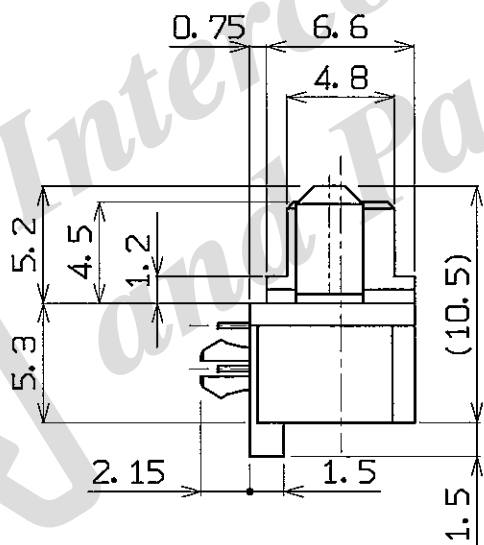
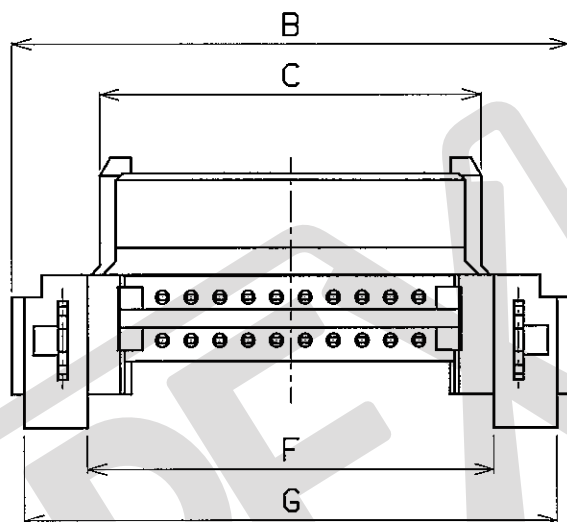
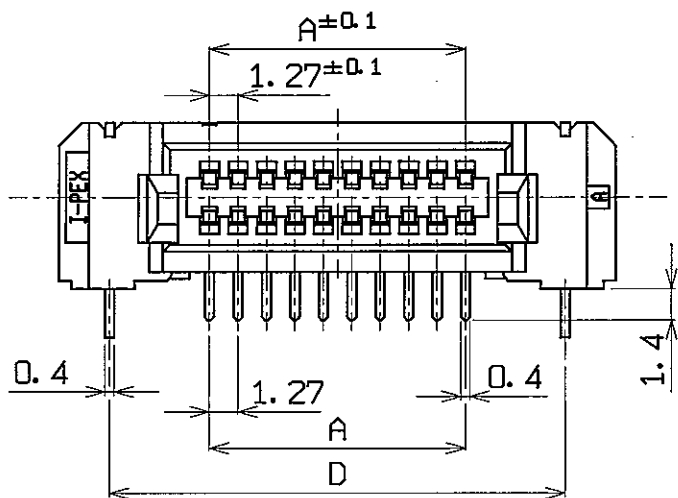
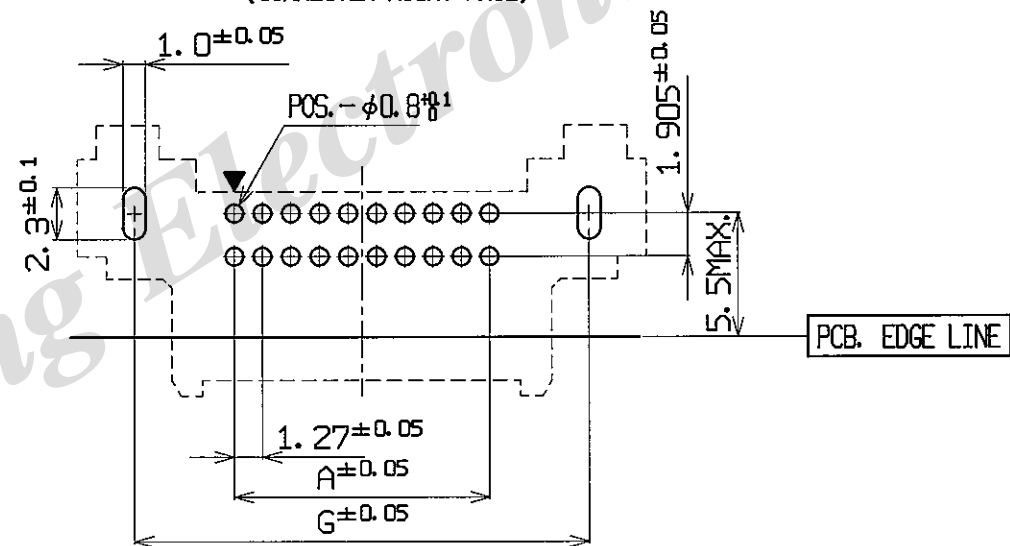
PART NO.	NO. OF POS	A	B	C	D	E	F	G
20245-060***-***	60P	36.83	50.20	42.40	45.72	39.65	43.52	49.12

P/N 20245-***-***

極数

- メッキ仕様(TAIL&HOLD DOWN)
NOTHING : TAIL Sn/Pb, HOLD DOWN Sn/Pb
F : TAIL Au, HOLD DOWN Sn
- メッキ仕様(Au THK.)
01:0.05μm MIN.
02:0.25μm MIN.
- NOTHING: TUBE PACKAGE WITHOUT DATECODE
A : TUBE PACKAGE WITH DATECODE

FOOT PRINT PATTERN
(CONNECTER MOUNT FACE)



DATECODE
(COLOR: WHITE)

- NOTES:
- MATERIALS:
HOUSING : PPS GF=40%
94V-0. COLOR: BLACK
LOCATER PLATE : 66Ny GF=15%
94V-0. COLOR: BLACK
CONTACTS & RETAINER : COPPER ALLOY
 - CONTACT FINISH
Au OVER Ni (1.27μm MIN.) ON CONTACT AREA
Sn/Pb (1μm MIN.) or Au FLASH (0.03μm MIN.)
OVER Ni (1.27μm MIN.) ON SOLDER TAIL

GENERAL TOLERANCE	
6 MAX.	±0.2
6 OVER MAX. 30	±0.3
30 OVER MAX. 120	±0.5
ANGLE	±2°

4	Z05303	Y.H	JUL/12/05	TKK	DESIGN'D BY	DATE
3	Z2184	T.M	AUG/08/02	K.K	T. MATSUMOTO	DEC/03/99
2	Z0049	T.M	APR/05/00	K.K	CHK'D BY	DATE
1	Z0020	T.M	FEB/10/00	K.K	T. HARADA	DEC/03/99
0	Z9250	T.M	DEC/03/99		APP'D BY	DATE
REV	ECN	BY	DATE	CHK	K. KATABUCHI	DEC/03/99
REV. RECORD					CUSTOMER COPY	PROJECTION
SERIES No.					3/1	UNIT

I-PEX Interconnect
and Packaging Electronics
TOKYO, JAPAN

TITLE		DIFFLINE PLUG R/A(2-ROW) STANDOFF=0.75	
DWG. No.	20245	SHEET	REV.
1/1	4		