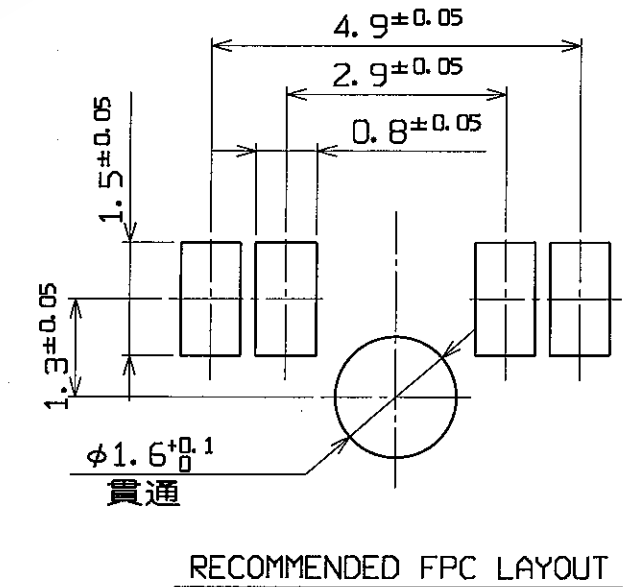
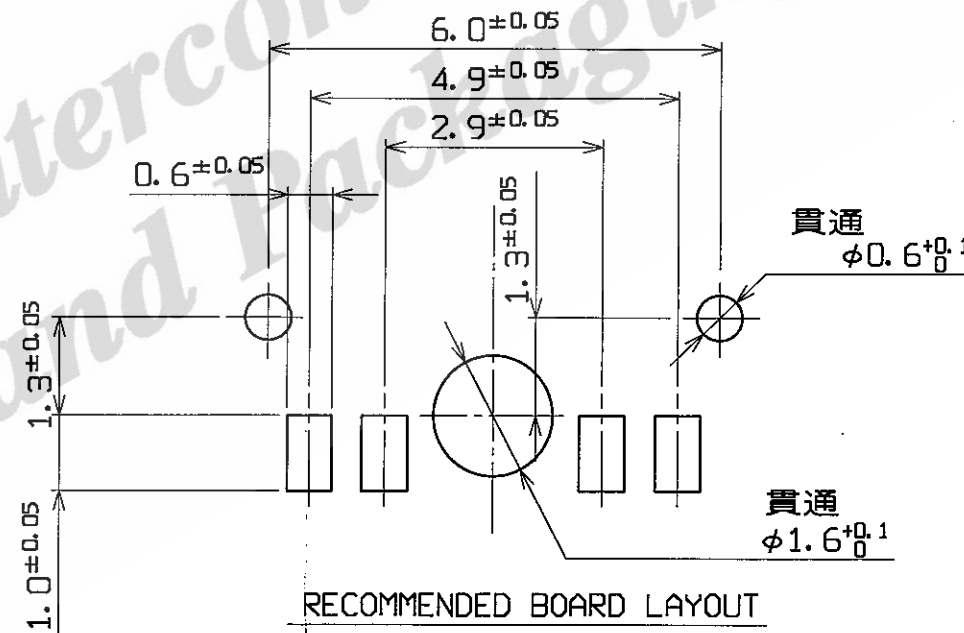
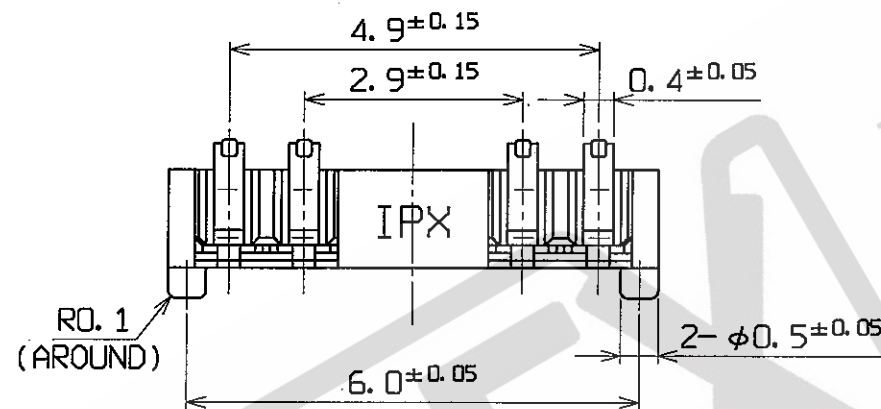
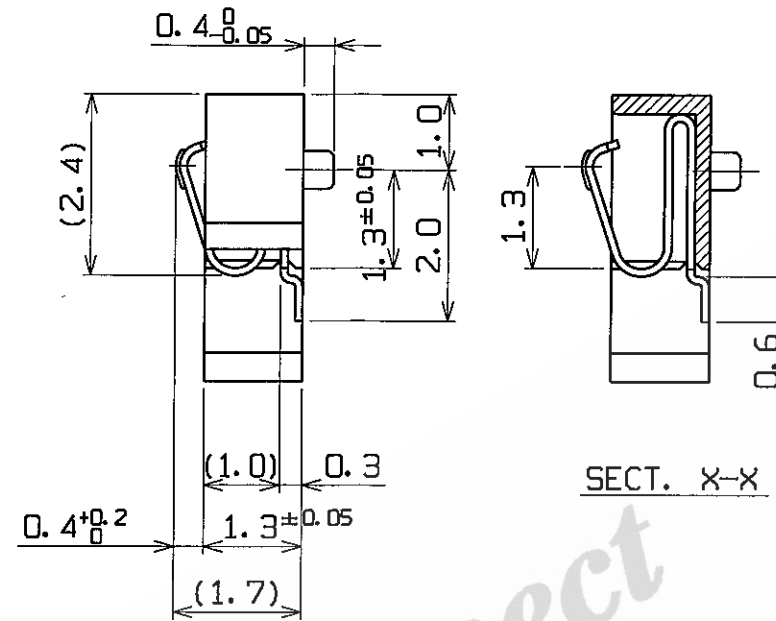
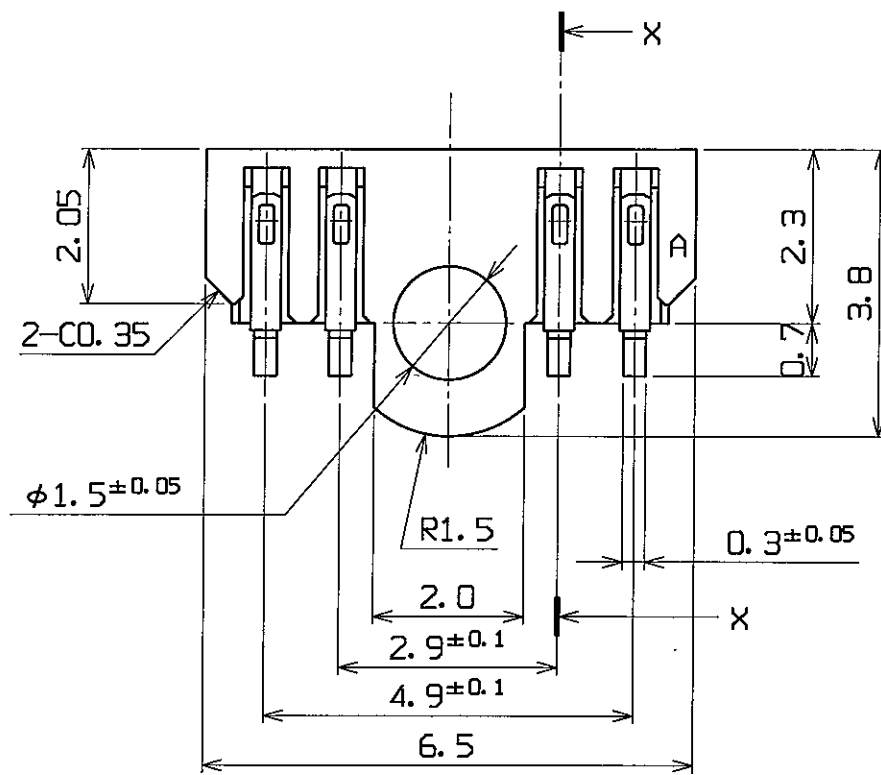


PART NO.  
20242-004E



NOTE.  
1. MATERIAL & FINISH  
HOUSING  
PPS  
GLASS REINFORCED (UL94V-0) BLACK  
CONTACT  
PHOSPHOR BRONZE  
Au OVER NI UNDER PLATING

GENERAL TOLERANCE	
6 MAX.	±0.2
6 OVER MAX. 30	±0.3
30 OVER MAX. 120	±0.5
ANGLE	±2°

DESIGN'D BY	DATE	<b>I-PEX</b> Interconnect and Packaging Electronics TOKYO, JAPAN	TITLE	SCALE	UNIT	DWG. No.	SHEET	REV.	
J. T	JUL/12/99								
CHK'D BY	DATE								
Y. H	JUL/12/99								
APP'D BY	DATE								
K. K	JUL/14/99								
REV. RECORD		CUSTOMER COPY		PROJECTION	SCALE	UNIT	DWG. No.	SHEET	REV.
SERIES No.	2090	CUSTOMER COPY		①	10/1	mm	20242	1/1	1