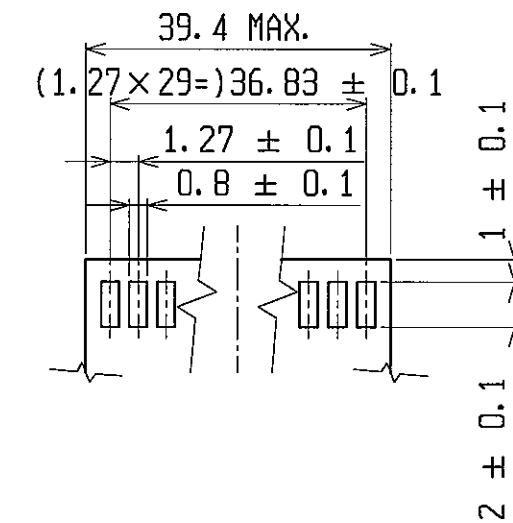
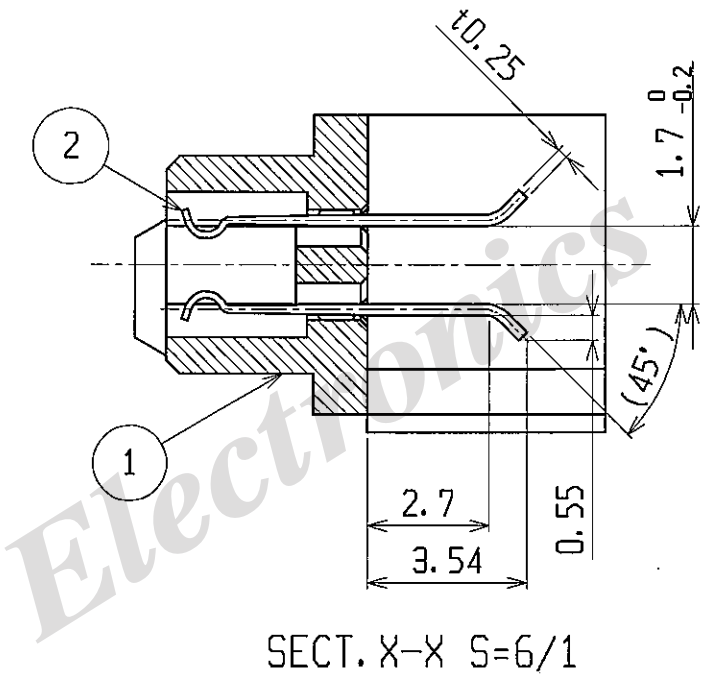
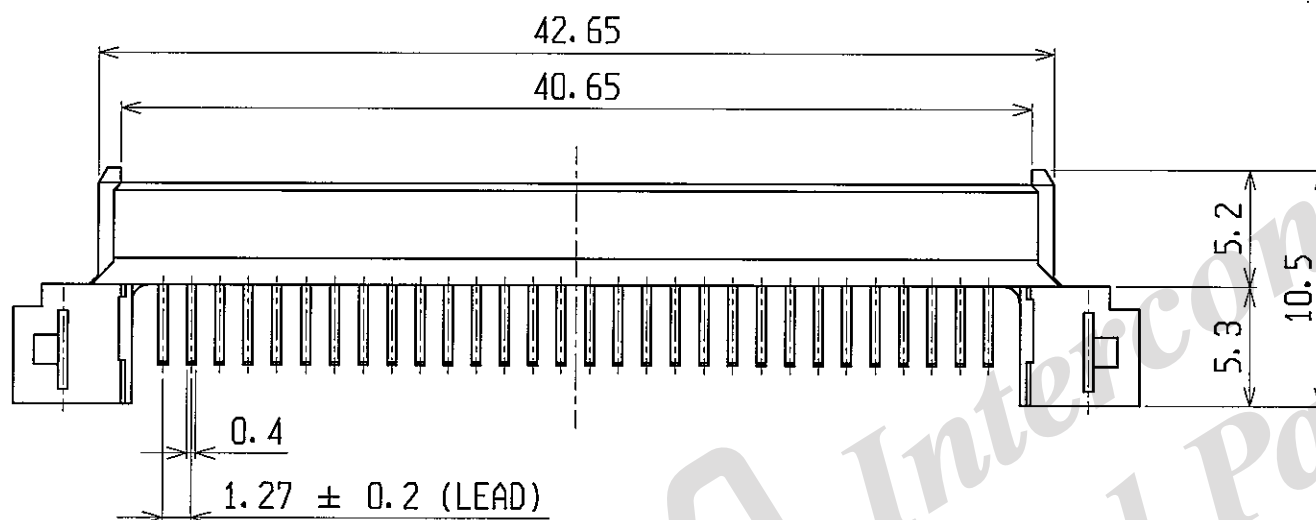
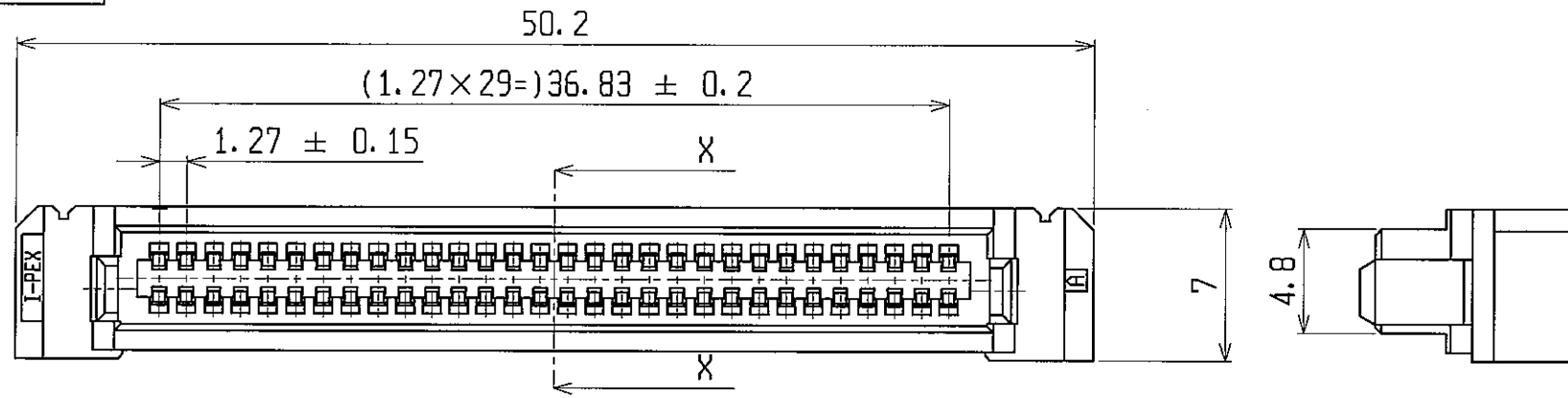


PART NO.
20217-060T-*



NOTES

1. COMPOSITION

- (1) HOUSING : PPS, UL94V-0, BLACK
- (2) CONTACT : COPPER ALLOY
- : MATING AREA GOLD FLASH PLATING
- : SOLDERING AREA TIN LEAD OR GOLD PLATING

2. APPLICABLE CONNECTOR

- P/N 20013-060-*, 20022-060-*, 20074-060-*, 20075-060-*, 20077-060-*
- P/N 20108-060-01*, 20108-060-02*, 20108-060-03*, 20108-060-04*
- P/N 20113-060-*, 20113-060-01*, 20114-060-*, 20122-060-01*
- P/N 20123-060-01*, 20123-060-02*, 20123-060-03*, 20123-060-04*
- P/N 20169-060-01*, 20169-060-02*, 20169-060-03*, 20169-060-04*
- P/N 20188-060-01*, 20188-060-02*

3. APPLICABLE PCB THICKNESS

1.6mm

4. PRODUCT SPECIFICATION

PRS-1009

GENERAL TOLERANCE	
6 MAX.	±0.2
6 OVER MAX. 30	±0.3
30 OVER MAX. 120	±0.5
ANGLE	±2°

P/N20217-060T-*

- PLATING (TAIL)
- NOTHING : TAIL Sn/Pb
- F : TAIL Au

DESIGN' D BY	DATE	I-PEX Interconnect and Packaging Electronics TOKYO, JAPAN
K. OHABAYASHI	FEB/23/99	
CHK' D BY	DATE	TITLE DIFFLINE PLUG STRADDLE
T. HARADA	FEB/23/99	
APP' D BY	DATE	SCALE UNIT DWG. No. SHEET REV. 3/1 mm 20217 1/1 2
K. KATABUCHI	FEB/23/99	
REV. RECORD	CUSTOMER COPY	
SERIES No. 2110	PROJECTION	