

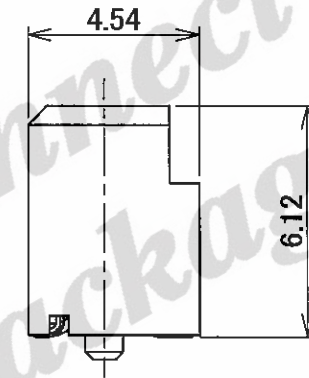
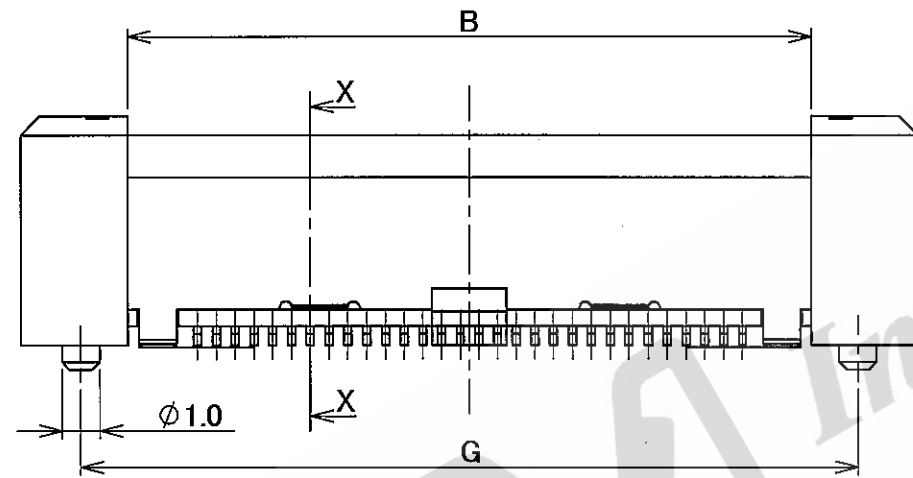
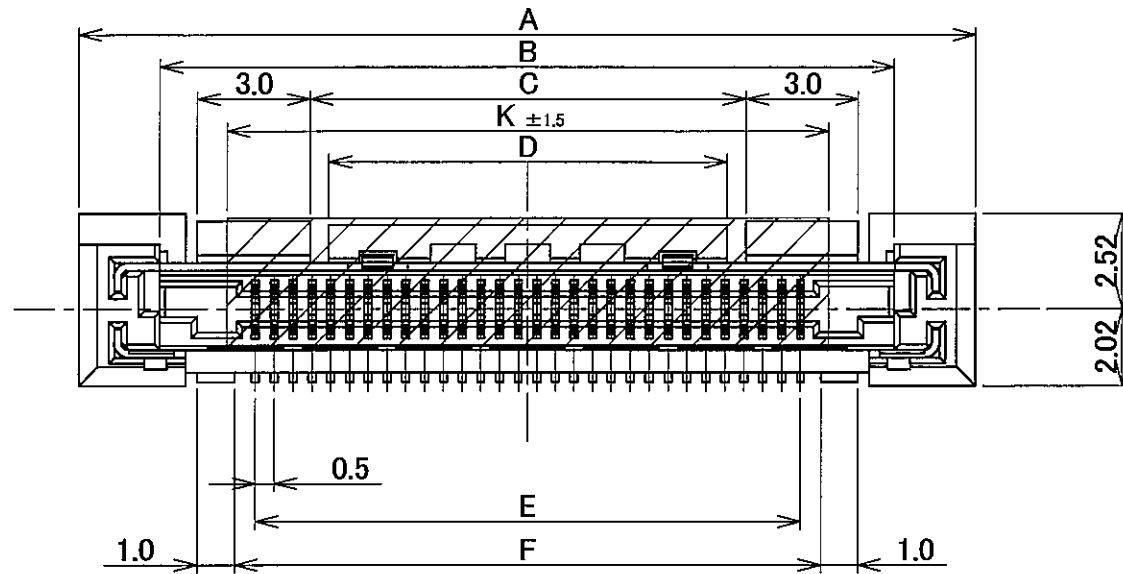
PART No.	A	B	C	D	E	F	G	H	J	K
20179-030E-**F	23.9	19.6	11.6	10.6	14.5	15.6	20.7	11.4	15.4	16.0

THE COMPOSITION OF PART No.

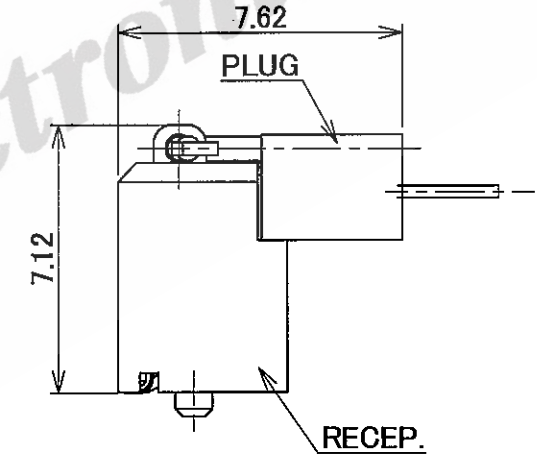
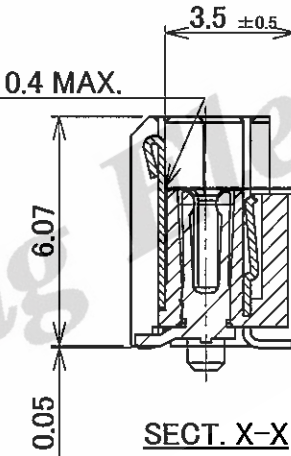
20179-030E-**F

POS.

**F	CONTACT PLATING	SHIELD COVER PLATING	BOSS
F	Au	Sn	WITH BOSS
01F	Au	Sn	WITHOUT BOSS



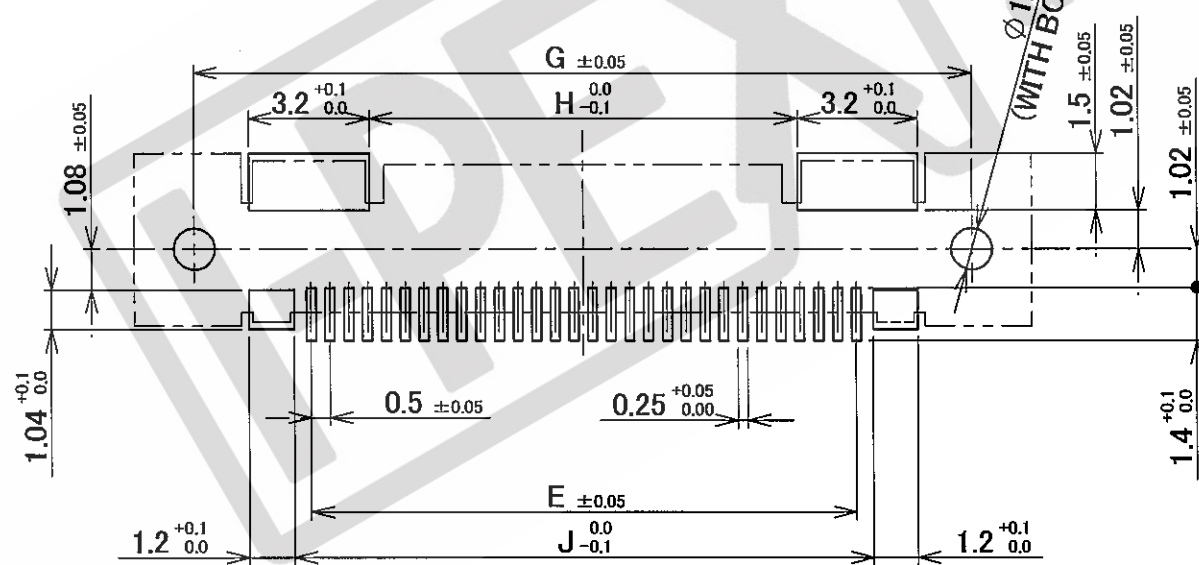
CREVICE 0.4 MAX.



MATED CONDITION

NOTES

1. 嵌合コネクタ : DWG.No 20177
CONNECTOR TO BE MATED :
2. 製品規格 : No. PRS-1102
PRODUCT SPECIFICATION :
3. 材質/MATERIAL
絶縁体/INSULATOR : LCP, NATURAL, UL94V-0
コンタクト/CONTACT : 銅合金/COPPER ALLOY
シールドカバー/SHIELD COVER : 銅合金/COPPER ALLOY
吸着テープ/ADHESION TAPE : PI
4. コンタクト表面処理/CONTACT FINISH
Au OVER Ni
5. コプラナリティは、0.1MAX.(固定金具含む)
ただし、端子側固定金具部は最低端子高さより0.03高いこと
COPLARITY IS 0.1mm MAX. (INCLUDING FIXING METAL)
BUT C/T SIDE FIXING METAL MUST BE HIGHER 0.03mm FROM THE LOWEST CONTACT.



FOOT PATTERN (MOUNT SIDE)

7	Z06409	Y.H	Sep/01/06	File	DESIGN'D BY	DATE	I-PEX Interconnect and Packaging Electronics TOKYO, JAPAN
6	Z06134	Y.H	MAR/24/06	E.K	E.KAWABE	JAN/26/98	
5	Z9071	E.K	APR/13/99	K.K	CHK'D BY	DATE	TITLE CABLIN II RECEP.VT3
4	Z9040	E.K	FEB/22/99	K.K	T.HARADA	FEB/02/98	
3	Z8124	E.K	JUL/22/98	K.K	APP'D BY	DATE	SCALE UNIT DWG. No. SHEET REV. 5:1 mm 20179 1/1 7
REV	ECN	BY	DATE	APP	K.KATABUCHI	FEB/03/98	
REV.RECORD					CUSTOMER COPY	PROJECTION	
SERIES No.							