

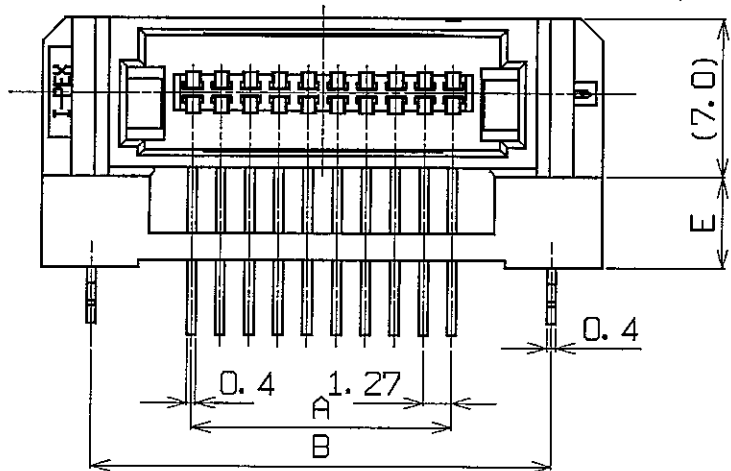
PART NO.	NO. OF POS	A	B	C	D
20123-020-***	20P	11.43	20.32	24.80	18.90
" -030- "	30P	17.78	26.67	31.15	25.25
" -040- "	40P	24.13	33.02	37.50	31.60
" -050- "	50P	30.48	39.37	43.85	37.95
" -060- "	60P	36.83	45.72	50.20	44.30
" -080- "	80P	49.53	58.42	62.90	57.00
" -100- "	100P	62.23	71.12	75.60	69.70

P/N20123-***-***

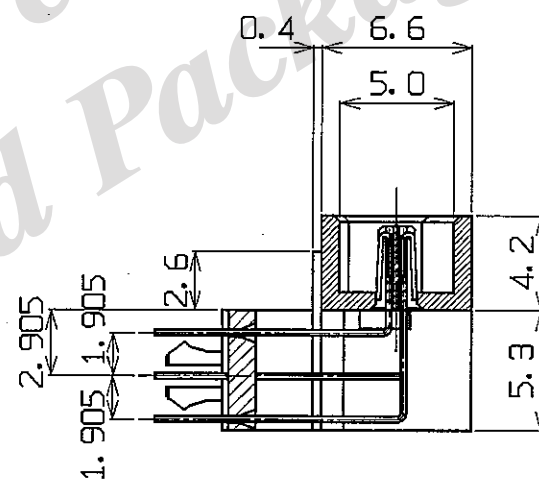
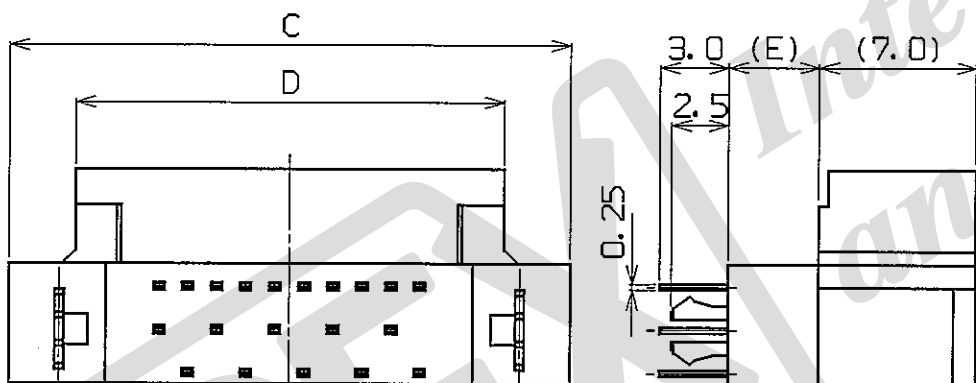
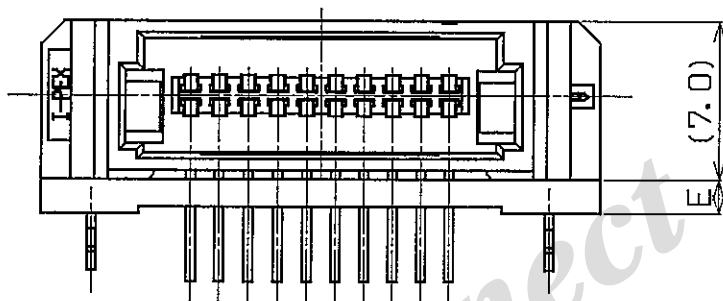
極数

01:E=1.5
02:E=2.0
03:E=2.5
04:E=4.0

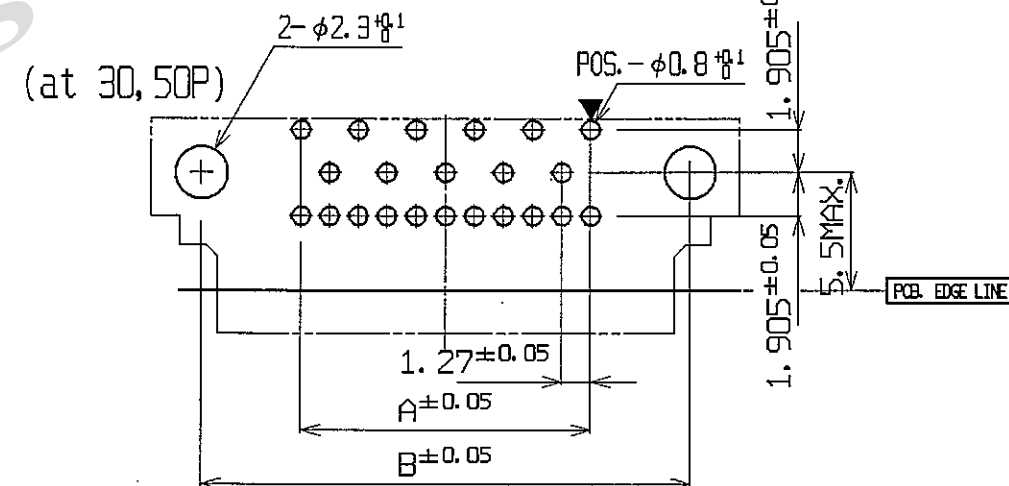
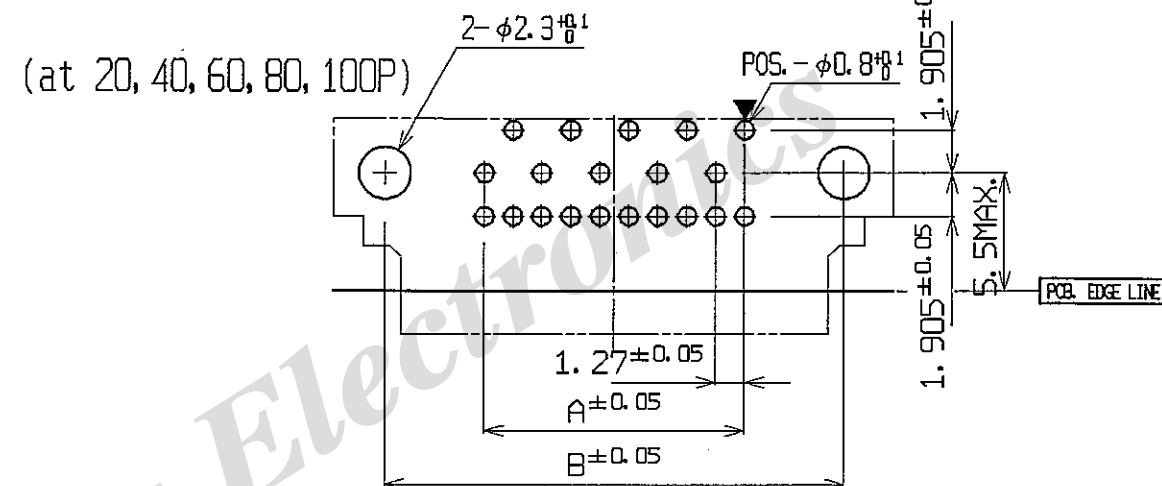
P/N 20123-***-02
20123-***-03
20123-***-04



P/N 20123-***-01 ONLY



FOOT PRINT PATTERN
(CONNECTER MOUNT FACE)



- NOTES: 1. MATERIALS:
HOUSING : PPS GF=40%
94V-0. COLOR: BLACK
LOCATER BASE : PPS GF=40%
94V-0. COLOR: BLACK
CONTACTS : COPPER ALLOY
2. CONTACT FINISH
Au FLASH(0.05 μm MIN.) OVER Ni(1.27 μm MIN.) ON CONTACT AREA
Sn/Pb(1 μm MIN.) OVER Ni(1.27 μm MIN.) ON SOLDER TAIL

REV	ECN	BY	DATE	CHK	DESIGN'D BY	DATE	I-PEX Interconnect and Packaging Electronics TOKYO, JAPAN	TOL. ±0.3 , ±2'	TITLE DIFFERENTIAL LINEZ CONN. RECEPT. R/A EXTRA HEIGHT(3-ROW)
1	7330	T. M	10/24/97	Y. F	T. MATSUMOTO	07/17/96			
0	6435	T. M	12/10/96	Y. F	T. HARADA	12/11/96			
					Y. FUKUDA	12/11/96			
REV. RECORD					CUSTOMER COPY	PROJECTION	SCALE	UNIT	DWG. No.
SERIES No. 2110						3/1	mm	20123	SHEET 1/1
									REV. 1