

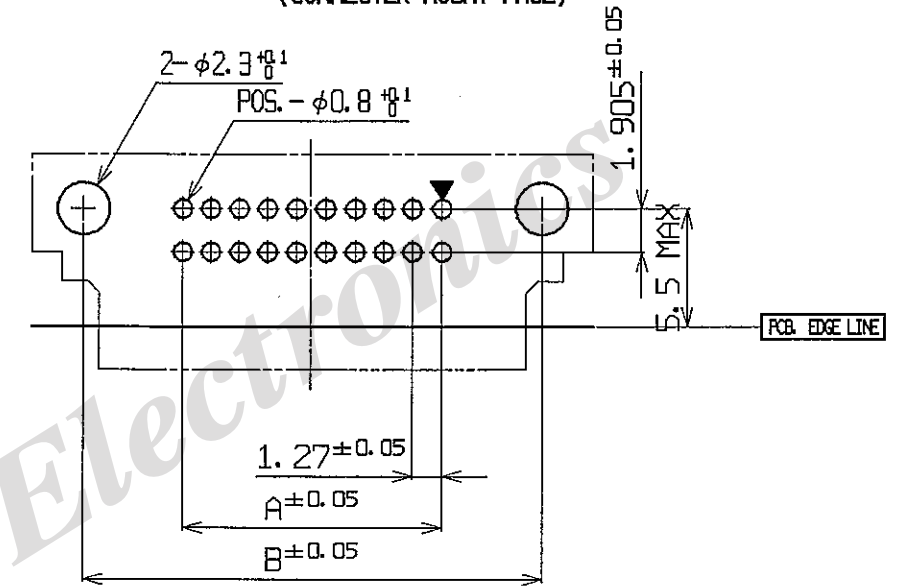
PART NO.	NO. OF POS	A	B	C	D
20108-020-***	20P	11.43	20.32	24.80	18.90
" -030- "	30P	17.78	26.67	31.15	25.25
" -040- "	40P	24.13	33.02	37.50	31.60
" -050- "	50P	30.48	39.37	43.85	37.95
" -060- "	60P	36.83	45.72	50.20	44.30
" -080- "	80P	49.53	58.42	62.90	57.00
" -100- "	100P	62.23	71.12	75.60	69.70

P/N20108-\*\*\*-\*\*\*

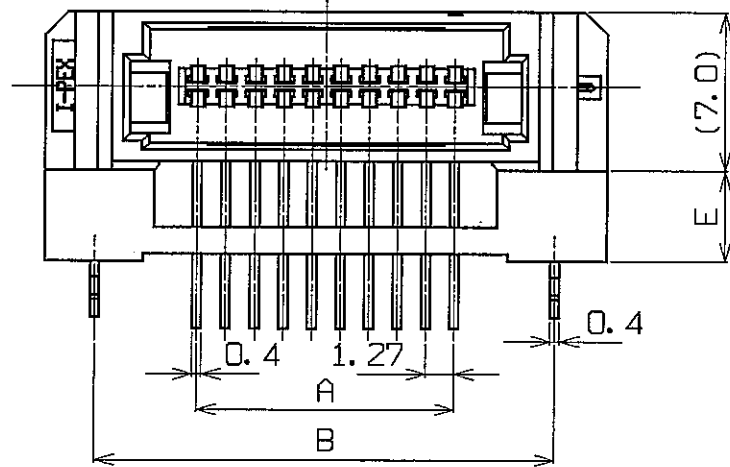
極数

01:E=1.5  
02:E=2.0  
03:E=2.5  
04:E=4.0

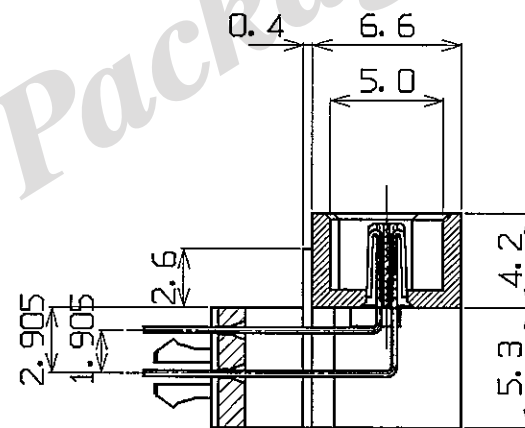
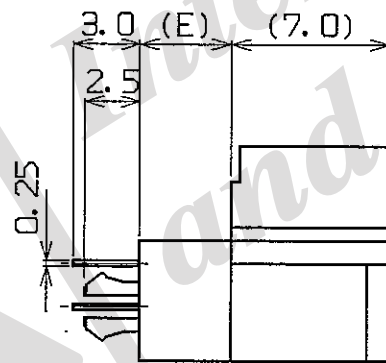
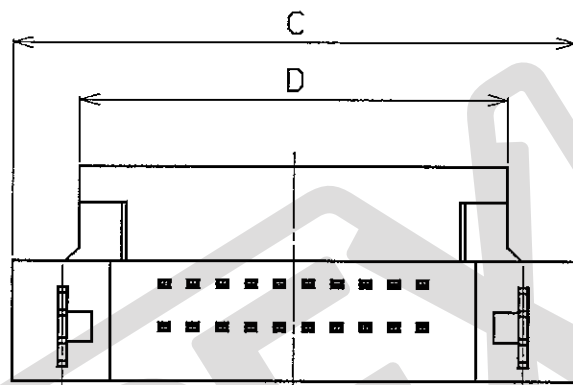
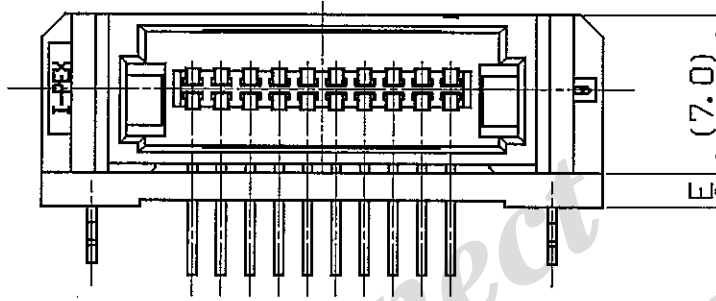
FOOT PRINT PATTERN  
(CONNECTER MOUNT FACE)



P/N20108-\*\*\*-02  
20108-\*\*\*-03  
20108-\*\*\*-04



P/N20108-\*\*\*-01 ONLY



- NOTES: 1. MATERIALS:  
HOUSING :PPS GF=40%  
94V-0. COLOR:BLACK  
LOCATER BASE :PPS GF=40%  
94V-0. COLOR:BLACK  
CONTACTS&RETAINER :COPPER ALLOY  
2. CONTACT FINISH  
Au FLASH(0.05μmMIN.) OVER Ni(1.27μmMIN.) ON CONTACT AREA  
Sn/Pb(1μmMIN.) OVER Ni(1.27μmMIN.) ON SOLDER TAIL

DESIGN'D BY T. MATSUMOTO	DATE 07/17/96	<b>I-PEX</b> Interconnect and Packaging Electronics TOKYO, JAPAN	TITLE DIFF-LINE <del>z</del> CONN: RECEPT. R/A EXTRA HEIGHT
CHK'D BY T. HARADA	DATE 12/11/96		
APP'D BY Y. FUKUDA	DATE 12/11/96	TOL. ±0.3 , ±2'	DWG. No. 20108
REV. RECORD	CUSTOMER COPY	PROJECTION	SCALE UNIT 3/1 mm
SERIES No.: 2110	AS T		SHEET REV. 1/1 1