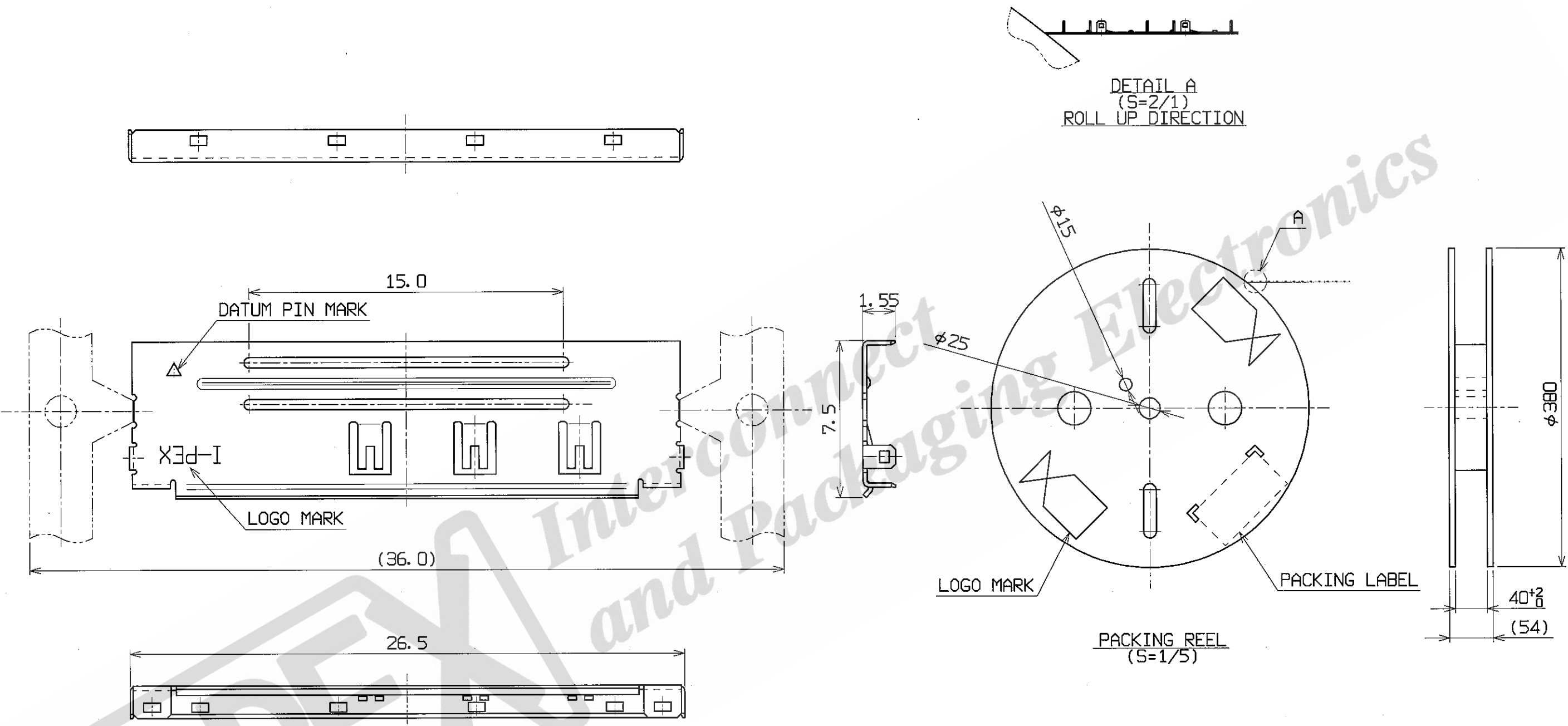



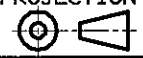
PART NO.	QTY./REEL	FINISH	REMARK
2004-044*F	3000	Sn	For Lead Free

*EXAMPLE
P/N 2004-0441F . . . WITH NOTCH
2004-0442F . . . WITHOUT NOTCH



NOTE
1. MATERIAL & FINISH
COPPER ALLOY: Sn OVER Ni

GENERAL TOLERANCE	
6 MAX.	±0.2
6 OVER MAX. 30	±0.3
30 OVER MAX. 120	±0.5
ANGLE	±2°

4	206396	K.T	Aug/18/06	Y.H	DESIGN'D BY	DATE	 Interconnect and Packaging Electronics TOKYO, JAPAN				
3	204133	H.T	Apr/20/04	K.K	H. TAKAHASHI	Jul/31/02					
2	204011	H.T	Jan/15/04	K.K	CHK'D BY	DATE					
1	DZ3014	H.T	Feb/12/03	K.K	Y.H	Jul/31/02					
0	DZ2070	H.T	Aug/19/02		APP'D BY	DATE					
REV	ECN	BY	DATE	APP	E. KAWABE	Aug/01/02	TITLE				
REV. RECORD					CUSTOMER COPY	PROJECTION	SCALE	UNIT	DWG. No.	SHEET	REV.
SERIES No.							5/1	mm	2004	1/1	4