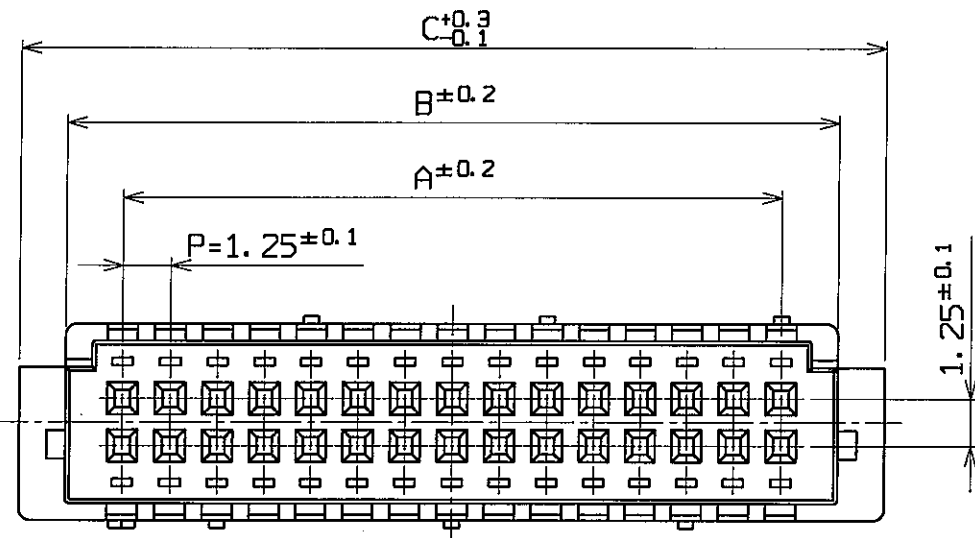


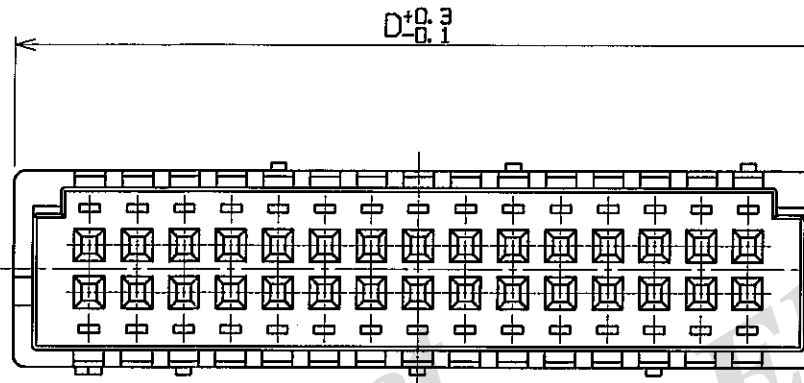
PART NO.  
20033-...B-#

PART NO. : 20033-...B-#1



PART NO. : 20033-...B-#2

UNLESS OTHERWISE SPECIFIED,  
USE SAME DIM. OF NO.-01 TYPE.



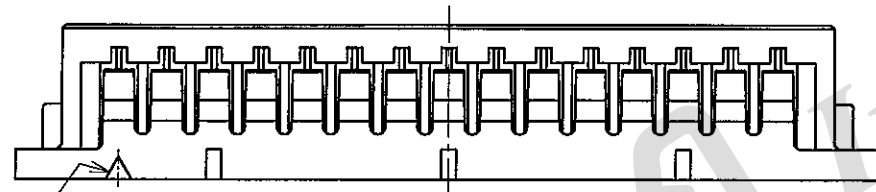
PART No.	A	B	C	D
20033-010B-#1	5.0	8.0	10.45	-
20033-012B-#1	6.25	9.25	11.7	-
20033-020B-#1	11.25	14.25	16.7	-
20033-022B-#1	12.5	15.5	17.95	-
20033-030B-#1	17.5	20.5	22.95	-
◆20033-032B-#1	18.75	21.75	24.2	-
20033-040B-#1	23.75	26.75	29.2	-
20033-042B-#1	25.0	28.0	30.45	-
◆20033-050B-#1	30.0	33.0	35.45	-
20033-010B-#2	5.0	8.0	-	9.0
20033-012B-#2	6.25	9.25	-	10.25
20033-020B-#2	11.25	14.25	-	15.25
20033-022B-#2	12.5	15.5	-	16.5
20033-030B-#2	17.5	20.5	-	21.5
◆20033-032B-#2	18.75	21.75	-	22.75
20033-040B-#2	23.75	26.75	-	27.75
20033-042B-#2	25.0	28.0	-	29.0
◆20033-050B-#2	30.0	33.0	-	34.0

◆ MARK MEANS UNDER DEVELOPING.

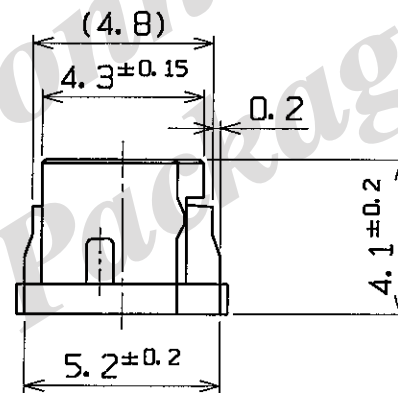
☆EXAMPLE 20033-...B-#

B : BAG PACKAGE

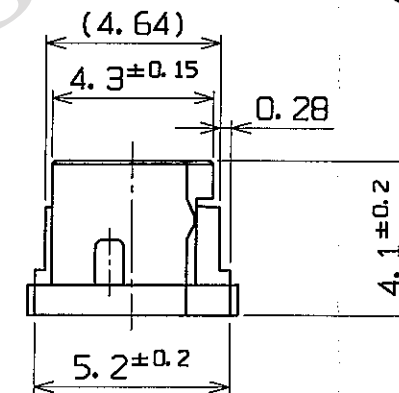
# MARK MEANS  
O : STANDARD TYPE  
L : LOW INSERTION FORCE TYPE



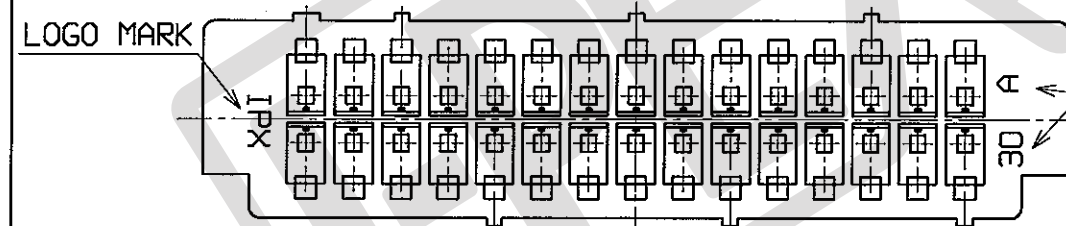
DATUM POS. MARK



STANDARD TYPE  
PART NO. : 20033-0...B-0.



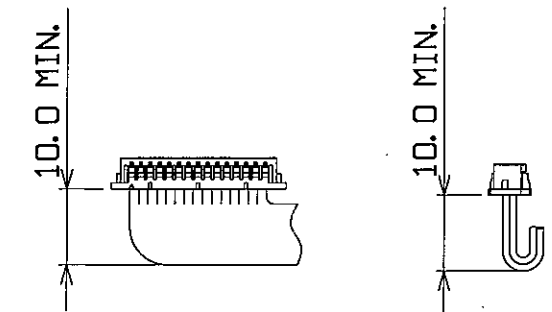
LOW INSERTION FORCE TYPE  
IN TERMINAL  
PART NO. : 20033-0...B-L.



POS. No.  
CAV. No.

NOTES

- MATERIAL  
INSULATOR : PA66 (UL94V-0)
- HSG. TO BE MATED  
P/N 20031-...E-... (ST-SMT DUAL)  
P/N 20032-...U-... (ST-TMT DUAL)  
P/N 20098-...E-... (R/A-SMT DUAL)
- P/N 20033-...B-# : SEE 300-041 OF THE PACKING STANDARD.
- CABLEヲ曲ゲテ使用ル場合ニハ、右記寸法ヲ推奨ス。但シ、曲ゲル等ハCABLEメーカーノ推奨条件ノ確認ヲ取ル事。



BENDING CABLE

DESIGN'D BY M. TSURUSAKI	DATE 01/12/96	<b>I-PEX</b> Interconnect and Packaging Electronics TOKYO, JAPAN	TOL. ±0.3 , ±2'	TITLE DUALOK DUAL TYPE HOUSING (10P~50P)
CHK'D BY Y. H	DATE 02/06/96		DWG. No. 20033	SHEET 1/1
REV. ECN 10 D2908B	BY Y.A	DATE DEC/17/99	CHK Y. FUKUDA	DATE 02/16/96
REV. RECORD SERIES No. 2210		CUSTOMER COPY	PROJECTION	SCALE UNIT 5/1 mm