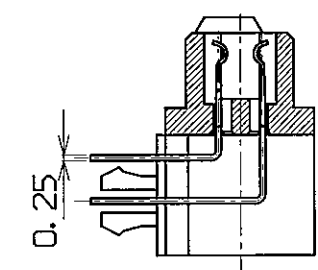
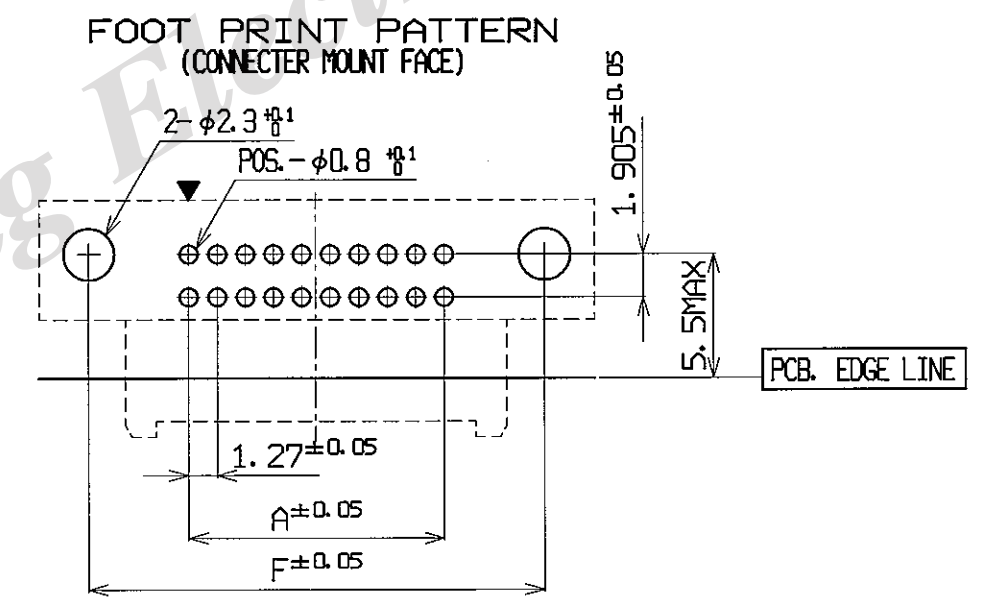
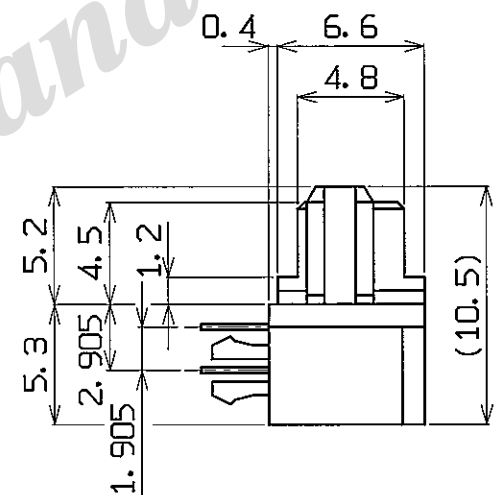
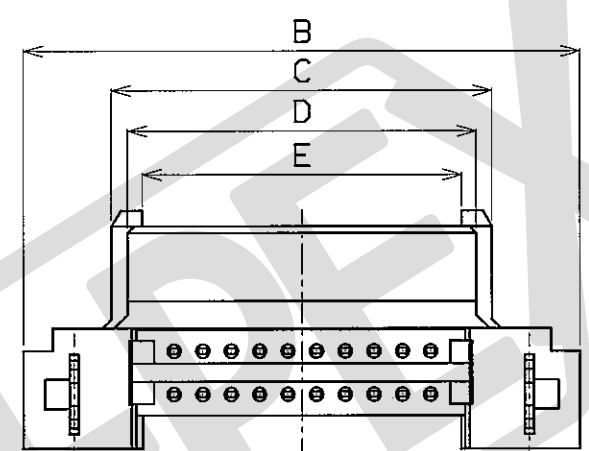
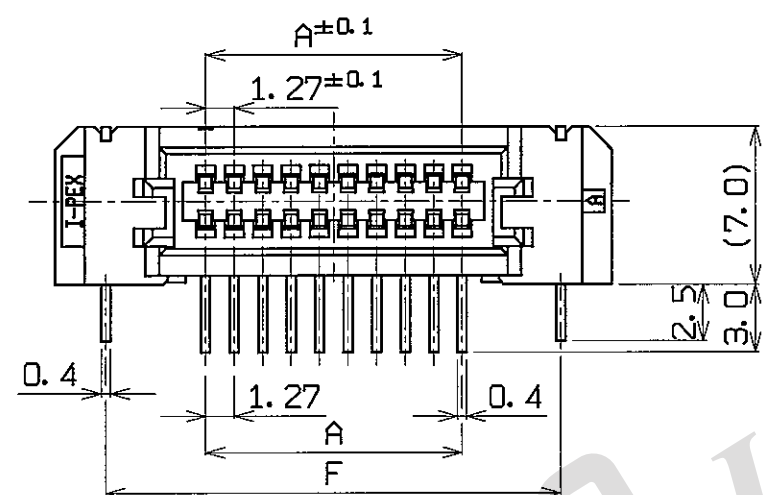
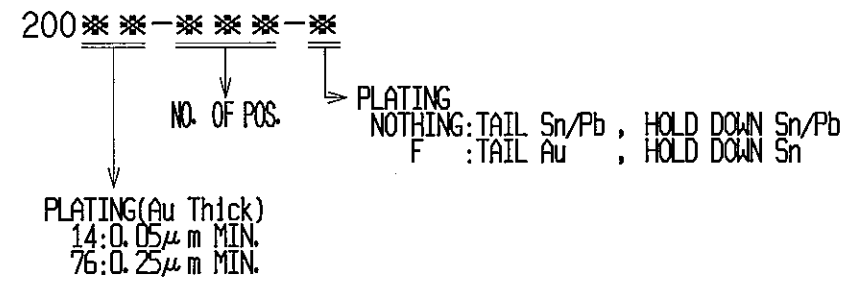


PART NO.	NO. OF POS.	A	B	C	D	E	F	Au THK.
20014-020-*	20P	11.43	24.80	17.00	15.58	14.25	20.32	0.05 μ m MIN.
" -030-*	30P	17.78	31.15	23.35	21.93	20.60	26.67	
" -040-*	40P	24.13	37.50	29.70	28.28	26.95	33.02	
" -050-*	50P	30.48	43.85	36.05	34.63	33.30	39.37	
" -060-*	60P	36.83	50.20	42.40	40.98	39.65	45.72	
" -080-*	80P	49.53	62.90	55.10	53.68	52.35	58.42	
" -100-*	100P	62.23	75.60	67.80	66.38	65.05	71.12	0.25 μ m MIN.
20076-020-*	20P	11.43	24.80	17.00	15.58	14.25	20.32	
" -030-*	30P	17.78	31.15	23.35	21.93	20.60	26.67	
" -040-*	40P	24.13	37.50	29.70	28.28	26.95	33.02	
" -050-*	50P	30.48	43.85	36.05	34.63	33.30	39.37	
" -060-*	60P	36.83	50.20	42.40	40.98	39.65	45.72	
" -080-*	80P	49.53	62.90	55.10	53.68	52.35	58.42	
" -100-*	100P	62.23	75.60	67.80	66.38	65.05	71.12	



NOTE 1. PRODUCT SPECIFICATION: PRS-1009
 2. MATERIALS:
 HOUSING : PPS GF=40%
 94V-0. COLOR: BLACK
 LOCATER PLATE : 66Ny GF=15%
 94V-0. COLOR: BLACK
 CONTACTS : COPPER ALLOY
 3. CONTACT FINISH
 Au OVER Ni(1.27 μ m MIN.) ON CONTACT AREA
 Sn/Pb(1 μ m MIN.) or Au FLASH(0.03 μ m MIN.)
 OVER Ni(1.27 μ m MIN.) ON SOLDER TAIL

5	7332	T.M	10/24/97	Y.F	DESIGN'D BY	DATE	 Interconnect and Packaging Electronics TOKYO, JAPAN	TOL. ±0.3 , ±2'	TITLE DIFFLINE PLUG R/A							
4	5378	T.M	12/09/95	Y.F	T. MATSUMOTO	10/06/94										
3	5233	T.M	08/24/95	Y.F	CHK'D BY	DATE										
2	5013	T.M	01/18/95	Y.F												
6	Z05303	Y.H	JUL/12/05	Y.K	1	4158	T.M	12/06/94	Y.F	APP'D BY	DATE					
		REV	ECN	BY	DATE	CHK				Y. FUKUDA	10/06/94					
REV. RECORD					REV. RECORD					CUSTOMER COPY	PROJECTION	SCALE	UNIT	DWG. No.	SHEET	REV.
SERIES No.:					SERIES No.:					5/1	mm	20014	1/1	6		