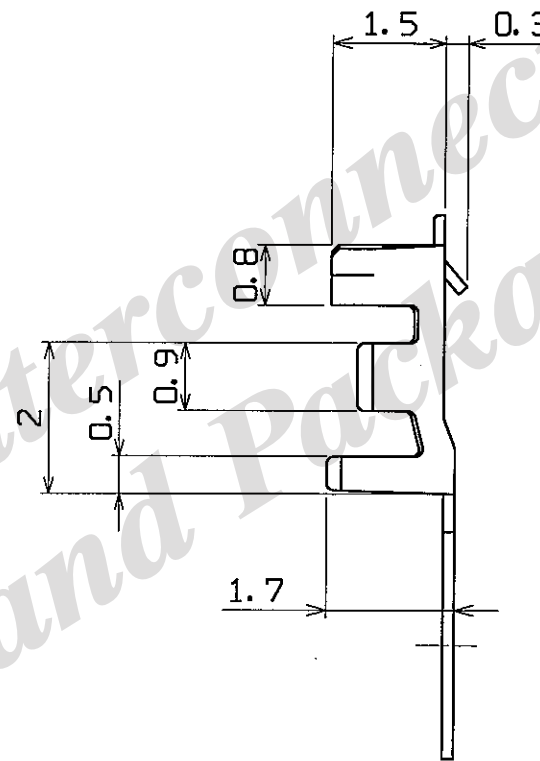
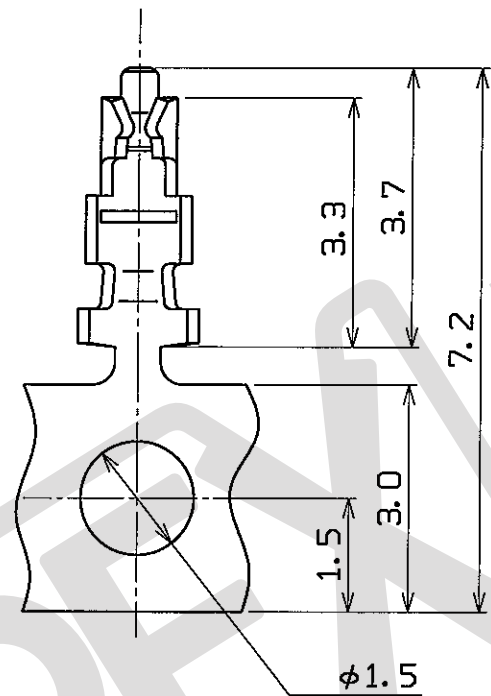
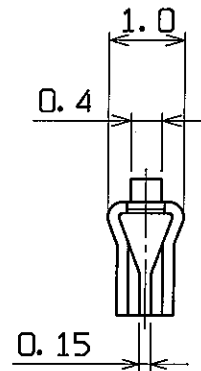




PART NO.	FINISH
20007-001	Sn
20007-002	Au OVER NI
20007-001-HO	Sn
20007-002-HO	Au OVER NI



NOTES.

- MATERIAL  
PHOSPHOR BRONZE  
FINISH  
P/N 20007-001:Sn  
P/N 20007-002:Au OVER NI (CONTACT AREA)
- APPLICABLE WIRE  
SIZE-AWG#26, 28, 30  
INS. -  $\phi 0.65 \sim \phi 1.0$ mm  
RECOMMENDED WIRE-UL1571
- STRIP LENGTH-1.2~1.9mm
- 20007-....: SEE No. 300-008 OF THE PACKING STANDARD.  
20007-....-HO: SEE No. 300-056 OF THE PACKING STANDARD.

					DESIGN'D BY	DATE	 <b>I-PEX</b> Interconnect and Packaging Electronics TOKYO, JAPAN						
					T. H	MAY/25/'94							
					CHK'D BY	DATE	TOL. ±0.3 , ±2'						
					Y. H	MAY/26/'94							
					APP'D BY	DATE	TITLE DUALOK TERMINAL						
					Y. F	MAY/27/'94							
REV	ECN	BY	DATE	CHK	REV. RECORD		<b>CUSTOMER COPY</b>	PROJECTION 	SCALE 10/1	UNIT mm	DWG. No. 20007	SHEET 1/1	REV. 6
SERIES No. 2210													