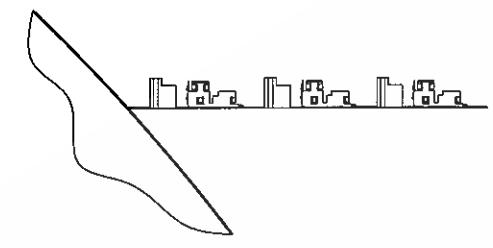
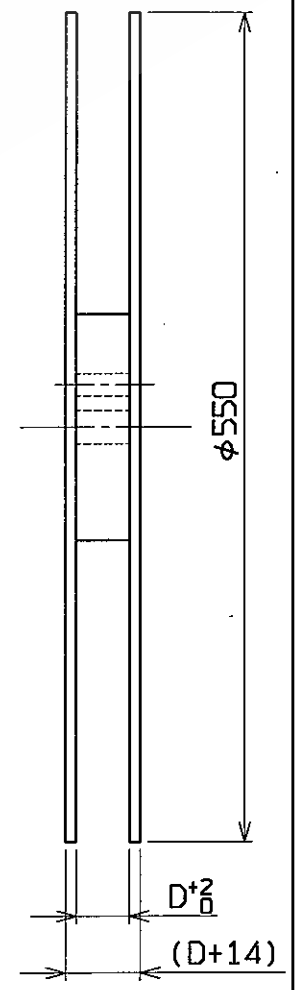
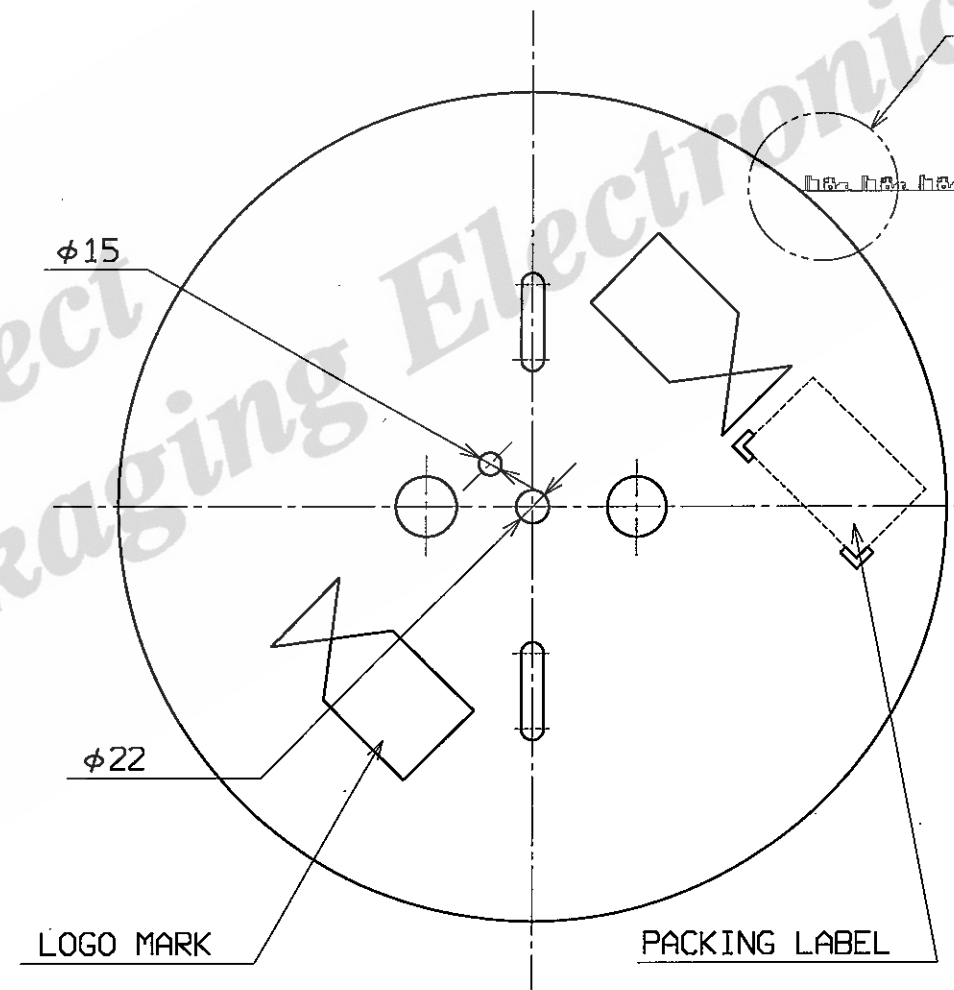
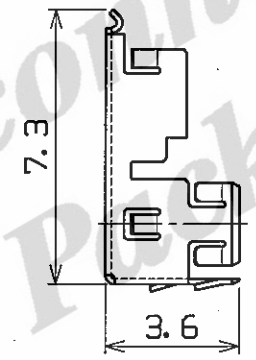
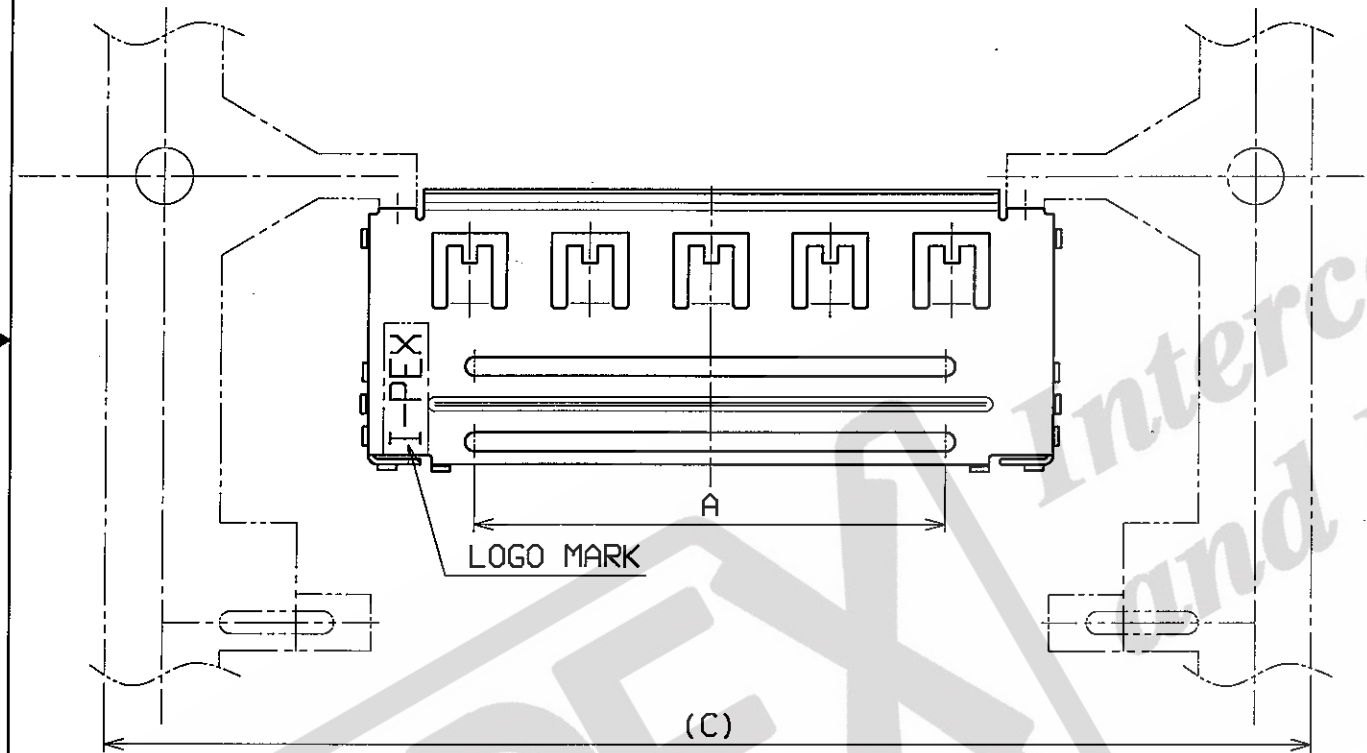
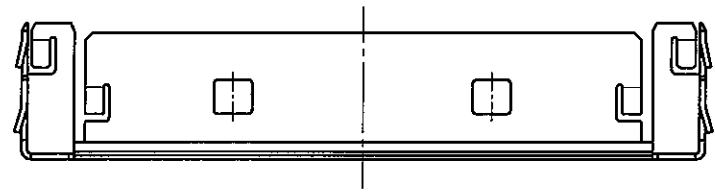


PART NO.	A	B	C	D	QTY./REEL
1968-030*	12.5	18.2	32.0	35.0	3000
1968-040*	12.5	23.2	42.0	45.0	3000
1968-050*	19.5	28.2	42.0	45.0	3000

*EXAMPLE
P/N 1968-0..1...Sn-Pb OVER Cu(FINISH)
1968-0..2...Sn-Cu OVER NI(FINISH)



DETAIL E
(S=1/1)
ROLL UP DIRECTION



PACKING REEL
(S=1/5)

NOTE.
1. MATERIAL
COPPER ALLOY (FINISH: Sn-Pb OVER Cu
or Sn-Cu OVER NI)

GENERAL TOLERANCE	
6 MAX.	±0.2
6 OVER MAX. 30	±0.3
30 OVER MAX. 120	±0.5
ANGLE	±2°

DESIGN'D BY Y. Shimada	DATE AUG/07/02	I-PEX Interconnect and Packaging Electronics TOKYO, JAPAN
CHK'D BY Y. H.	DATE AUG/09/02	
APP'D BY <i>[Signature]</i>	DATE AUG/12/02	TITLE FPL CONN. PLUG SHELL
REV. RECORD	PROJECTION	SCALE UNIT 5/1 mm
SERIES No.	CUSTOMER COPY	DWG. No. 1968
		SHEET REV. 1/1 0