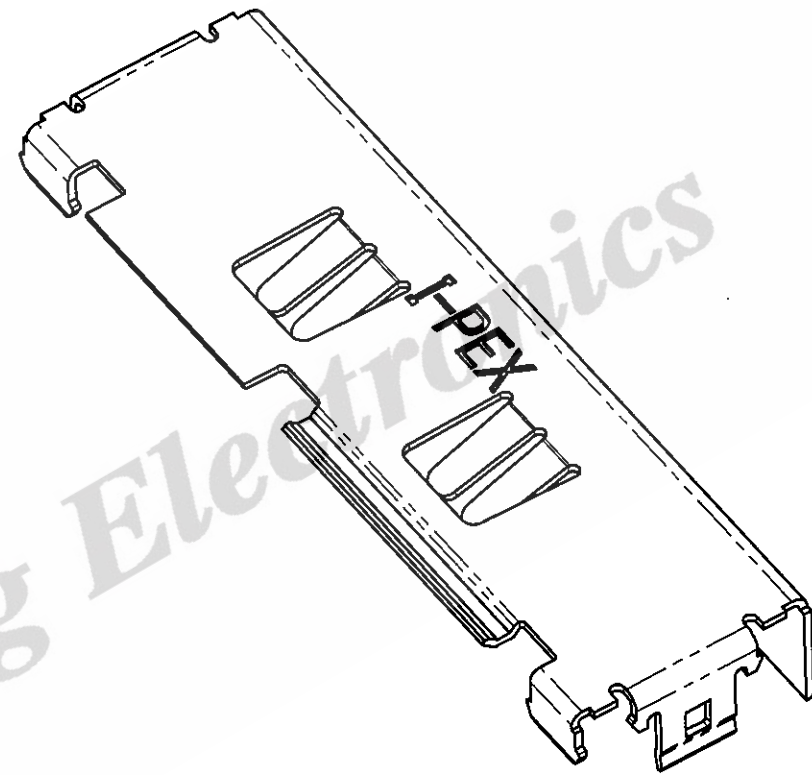
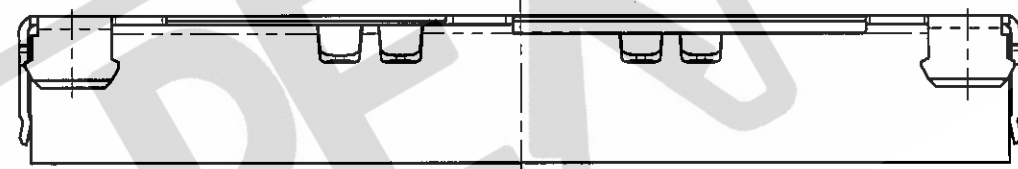
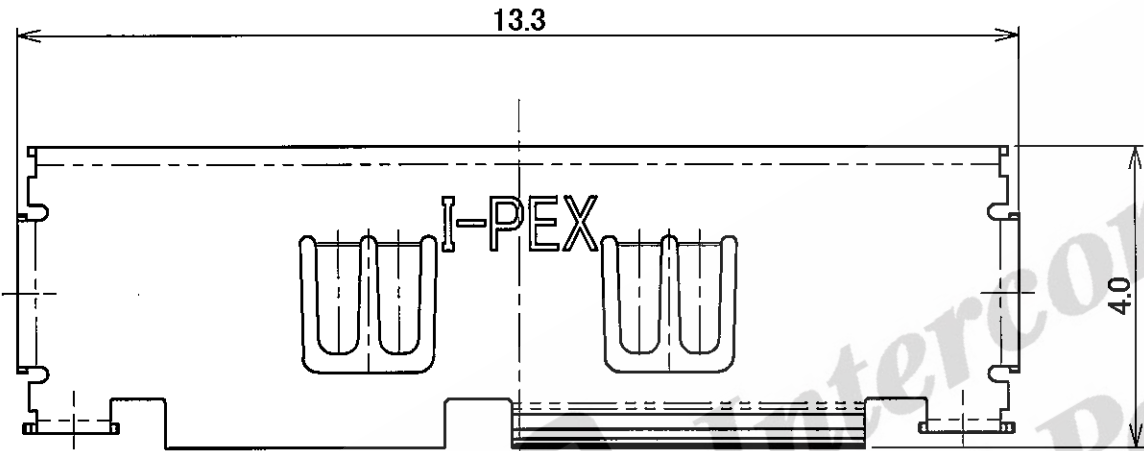
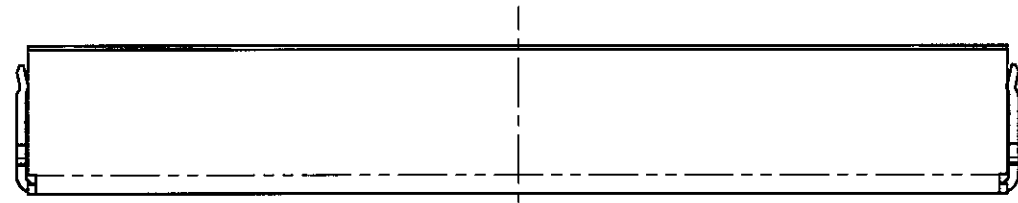


PART NO.	CABLE ASS'Y P/N
1866-410T	20246-410T-***



NOTES
1. MATERIAL & FINISH
COPPER ALLOY, Sn REFLOW

GENERAL TOLERANCE	
6 MAX.	±0.2
6 OVER MAX. 30	±0.3
30 OVER MAX. 120	±0.5
ANGLE	±2°

DESIGN'D BY	T.Hirakawa	DATE	Dec/12/'05	
CHK'D BY		DATE		
APP'D BY	T.Harada	DATE	Dec/12/'05	
REV	ECN	BY	DATE	APP
2	Z06136	TAK	Jun/28/06	J.A
1	Z05634	TAK	Dec/26/'05	T.H
0	Z05607	TAK	Dec/12/'05	
REV.RECORD				
SERIES No.				

I-PEX		Interconnect and Packaging Electronics		TOKYO, JAPAN
TITLE				
CABLINER III PLUG 14P METAL COVER				
SCALE	UNIT	DWG. No.	SHEET	REV.
10:1	mm	1866	1/1	2