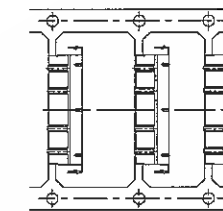


PART NO.	A	B	C	D	E	F	G	H	QTY./REEL
◆1792-020•F	9.5	9.6	11.6	10.0		21.5	26.0	—	3000
1792-030•F	14.5	14.6	16.6	15.0	3.0	26.5	32.0	450	3000
1792-040•F	19.5	19.6	21.6	20.0	4.0	31.5	38.0	450	3000
◆1792-050•F	24.5	24.6	26.6	25.0	7.0	36.5	45.0	—	3000

◆ MARK MEANS UNDER DEVELOPING.

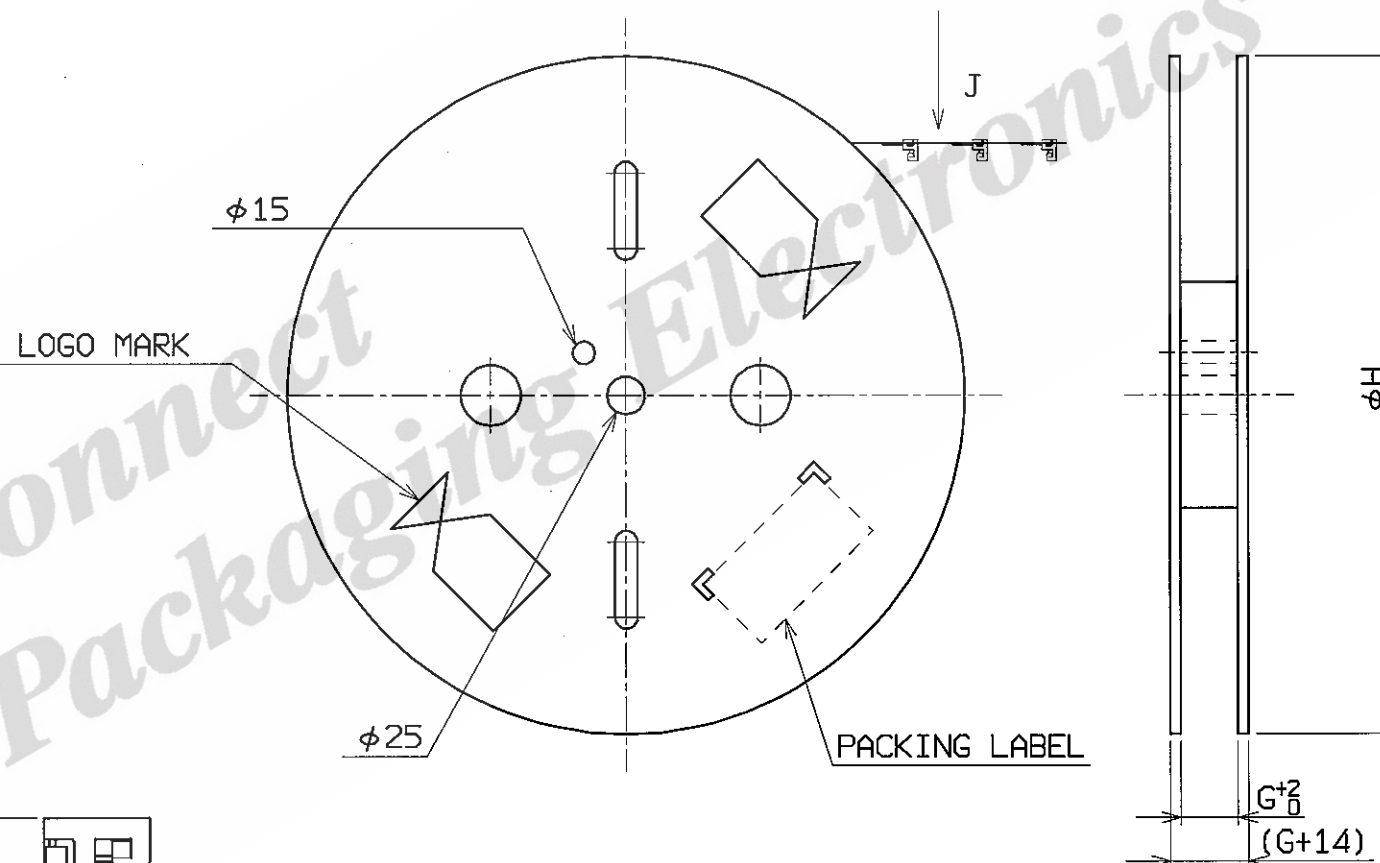
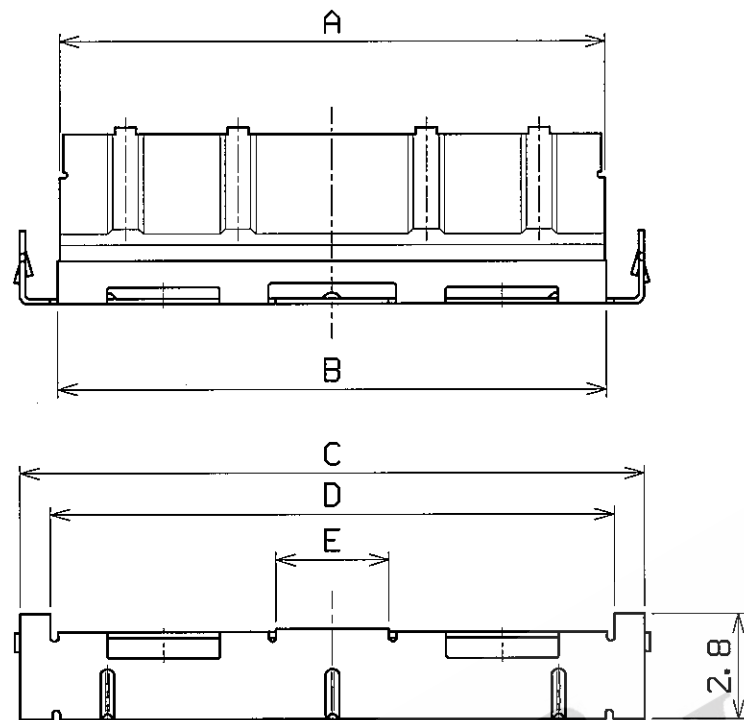
*EXAMPLE
P/N:1792-0...F

F: LEAD FREE (Sn PLATING)
1: WITH NOTCH
2: WITHOUT NOTCH



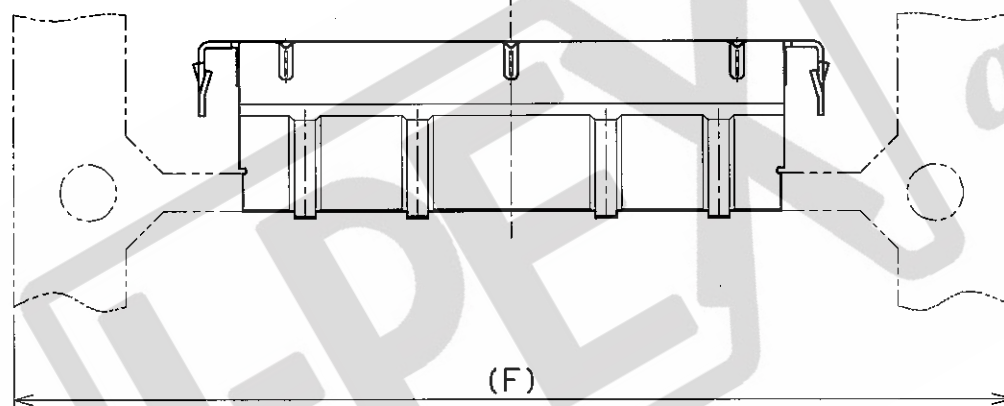
VIEW J

ROLL UP DIRECTION



PACKING REEL
(S=1/5)

NOTE
1. MATERIAL
COPPER ALLOY
2. FINISH
Sn PLATING



GENERAL TOLERANCE	
6 MAX.	±0.2
6 OVER MAX. 30	±0.3
30 OVER MAX. 120	±0.5
ANGLE	±2°

DESIGN' D BY	T. T	DATE	APR/01/02	
CHK' D BY	Y. H	DATE	APR/01/02	
APP' D BY	K. KATABUCHI	DATE	APR/02/02	
REV	ECN	BY	DATE	APP
2	Z06403	K. T	AUG./18/06	J. H
1	Z04408	T. K	NOV/19/04	T. H
0	DZ2034	T. T	APR/01/02	
REV. RECORD		CUSTOMER COPY		PROJECTION
SERIES No.		2812		SCALE
				UNIT
				MM

I-PEX Interconnect
and Packaging Electronics
TOKYO, JAPAN

TITLE		DUALCOAX ST-TYPE SHELL B	
DWG. No.	1792	SHEET	1/1
REV.	2	REV.	2