

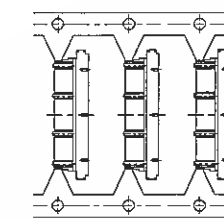
PART NO.	A	B	C	D	E	F	G	H	QTY./REEL
◆1791-020•F	9.9	9.5	2.5	11.1	12.1	22.0	30.0	—	3000
1791-030•F	14.9	14.5	7.0	16.1	17.1	29.0	32.0	450	3000
1791-040•F	19.9	19.5	10.0	21.1	22.1	34.0	38.0	450	3000
◆1791-050•F	24.9	24.5	13.0	26.1	27.1	39.0	45.0	380	3000

◆ MARK MEANS UNDER DEVELOPING.

*EXAMPLE
P/N:1791-0...•F

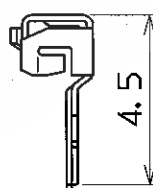
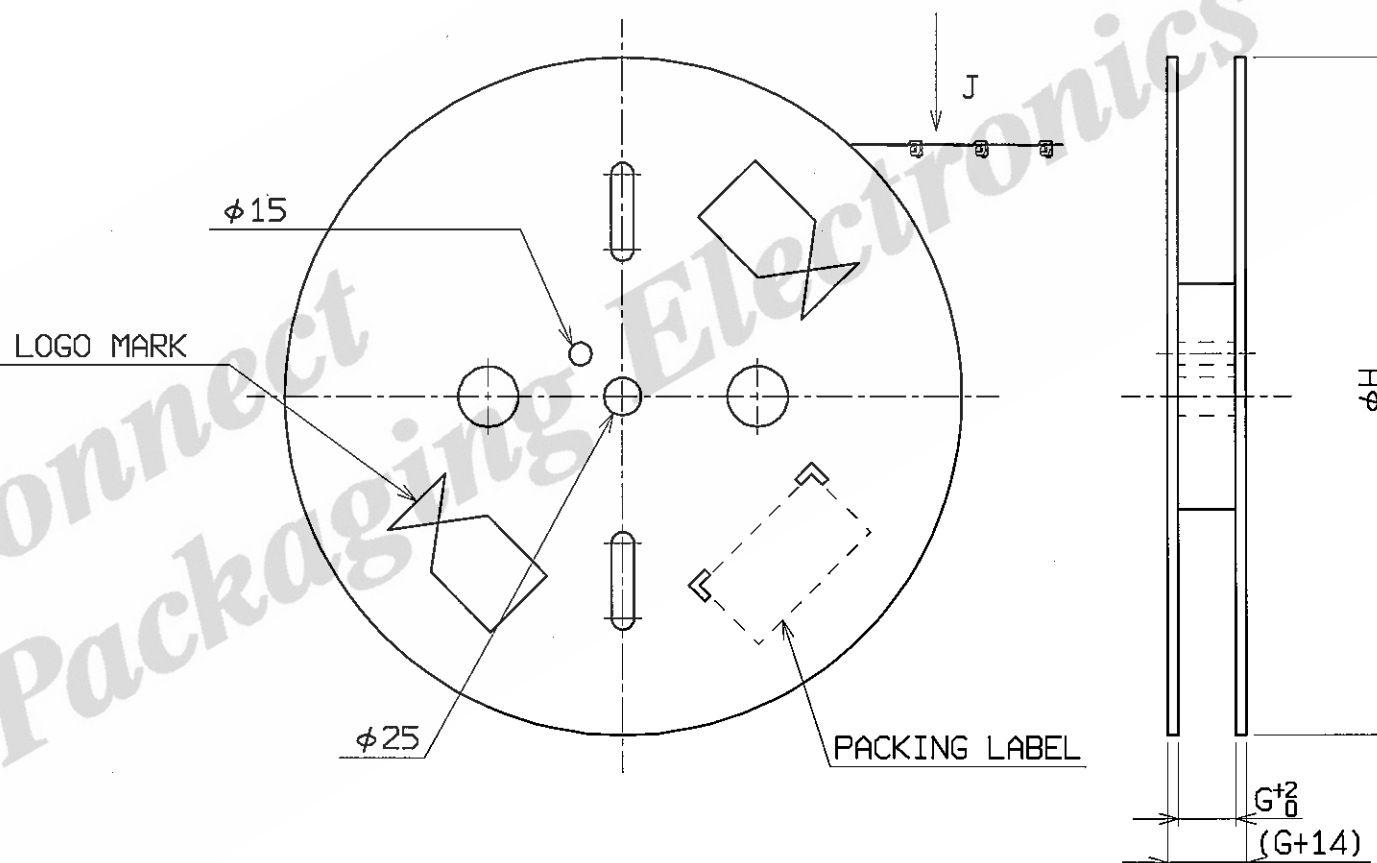
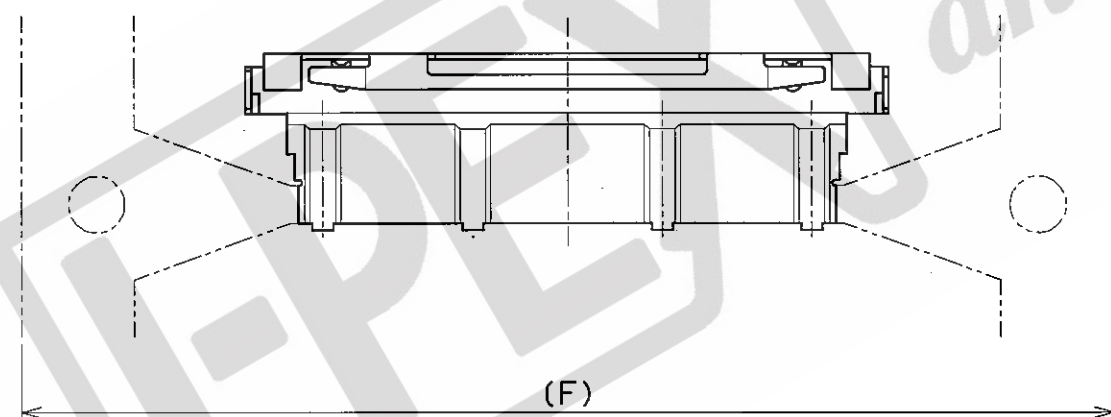
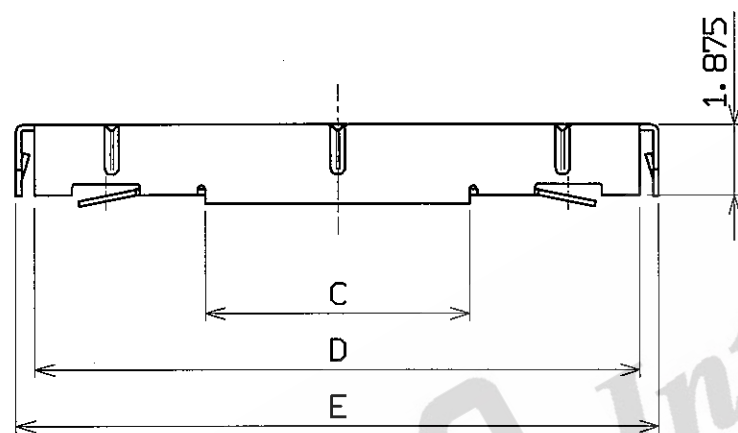
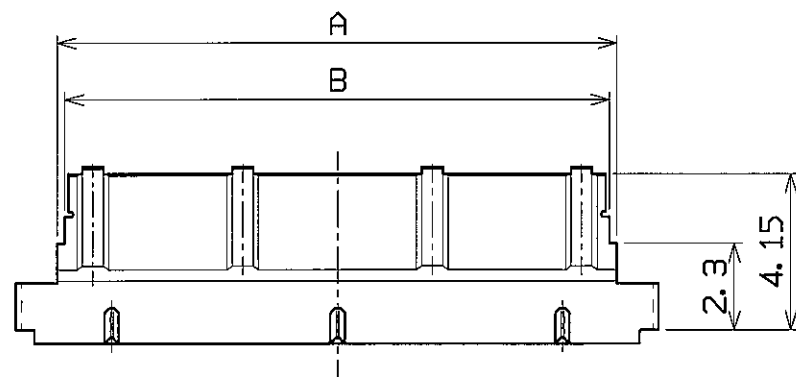
F: LEAD FREE (Sn PLATING)

1: WITH NOTCH
2: WITHOUT NOTCH



VIEW J

ROLL UP DIRECTION



PACKING REEL
(S=1/5)

NOTE
1. MATERIAL
COPPER ALLOY
2. FINISH
Sn PLATING

GENERAL TOLERANCE	
6 MAX.	±0.2
6 OVER MAX. 30	±0.3
30 OVER MAX. 120	±0.5
ANGLE	±2°

DESIGN' D BY	DATE	Interconnect and Packaging Electronics TOKYO, JAPAN					
T. TAGAWA	MAR/17/ 00						
CHK' D BY	DATE	TITLE					
Y. H	MAR/17/ 00	DUALCOAX ST-TYPE SHELL A					
7 206403 K.T Aug.18/06 J.H	APP' D BY	DATE	SCALE	UNIT	DWG. No.	SHEET	REV.
REV ECN BY DATE APP	K. KATABUCHI	MAR/17/ 00	5/1	MM	1791	1/1	7
REV. RECORD	CUSTOMER COPY	PROJECTION					
SERIES No., 2812							