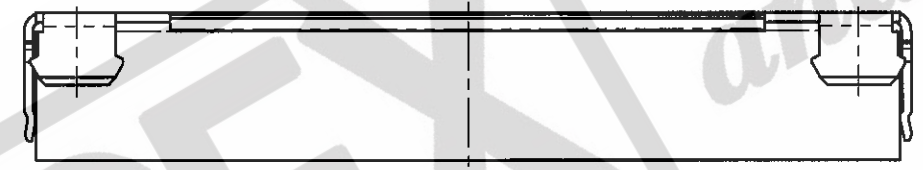
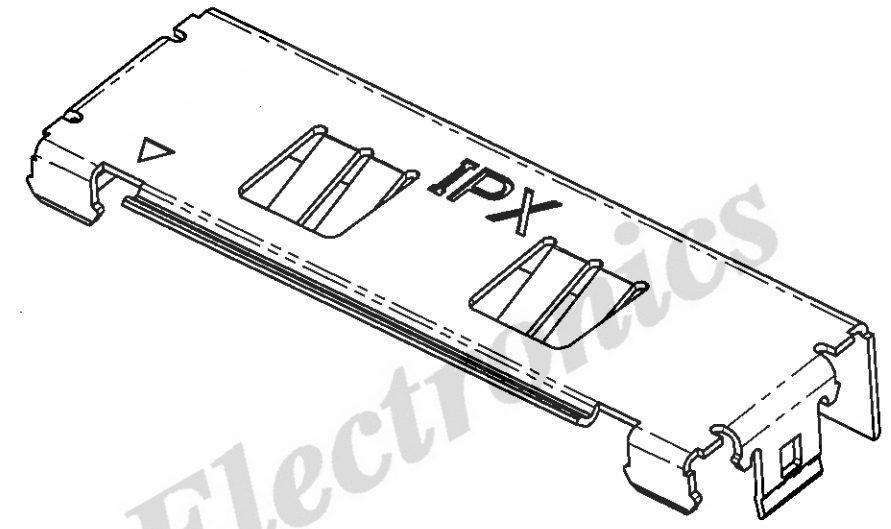
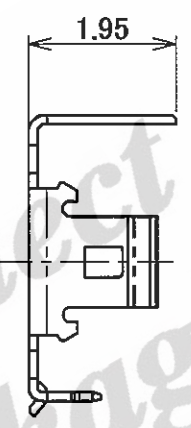
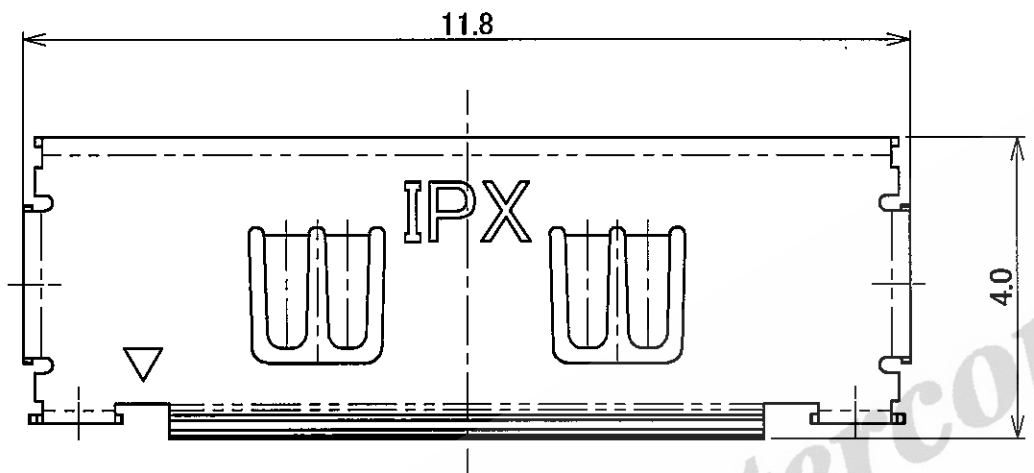
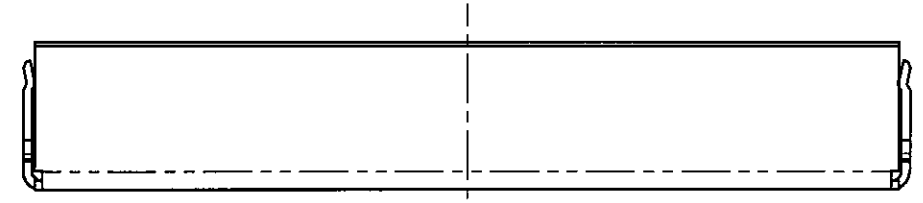


PART NO.	CABLE ASS'Y P/N
1767-016T	20246-016T-***



NOTES  
 1. MATERIAL & FINISH  
 COPPER ALLOY, Sn REFLOW

GENERAL TOLERANCE	
6 MAX.	±0.2
6 OVER MAX. 30	±0.3
30 OVER MAX. 120	±0.5
ANGLE	±2°

3	Z06136	TAK	Jun/28/06	7.74	DESIGN'D BY	H.Takahashi	DATE	FEB/05/'01						
2	Z2171	A.H	JUL/15/'02	K.K	CHK'D BY	E.Kawabe	DATE	FEB/06/'01						
1	Z1082	A.H	MAY/09/'01	K.K	APP'D BY	K.Katabuchi	DATE	FEB/06/'01						
0	Z1015	H.T	FEB/05/'01											
REV	ECN	BY	DATE	APP	REV.RECORD		CUSTOMER COPY		PROJECTION	SCALE	UNIT	DWG. No.	SHEET	REV.
					SERIES No.					10:1	mm	1767	1/1	3



TITLE  
**CABLINE III PLUG 16P METAL COVER**