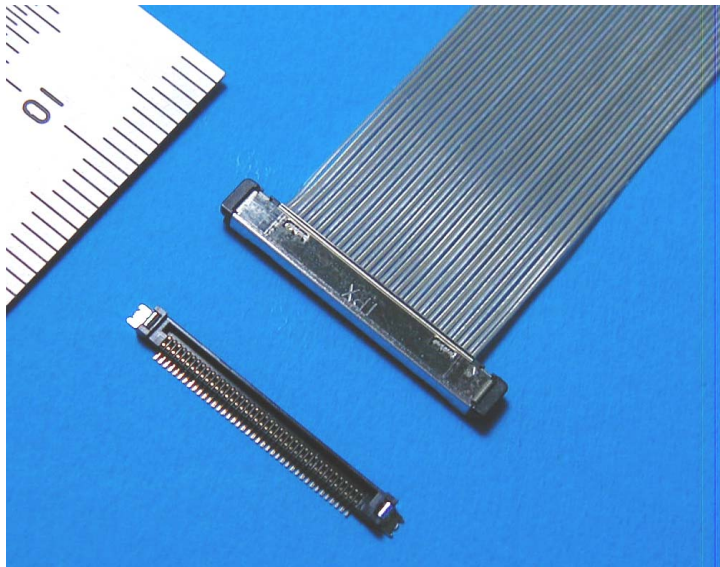


CABLINE-SS Connector



CABLINE-SS

3.0mm

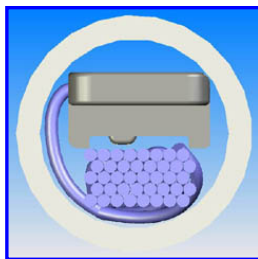
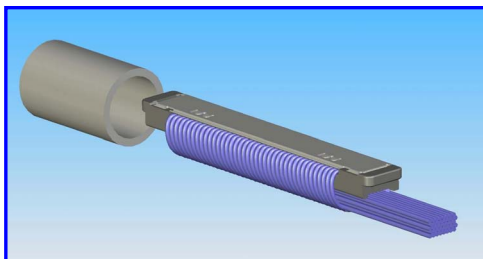
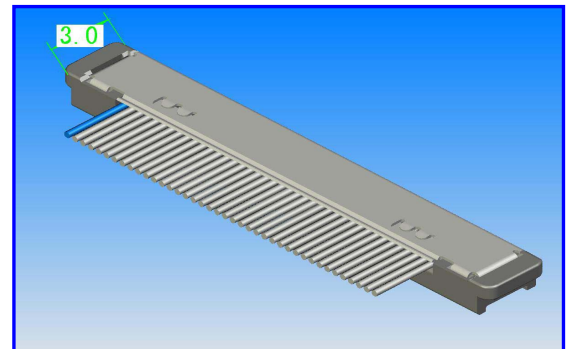
30p 40p 50p

0.4mm

SMT

H=1.65mm

SGC AWG#42

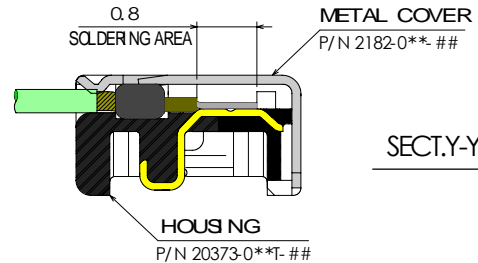
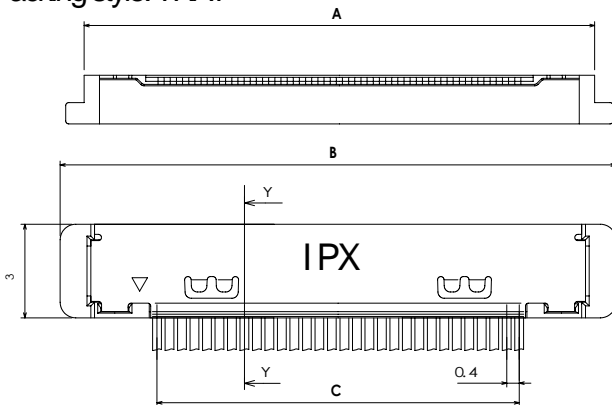


<PLUG>

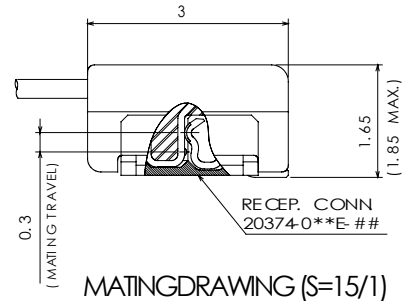
PART NO.	POS.	Housing	Metal Cover	A	B	C
20380-030T-##	30	20373-030T-##	2182-030-##	16.6	17.8	11.6
20380-040T-##	40	20373-040T-##	2182-040-##	20.6	21.8	15.6
20380-050T-##	50	20373-050T-##	2182-050-##	24.6	25.8	19.6

UNDER DEVELOPING

Packing style: TRAY



SECT.Y-Y (S=15/1)



MATING DRAWING (S=15/1)

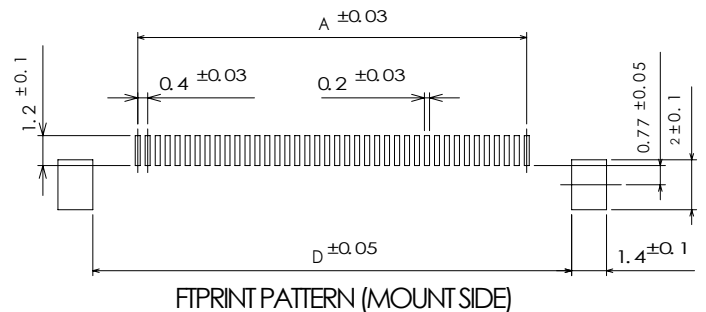
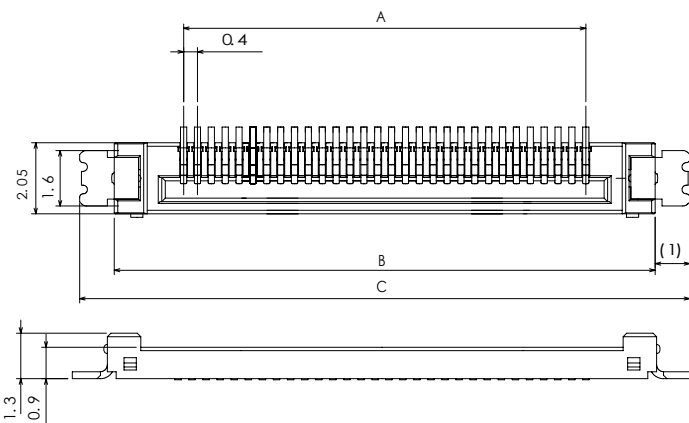
<RECEPTACLE>

PART NO.	POS.	A	B	C	D
20374-030E-##	30	11.6	15.6	17.6	15.2
20374-040E-##	40	15.6	19.6	21.6	19.2
20374-050E-##	50	19.6	23.6	25.6	23.2

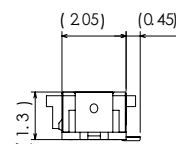
##: 00- Without Vacuum Clip
01- With Vacuum Clip

UNDER DEVELOPING

Packing style: Emboss tape



FINGERPRINT PATTERN (MOUNT SIDE)



MATERIAL&FINISH

Product	Parts	Material	Finish	UL
PLUG 20380-0**T-##	HOUSING	LCP	BLACK	UL94V-0
	CONTACT	COPPER ALLOY	Au OVER Ni	-
	METAL COVER	COPPER ALLOY	Sn REFLOW	-
RECEPTACLE 20374-0**E-##	HOUSING	LCP	BLACK	UL94V-0
	CONTACT	COPPER ALLOY	Au OVER Ni	-
	FIXING METAL	COPPER ALLOY	Sn/Cu OVER Ni	-