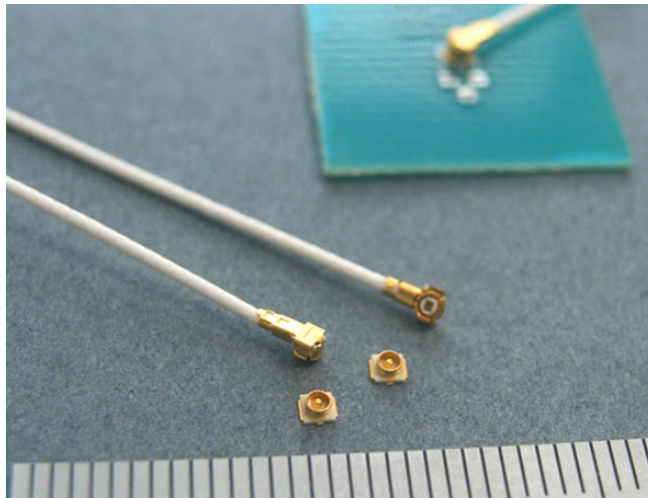


MHF III Micro coaxial connector

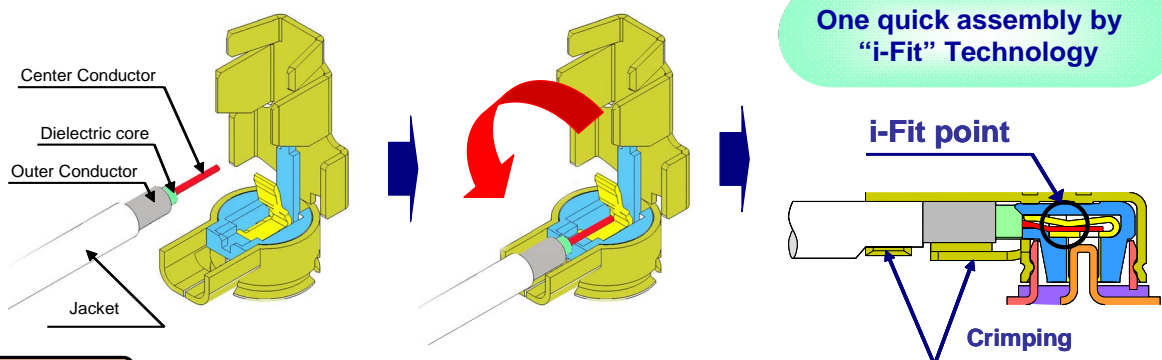
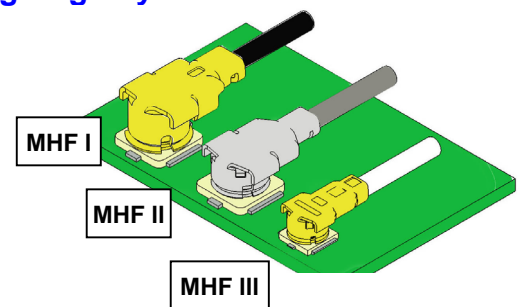


I-PEX proudly introduces **MHF III connector**, which is mainly developed for RF micro coaxial connector to the market of Cell phone, WLAN, Bluetooth, and PDA with remarkable **low profile 1.5mm max. mating height**.

Our well reputed, **"i-Fit"® technology** provides **stable quality and high-frequency property**. Deformation free design is generated by high rigidity structure.

< Key Features >

- Low Profile: 1.5mm MAX. Mating Height
- Applicable Frequency up to 6GHz
- Easy Cable Termination by "i-Fit"® Technology
- Applicable Cable: O.D. 0.8mm Coaxial Cable
- Cable ass'y machine available



Patent pending

*Specifications subject to change without prior notice for the improvements

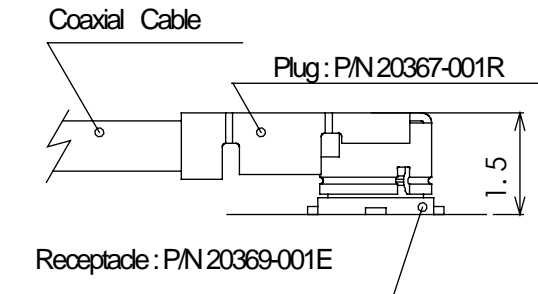
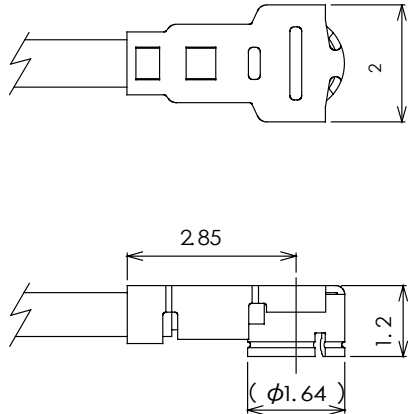
I-PEX Co.,Ltd.

HEAD OFFICE 6-27-19 Haramachida, Machida City
Tokyo 194-0013 Japan

TEL +81-42-729-1670 FAX +81-42-729-1671

<PLUG CABLE ASSY>

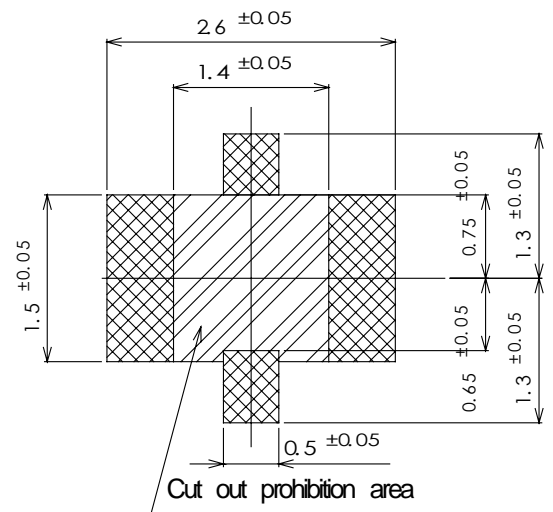
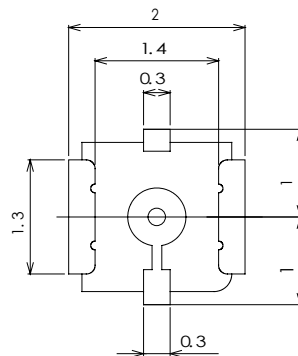
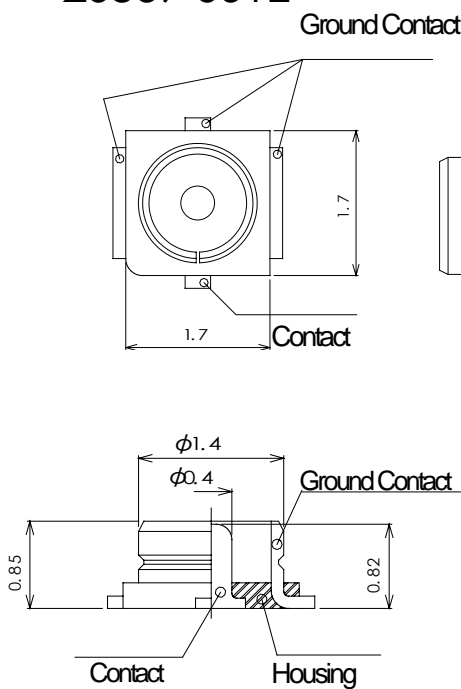
20367-001R



MATING

<RECEPTACLE>

20369-001E



Recommended Footprint Pattern

MATERIAL&FINISH

Product	Parts	Material	Finish	UL
PLUG 20367-001R	HOUSING	LCP	Natural	UL94V-0
	CONTACT	PHOSPHOR BRONZE	Au OVER Ni	-
	GND CONTACT	PHOSPHOR BRONZE	Au OVER Ni	-
RECEPTACLE 20369-001E	HOUSING	LCP (GF=30%)	Natural	UL94V-0
	CONTACT	BRASS	Au OVER Ni	-
	GND CONTACT	PHOSPHOR BRONZE	Au OVER Ni	-