

# SC-17

셸드 케이스 고정 금구

**Product Specifications:**

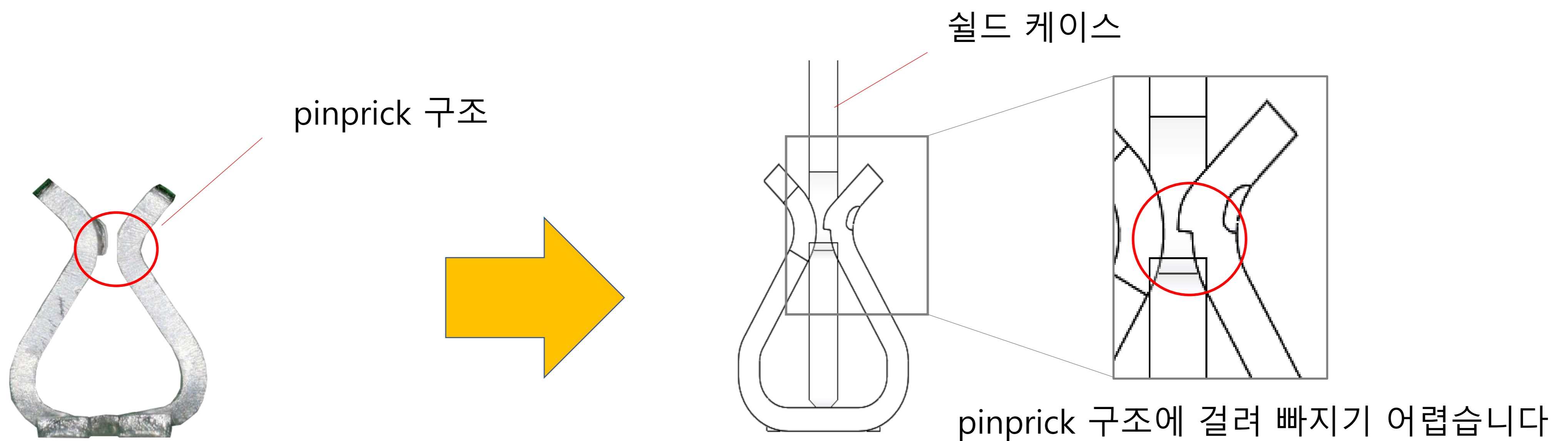
Operating Temperature	233~358 K (-40 °C~+ 85°C)
Operating Humidity	85 % Max. (Non-Condensing)
Durability	3 CYCLES
Contact Resistance (For Grand Contact)	INITIAL: 120mΩ Max. / AFTER TEST: $\triangle$ 40mΩ Max.
Coplanarity	0.08 Max.



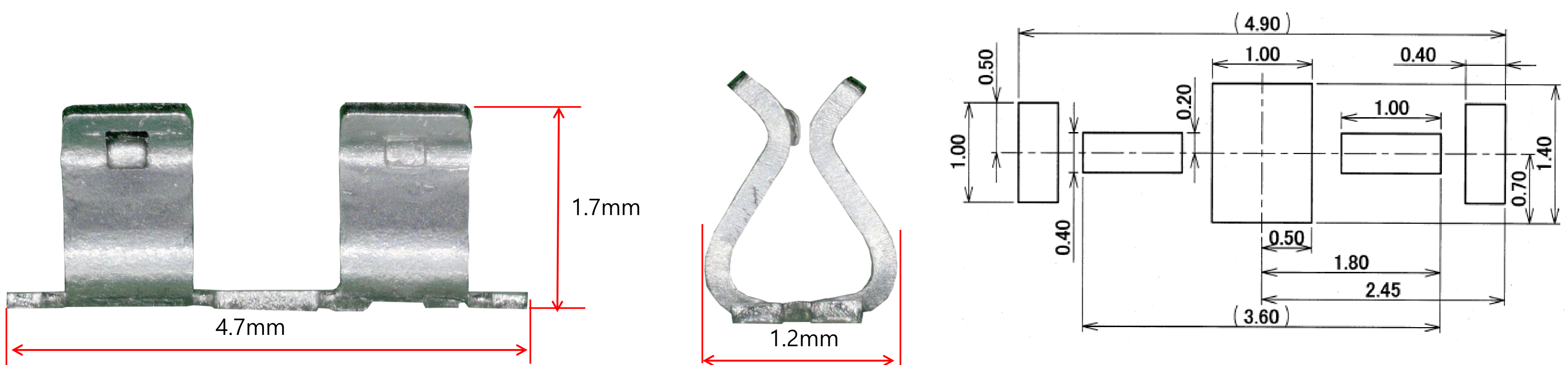
▶ 삽입 가이드를 타고 셸드 케이스 부착 작업성 향상



▶ 접점부의 Pinprick 구조로 인해 셸드 케이스가 빠지기 어렵습니다



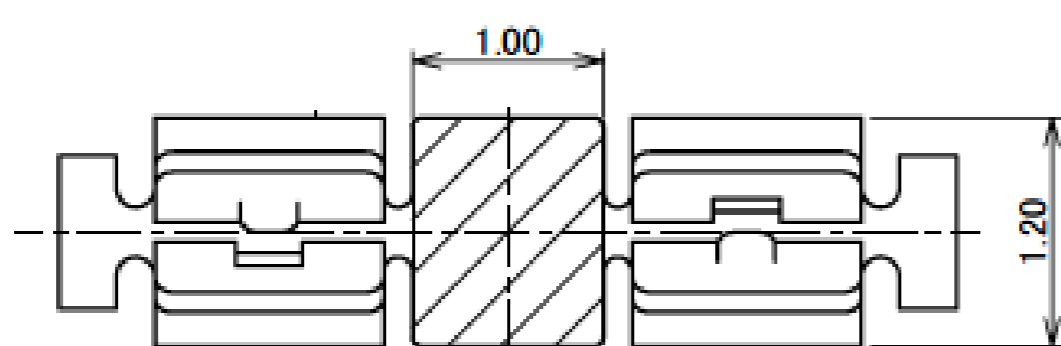
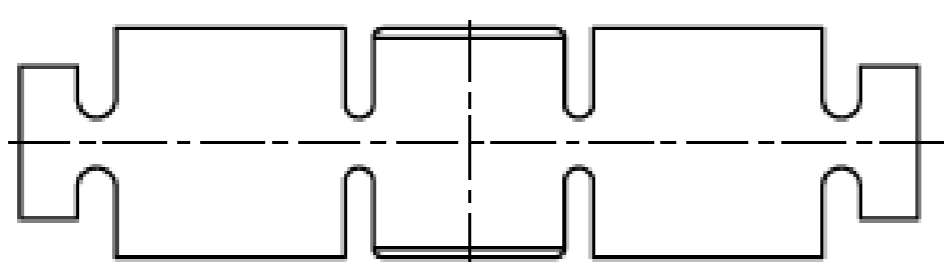
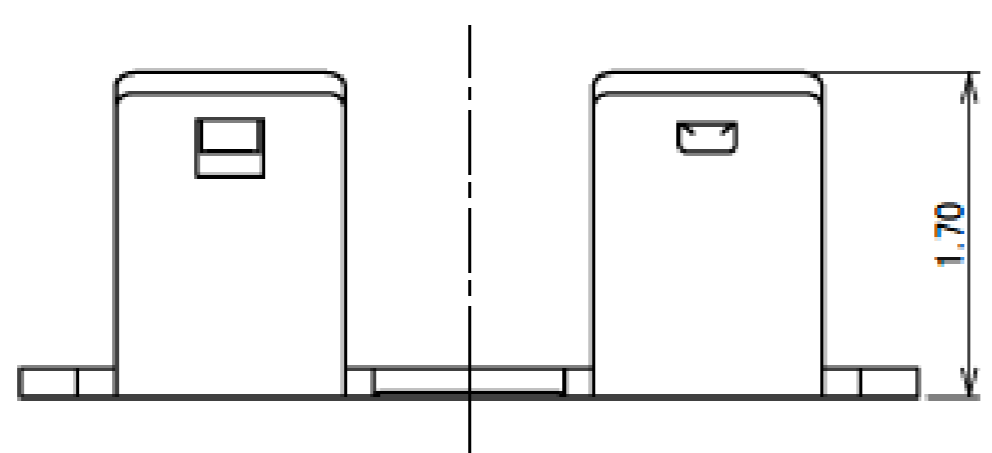
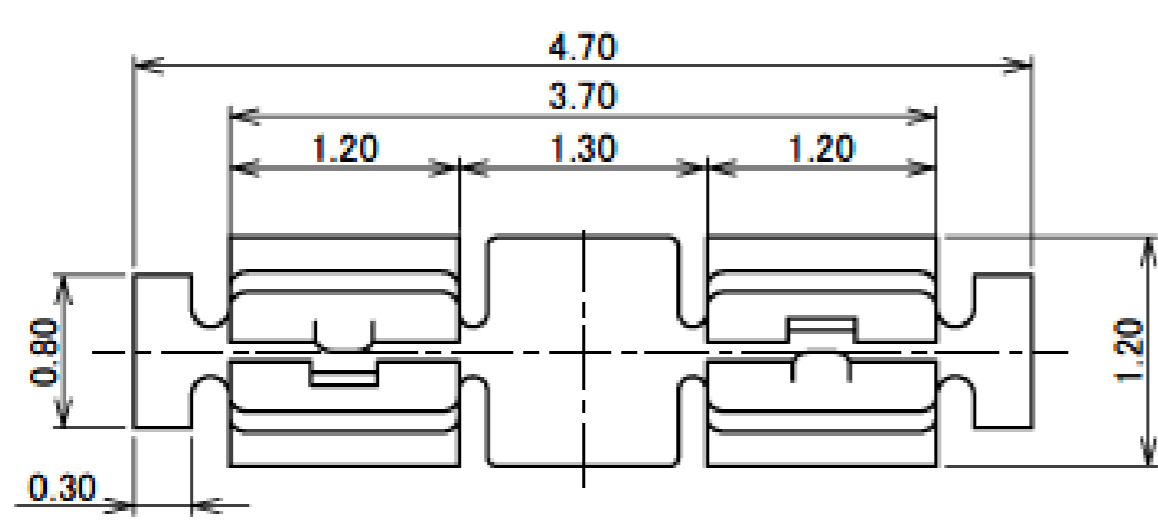
▶ 제품 실장 면적 축소



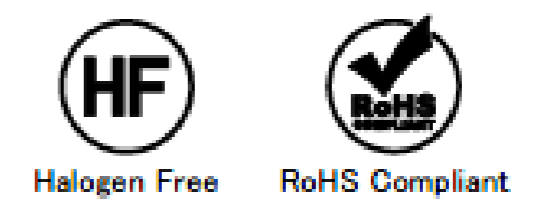
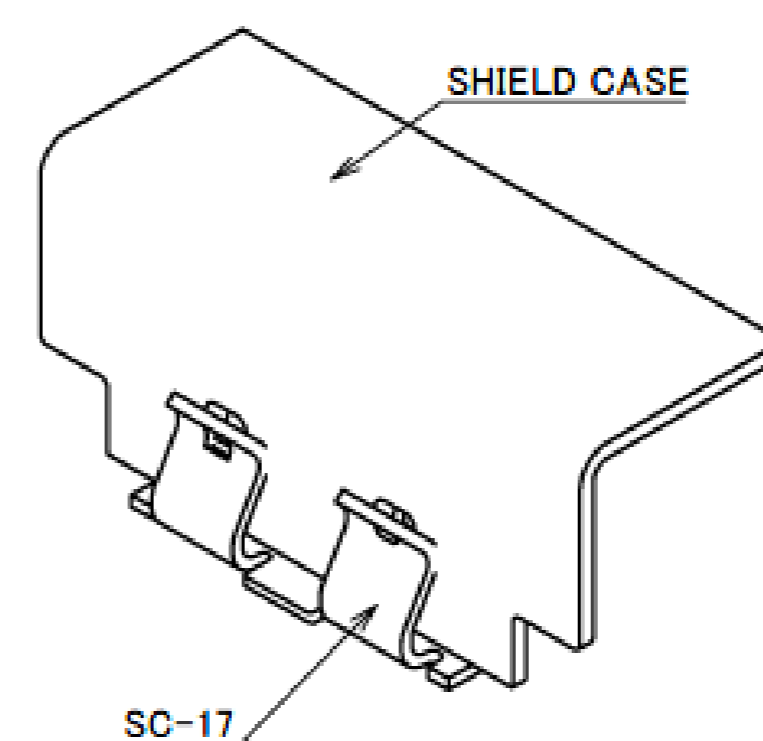
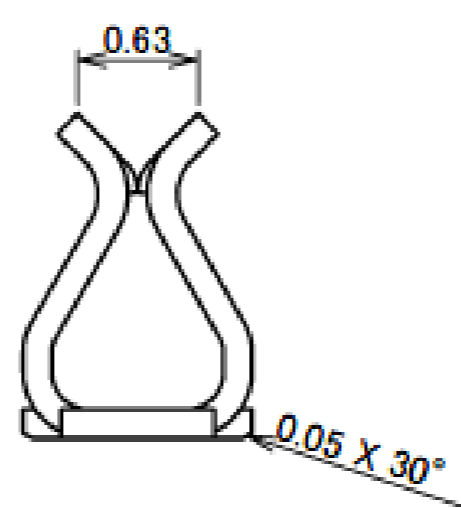
# Component Parts Details

## SC-17

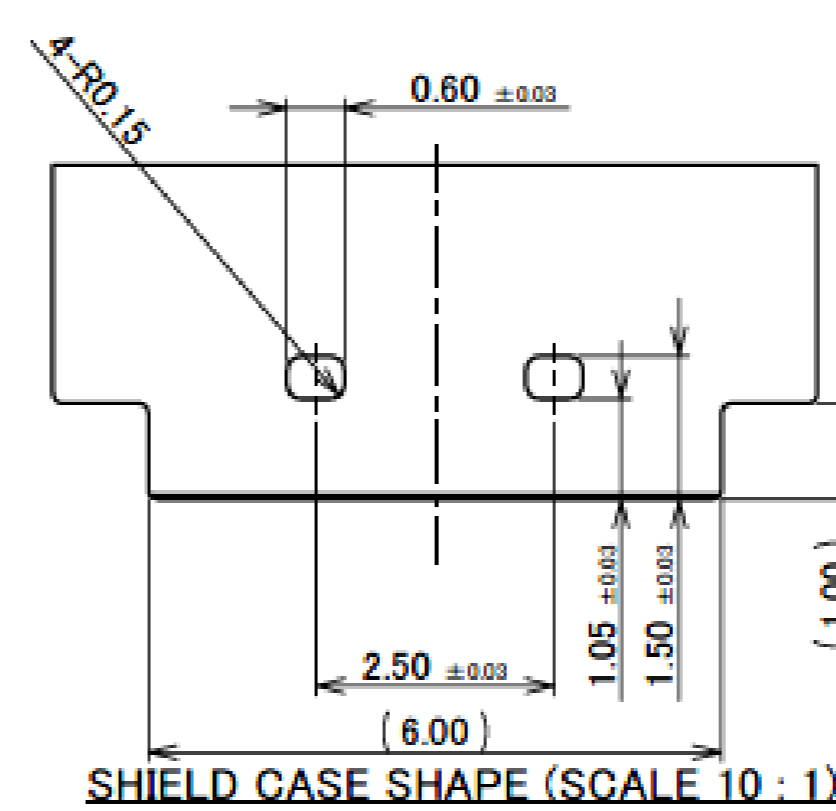
Recommended P/N	3394-0001
PART NO.	3394-0001



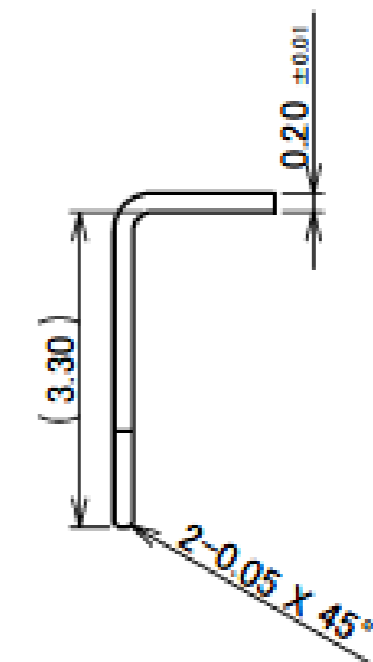
PICK UP AREA



SHIELD CASE MATING STATE(SCALE 10 : 1)



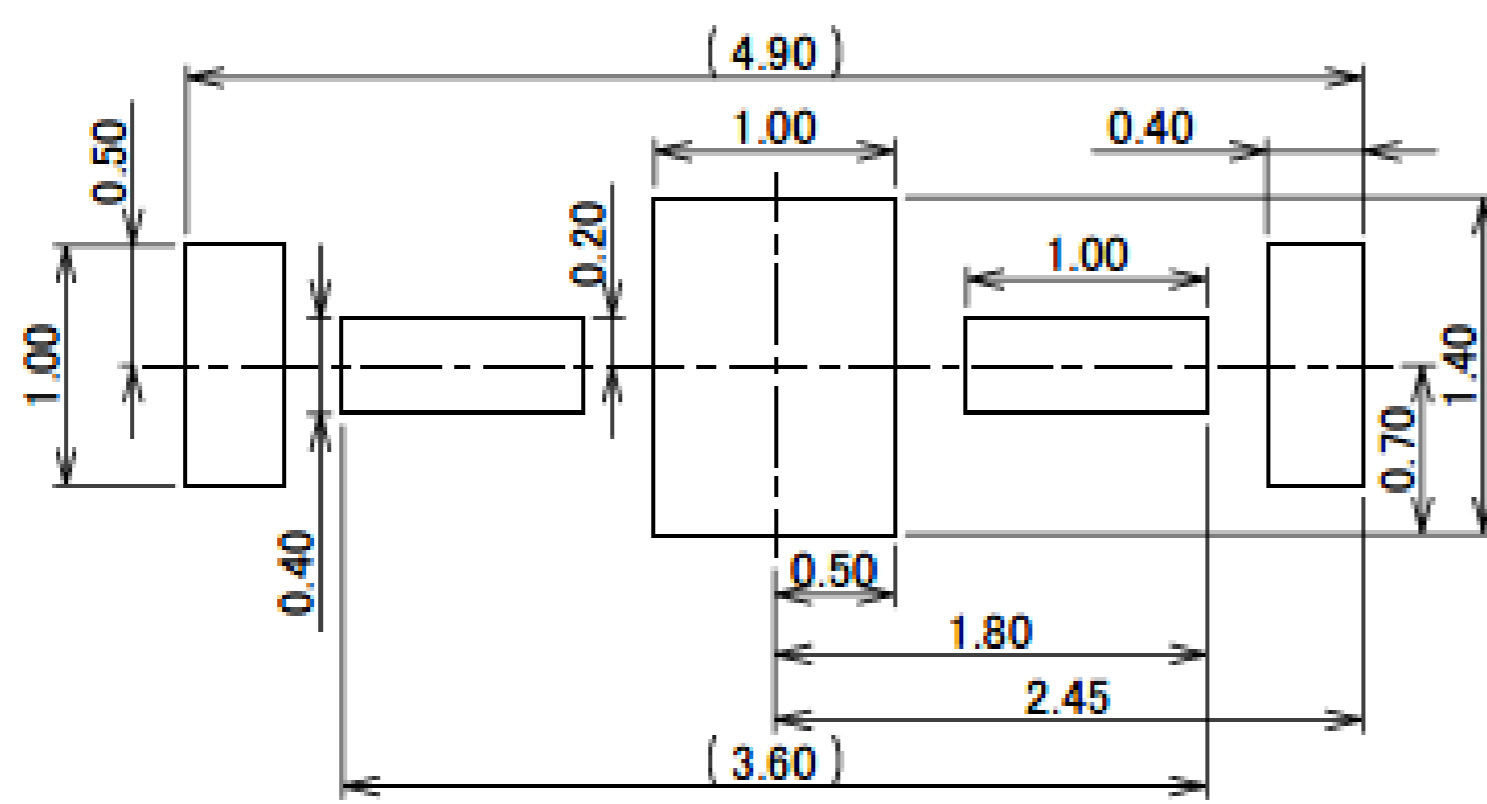
SHIELD CASE SHAPE (SCALE 10 : 1)



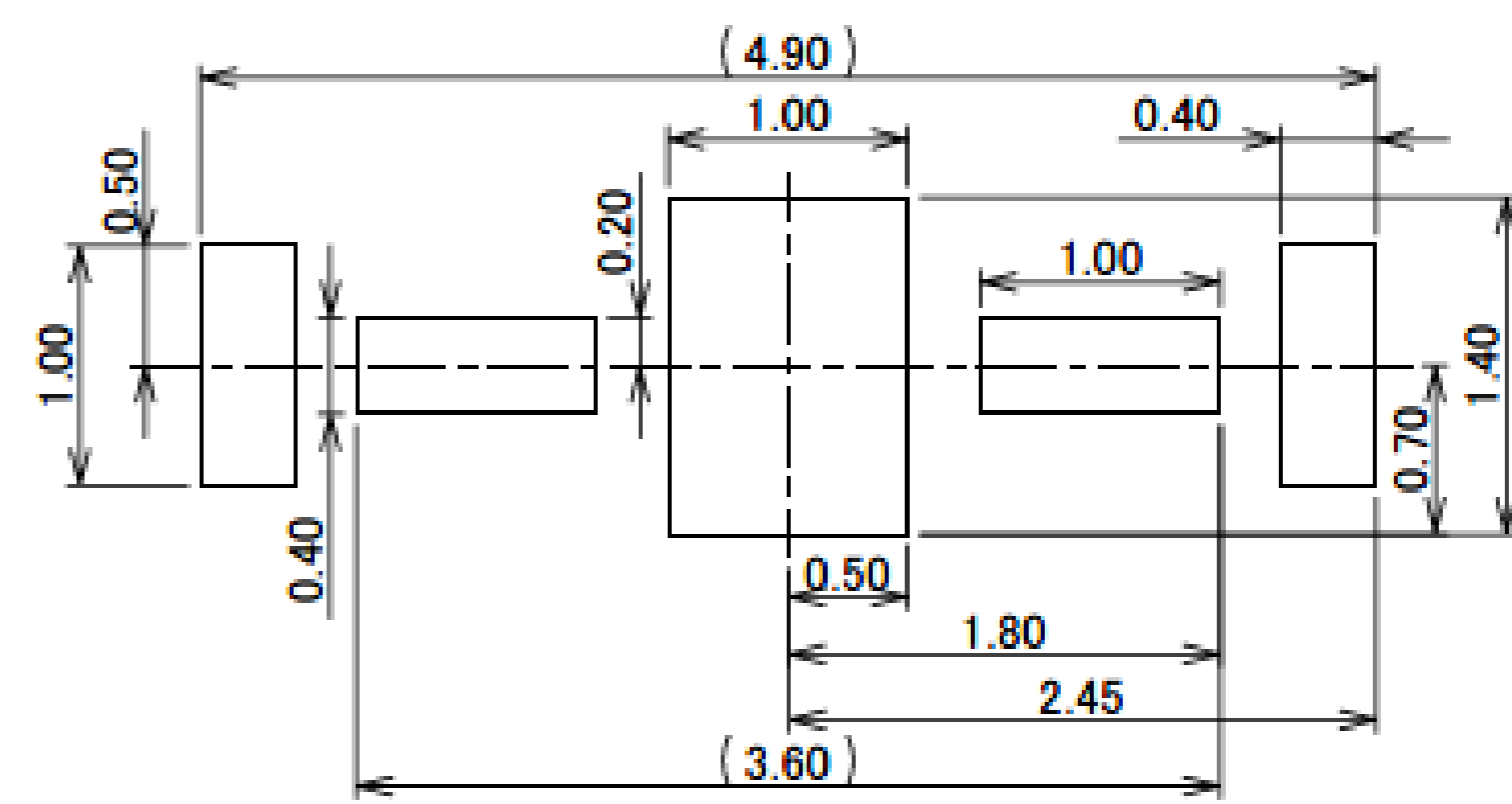
NO.	DESCRIPTION	MATERIAL	FINISH , REMARKS
1	CONNECTOR	SUS301-EH	UNDER PLATE : Ni 0.6 μm ~ 1.2 μm. ALL OVER : Sn-Ag-Cu 0.8 ~ 1.6 μm.

ITEMS	SPECIFICATION
OPERATING TEMPERATURE	233~358K(-40°C~+85°C)
OPERATING HUMIDITY	85% MAX.(NON-CONDENSING)
CONTACT RESISTANCE (FOR GROUND CONTACT)	INITIAL : 120 mohm MAX. / AFTER TEST : <math>\triangle 140</math> mohm MAX.
DURABILITY	3 CYCLES
MATING FORCE (INITIAL / AFTER TEST)	29.5 N MAX.
UNMATING FORCE (INITIAL / AFTER TEST)	8.0 N MIN.
COPLANARITY	0.08 MAX.
PRODUCT SPECIFICATION	PRS-2438
TEST REPORT	TR-17096
PACKING STANDARD	PST-17094
INSTRUCTION MANUAL	HIM-17028
APPEARANCE CRITERIA No.	QLS-A***

Rev.4



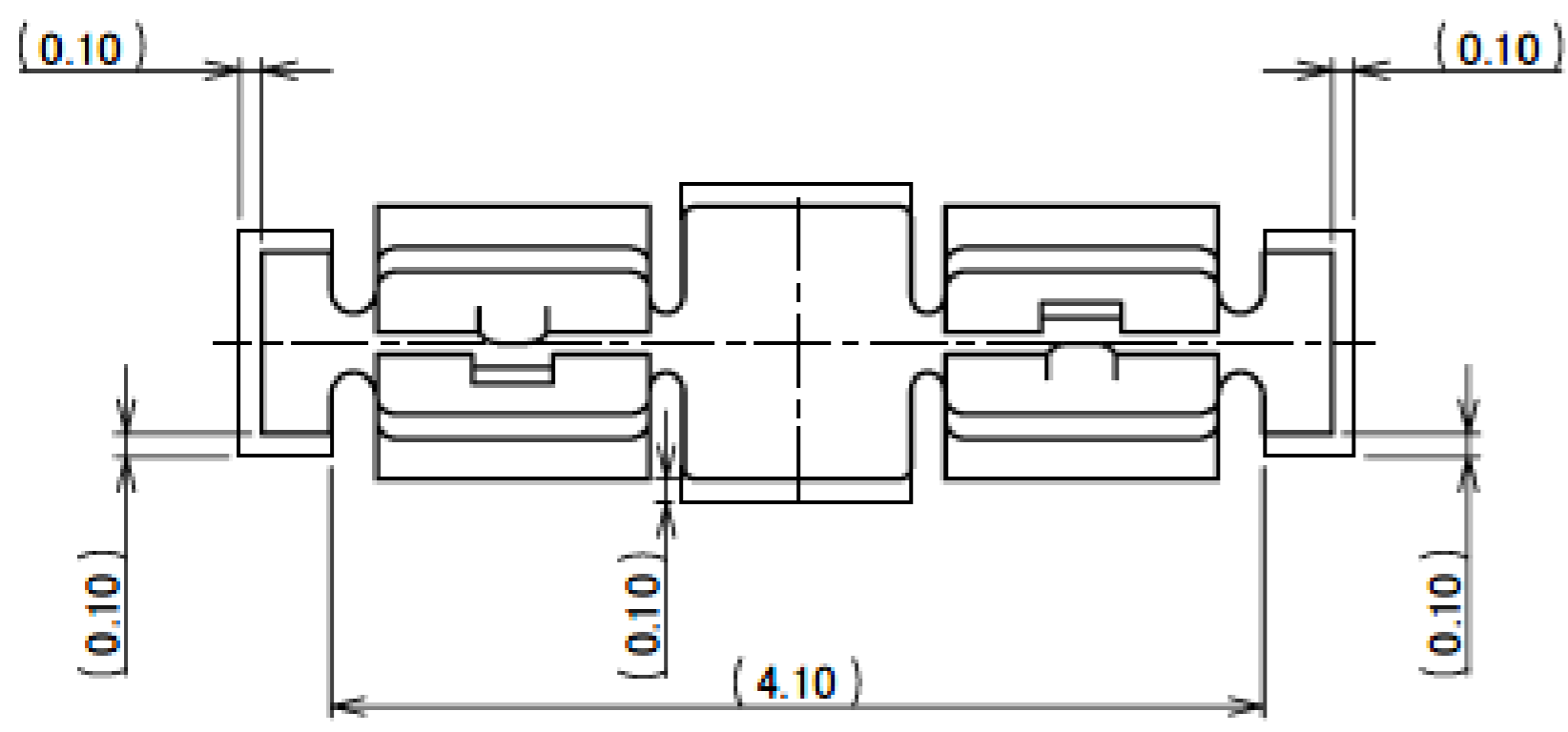
**RECOMMENDED FOOTPRINT PATTERN LATOUT**



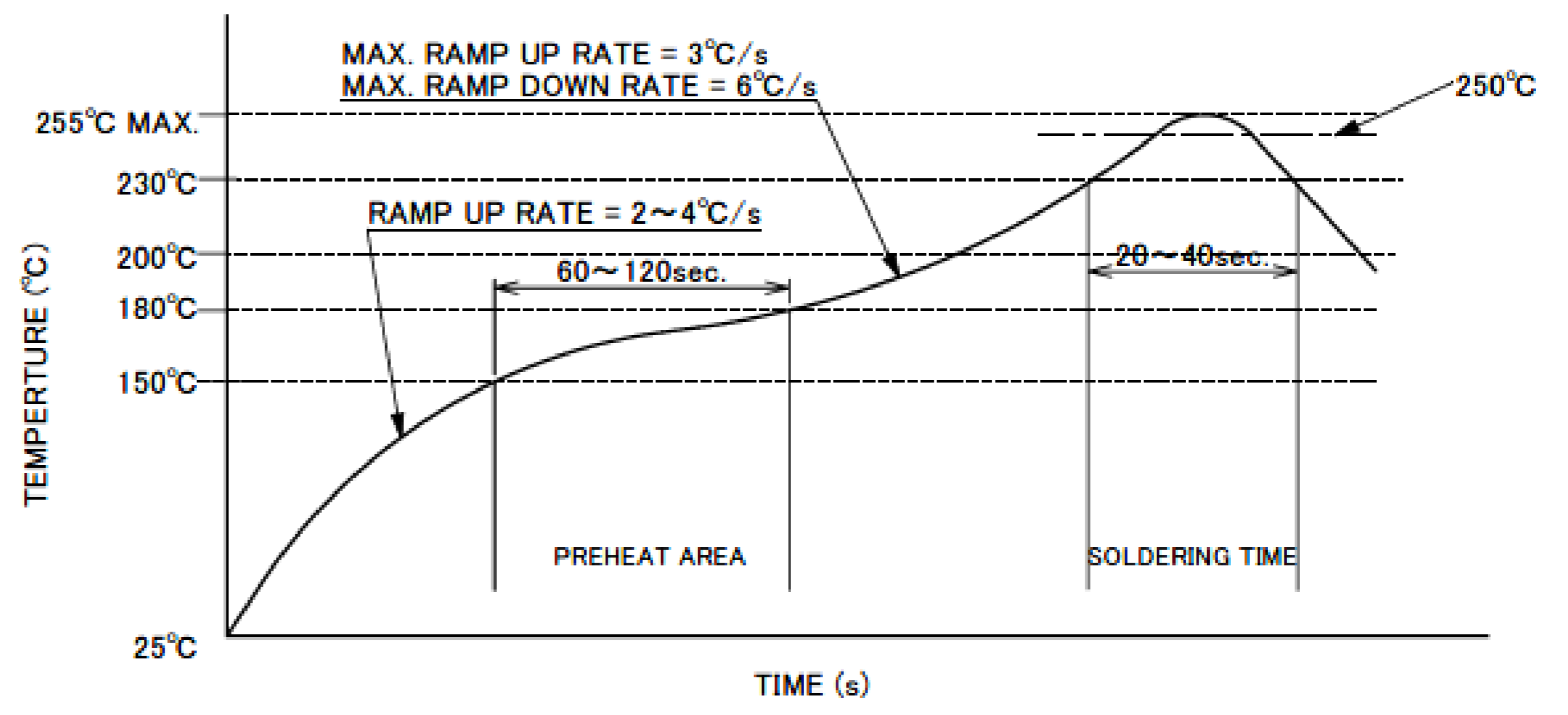
**RECOMMENDED METAL MASK LATOUT**  
**METAL MASK THICKNESS : T=0.12 mm)**

Rev.4

# SC-17



CONNECTOR ON RECOMMENDED FOOTPRINT PATTERN LATOUT



REFLOW TEMPERATURE PROFILE  
SENJU METAL INDUSTRY CO., LTD. : M705-SHF(Sn96.5 Ag3.0 Cu0.5)

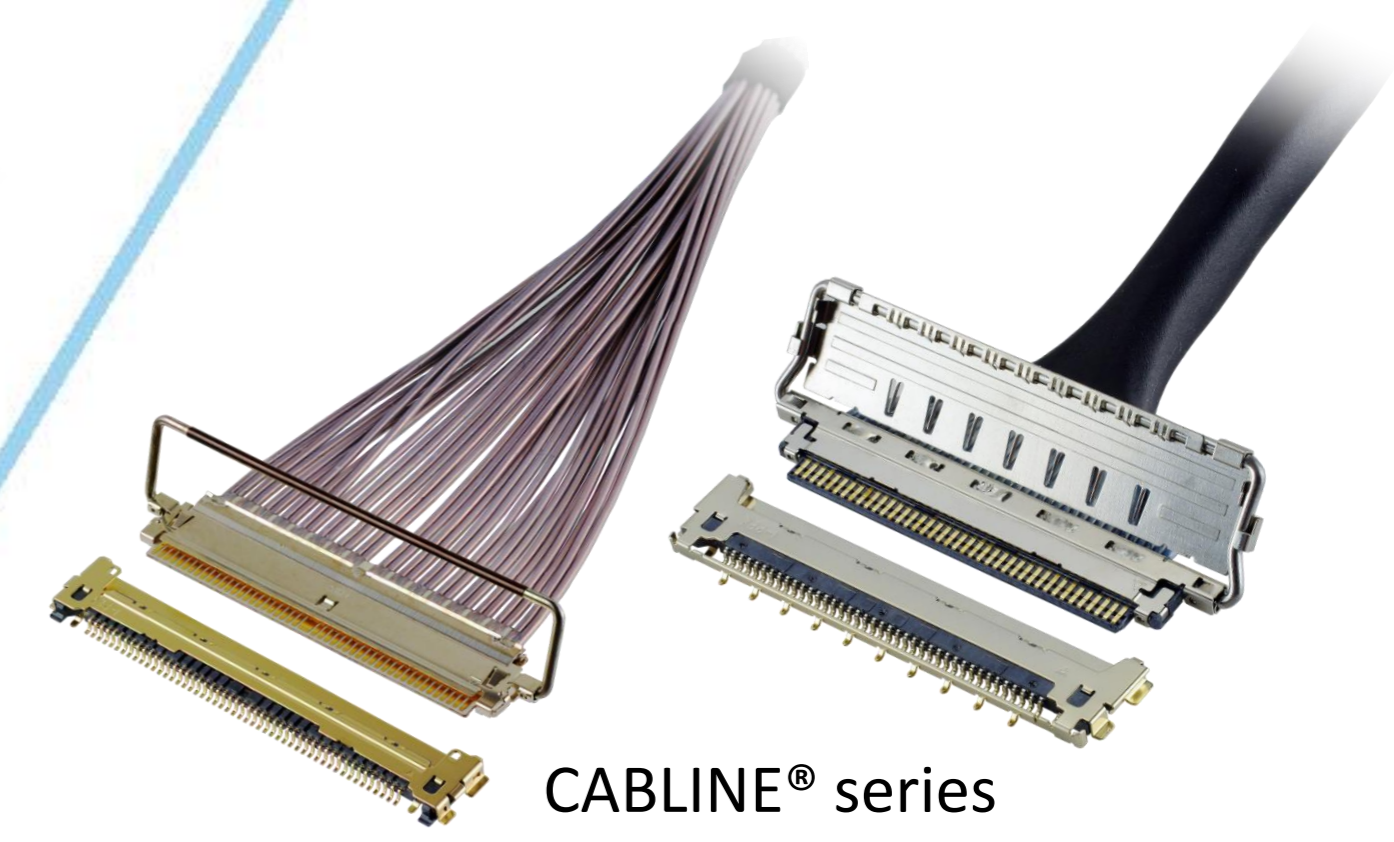
# Custom Products Available

## RF Connector

MHF® series



## Micro-coaxial/Twinax/ Discrete Wire Connector



CABLINE® series

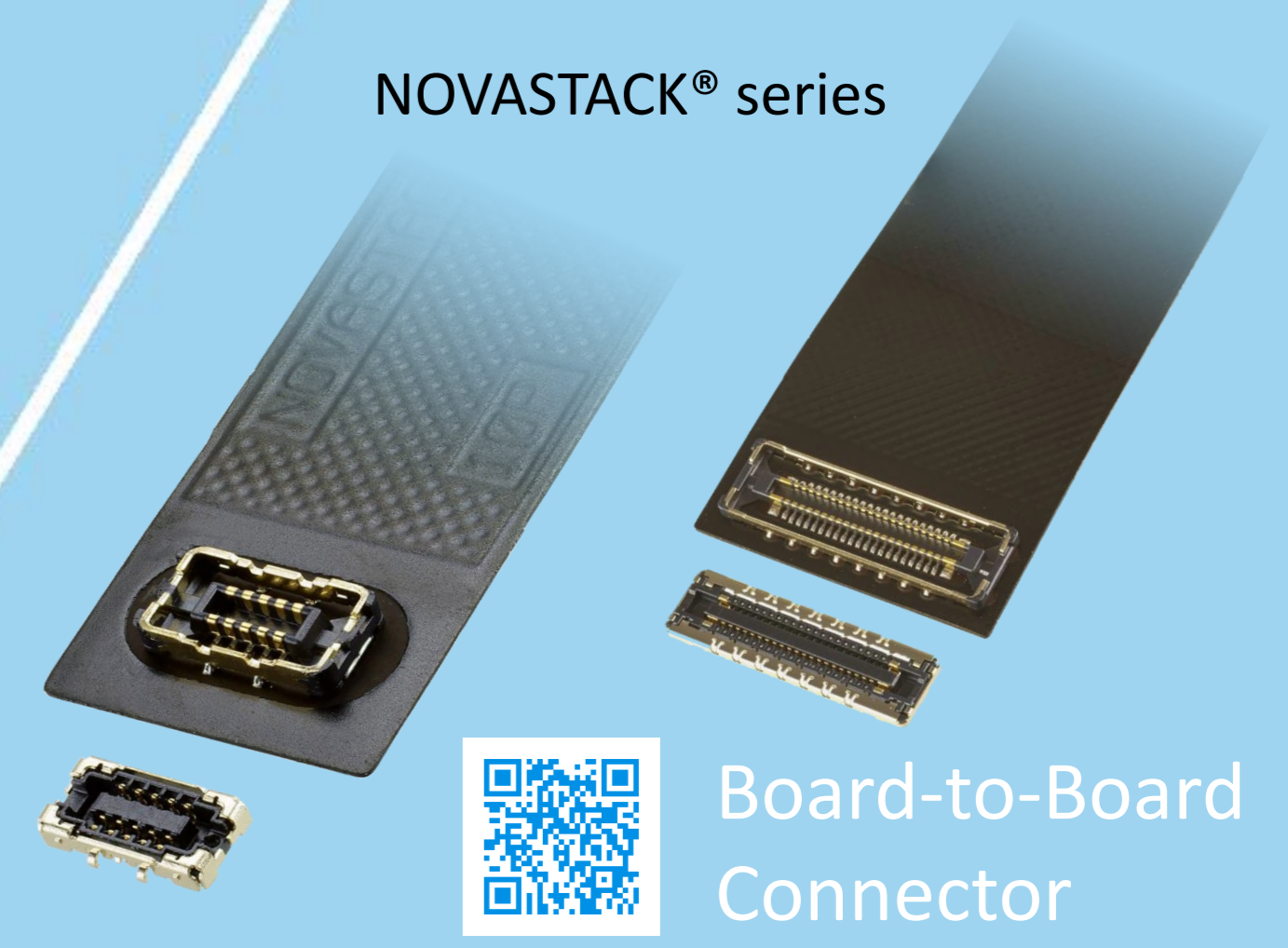


## Optical Module

LIGHTPASS® series



NOVASTACK® series



## Board-to-Board Connector



## Power Connector/ Terminal

AP series

ISH® series



MINIFLEX® series

EVAFLEX® series



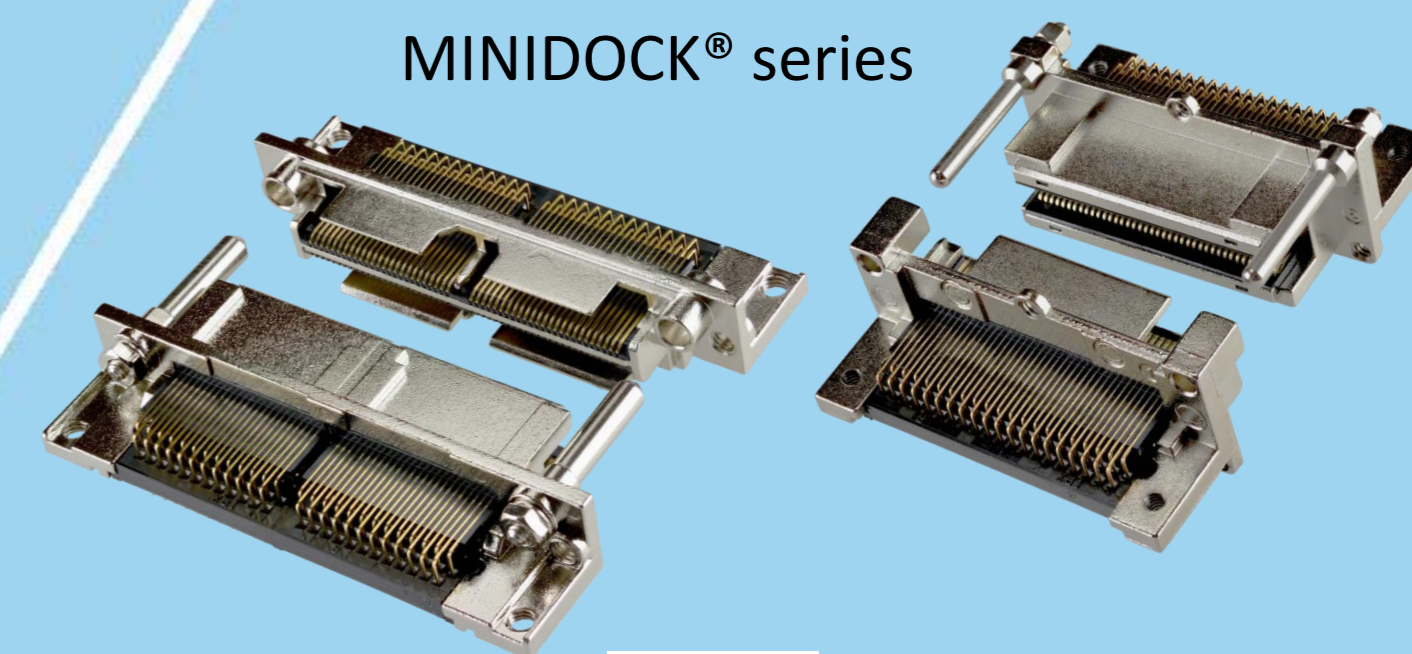
## FPC FFC Connector



Inquiry



MINIDOCK® series



## I/O Connector

I-PEX, MHF, CABLINE, LIGHTPASS, NOVASTACK, ISH, IARPB, MINIFLEX, EVAFLEX, MINIDOCKS and ZenShield are registered trademarks of I-PEX Inc. Please note that the contents in the catalog might be changed without prior notification. I-PEX Inc. assumes no responsibility for any inaccuracies or obligation to update information on these documents. Please be sure to read and understand the latest "Precautions for Use" and "Instruction Manual" before you use our products. We shall not be responsible for any defects, damages or troubles in case you use our products without following the precautions for use. Please feel free to contact our sales representatives when you use our products for any applications that require very high reliability and safety, or that relate to human life (ex. nuclear power control, aerospace, transportation, medical equipment, safety equipment etc.).

Contact your sales representative or more detailed information.

[www.i-pex.com](http://www.i-pex.com)



# I-PEX

© I-PEX Inc. 2024  
All rights reserved