

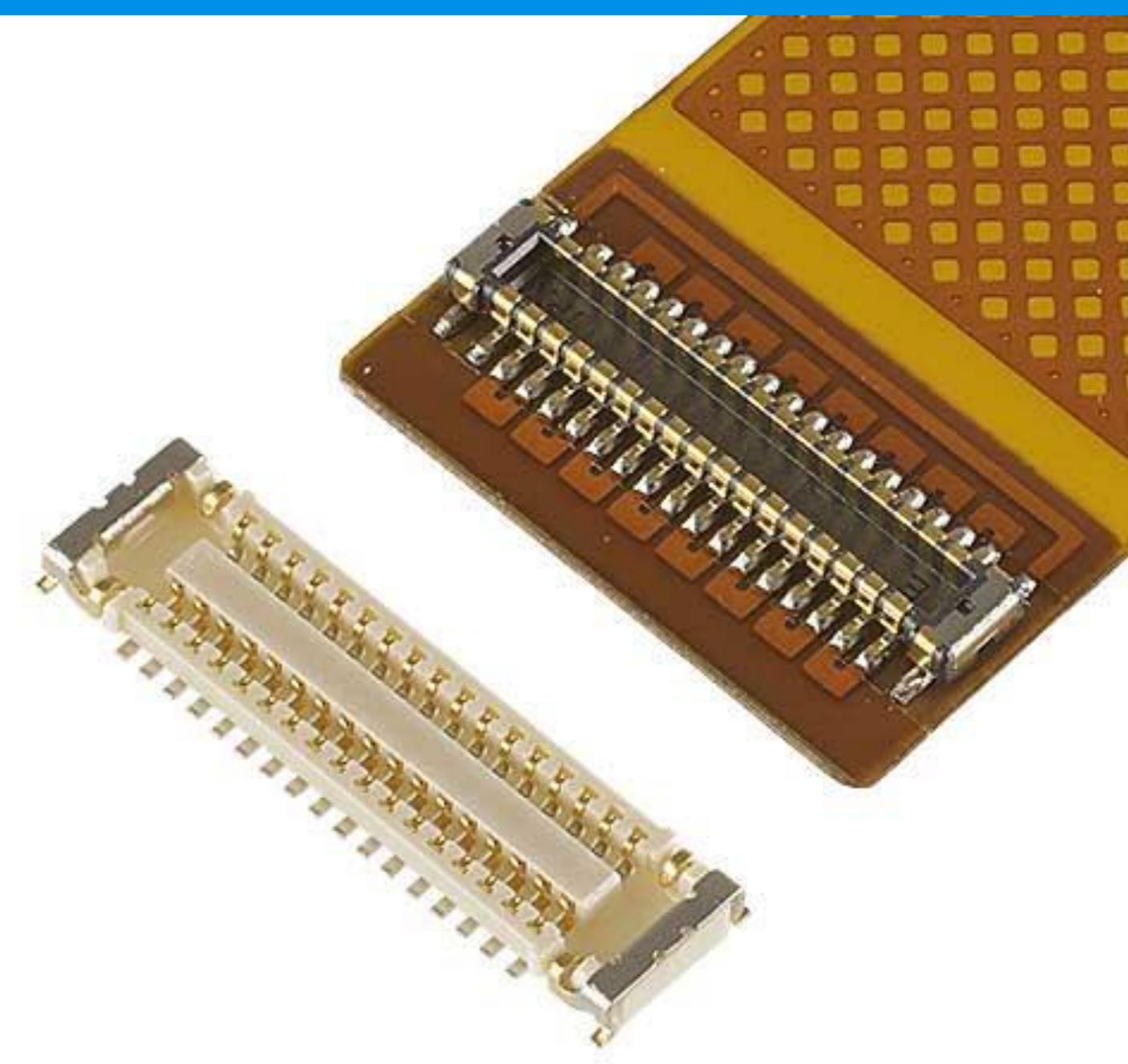
NOVASTACK® 35-P

通過hold-down結構和科森合金的主要端子，來傳輸電力線，堅固穩定，0.35 mm pitch, 高度 0.7 mm, 深度 2.3 mm

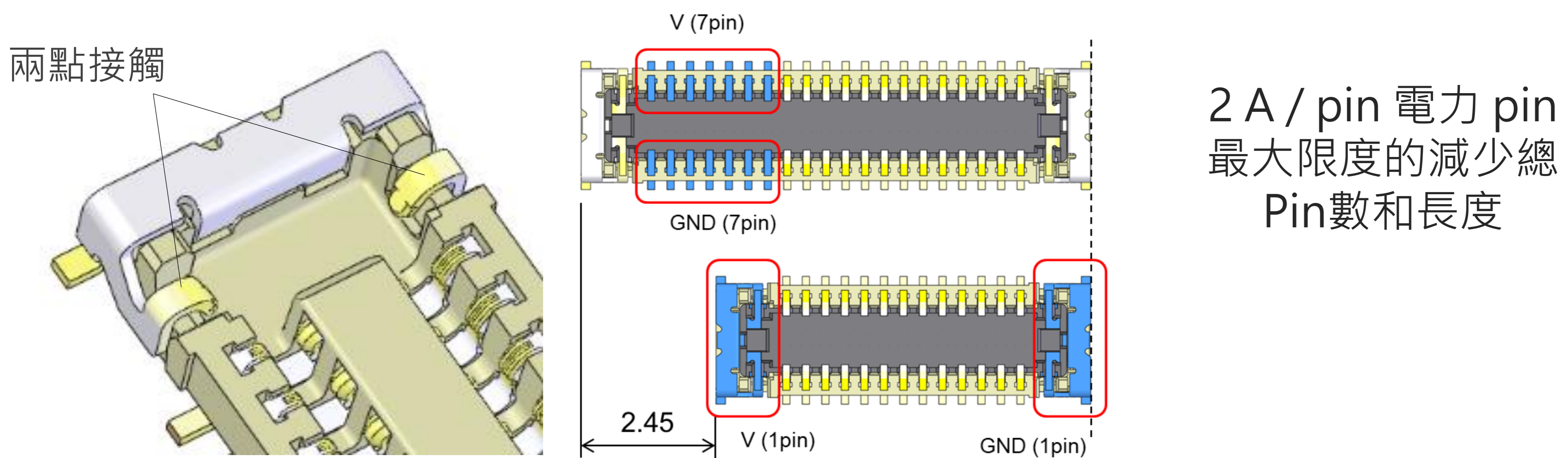
Product Specifications:

Board Pitch (mm)	0.35	
Wiping Length (mm)	0.19 (10~50 P), 0.13 (52~80 P)	
Mated Size (mm)	Height	0.7+/-0.1
	Width	Formula: 2.17 +(0.35*?p/2)
	Depth	2.3
Current Rating	Signal	0.3 A/pin
	Power	2.0 A/pin x 2
Pin Counts	Range	10 - 80 (signal) + 2 (power)
	Available	10, 14, 18, 20, 24, 30, 34, 40, 50, 60

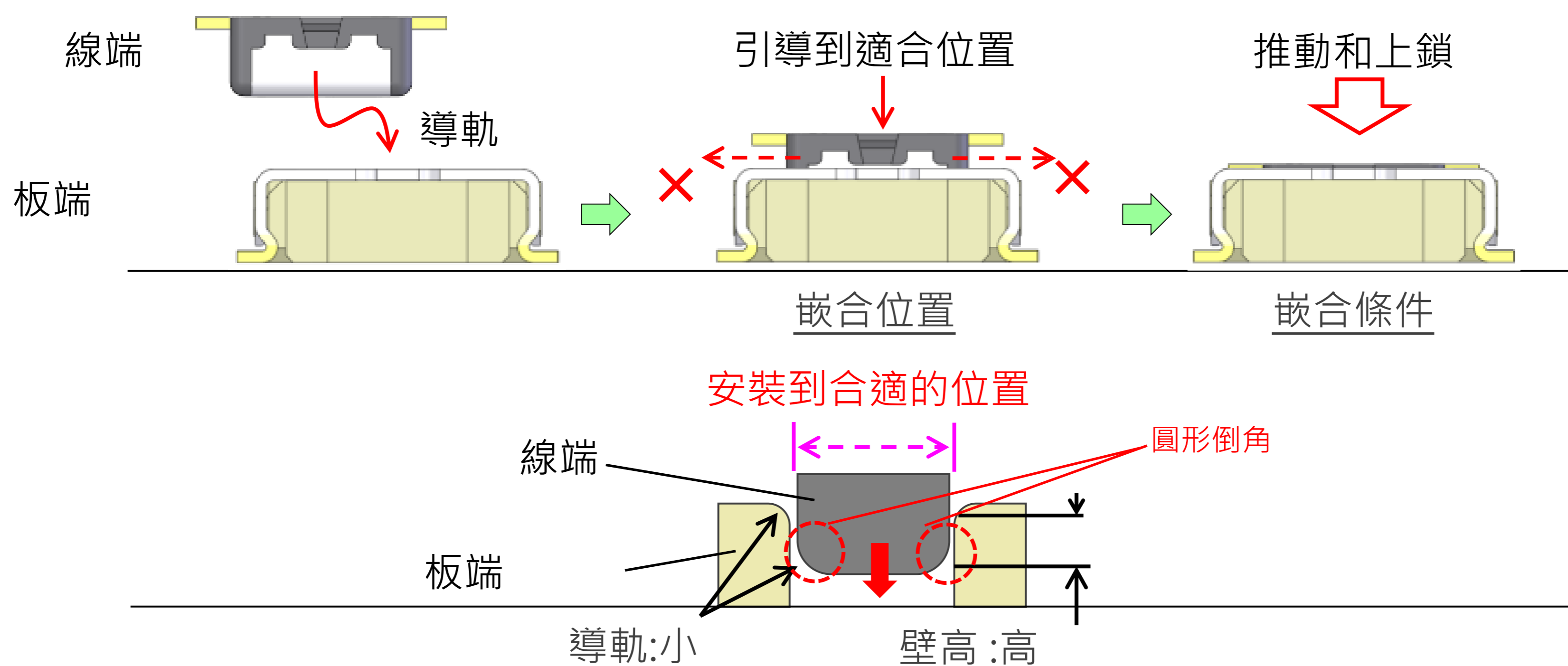
*若有規格外 Pin 數需求,請與當地負責業務窗口聯繫。



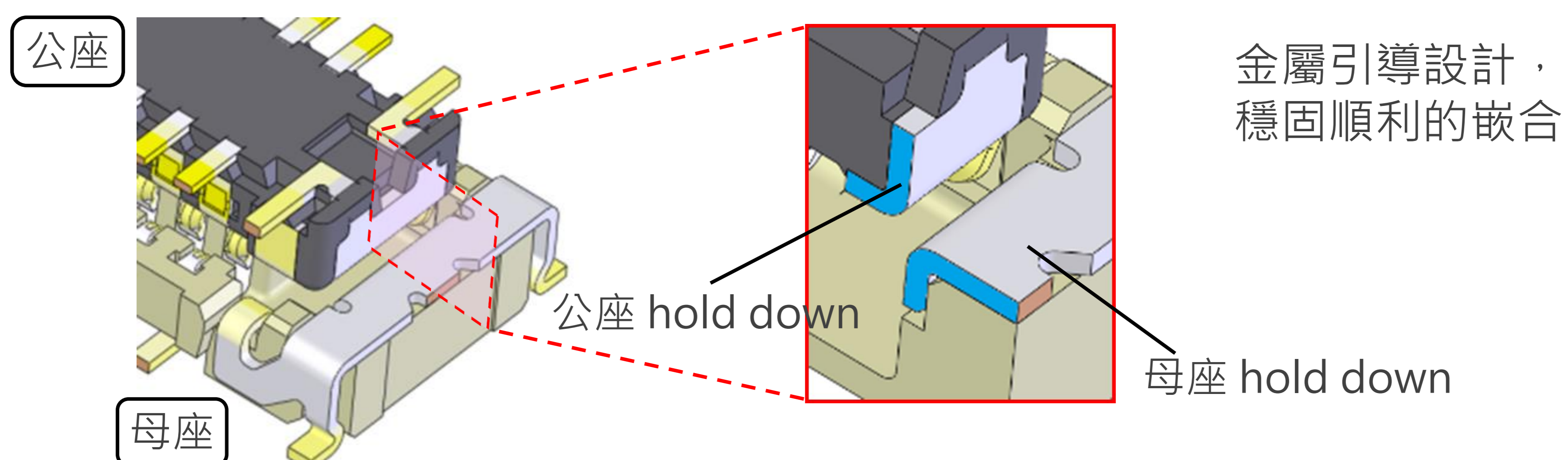
▶ 金屬 hold-down 結構可以用作 2A x 2 的電源傳輸使用



▶ 金屬引導設計,更易嵌合作業



▶ 插入型公座使結構堅固



Component Parts Details

Plug Assembly

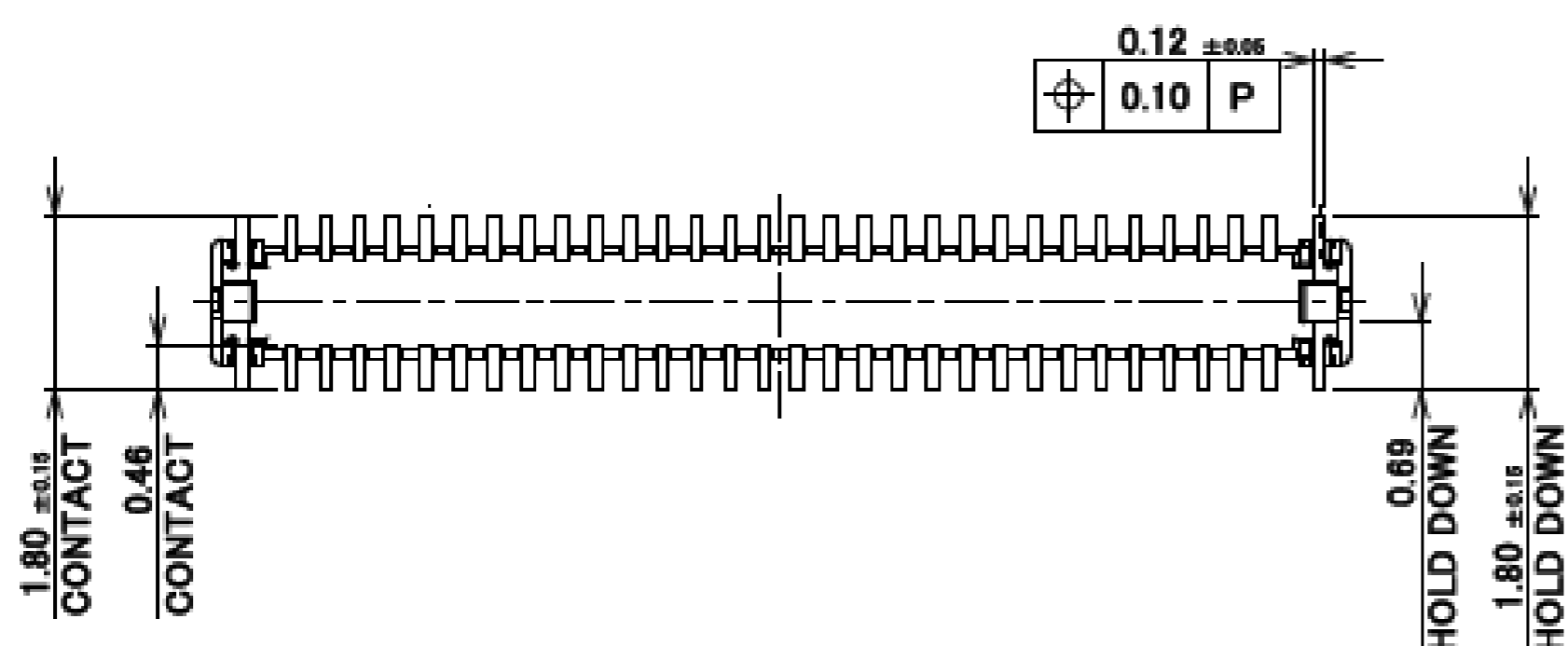
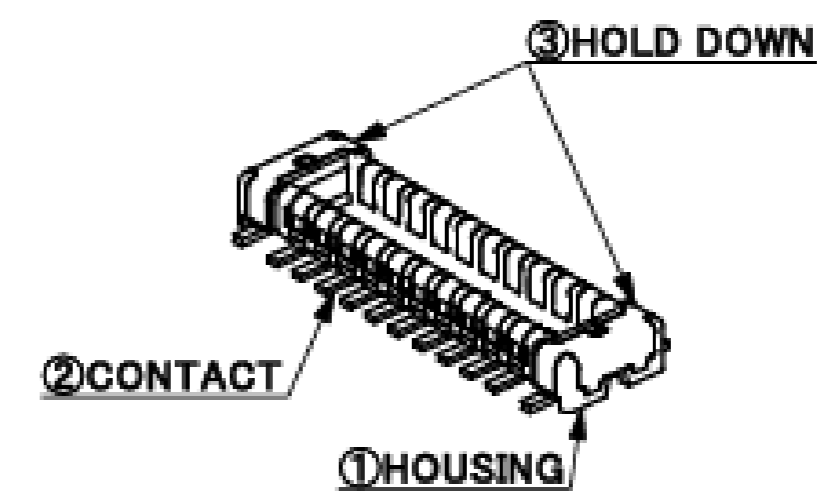
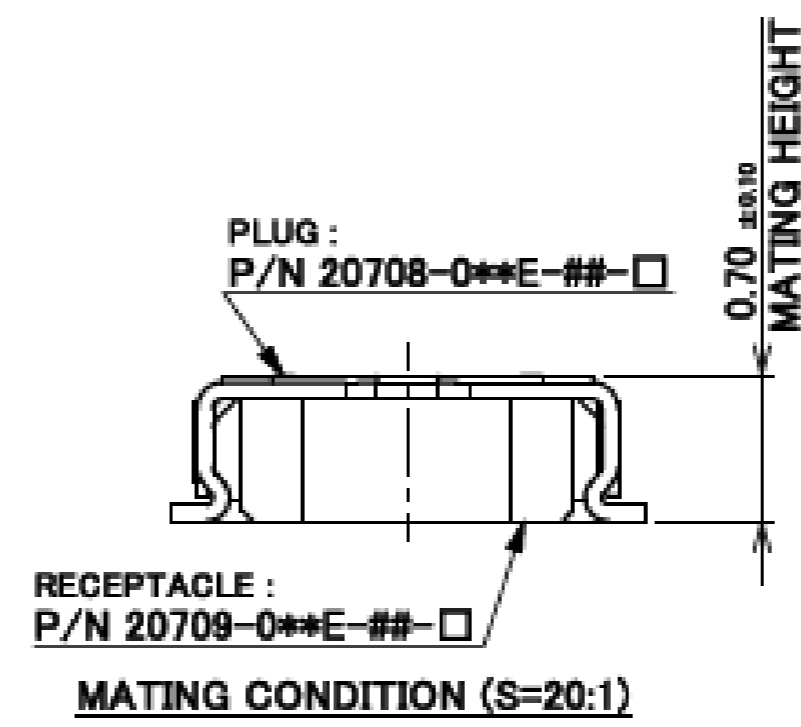
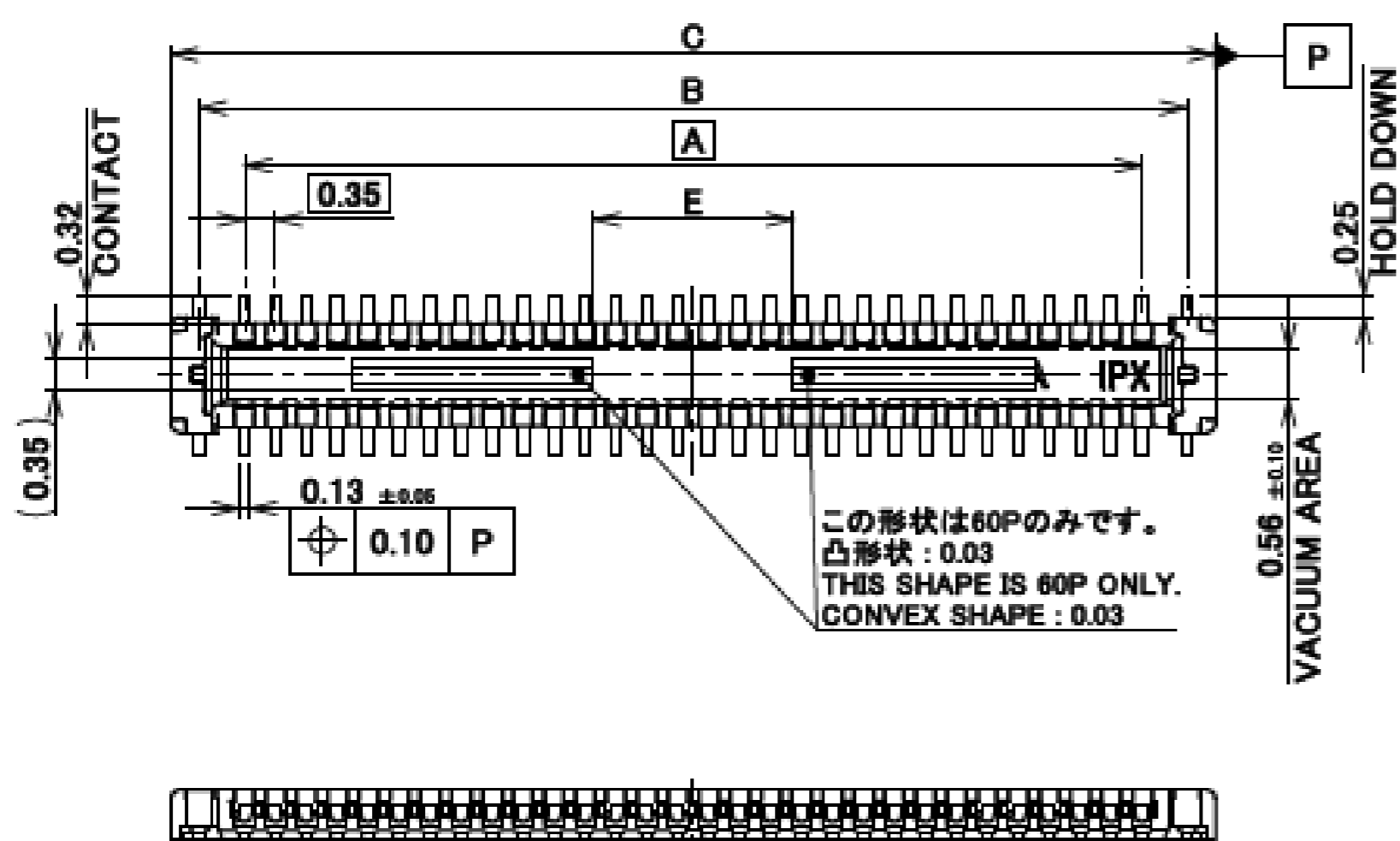
Recommended P/N 20708-0**E-01-□

PART No.	Pos.	A	B	C	D	E	PART No. 20708-0**E-##-□	CONDUCTIVITY TYPE (##)	QTY. IN REEL (□)	APPLICABLE POSITION NUMBER (**)											
20708-010E-##-□	10	1.40	2.42	3.06	3.92	-	20708-0**E	NORMAL(NONE)	20,000(NONE)	-	-	-	-	-	-	-	34	40	50	-	
20708-014E-##-□	14	2.10	3.12	3.76	4.62	-	20708-0**E-00-M	NORMAL(00)	5,000(M)	-	-	-	-	-	-	-	34	40	50	-	
20708-018E-##-□	18	2.80	3.82	4.46	5.32	-	20708-0**E-01	HIGH(01)	20,000(NONE)	10	14	18	20	24	30	34	40	50	60		
20708-020E-##-□	20	3.15	4.17	4.81	5.67	-	20708-0**E-01-M	HIGH(01)	5,000(M)	10	14	18	20	24	30	34	40	50	60		
20708-024E-##-□	24	3.85	4.87	5.51	6.37	-															
20708-030E-##-□	30	4.90	5.92	6.56	7.42	-															
20708-034E-##-□	34	5.60	6.62	7.26	8.12	-															
20708-040E-##-□	40	6.65	7.67	8.31	9.17	-															
20708-050E-##-□	50	8.40	9.42	10.06	10.92	-															
20708-060E-##-□	60	10.15	11.17	11.81	12.67	2.26															



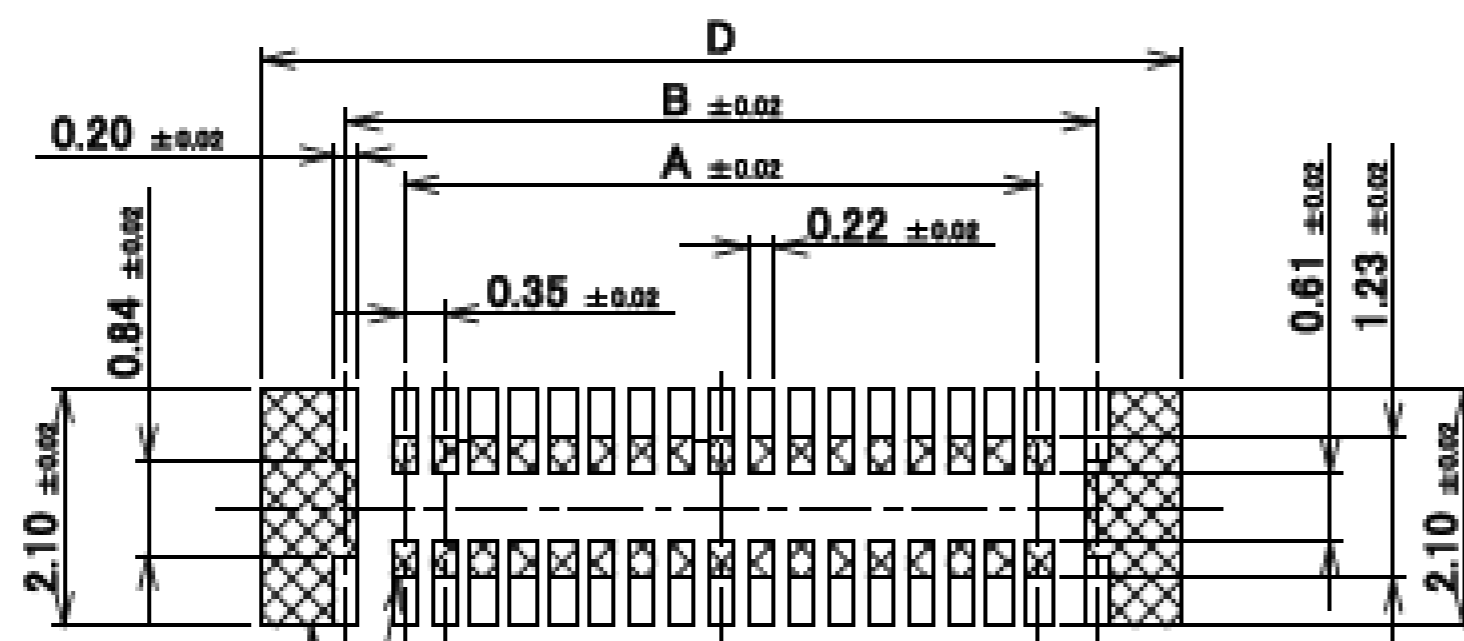
Halogen Free

RoHS Compliant



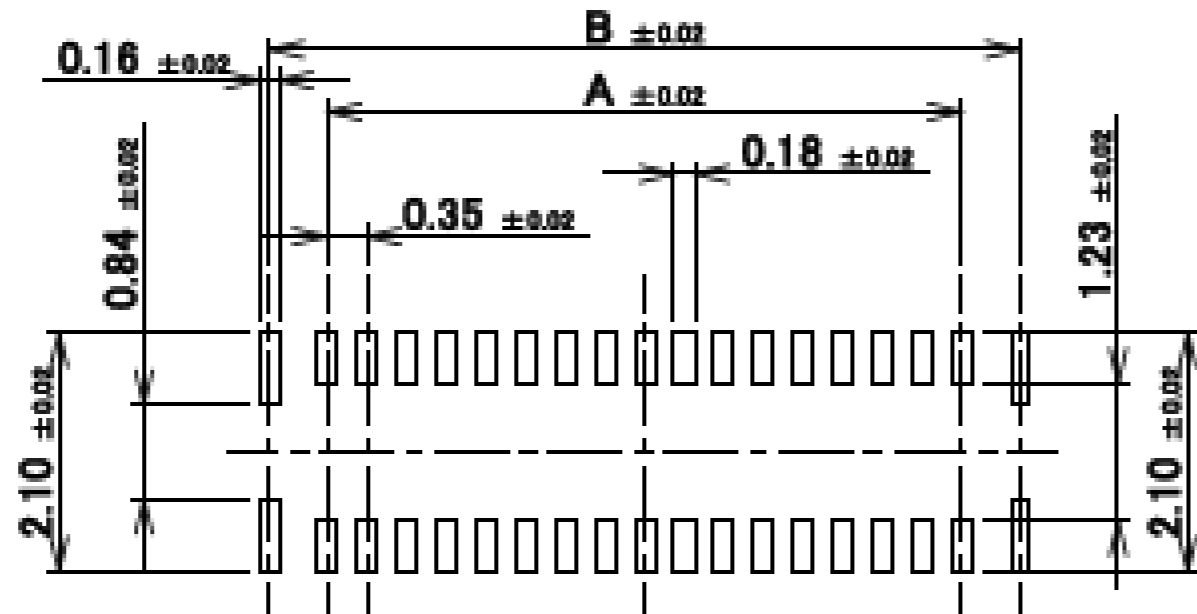
NO.	DISCRIPTION	MATERIAL	FINISH, REMARKS
3	HOLD DOWN	CORSON ALLOY	ALL OVER Ni 1.27 μm MIN. CONTACT PART Au 0.1 μm MIN. SOLDERING PART Au 0.01 μm MIN.
2	CONTACT	PHOSPHOR BRONZE P/N : 20708-0**E CORSON ALLOY P/N : 20708-0**E-00-M CORSON ALLOY P/N : 20708-0**E-01-□	ALL OVER Ni 1.27 μm MIN. CONTACT PART Au 0.1 μm MIN. SOLDERING PART Au 0.01 μm MIN.
1	HOUSING	LCP	UL94V-0, BLACK

Plug Assembly



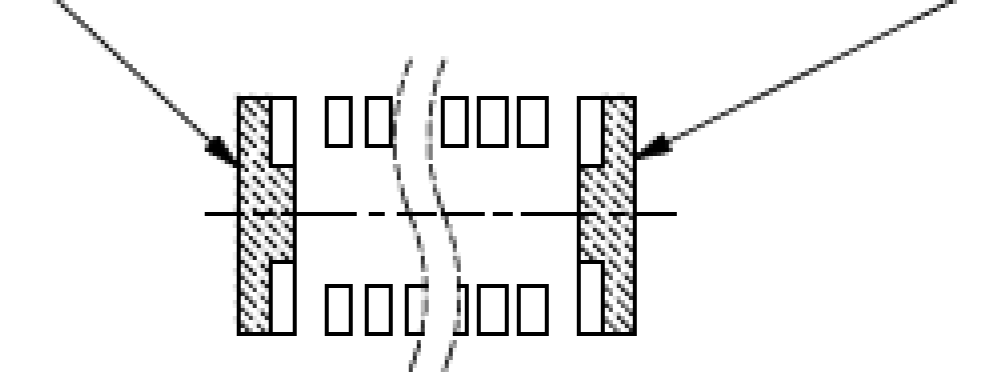
半田上がり防止の為、半田付けをしないで下さい。
 パターンを設けるときは、レジストもしくはカバーレイを設けて下さい。
 MUST BE NOT SOLDERING AREA FOR PREVENT FROM SOLDER WICKING.
 MUST BE COVER LAY OR RESIST COATING ON THE PATTERN.

RECOMMENDED PATTERN LAYOUT

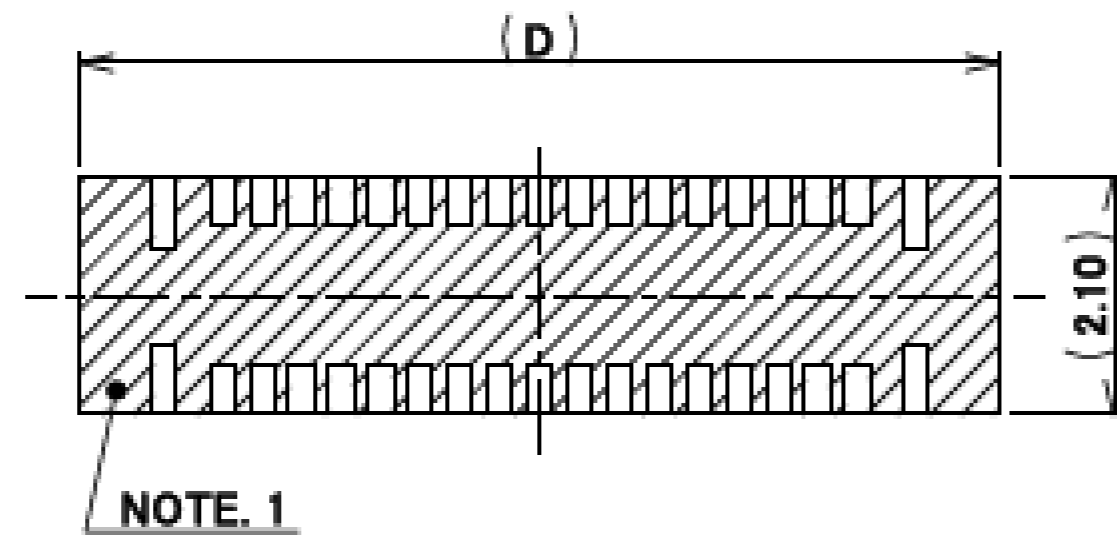


RECOMMENDED METAL MASK LAYOUT
 THICKNESS : 0.10 mm

ホールドダウンを電源用としてご使用の場合は、
 両パットを図のように繋げて下さい。
 PAD IS CONNECTED LIKE FIGURE WHEN HOLD DOWN
 IS USED FOR POWER SUPPLY.



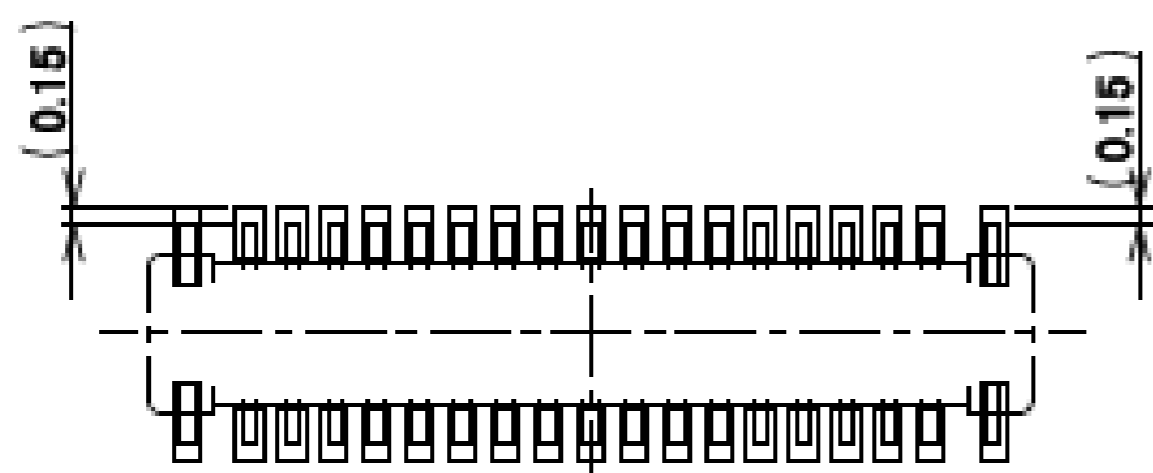
HOLD DOWN PAD LAYOUT
 USED FOR POWER SUPPLY.



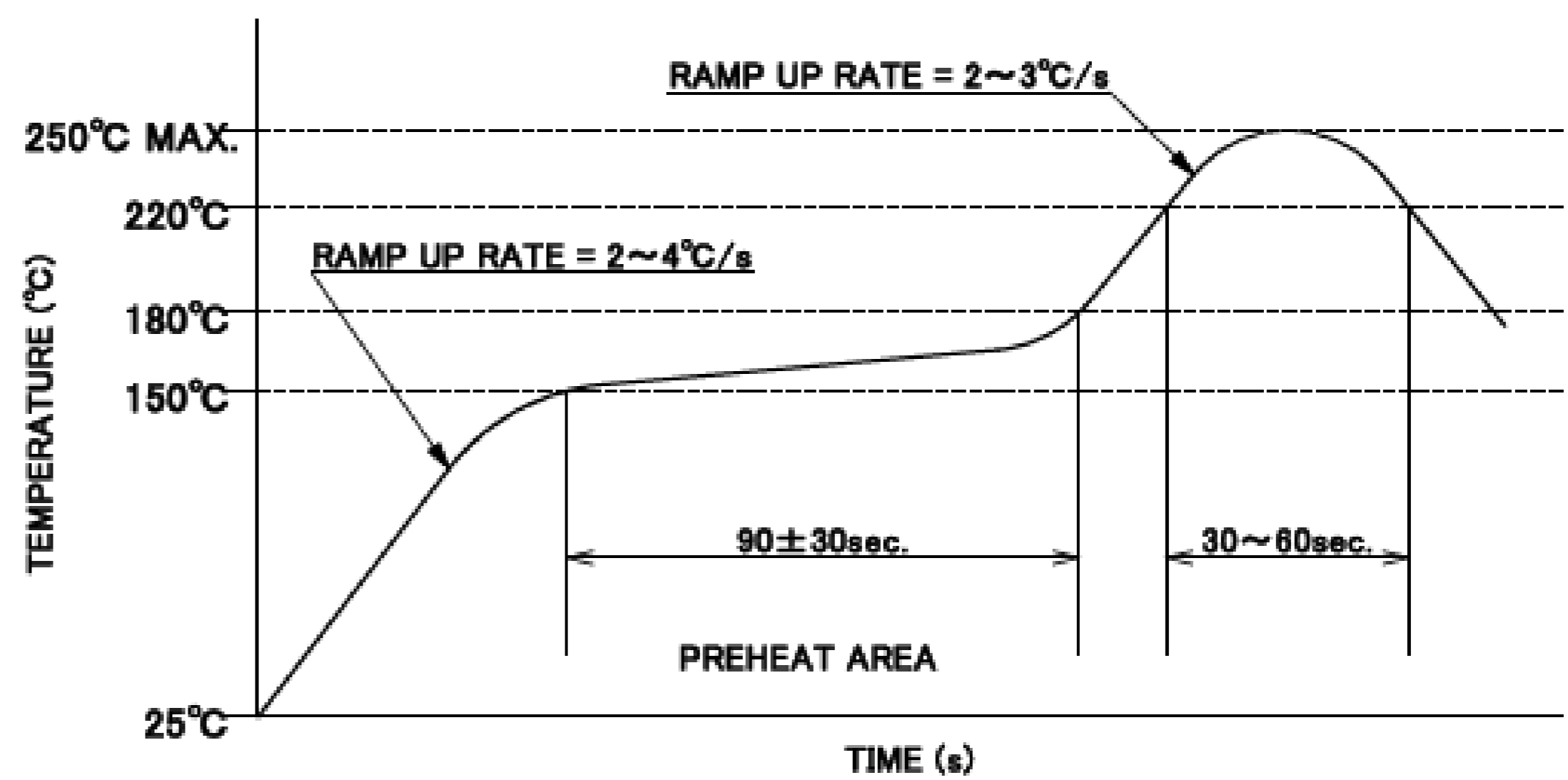
NOTE. 1

NOTES.
 1. THIS AREA CANNOT MOUNT ANOTHER COMPONENTS.

Rev.13



CONNECTOR ON RECOMMENDED FOOTPRINT PATTERN



REFLOW TEMPERATURE PROFILE
 SENJU METAL INDUSTRY CO., LTD. : M705-SHF(Sn96.5 Ag3.0 Cu0.5)

Plug Assembly

ITEMS	SPECIFICATION	
	NORMAL CONDUCTIVITY	HIGH CONDUCTIVITY
APPLICABLE CONNECTOR PART No.	20709-0**E-**-**	
RATING VOLTAGE	50V AC (r.m.s) / DC	
RATING AMPERAGE (FOR SIGNAL CONTACT)	0.3A AC/DC (PER CONTACT PIN), 12.0A AC/DC(TOTAL)	0.3A AC/DC (PER CONTACT PIN), 12.0A AC/DC(TOTAL) 1.0A AC/DC (PER CONTACT OF UP TO 8 PINS)
RATING AMPERAGE (FOR POWER CONTACT)	2.0A AC/DC (PER CONTACT PIN), 4.0A AC/DC(TOTAL)	
OPERATING TEMPERATURE	233~358K(-40°C~+85°C)	
OPERATING HUMIDITY	85% MAX.(NON-CONDENSING)	
CONTACT RESISTANCE (FOR SIGNAL CONTACT)	INITIAL : 80mohm MAX. / AFTER TEST : Δ 20mohm MAX.	INITIAL : 30mohm MAX. / AFTER TEST : Δ 20mohm MAX.
CONTACT RESISTANCE (FOR POWER CONTACT)	INITIAL : 80mohm MAX. / AFTER TEST : Δ 20mohm MAX.	INITIAL : 30mohm MAX. / AFTER TEST : Δ 20mohm MAX.
INSULATION RESISTANCE	INITIAL : 1,000Mohm MIN. / AFTER TEST : 500Mohm MIN.	
DIELECTRIC WITHSTANDING VOLTAGE	AC200V 1min	
DURABILITY	20 CYCLES	
MATING FORCE (INITIAL)	1.0 N/Pin MAX.	~28P 2.0 N/Pin MAX. 30P~ 1.0 N/Pin MAX.
UNMATING FORCE (AFTER TEST)	0.15 N/Pin MIN.	~28P 0.30 N/Pin MIN. 30P~ 0.15 N/Pin MIN.
COPLANARITY	0.08 MAX.	
PRODUCT SPECIFICATION	PRS-2101	PRS-2334
TEST REPORT	TR-15069	TR-16143
PACKING STANDARD	PST-15076 (20K/REEL) PST-17038 (5K/REEL)	
INSTRUCTION MANUAL	HIM-15014	
APPEARANCE CRITERIA No.	QLS-A***	

Rev.13

Receptacle Assembly

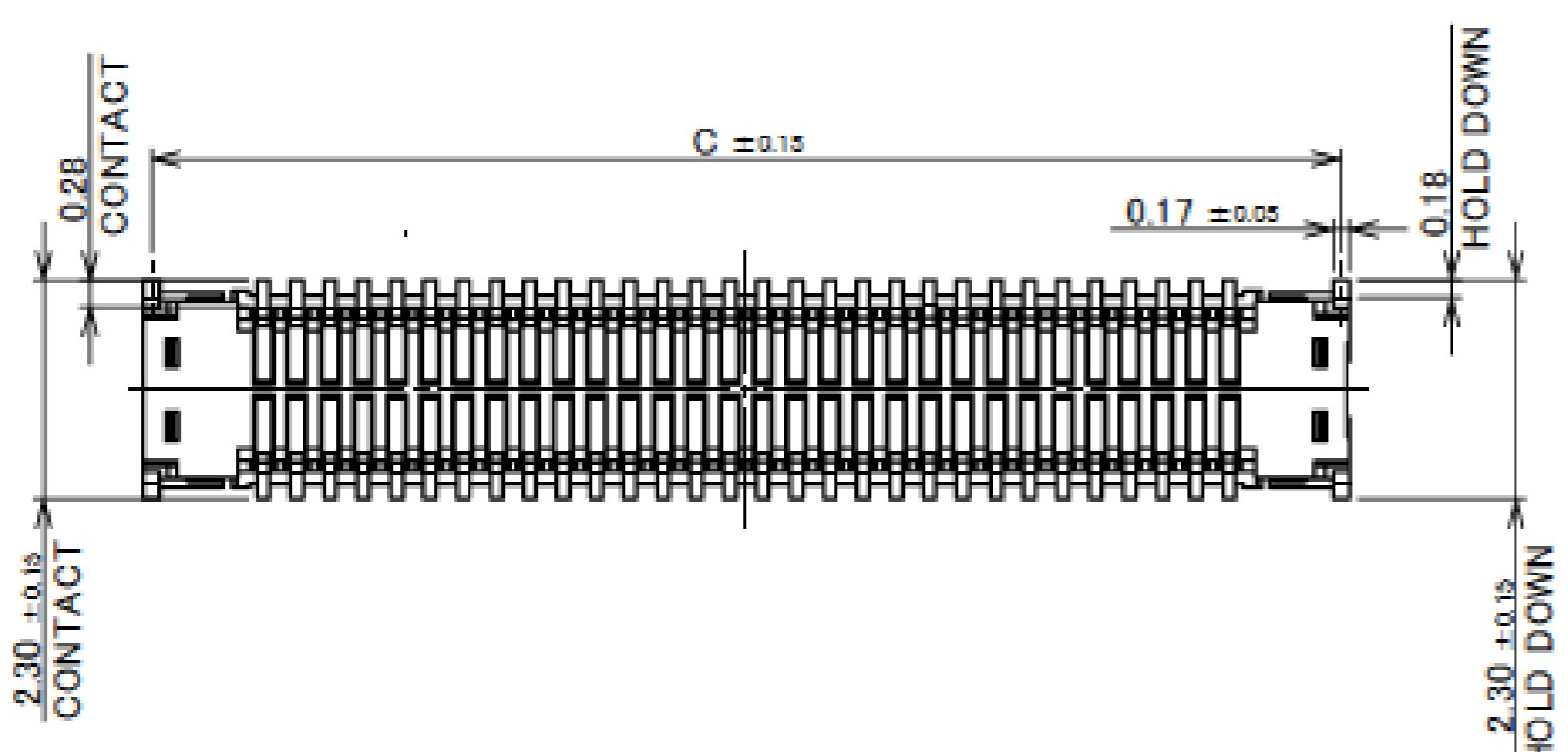
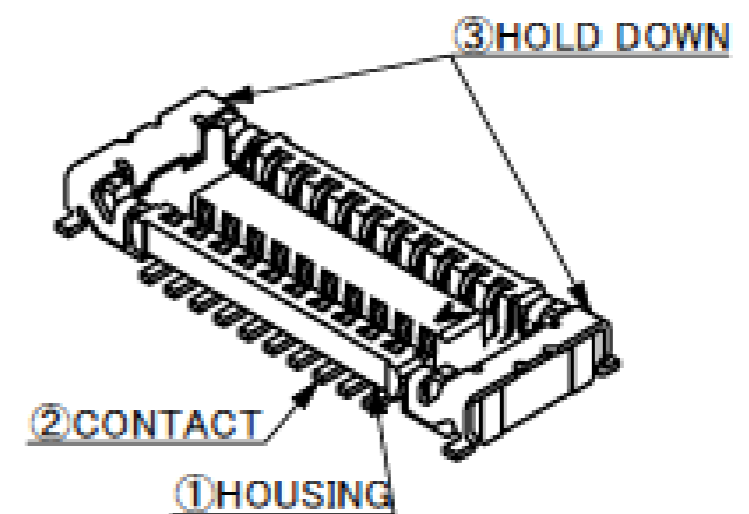
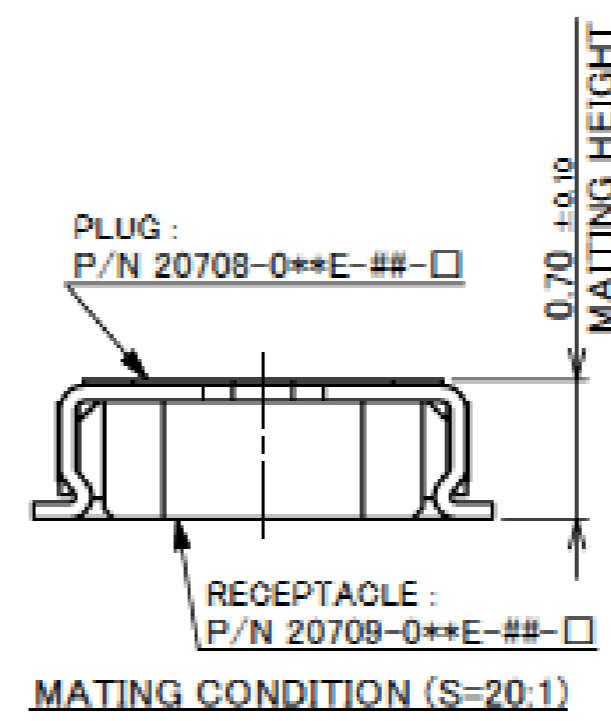
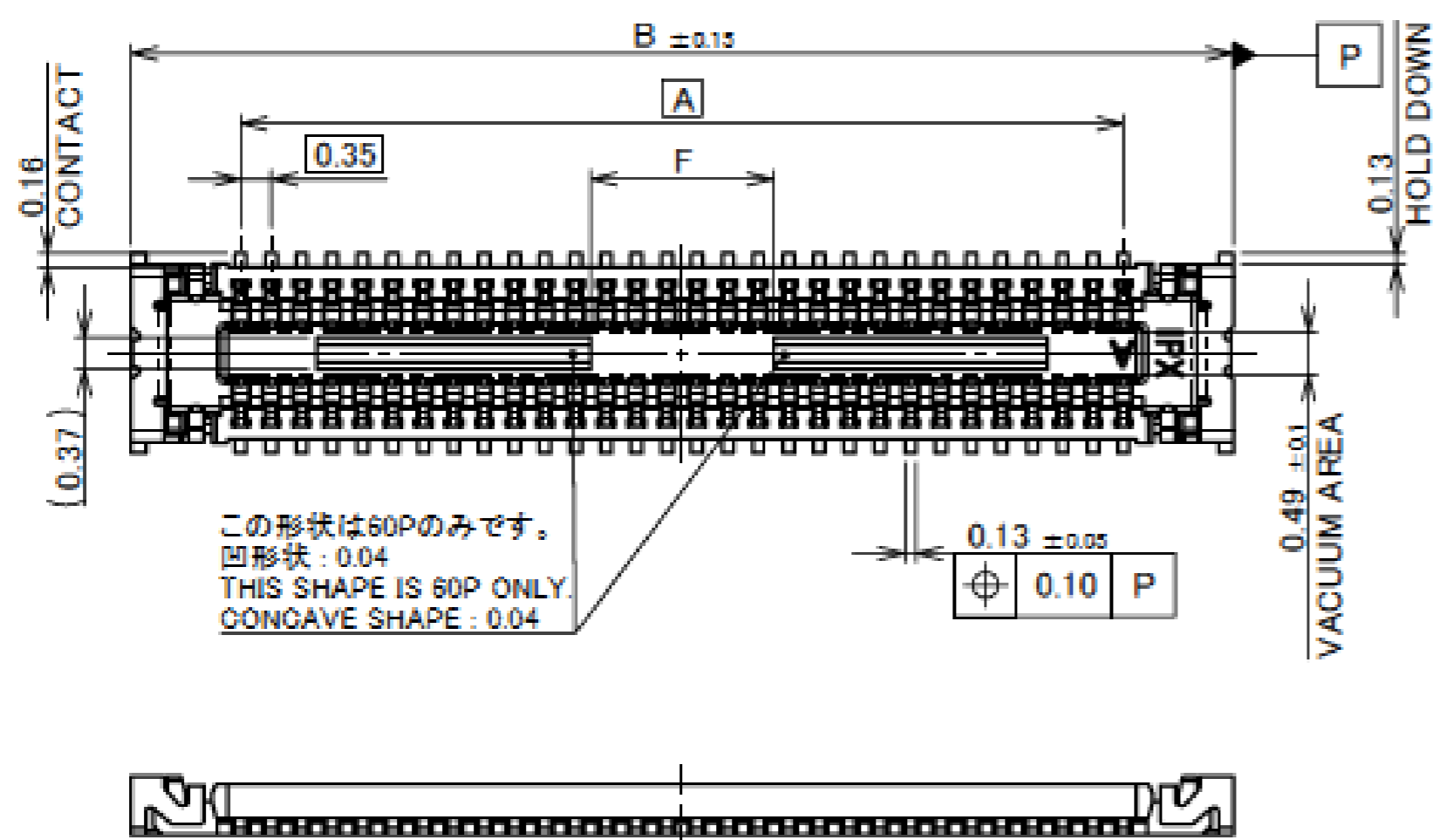
Recommended P/N 20709-0**E-01-□

PART No.	Pos	A	B	C	D	E	F	PART No. 20709-0**E-**-□	CONDUCTIVITY TYPE (##)	QTY. IN REEL (□)	APPLICABLE POSITION NUMBER (**)										
											34	40	50	-	-	-	-	-	-	-	
20709-010E-**-□	10	1.40	3.92	3.75	2.70	4.10	-	20709-0**E-00-M	NORMAL(00)	5,000(M)	-	-	-	-	-	-	-	-	-	-	-
20709-014E-**-□	14	2.10	4.62	4.45	3.40	4.80	-	20709-0**E-01	HIGH(01)	20,000(NONE)	10	14	18	20	24	30	34	40	50	60	
20709-018E-**-□	18	2.80	5.32	5.15	4.10	5.50	-	20709-0**E-01-M	HIGH(01)	5,000(M)	10	14	18	20	24	30	34	40	50	60	
20709-020E-**-□	20	3.15	5.67	5.50	4.45	5.85	-														
20709-024E-**-□	24	3.85	6.37	6.20	5.15	6.55	-														
20709-030E-**-□	30	4.90	7.42	7.25	6.20	7.60	-														
20709-034E-**-□	34	5.60	8.12	7.95	6.90	8.30	-														
20709-040E-**-□	40	6.65	9.17	9.00	7.95	9.35	-														
20709-050E-**-□	50	8.40	10.92	10.75	9.70	11.10	-														
20709-060E-**-□	60	10.15	12.67	12.50	11.45	12.85	2.10														



Halogen Free

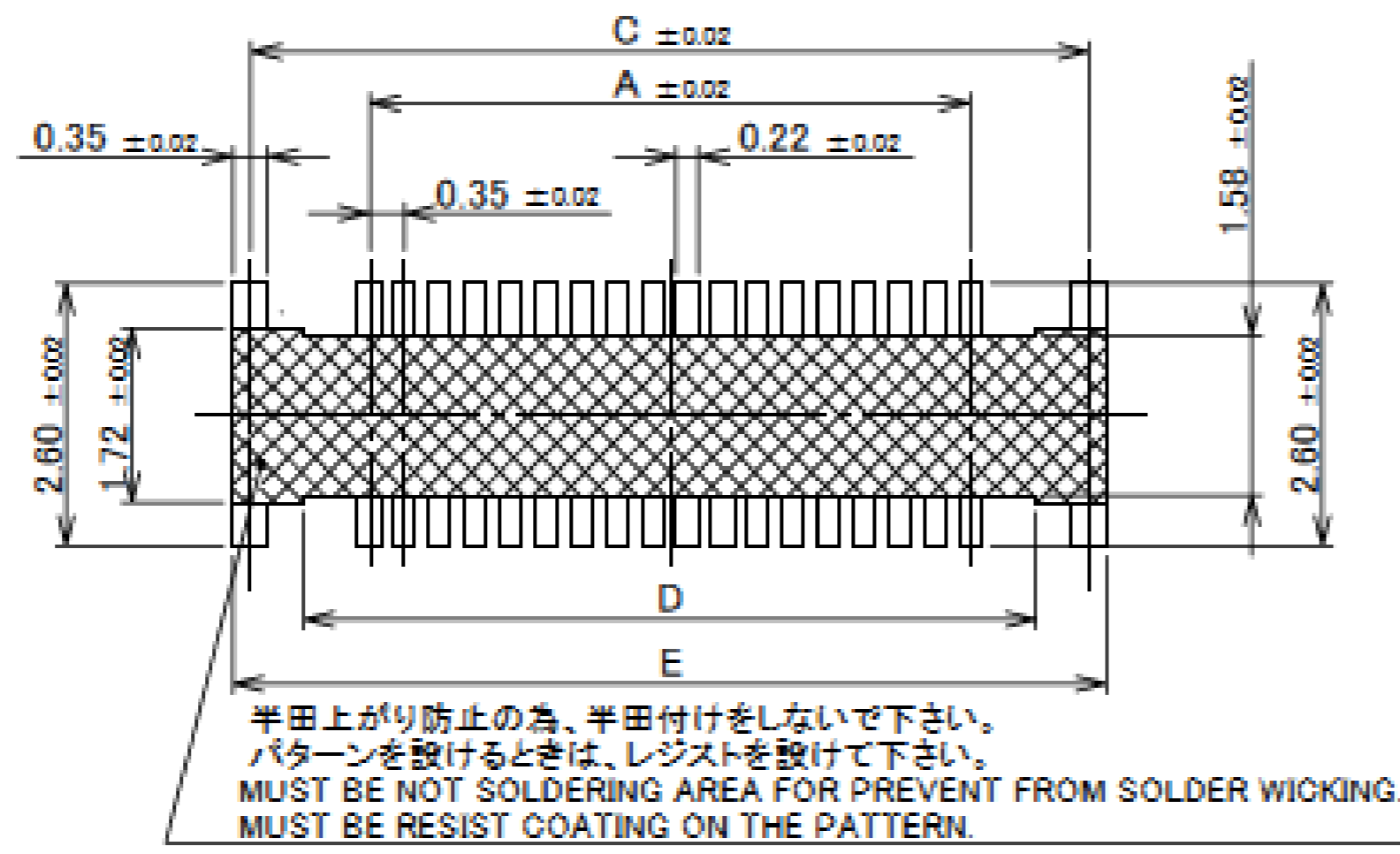
RoHS Compliant



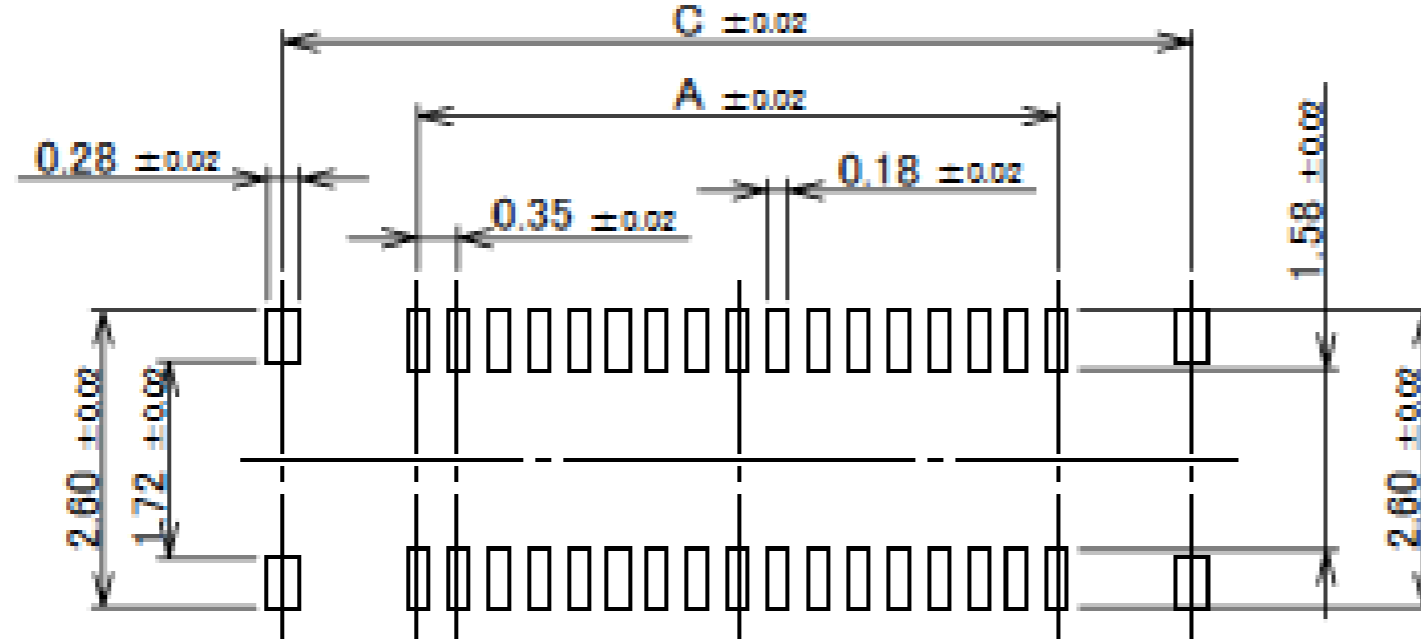
NO.	DISCRIPTION	MATERIAL	FINISH, REMARKS
3	HOLD DOWN	CORSON ALLOY	ALL OVER Ni 1.27 μm MIN. CONTACT PART Au 0.1 μm MIN./ SOLDERING PART Au 0.01 μm MIN.
2	CONTACT	PHOSPHOR BRONZE P/N : 20709-0**E P/N : 20709-0**E-00-M CORSON ALLOY P/N : 20709-0**E-01-□	ALL OVER Ni 1.27 μm MIN. CONTACT PART Au 0.1 μm MIN./ SOLDERING PART Au 0.01 μm MIN.
1	HOUSING	LCP	UL94V-0, BEIGE

Rev.15

Receptacle Assembly

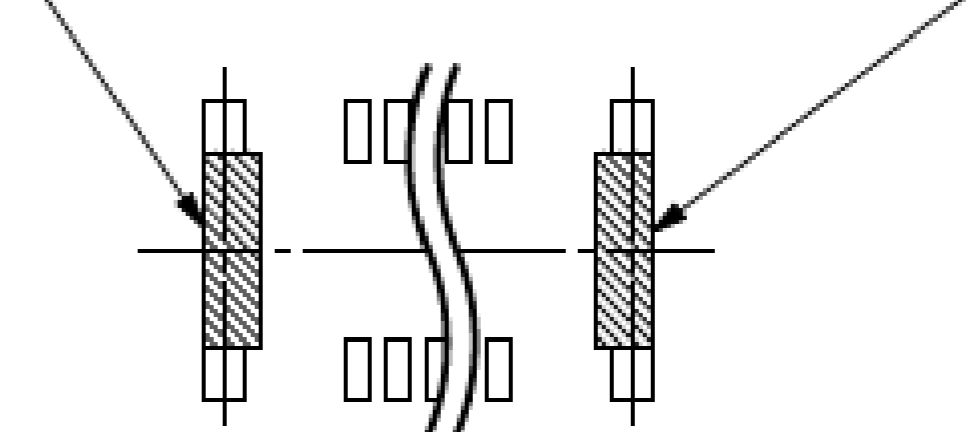


RECOMMENDED PATTERN LAYOUT

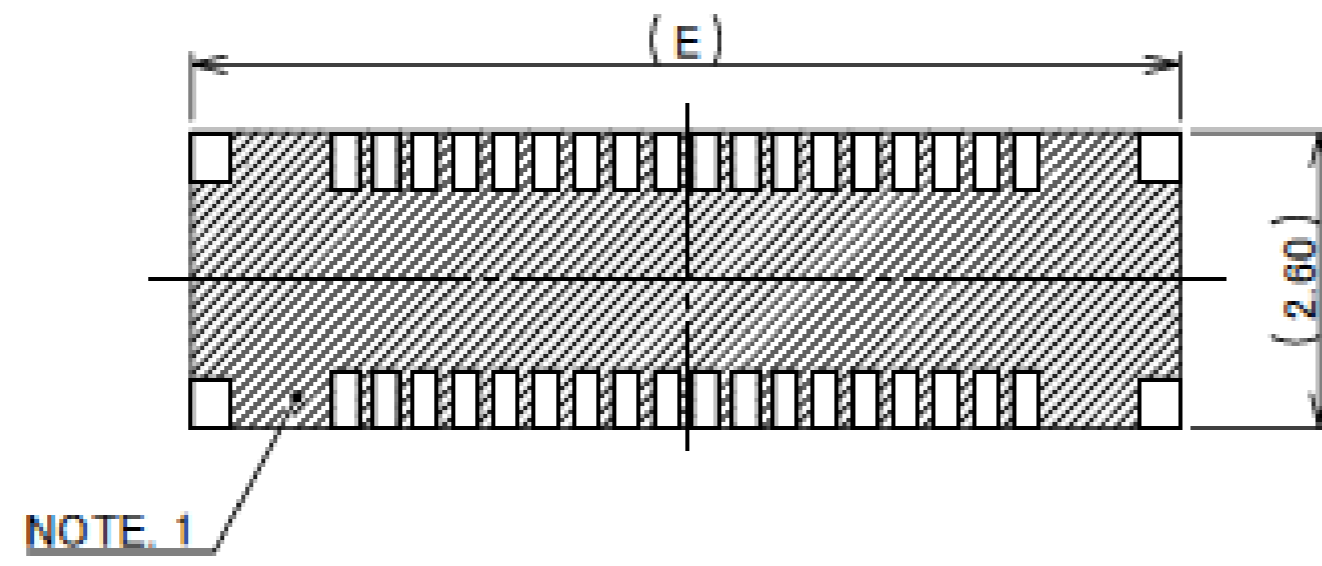


RECOMMENDED METAL MASK LAYOUT
THICKNESS : 0.10 mm

ホールドダウンを電源用としてご使用の場合は、
両パットを図のように繋げて下さい。
PAD IS CONNECTED LIKE FIGURE WHEN HOLD DOWN
IS USED FOR POWER SUPPLY.

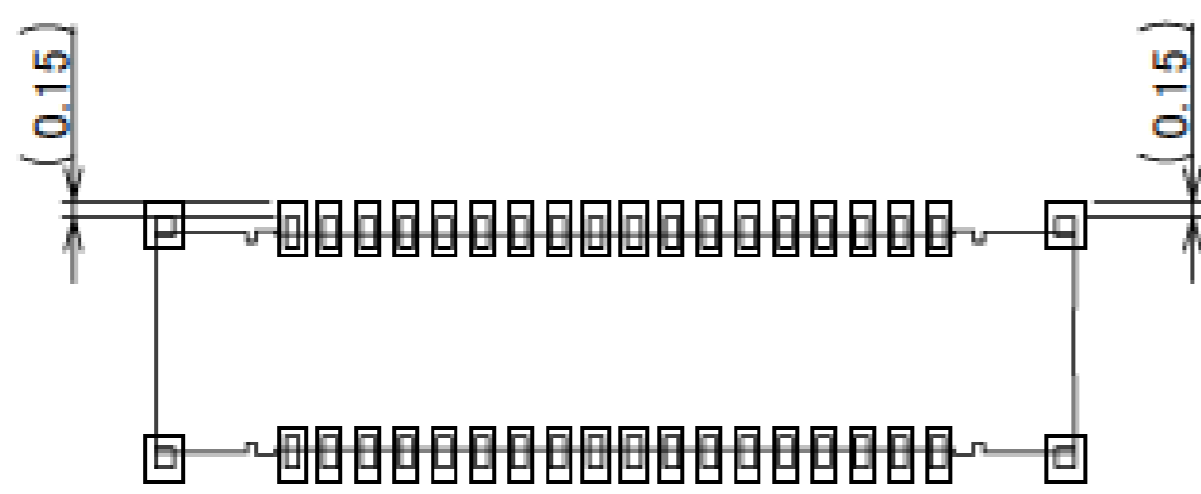


HOLD DOWN PAD LAYOUT
USED FOR POWER SUPPLY

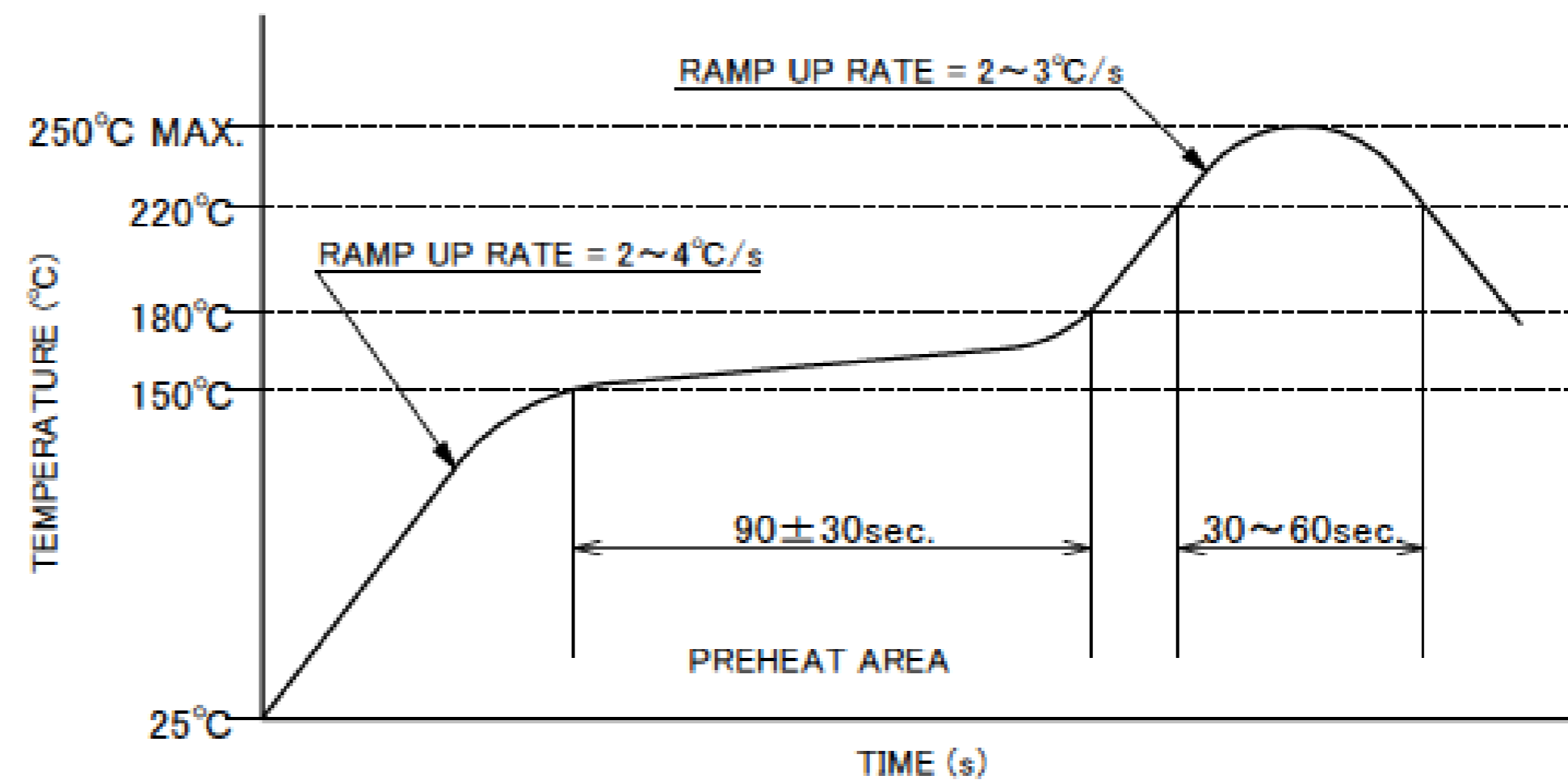


NOTES.
1. THIS AREA CANNOT MOUNT ANOTHER COMPONENTS.

Rev.15



CONNECTOR ON RECOMMENDED FOOTPRINT PATTERN



REFLOW TEMPERATURE PROFILE
SENJU METAL INDUSTRY CO., LTD. : M705-SHF(Sn96.5 Ag3.0 Cu0.5)

Receptacle Assembly

ITEMS	SPECIFICATION	
	NORMAL CONDUCTIVITY	HIGH CONDUCTIVITY
APPLICABLE CONNECTOR PART No.	20708-0***E-**	
RATING VOLTAGE	50V AC (r.m.s) / DC	
RATING AMPERAGE (FOR SIGNAL CONTACT)	0.3A AC/DC (PER CONTACT PIN), 12.0A AC/DC(TOTAL)	0.3A AC/DC (PER CONTACT PIN), 12.0A AC/DC(TOTAL) 1.0A AC/DC (PER CONTACT OF UP TO 8 PINS)
RATING AMPERAGE (FOR POWER CONTACT)	2.0A AC/DC (PER CONTACT PIN), 4.0A AC/DC(TOTAL)	
OPERATING TEMPERATURE	233~358K(-40°C~+85°C)	
OPERATING HUMIDITY	85% MAX.(NON-CONDENSING)	
CONTACT RESISTANCE (FOR SIGNAL CONTACT)	INITIAL : 80mohm MAX. / AFTER TEST : Δ 20mohm MAX.	INITIAL : 30mohm MAX. / AFTER TEST : Δ 20mohm MAX.
CONTACT RESISTANCE (FOR POWER CONTACT)	INITIAL : 80mohm MAX. / AFTER TEST : Δ 20mohm MAX.	INITIAL : 30mohm MAX. / AFTER TEST : Δ 20mohm MAX.
INSULATION RESISTANCE	INITIAL : 1,000Mohm MIN. / AFTER TEST : 500Mohm MIN.	
DIELECTRIC WITHSTANDING VOLTAGE	AC200V 1min	
DURABILITY	20 CYCLES	
MATING FORCE (INITIAL)	1.0 N/Pin MAX.	~28P 2.0 N/Pin MAX. 30P~ 1.0 N/Pin MAX.
UNMATING FORCE (AFTER TEST)	0.15 N/Pin MIN.	~28P 0.30 N/Pin MIN. 30P~ 0.15 N/Pin MIN.
COPLANARITY	0.08 MAX.	
PRODUCT SPECIFICATION	PRS-2101	PRS-2334
TEST REPORT	TR-15069	TR-16143
PACKING STANDARD	PST-15077 (20K/REEL) PST-17039 (5K/REEL)	
INSTRUCTION MANUAL	HIM-15014	
APPEARANCE CRITERIA No.	QLS-A***	

Rev.15

Custom Connectors Available

 RF Connector

MHF® series



Micro-coaxial/Twinax/
Discrete Wire Connector



CABLINE® series



Optical Module

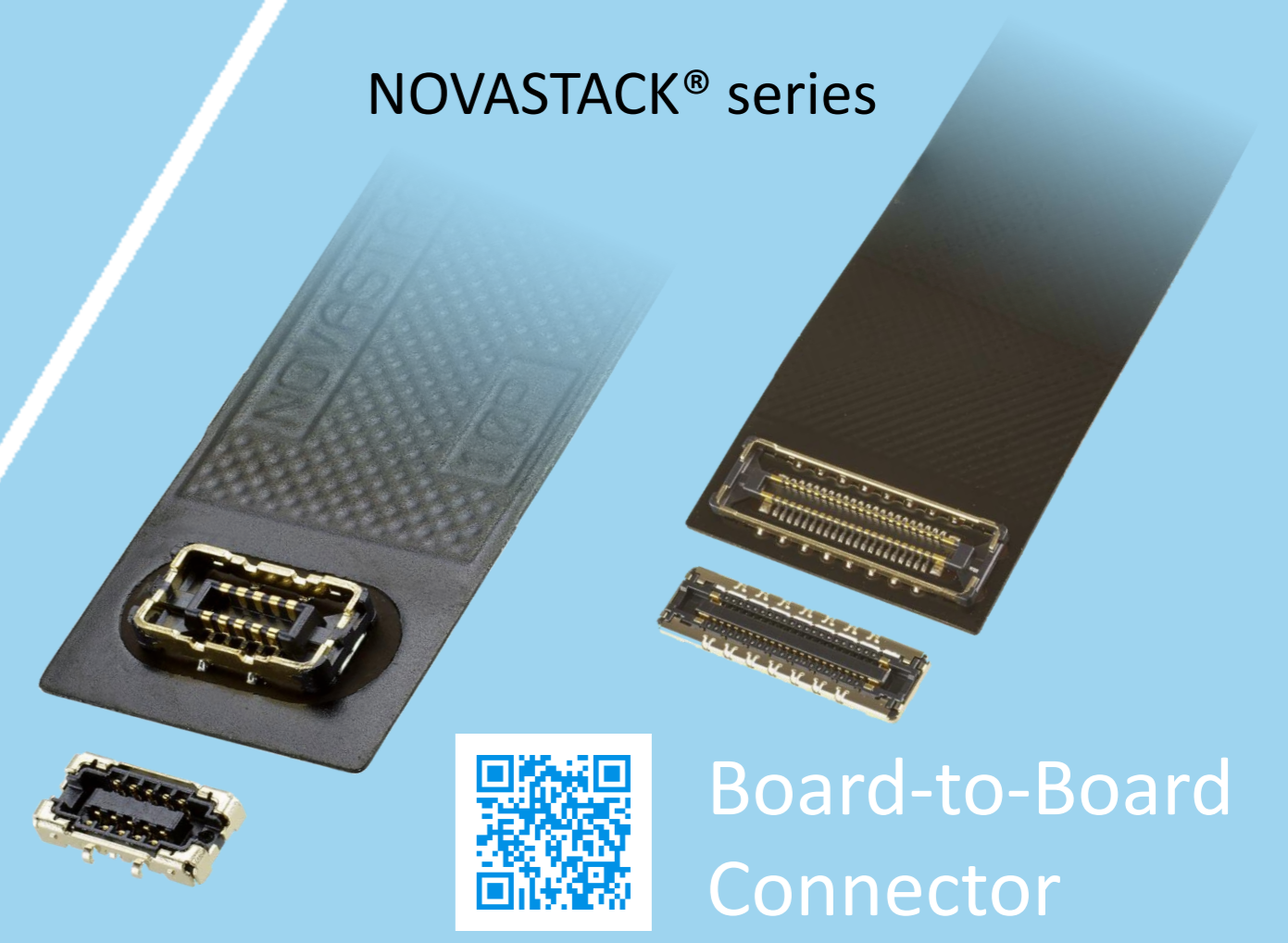
LIGHTPASS® series



NOVASTACK® series



Board-to-Board Connector



Power Connector/
Terminal

AP series

ISH® series



MINIFLEX® series

EVAFLEX® series



FPC FFC Connector



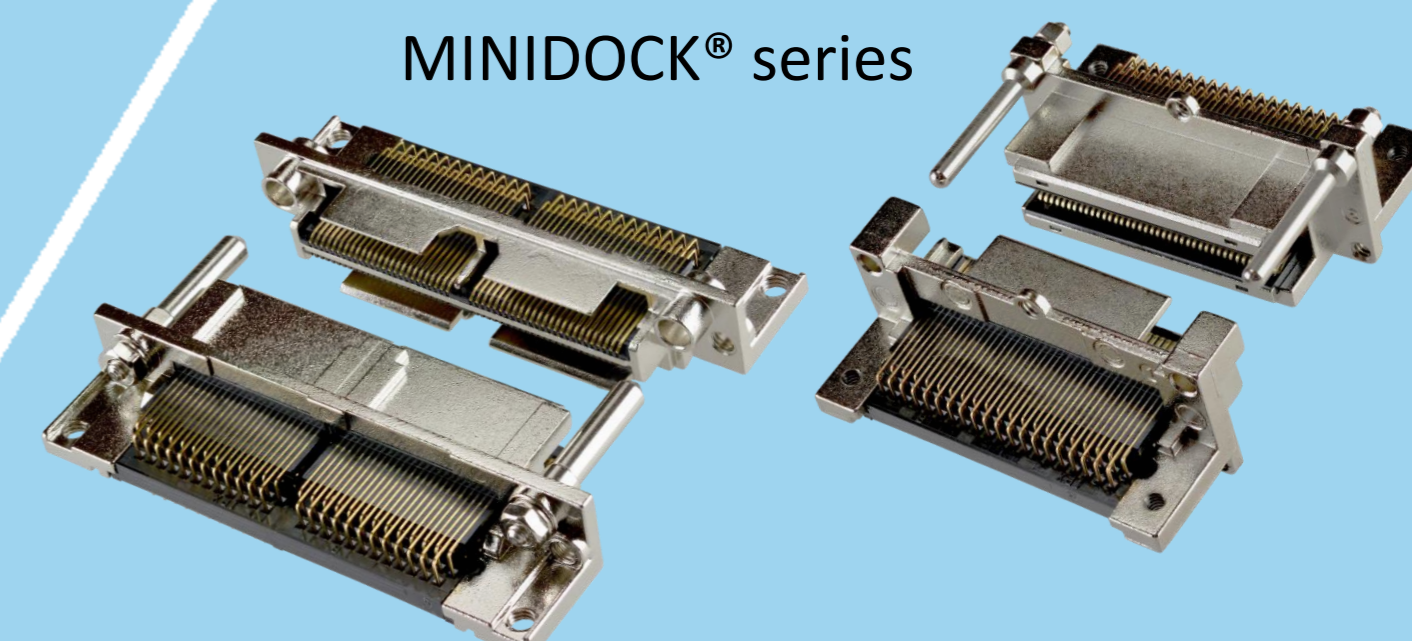
Inquiry



MINIDOCK® series



I/O Connector



I-PEX, MHF, CABLINE, LIGHTPASS, NOVASTACK, ISH, IARPB, MINIFLEX, EVAFLEX, MINIDOCKS and ZenShield are registered trademarks of I-PEX Inc. Please note that the contents in the catalog might be changed without prior notification. I-PEX Inc. assumes no responsibility for any inaccuracies or obligation to update information on these documents. Please be sure to read and understand the latest "Precautions for Use" and "Instruction Manual" before you use our products. We shall not be responsible for any defects, damages or troubles in case you use our products without following the precautions for use. Please feel free to contact our sales representatives when you use our products for any applications that require very high reliability and safety, or that relate to human life (ex. nuclear power control, aerospace, transportation, medical equipment, safety equipment etc.).

Contact your sales representative or more detailed information.

www.i-pex.com



I-PEX

© I-PEX Inc. 2024
All rights reserved