

NOVASTACK® 35-PH

嵌合高さ 1.5 mm、有効嵌合長が長い高背デザイン、電源端子付き、0.35 mm ピッチ、垂直嵌合

Product Specifications:

Board Pitch (mm)		0.35
Wiping Length (mm)		0.32
Mated Size (mm)	Height	1.5 +/- 0.06
	Width	Formula: 2.65 + (0.35 * ?p/2)
	Depth	2.8
Current Rating	Signal	0.3 A/pin
	Power	3.0 A/pin x 2
Pin Counts	Range	10 - 50 (signal) + 2 (power)
	Available	10,30,40,50 /+ 2

*記載のない極数の対応状況についてはお問い合わせください。



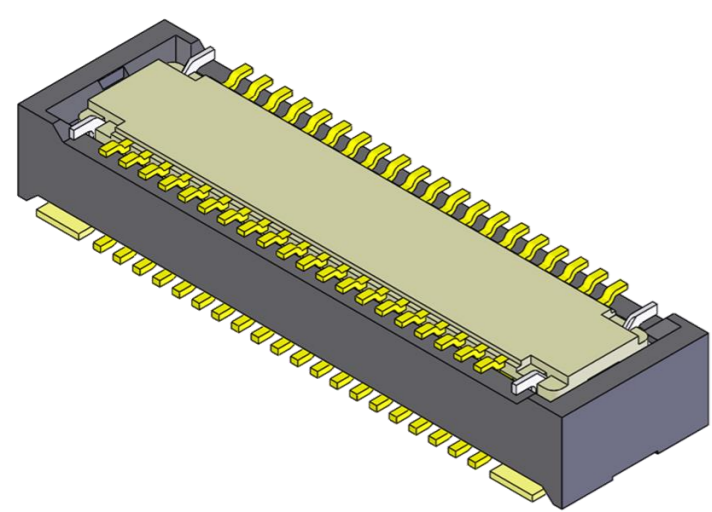
▶ 嵌合高さ 1.5 mm 専用設計により高い保持力と明瞭なクリック感を実現

NOVASTACK 35-PH

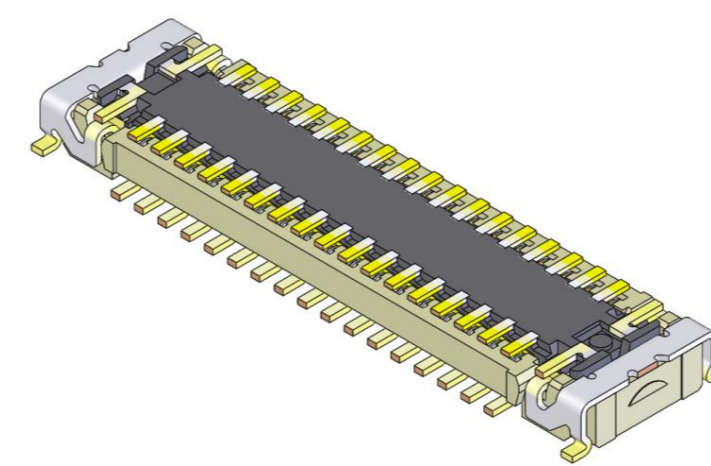
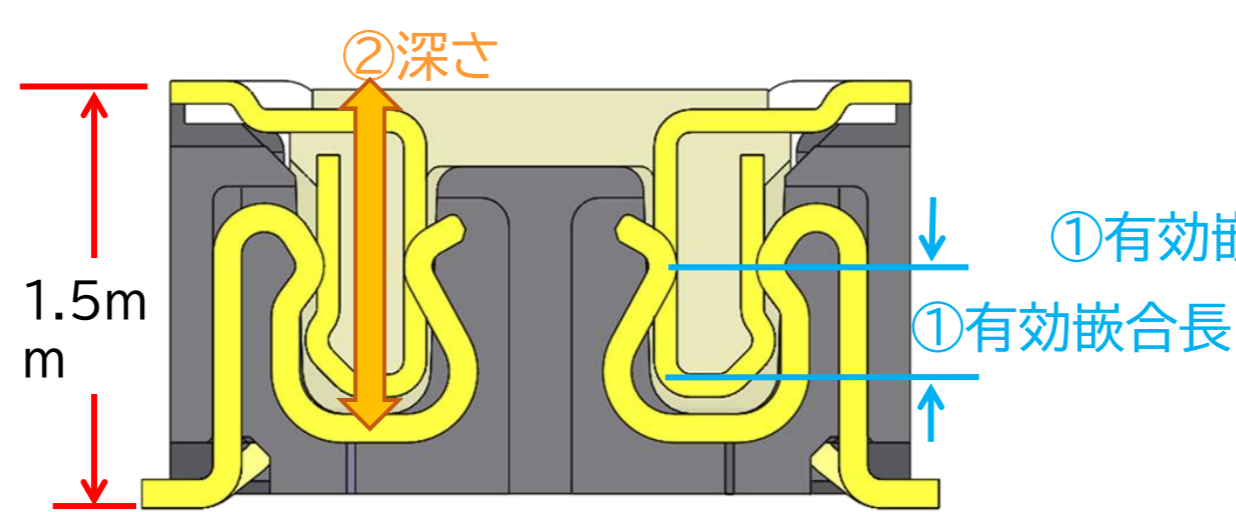
0.35mmピッチ, 高さ1.5mm

高性能デザイン基板対基板コネクタ

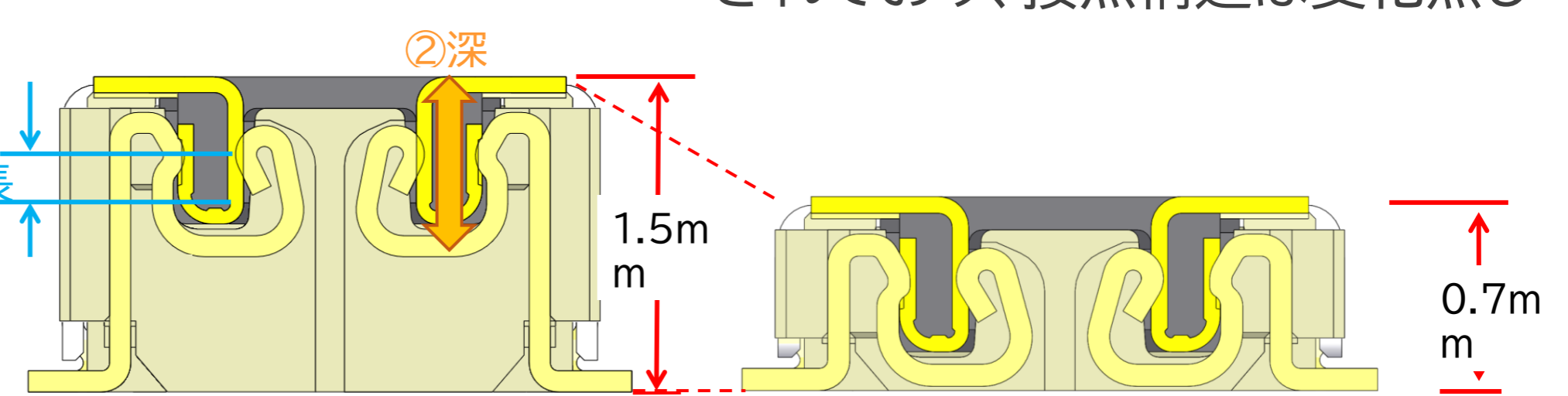
例: 一般的な高さ=1.5mm 0.35mmピッチ 基板対基板コネクタ



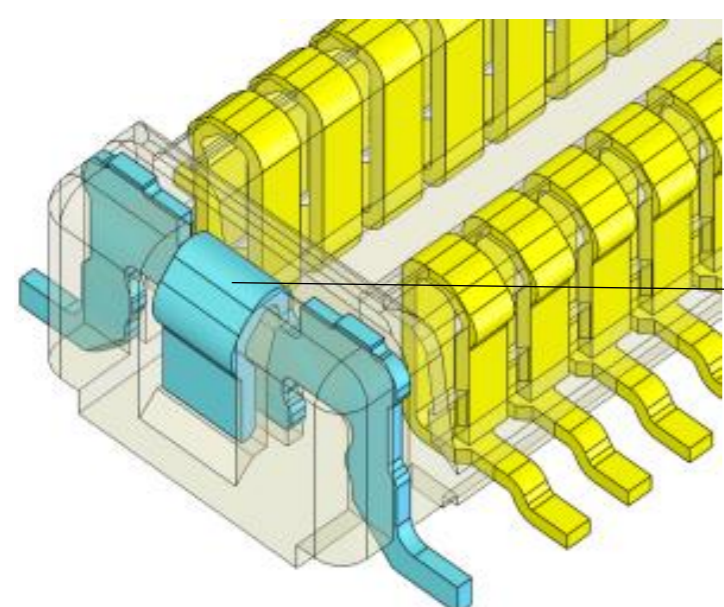
- ①有効嵌合が長く取れる
- ②深く嵌合される為、嵌合の傾きに対して強くなる



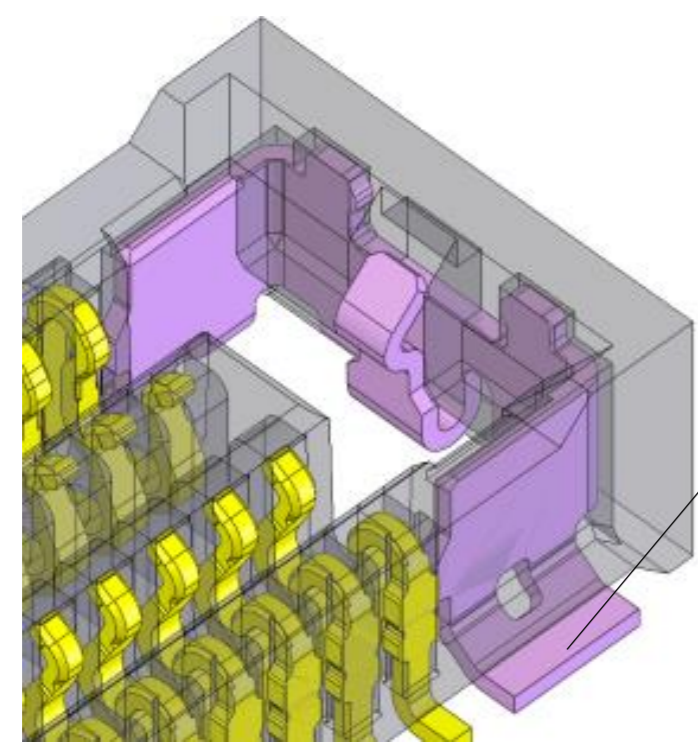
0.7mm高さの製品をベースに設計されており、接点構造は変化無し



▶ メタルホールドダウンによる強度アップと半嵌合を防止

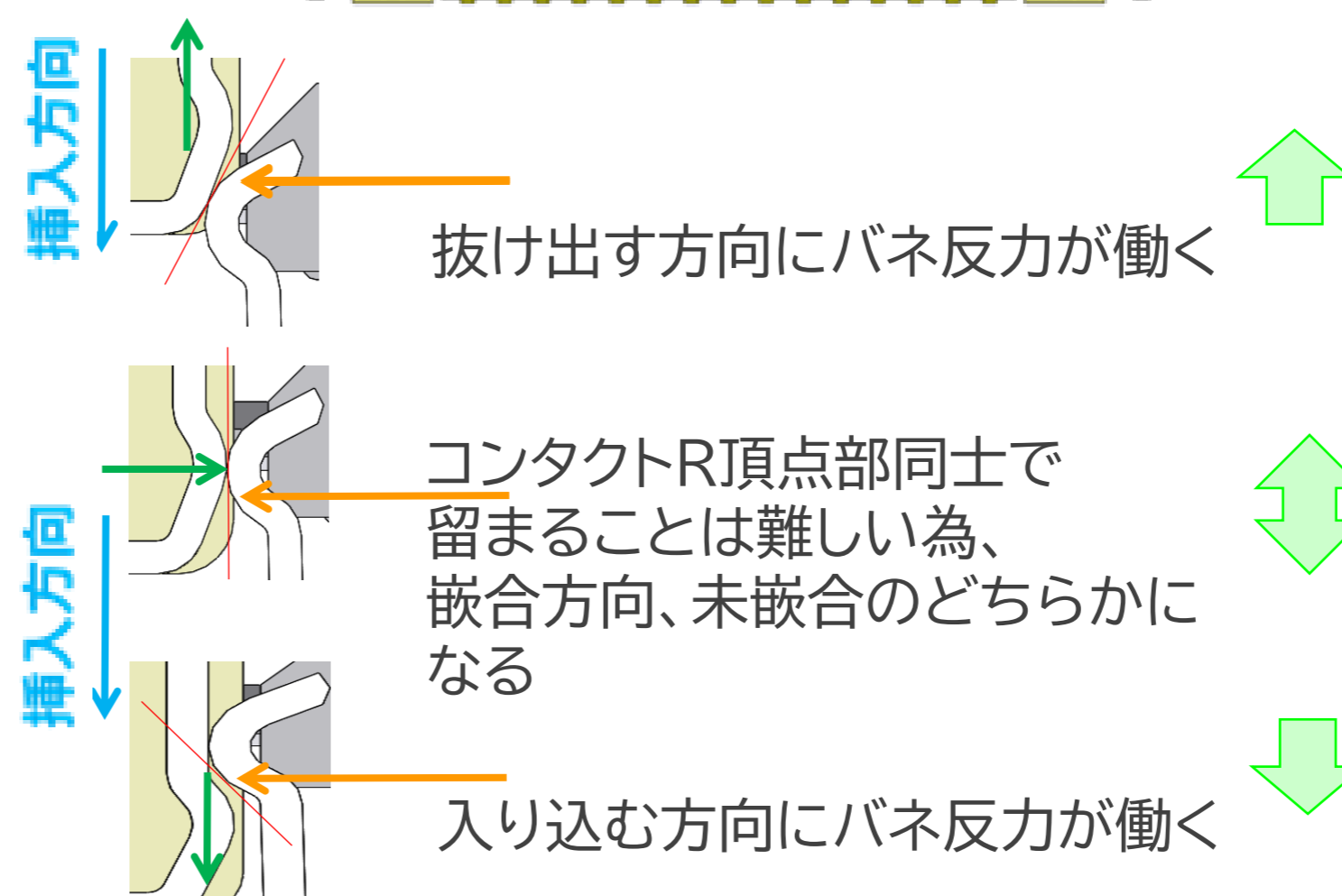
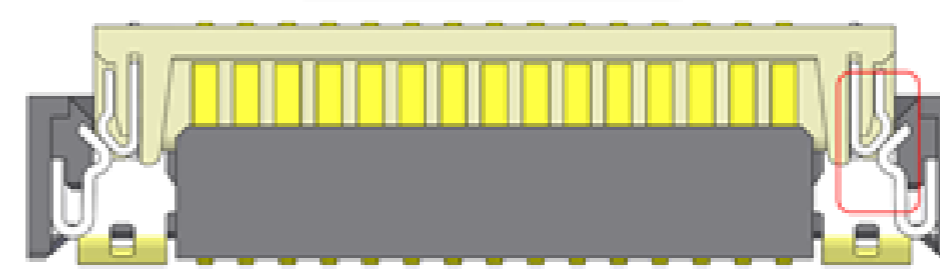


プラグ 金属補強
(ホールドダウン)



レセプタクル
金属補強
(ホールドダウン)

通常嵌合



▶ コネクタ底部の配線スペース確保と嵌合状態を目視確認可能

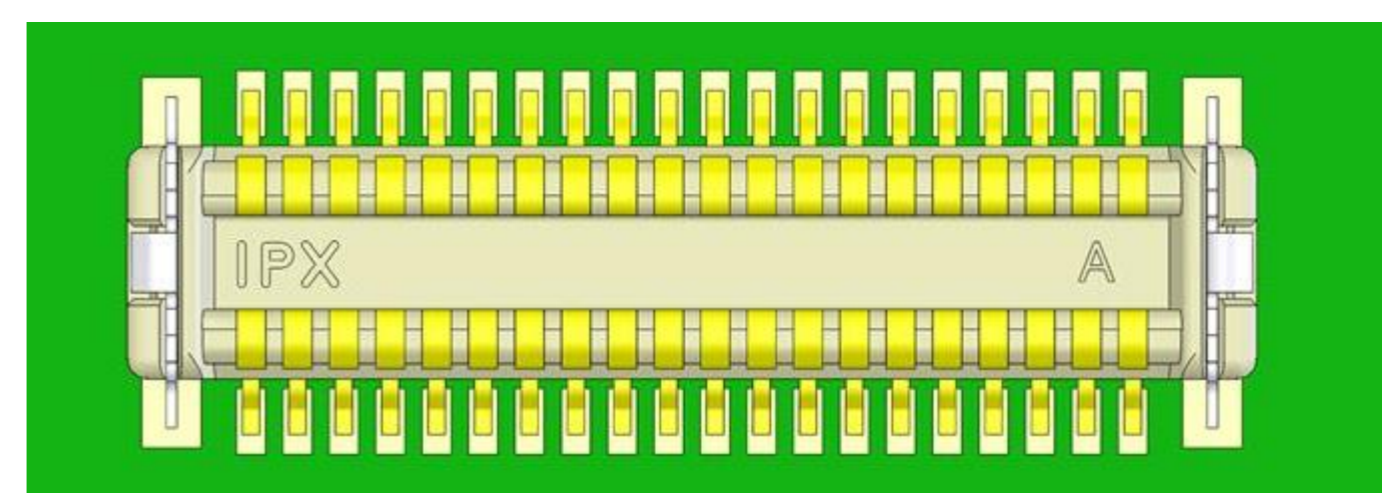
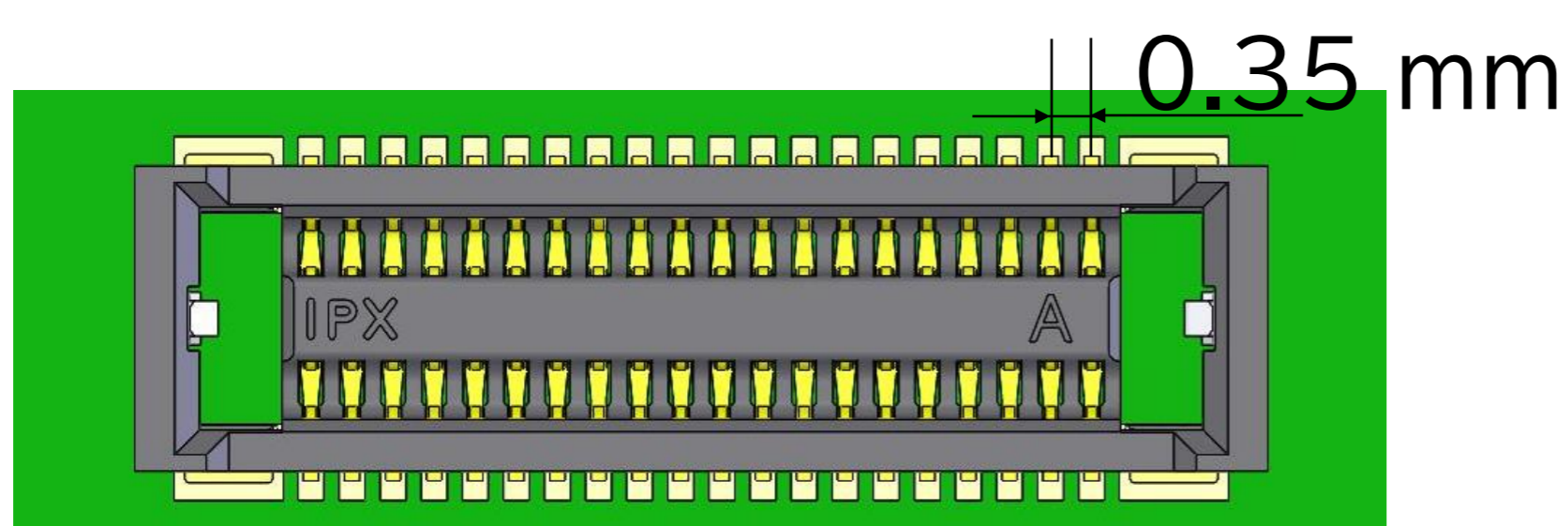
レセプタクル

極数	10	30	40	50
I-PEX	4.40	7.90	9.65	11.40
競合製品	4.60	8.60	10.60	12.60
Decreasing Rate	4.3%	8.1%	9.0%	10%

プラグ

(Unit: mm²)

極数	10	30	40	50
I-PEX	3.27	6.77	8.52	10.27
競合製品	3.52	7.52	9.52	11.52
Decreasing Rate	7.1%	10%	10.5%	10.9%



Component Parts Detail

Plug Assembly

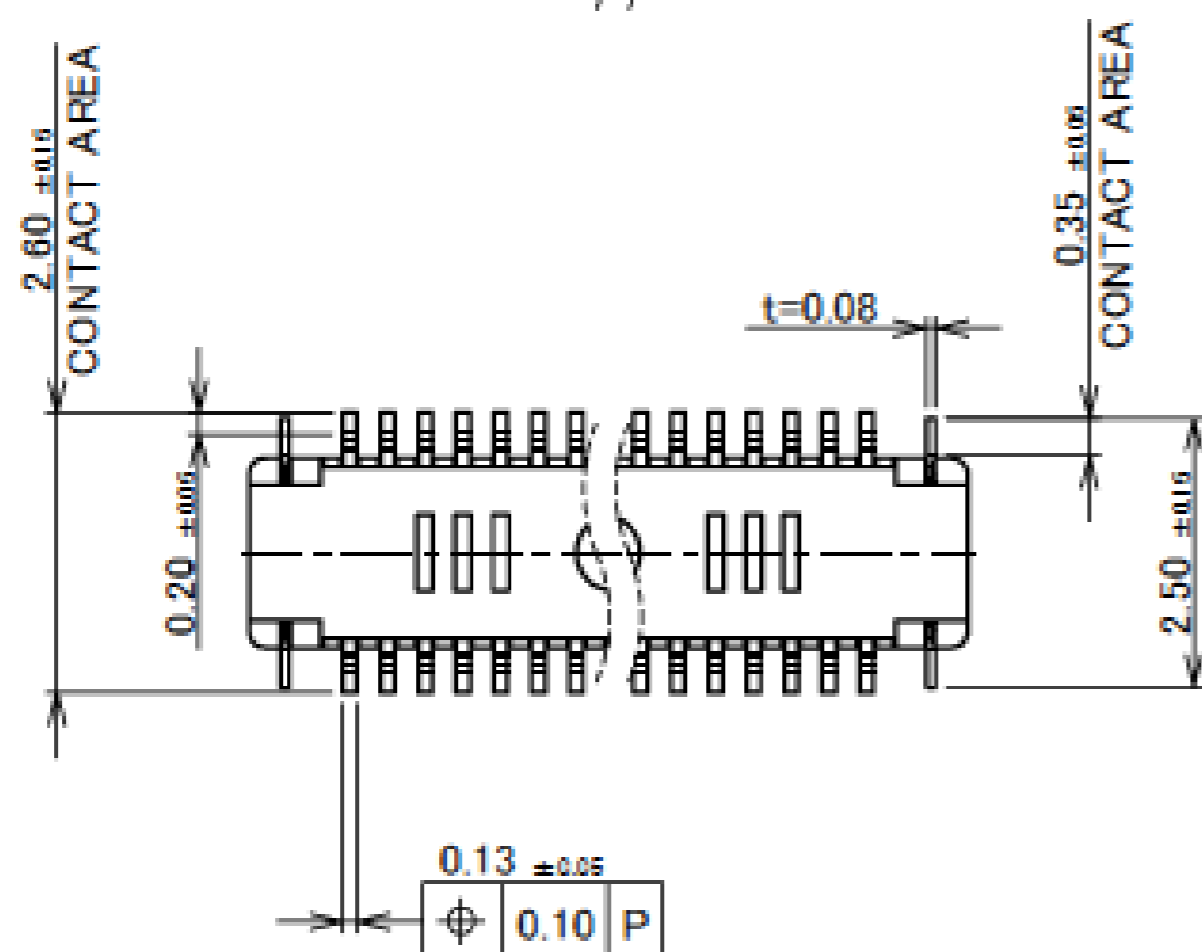
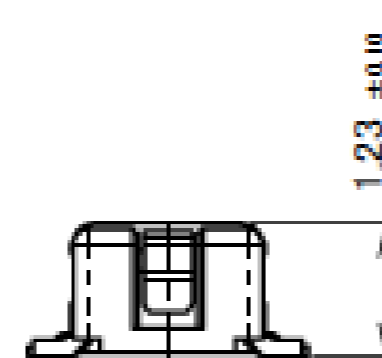
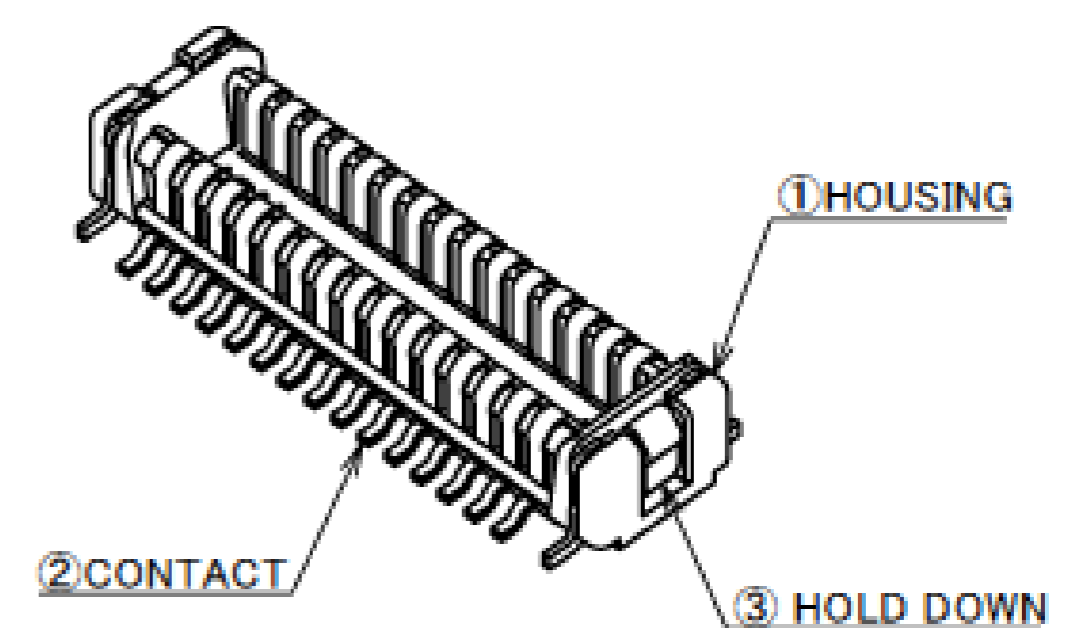
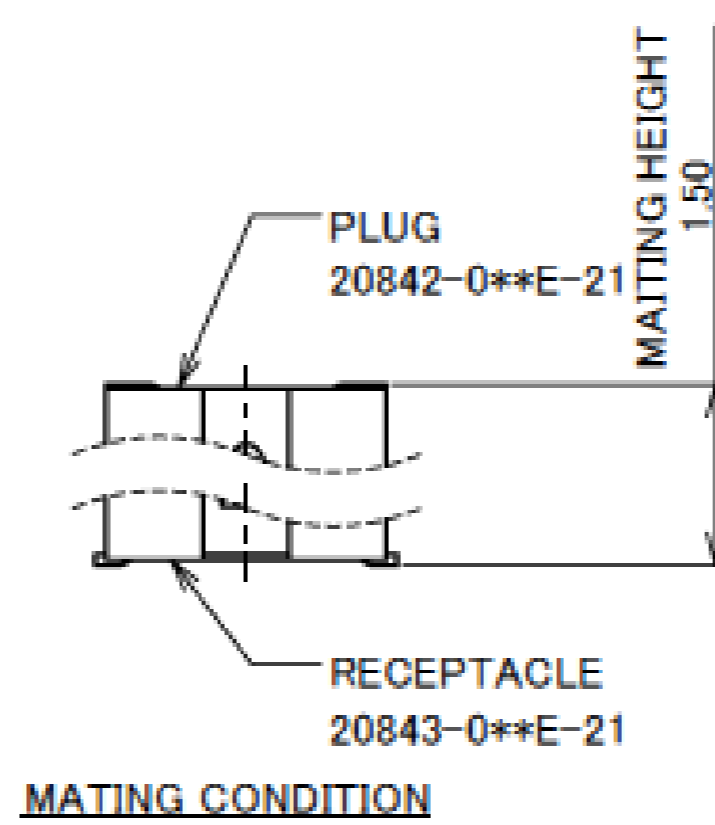
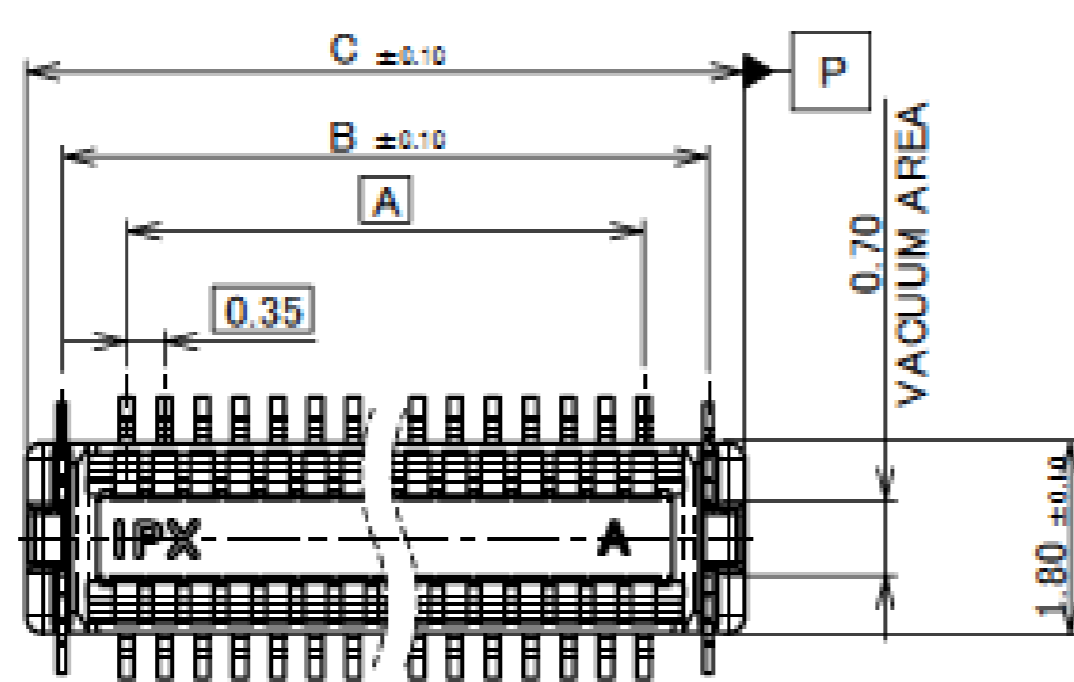
Recommended P/N		20842-0**E-21		
PART No.	Pos	A	B	C
20842-010E-21	10	1.40	2.60	3.27
20842-030E-21	30	4.90	6.10	6.77
20842-040E-21	40	6.65	7.85	8.52
20842-050E-21	50	8.40	9.60	10.27



Halogen Free



RoHS Compliant

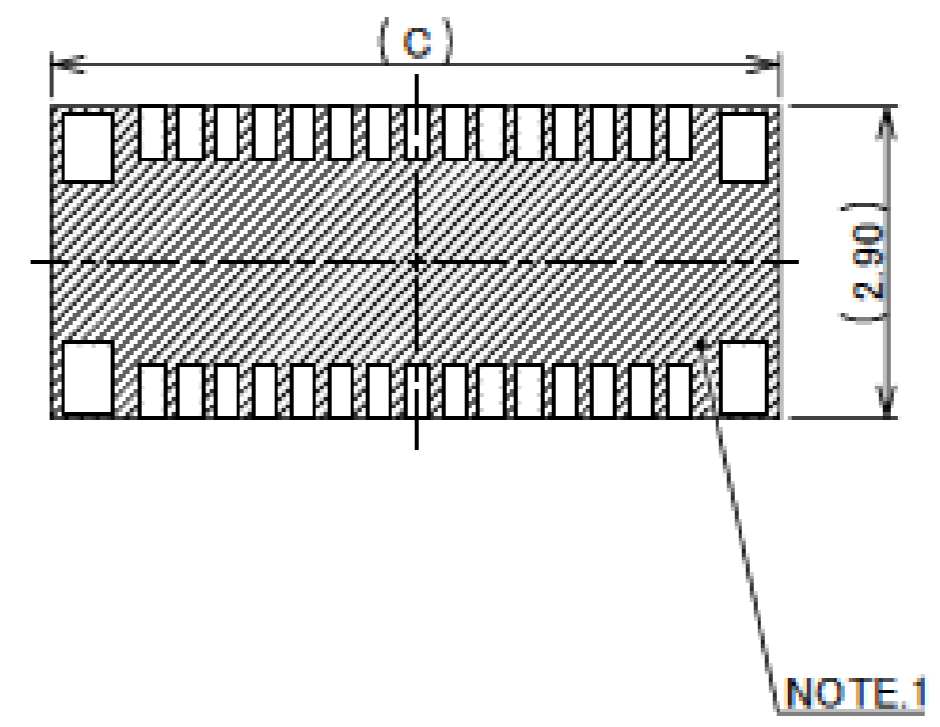
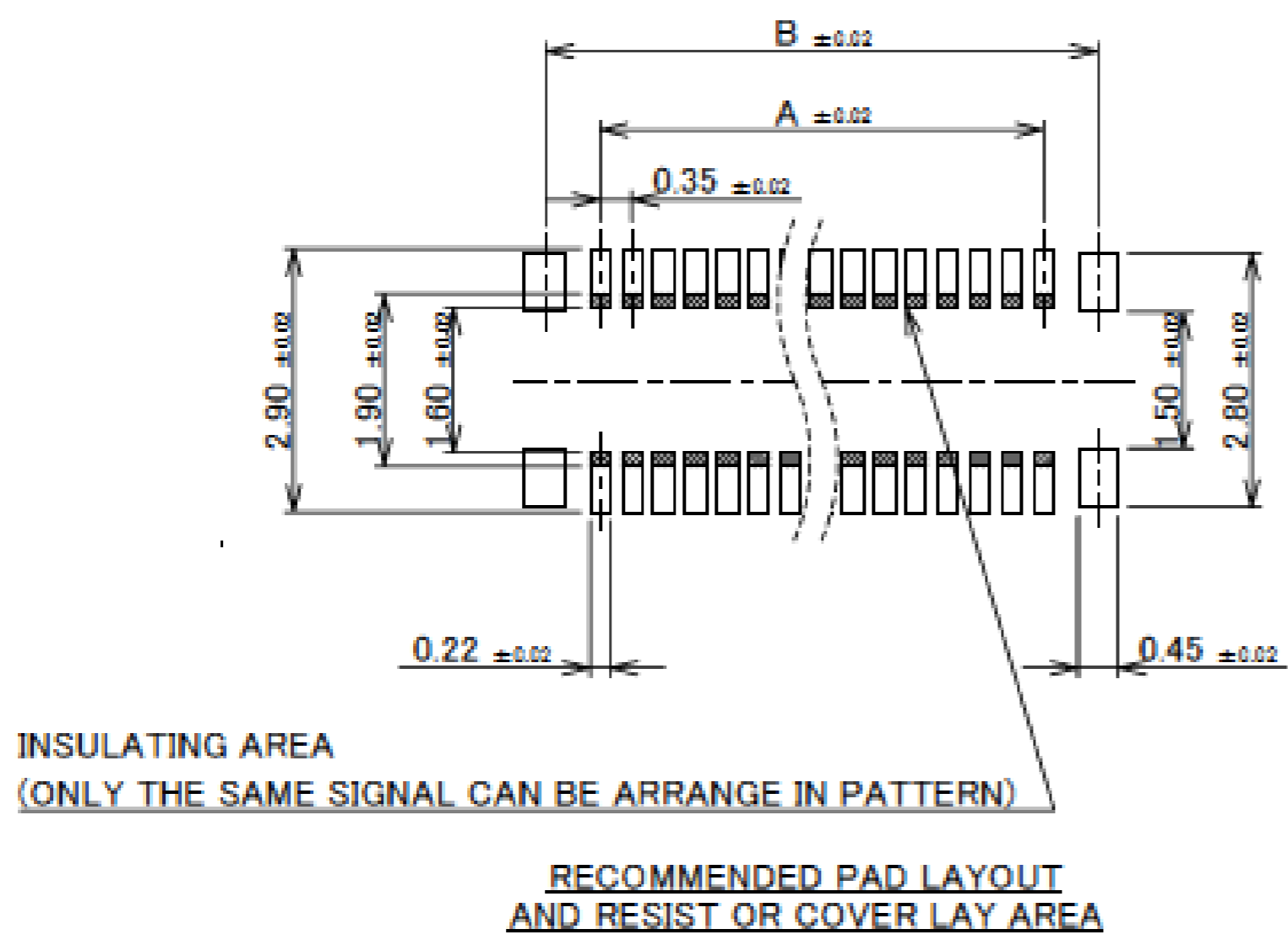
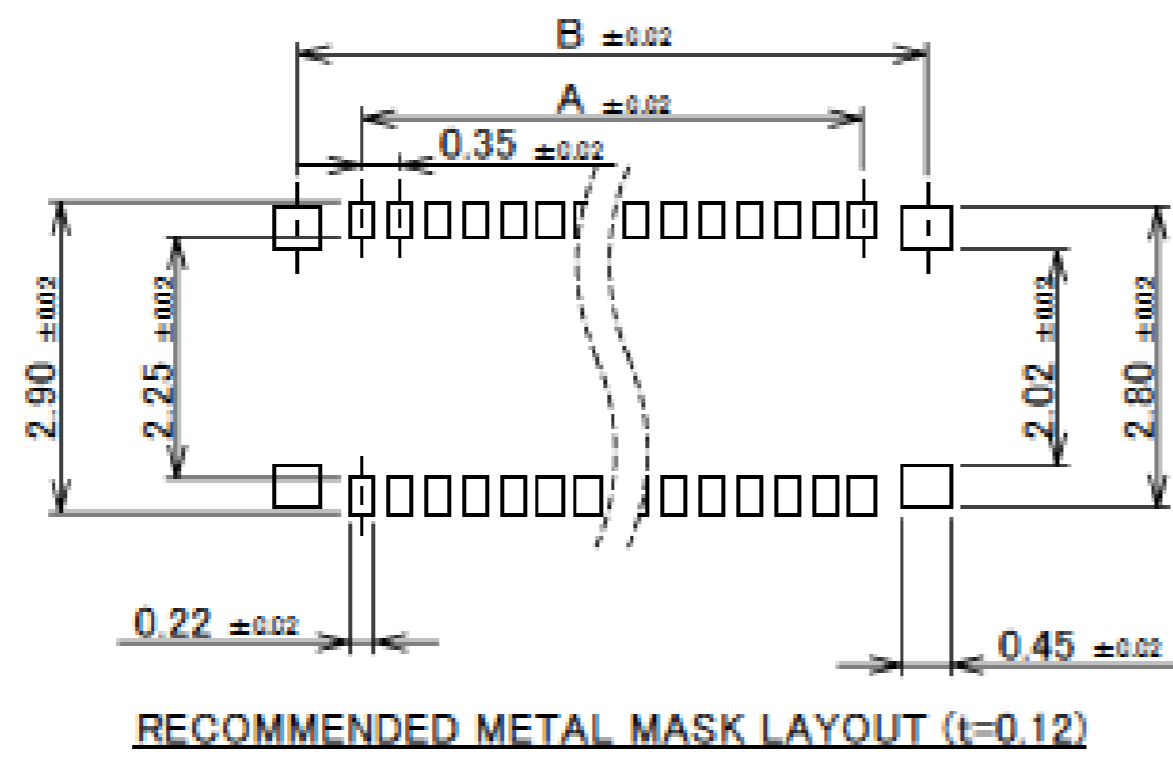


NO.	DESCRIPTION	MATERIAL	FINISH , REMARKS
3	HOLD DOWN	CORSON ALLOY	ALL OVER Ni 1.27 μ m MIN. CONTACT PART Au 0.10 μ m MIN. SOLDERING PART Au 0.01 μ m MIN.
2	CONTACT	CORSON ALLOY	ALL OVER Ni 1.27 μ m MIN. CONTACT PART Au 0.10 μ m MIN. SOLDERING PART Au 0.01 μ m MIN.
1	HOUSING	LCP	UL94V-0, BEIGE

Rev.5

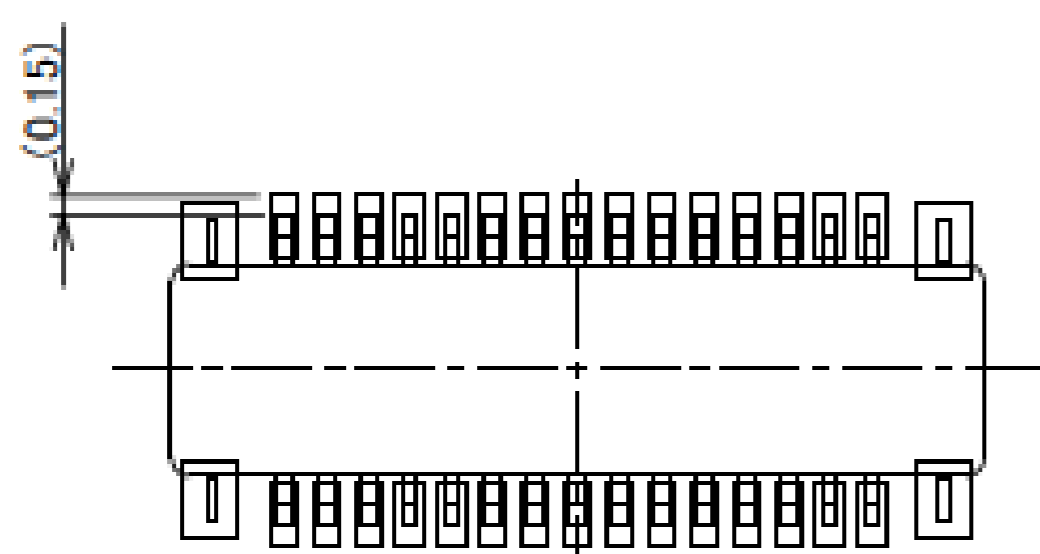
Plug Assembly

PART No.	Pos	A	B	C
20842-010E-21	10	1.40	2.60	3.27
20842-030E-21	30	4.90	6.10	6.77
20842-040E-21	40	6.65	7.85	8.52
20842-050E-21	50	8.40	9.60	10.27

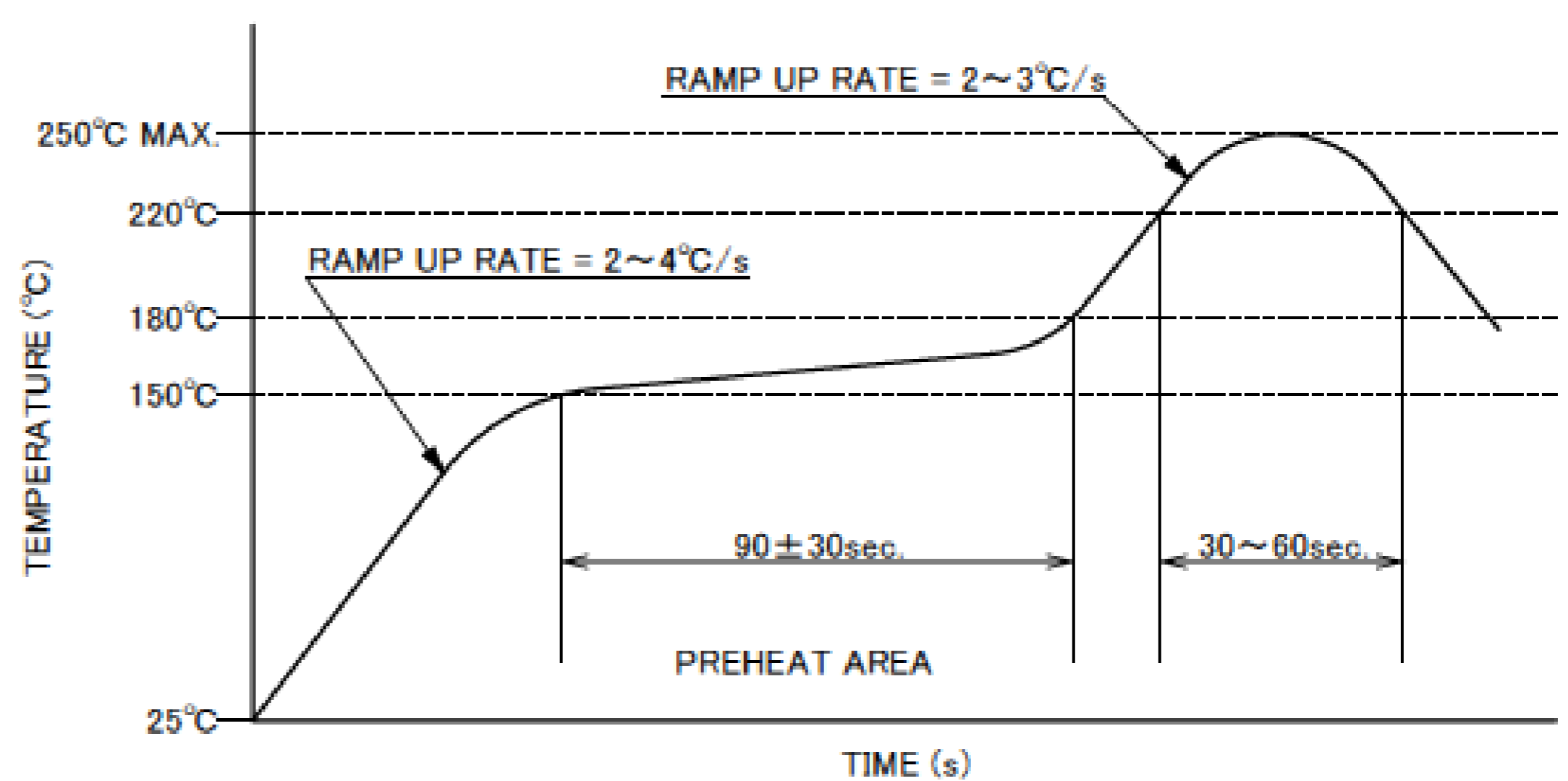


- NOTES.
1. THIS AREA CANNOT MOUNT ANOTHER COMPONENTS.

Rev.5



CONNECTOR ON RECOMMENDED FOOTPRINT PATTERN



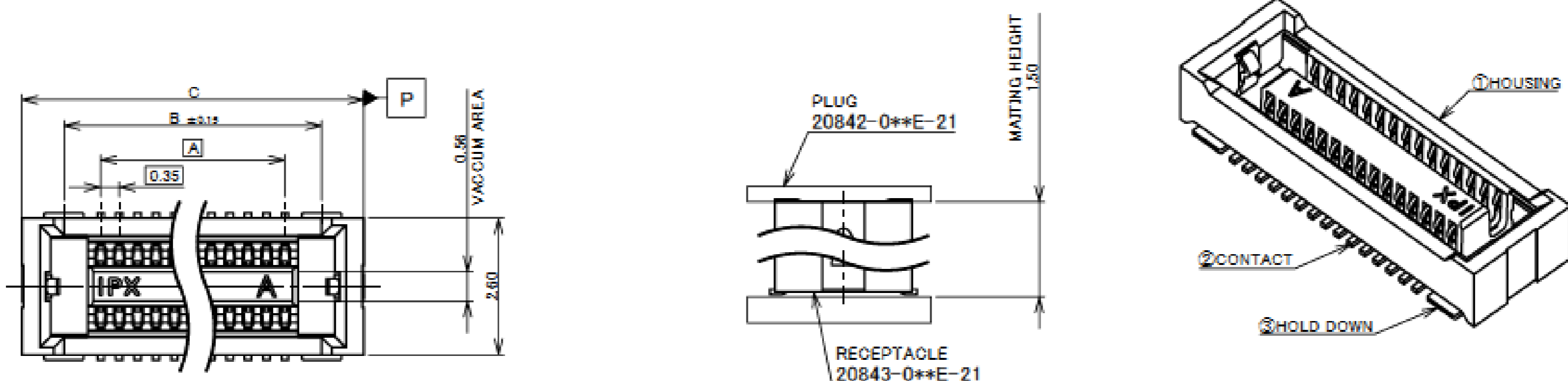
Plug Assembly

ITEMS	SPECIFICATION
APPLICABLE CONNECTOR PART No.	20843-0**E-21
RATING VOLTAGE	50V AC (r.m.s)/DC (PER CONTACT PIN)
RATING AMPERAGE (FOR SIGNAL CONTACT)	0.3A MAX. AC/DC (PER CONTACT PIN) 40P AND OVER : 12.0A MAX. AC/DC(TOTAL)
RATING AMPERAGE (FOR POWER CONTACT)	3.0A MAX. AC/DC (PER CONTACT PIN)/ 6.0A MAX. AC/DC (TOTAL)
OPERATING TEMPERATURE	233~358K(-40°C~+85°C)
OPERATING HUMIDITY	85% MAX.(NON-CONDENSING)
CONTACT RESISTANCE (FOR SIGNAL CONTACT)	INITIAL : 80mohm MAX. / AFTER TEST : Δ 20mohm MAX.
CONTACT RESISTANCE (FOR POWER CONTACT)	INITIAL : 80mohm MAX. / AFTER TEST : Δ 20mohm MAX.
INSULATION RESISTANCE	INITIAL : 1,000Mohm MIN. / AFTER TEST : 500Mohm MIN.
DIELECTRIC WITHSTANDING VOLTAGE	AC200V 1min
DURABILITY	30 CYCLES
MATING FORCE (INITIAL)	1.0N/PIN MAX.
UNMATING FORCE (AFTER TEST)	0.15N/PIN MIN.
COPLANARITY	0.10 MAX.
PRODUCT SPECIFICATION	PRS-2463
TEST REPORT	TR-18014
PACKING STANDARD	PST-17082
INSTRUCTION MANUAL	HIM-18017
APPEARANCE CRITERIA No.	QLS-A***

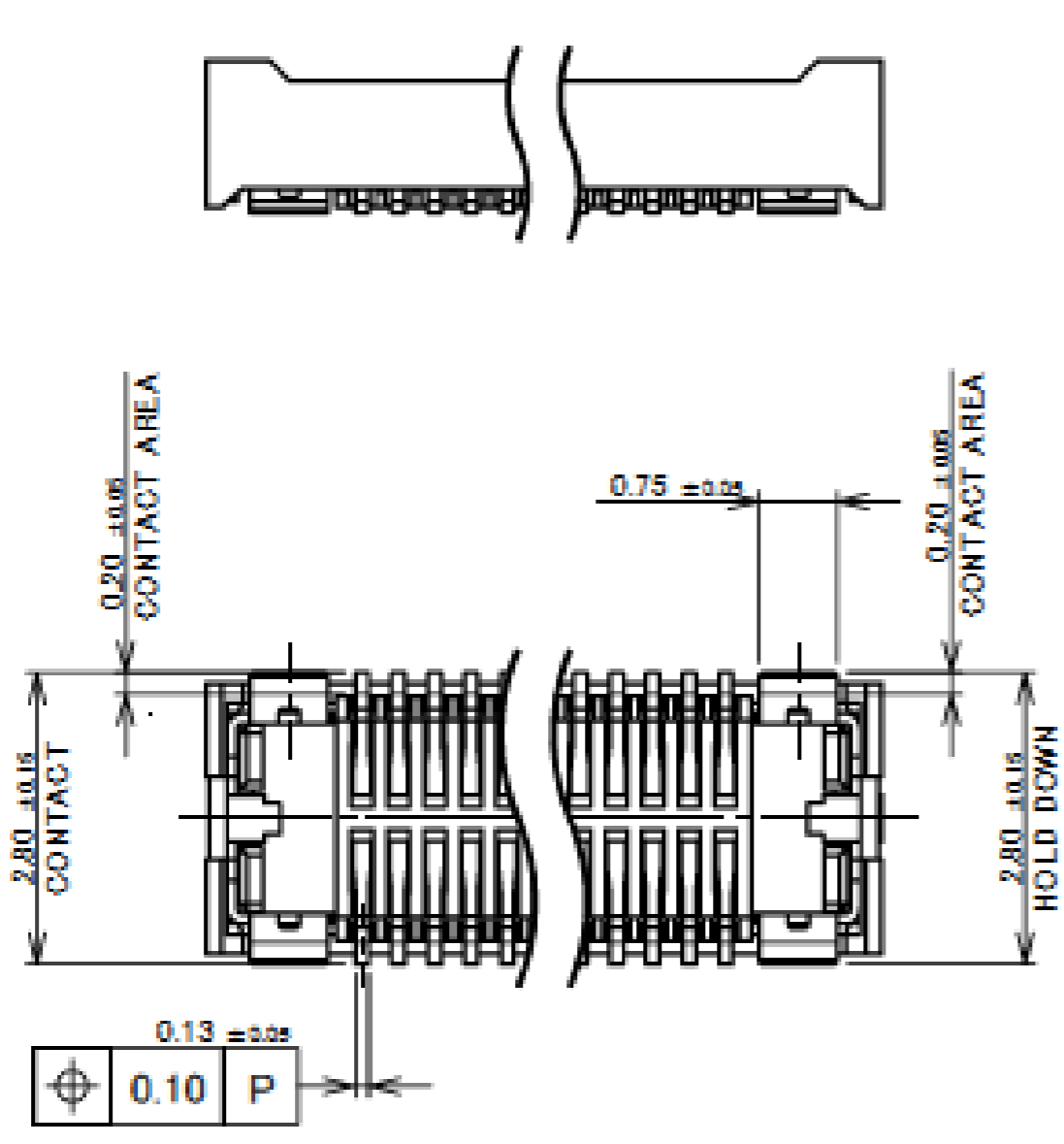
Rev.5

Receptacle Assembly

Recommended P/N		20843-0**E-21		
PART No.	Pos	A	B	C
20843-010E-21	10	1.40	2.80	4.40
20843-030E-21	30	4.90	6.30	7.90
20843-040E-21	40	6.65	8.05	9.65
20843-050E-21	50	8.40	9.80	11.40



MATING CONDITION

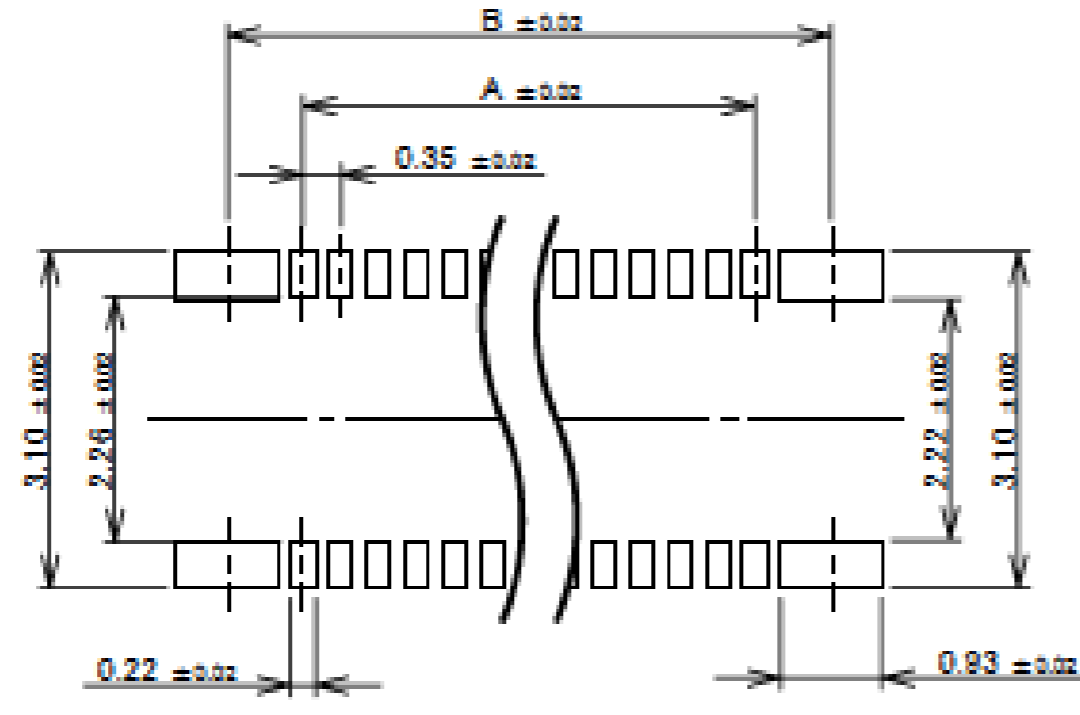


NO.	DESCRIPTION	MATERIAL	FINISH , REMARKS
3	HOLD DOWN	CORSON ALLOY	ALL OVER Ni 1.27 μ m MIN. CONTACT PART Au 0.10 μ m MIN. SOLDERING PART Au 0.01 μ m MIN.
2	CONTACT	CORSON ALLOY	ALL OVER Ni 1.27 μ m MIN. CONTACT PART Au 0.10 μ m MIN. SOLDERING PART Au 0.01 μ m MIN.
1	HOUSING	LCP	UL94V-0, BLACK

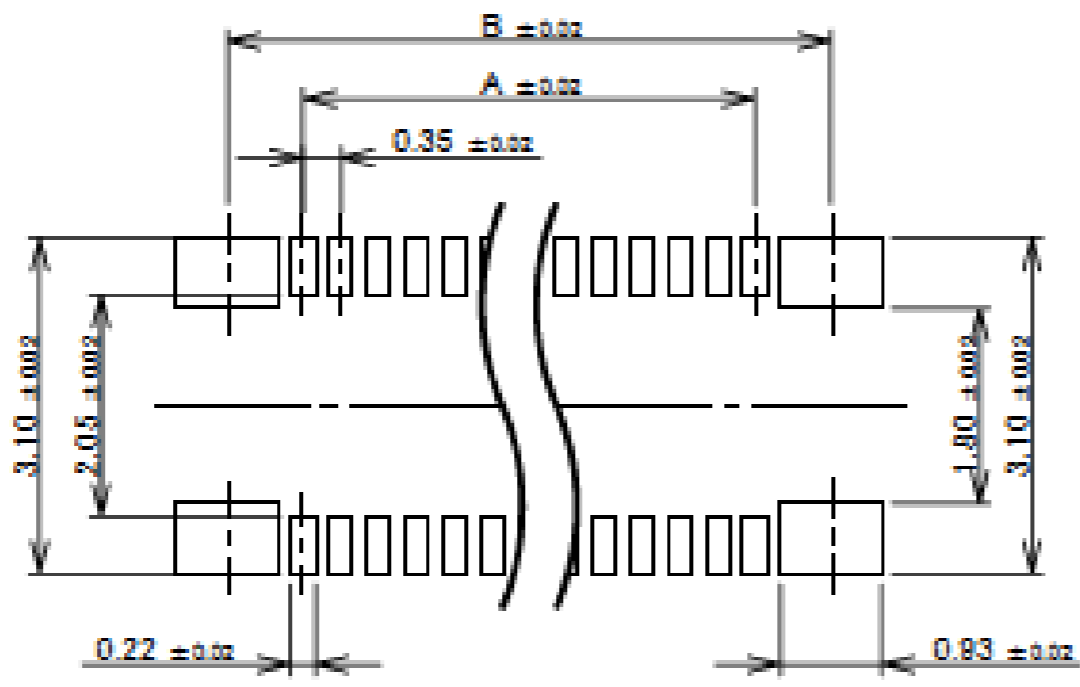
Rev.4

Receptacle Assembly

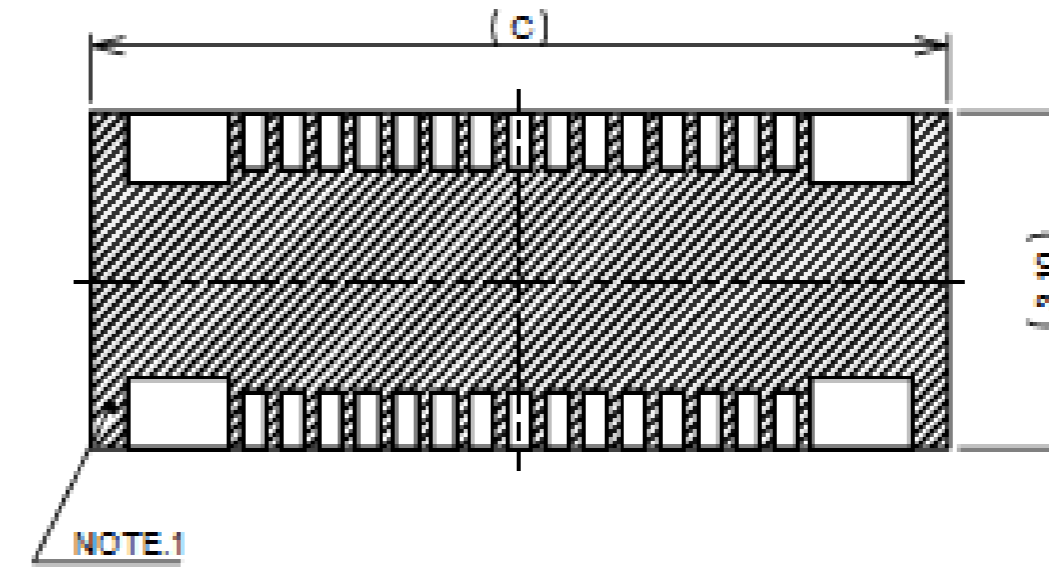
PART No.	Pos	A	B	C
20843-010E-21	10	1.40	2.80	4.40
20843-030E-21	30	4.90	6.30	7.90
20843-040E-21	40	6.65	8.05	9.65
20843-050E-21	50	8.40	9.80	11.40



RECOMMENDED METAL MASK LAYOUT (t=0.12)



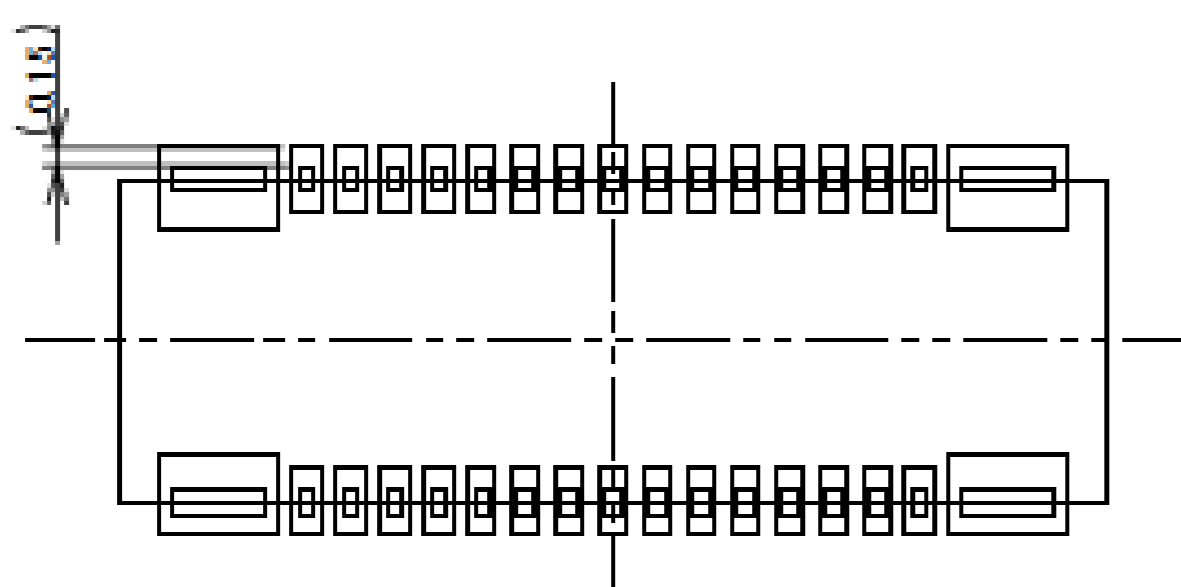
RECOMMENDED PAD LAYOUT



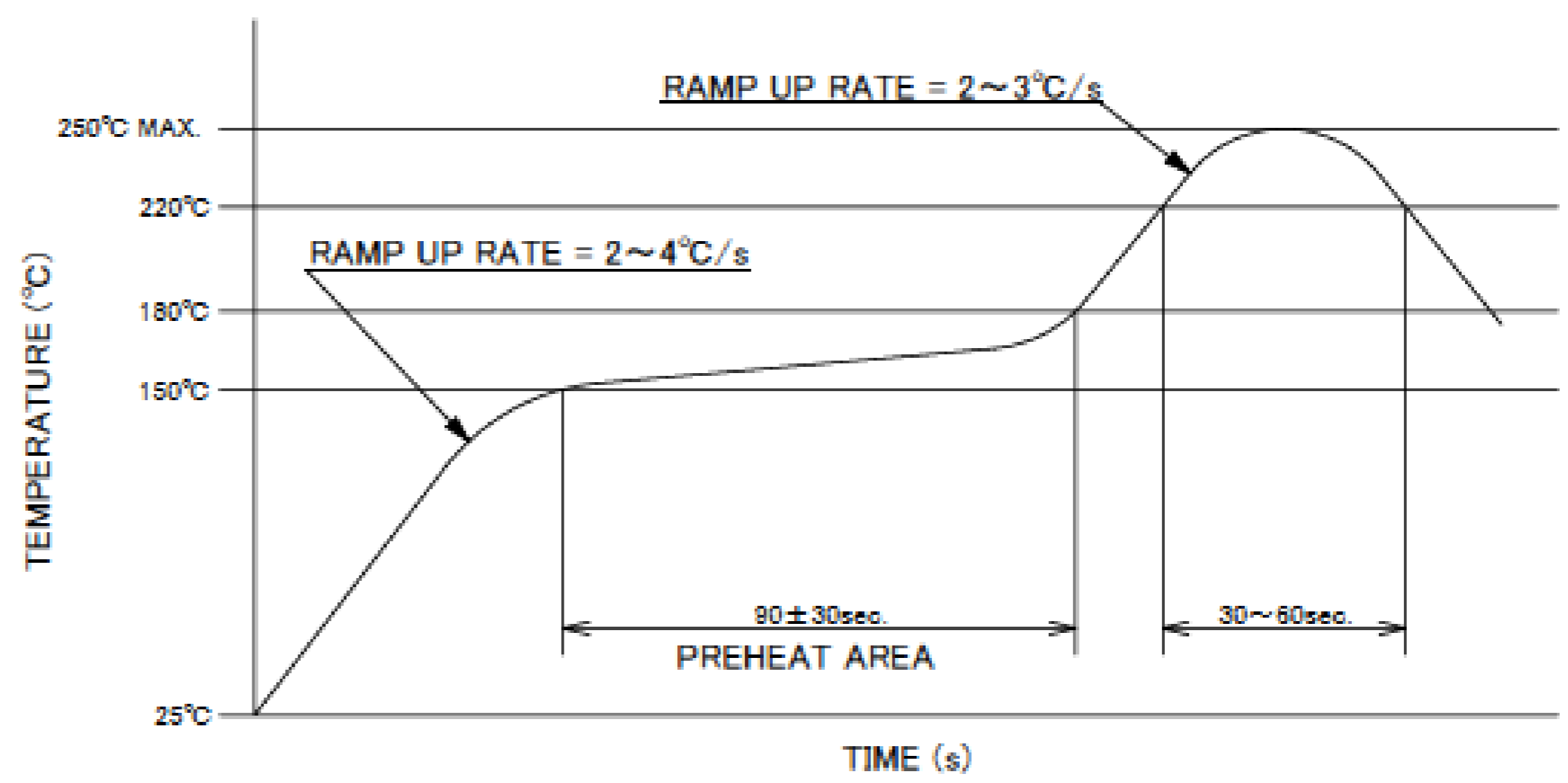
NOTE.1

NOTES
1. THIS AREA CANNOT MOUNT ANOTHER COMPONENTS.

Rev.4



CONNECTOR ON RECOMMENDED FOOTPRINT PATTERN



REFLOW TEMPERATURE PROFILE
SENJU METAL INDUSTRY CO., LTD. : M705-SHF(Sn96.5 Ag3.0 Cu0.5)

Receptacle Assembly

ITEMS	SPECIFICATION
APPLICABLE CONNECTOR PART No.	20842-0**E-21
RATING VOLTAGE	50V AC (r.m.s)/DC (PER CONTACT PIN)
RATING AMPERAGE (FOR SIGNAL CONTACT)	0.3A MAX. AC/DC (PER CONTACT PIN) 40P AND OVER : 12.0A AC/DC MAX.(TOTAL)
RATING AMPERAGE (FOR POWER CONTACT)	3.0A MAX. AC/DC (PER CONTACT PIN)/ 6.0A MAX. AC/DC (TOTAL)
OPERATING TEMPERATURE	233~358K(-40°C~+85°C)
OPERATING HUMIDITY	85% MAX.(NON-CONDENSING)
CONTACT RESISTANCE (FOR SIGNAL CONTACT)	INITIAL : 80mohm MAX. / AFTER TEST : \triangle 20mohm MAX.
CONTACT RESISTANCE (FOR POWER CONTACT)	INITIAL : 80mohm MAX. / AFTER TEST : \triangle 20mohm MAX.
INSULATION RESISTANCE	INITIAL : 1,000Mohm MIN. / AFTER TEST : 500Mohm MIN.
DIELECTRIC WITHSTANDING VOLTAGE	AC200V 1min
DURABILITY	30 CYCLES
MATING FORCE (INITIAL)	1.0N/PIN MAX.
UNMATING FORCE (AFTER TEST)	ALL PIN COUNT: 0.15N/PIN MIN.
COPLANARITY	0.10 MAX.
PRODUCT SPECIFICATION	PRS-2463
TEST REPORT	TR-18014
PACKING STANDARD	PST-17083
INSTRUCTION MANUAL	HIM-18017
APPEARANCE CRITERIA No.	QLS-A***


Rev.4

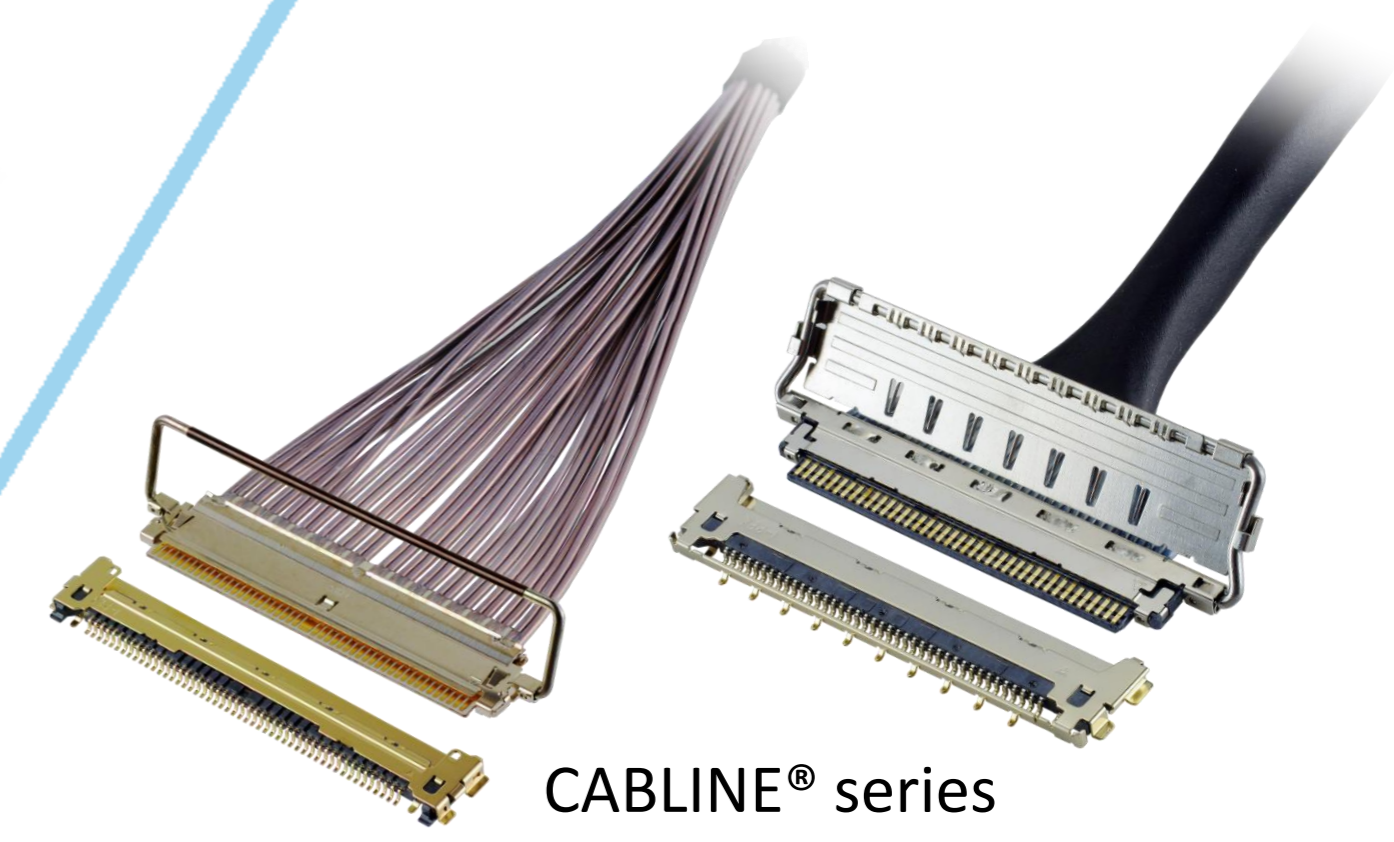
Custom Connectors Available

 RF Connector

MHF® series



 CABLINE® series
Micro-coaxial/Twinax/
Discrete Wire Connector



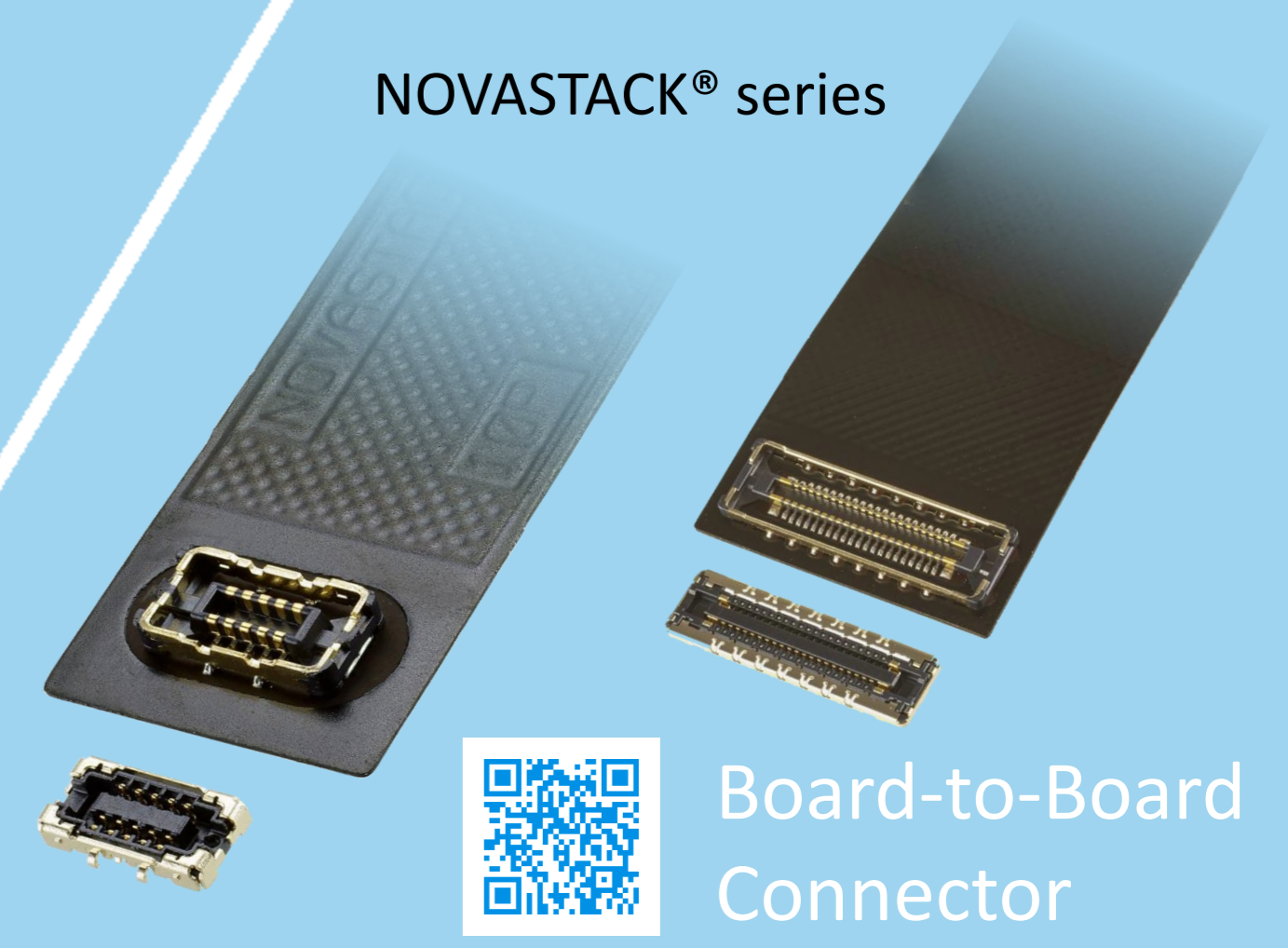
 Optical Module

LIGHTPASS® series



NOVASTACK® series

 Board-to-Board Connector



 Power Connector/
Terminal

AP series

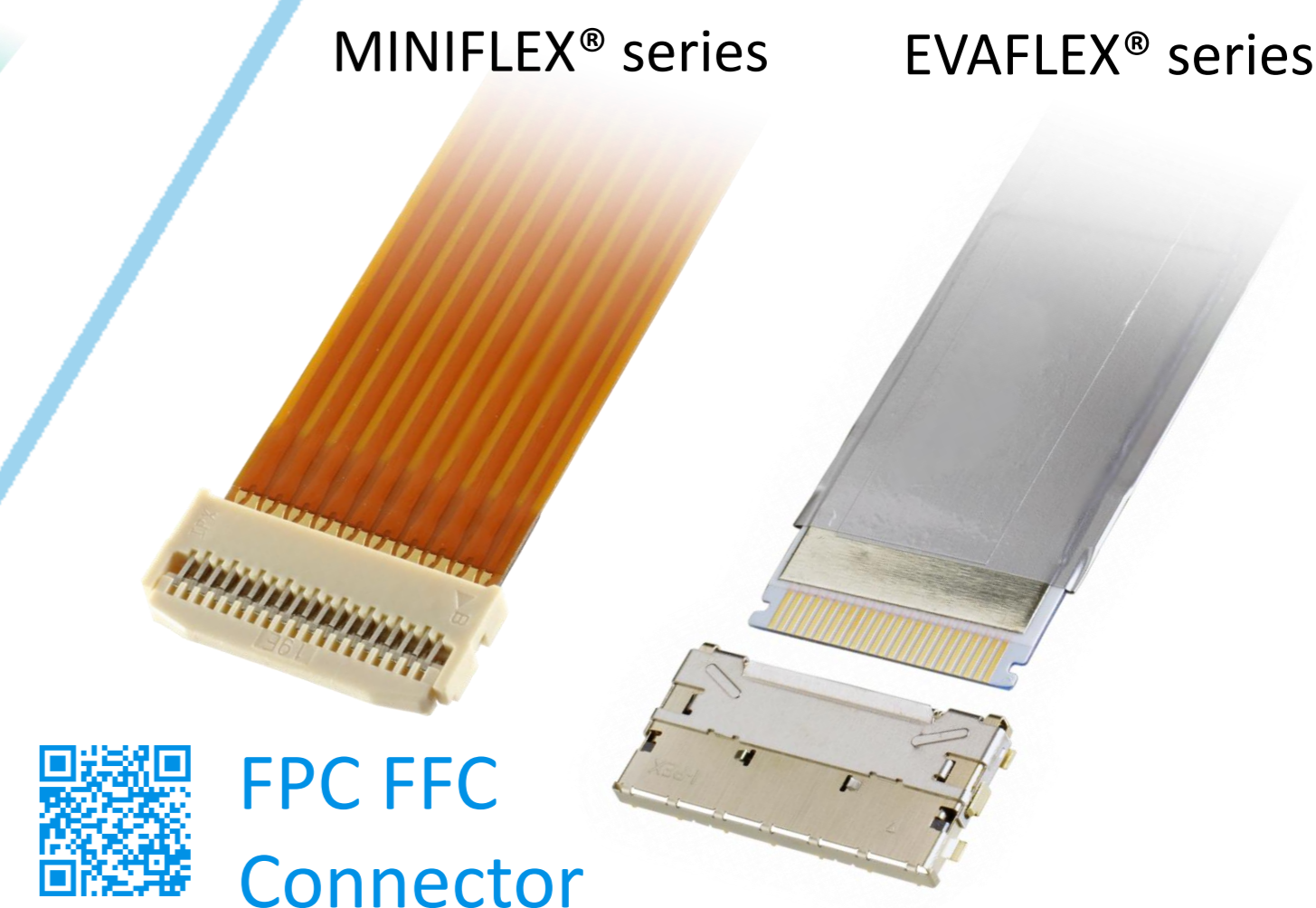
ISH® series



MINIFLEX® series

EVAFLEX® series

 FPC FFC
Connector

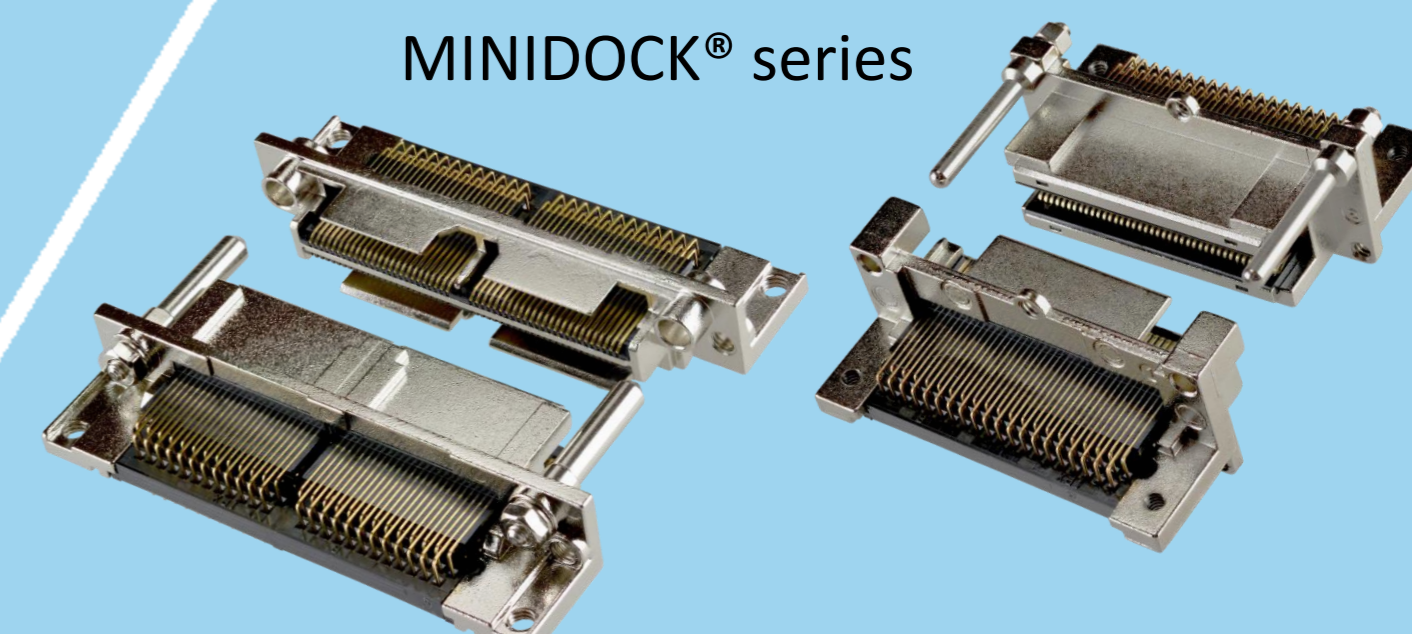


Inquiry



MINIDOCK® series

 I/O
Connector



I-PEX, MHF, CABLINE, LIGHTPASS, NOVASTACK, ISH, IARPB, MINIFLEX, EVAFLEX, MINIDOCKS and ZenShield are registered trademarks of I-PEX Inc. Please note that the contents in the catalog might be changed without prior notification. I-PEX Inc. assumes no responsibility for any inaccuracies or obligation to update information on these documents. Please be sure to read and understand the latest "Precautions for Use" and "Instruction Manual" before you use our products. We shall not be responsible for any defects, damages or troubles in case you use our products without following the precautions for use. Please feel free to contact our sales representatives when you use our products for any applications that require very high reliability and safety, or that relate to human life (ex. nuclear power control, aerospace, transportation, medical equipment, safety equipment etc.).

Contact your sales representative
or more detailed information.

www.i-pex.com



I-PEX

© I-PEX Inc. 2024
All rights reserved