

NOVASTACK® 35-HDH

高度1.5 mm, 0.35 mm 間距, 全屏蔽式, 高背設計,
高速 20 GHz (\approx 40 Gbps)/通道傳輸

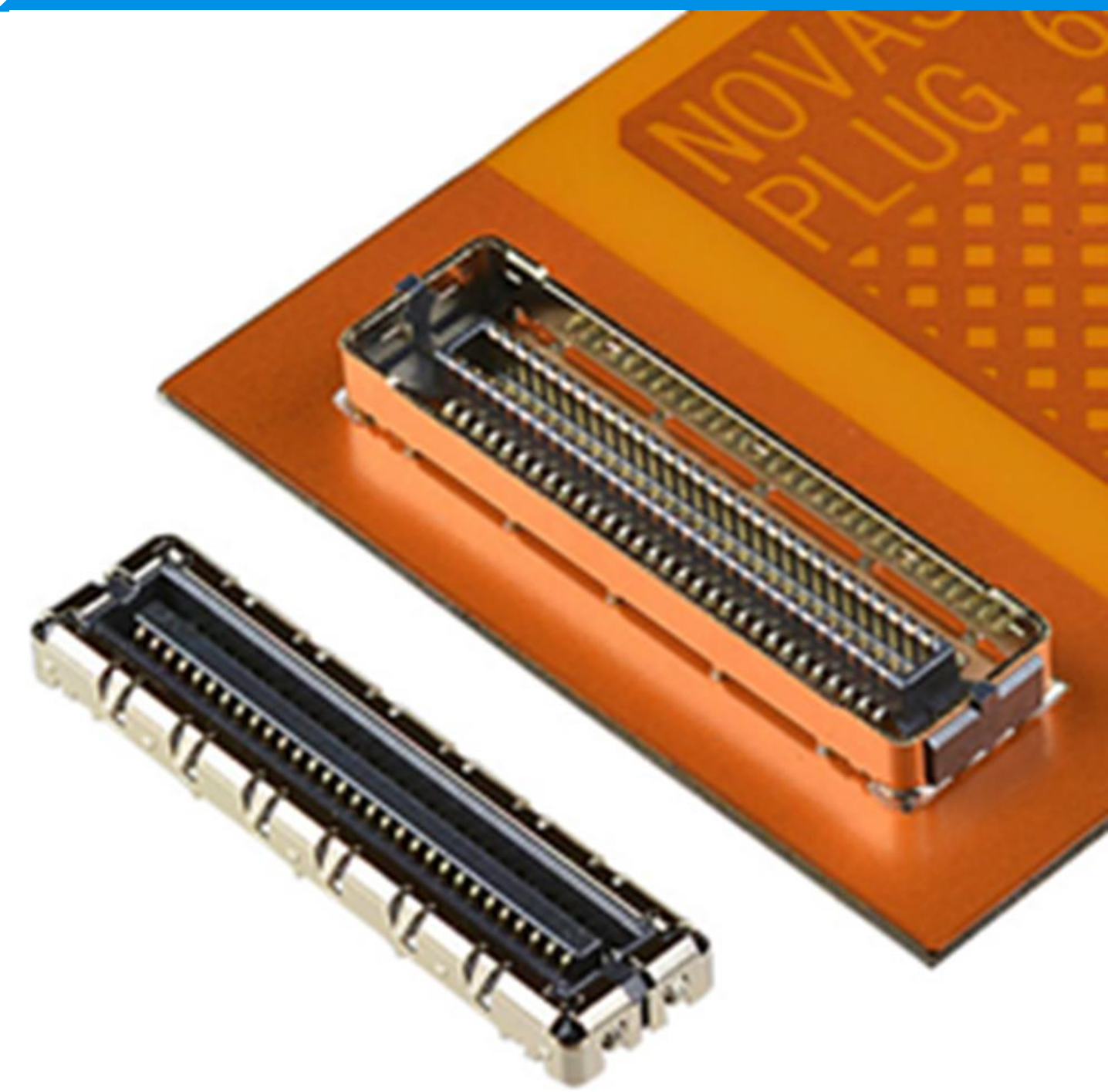
Product Specifications:

Board Pitch (mm)	0.35	
Wiping Length (mm)	0.33	
Mated Size (mm)	Height	1.5 +/- 0.10
	Width	3.3+(0.35*?p/2)
	Depth	3.64
Current Rating	Signal	0.5A/pin (12.0A Max. (Total))
	Power	-
Pin Counts	Range	10 - 70
	Available	60

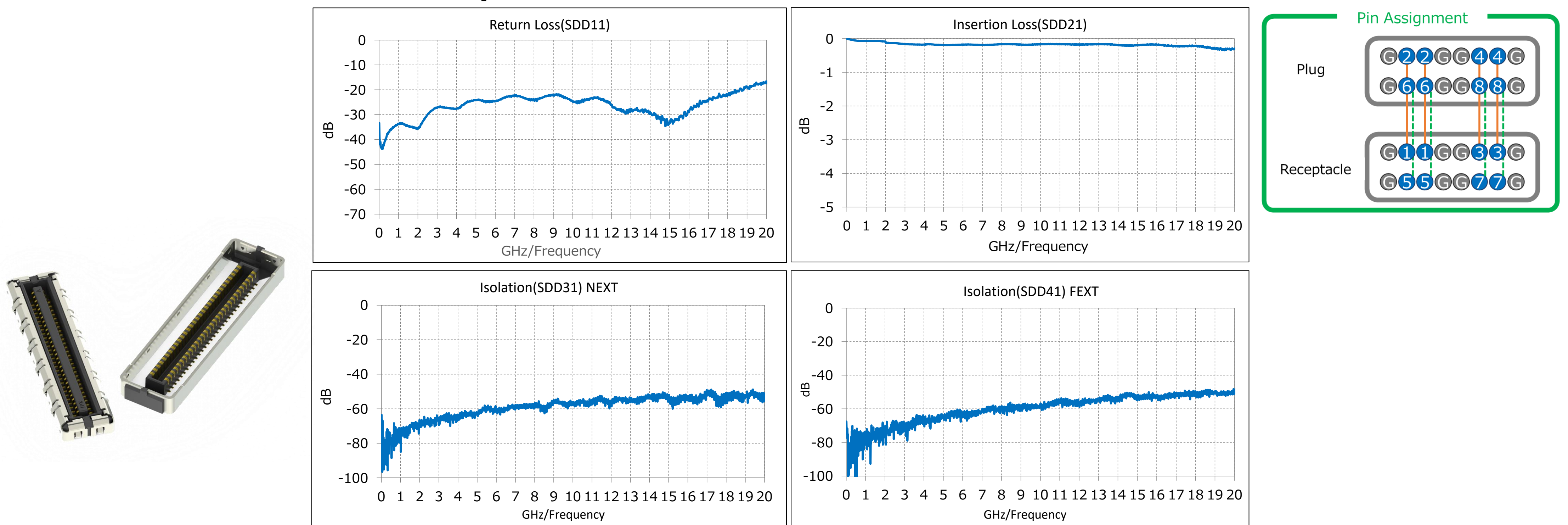
* 如需了解未列出或不在範圍內的pin 數, 請聯繫我們。

Applicable Standards (Reference Only):

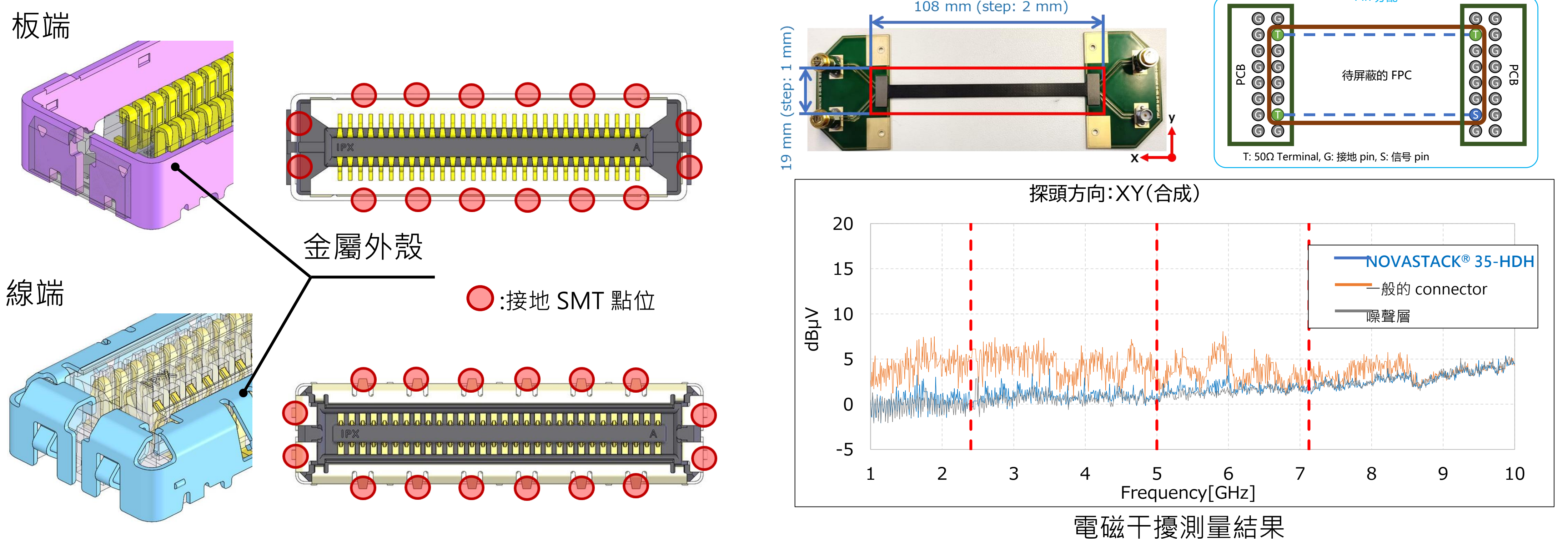
USB4 (20 Gbps/lane); USB 3.1 Gen 2 (10 Gbps); eDP HBR 3 (8.1 Gbps); eDP HBR 2 (5.4 Gbps); HDMI 2.0 (6 Gbps); V-By-One HS 1.4 (4 Gbps); MiPi standards



▶ 支持 20 GHz (\approx 40 Gbps) / 通道傳輸, 是最新高速訊號的理想選擇



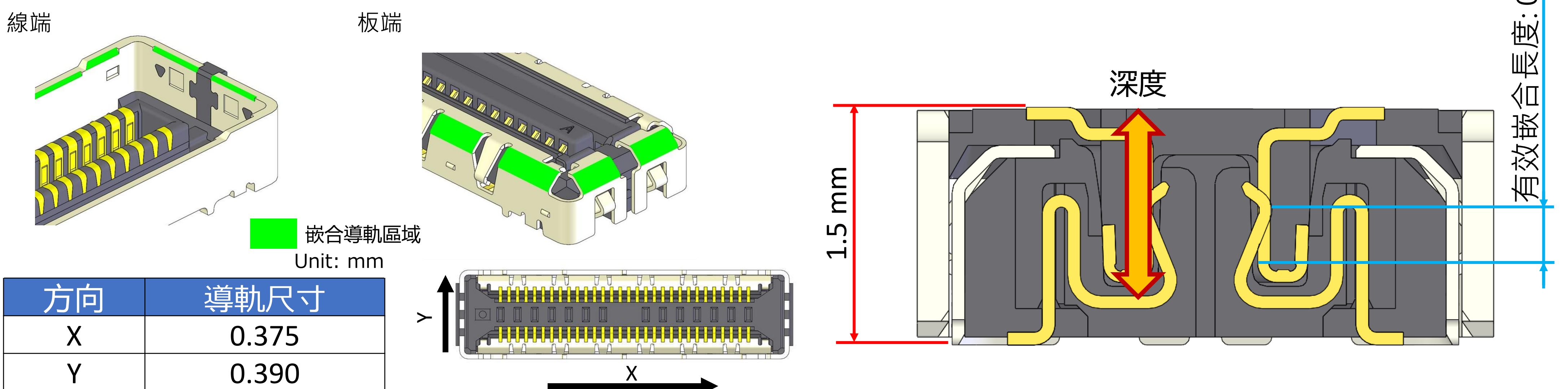
▶ ZenShield® 全屏蔽和多點接地設計, 可防止 EMI 洩漏



▶ 高背連接器設計, 具有出色的配接可加工性

導軌可實現正确位置的嵌合

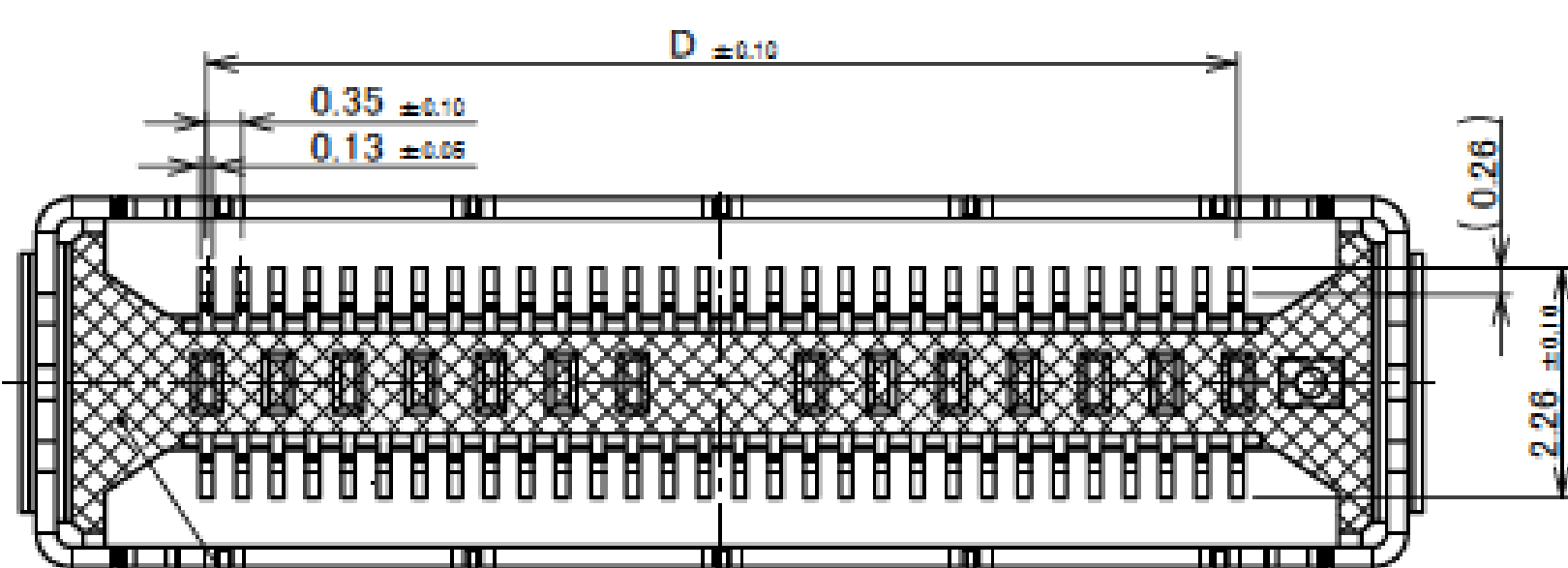
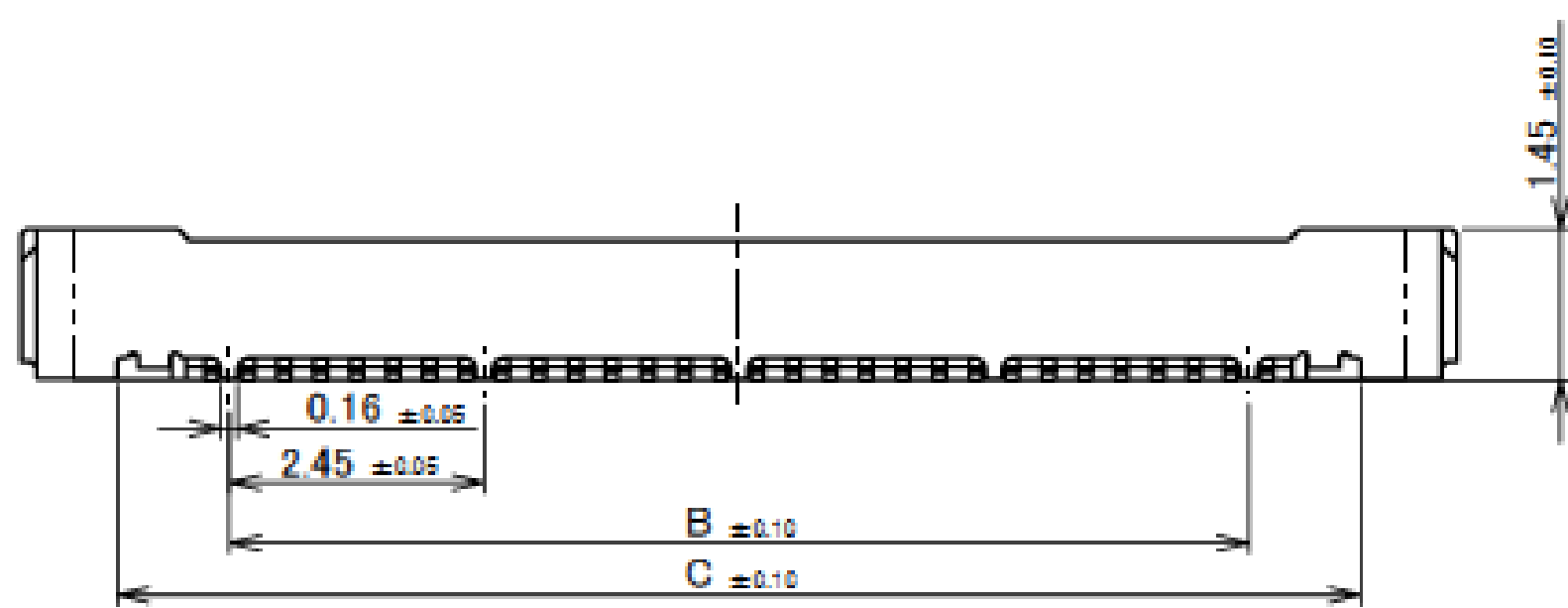
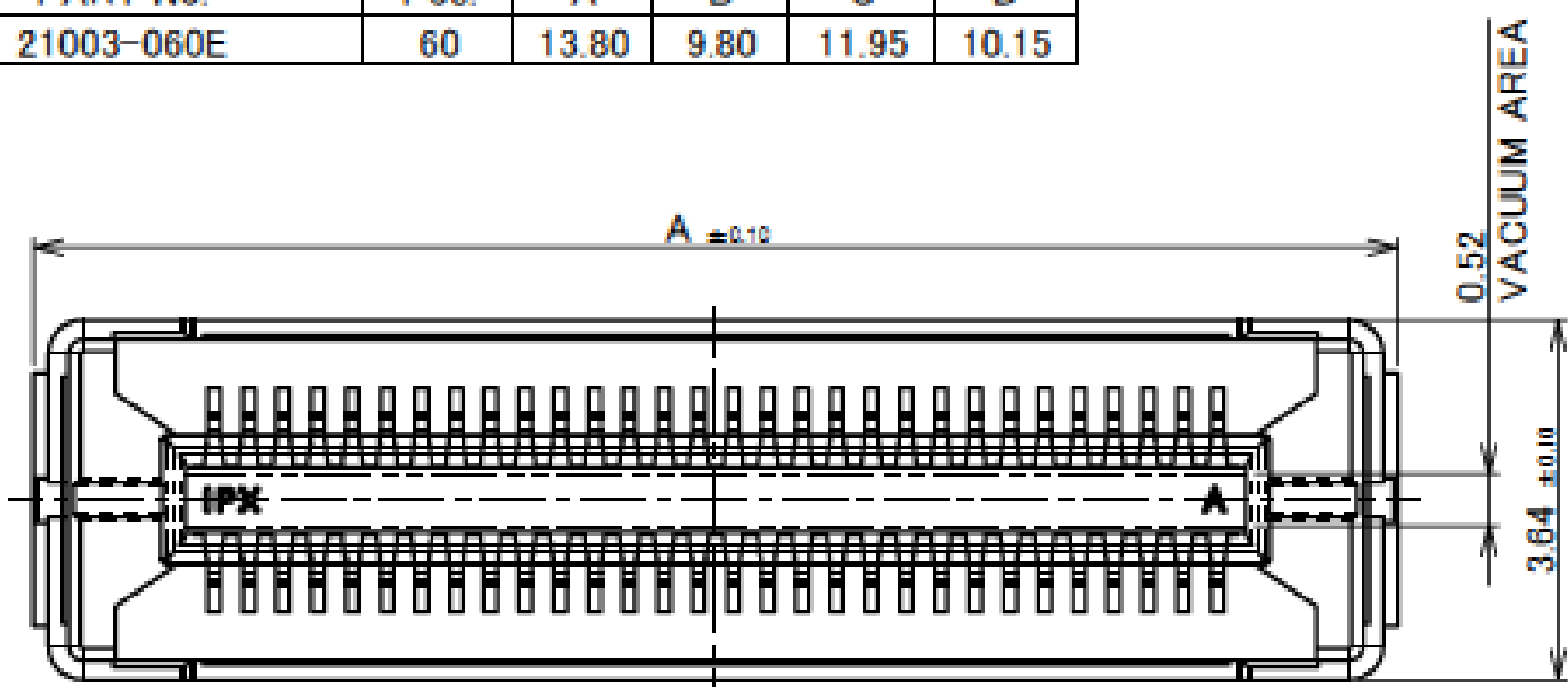
較長的嵌合長度可大大降低嵌合時發生傾斜的可能性



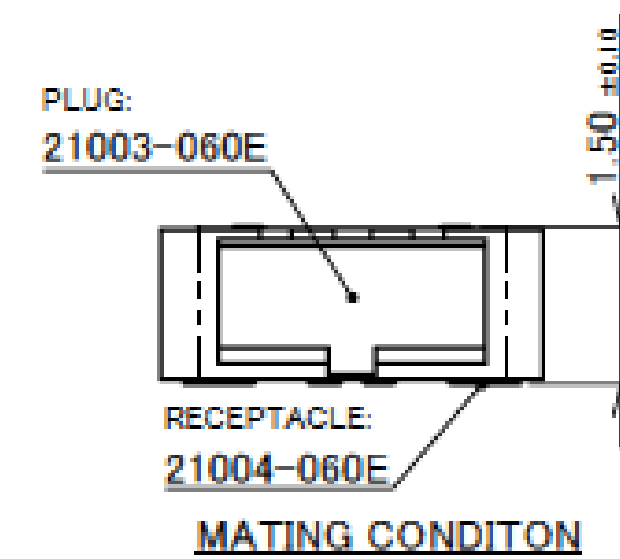
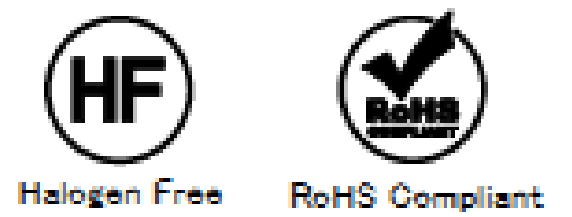
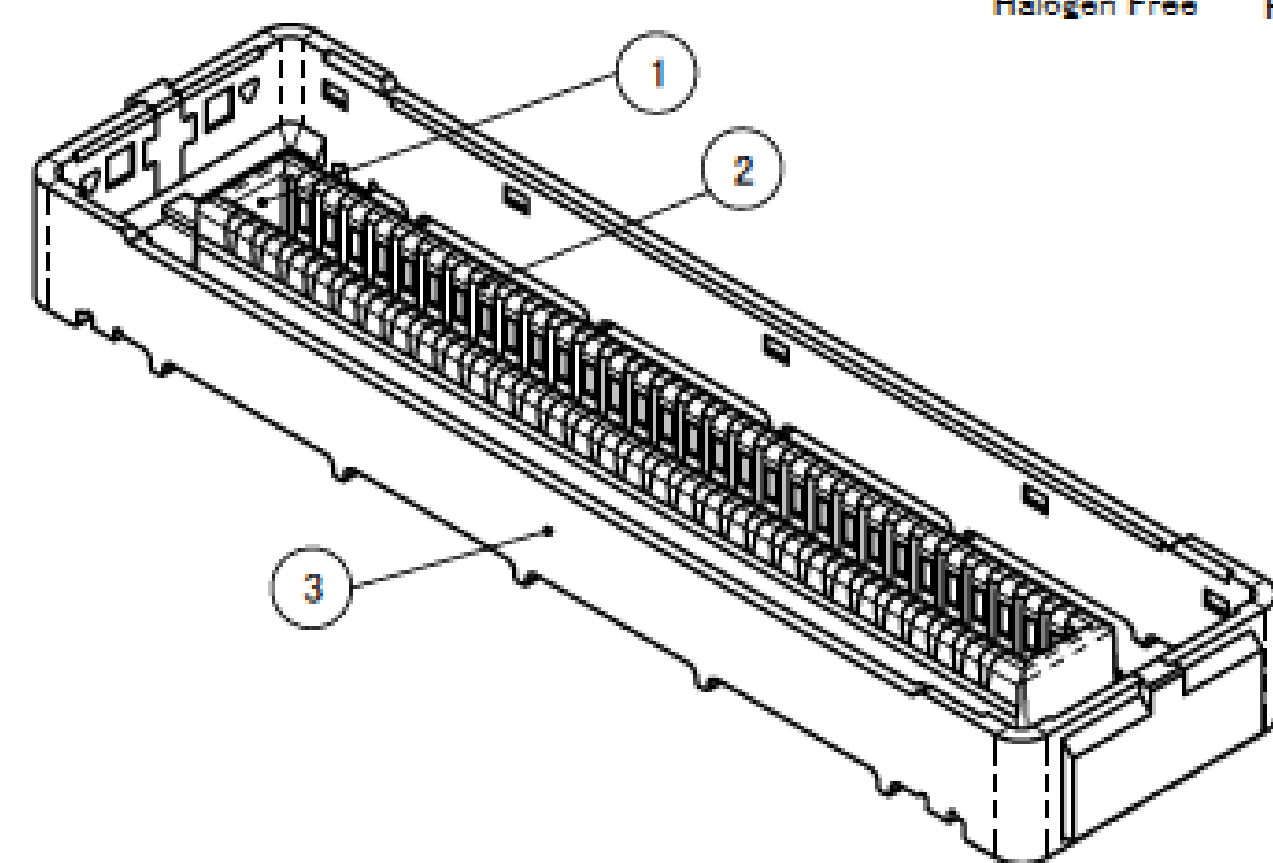
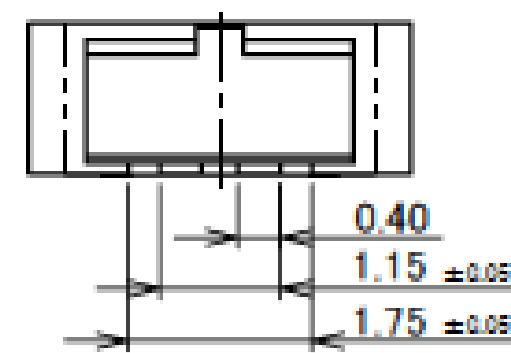
Component Parts Detail

Plug Assembly

Recommended P/N	21003-060E				
PART No.	Pos.	A	B	C	D
21003-060E	60	13.80	9.80	11.95	10.15



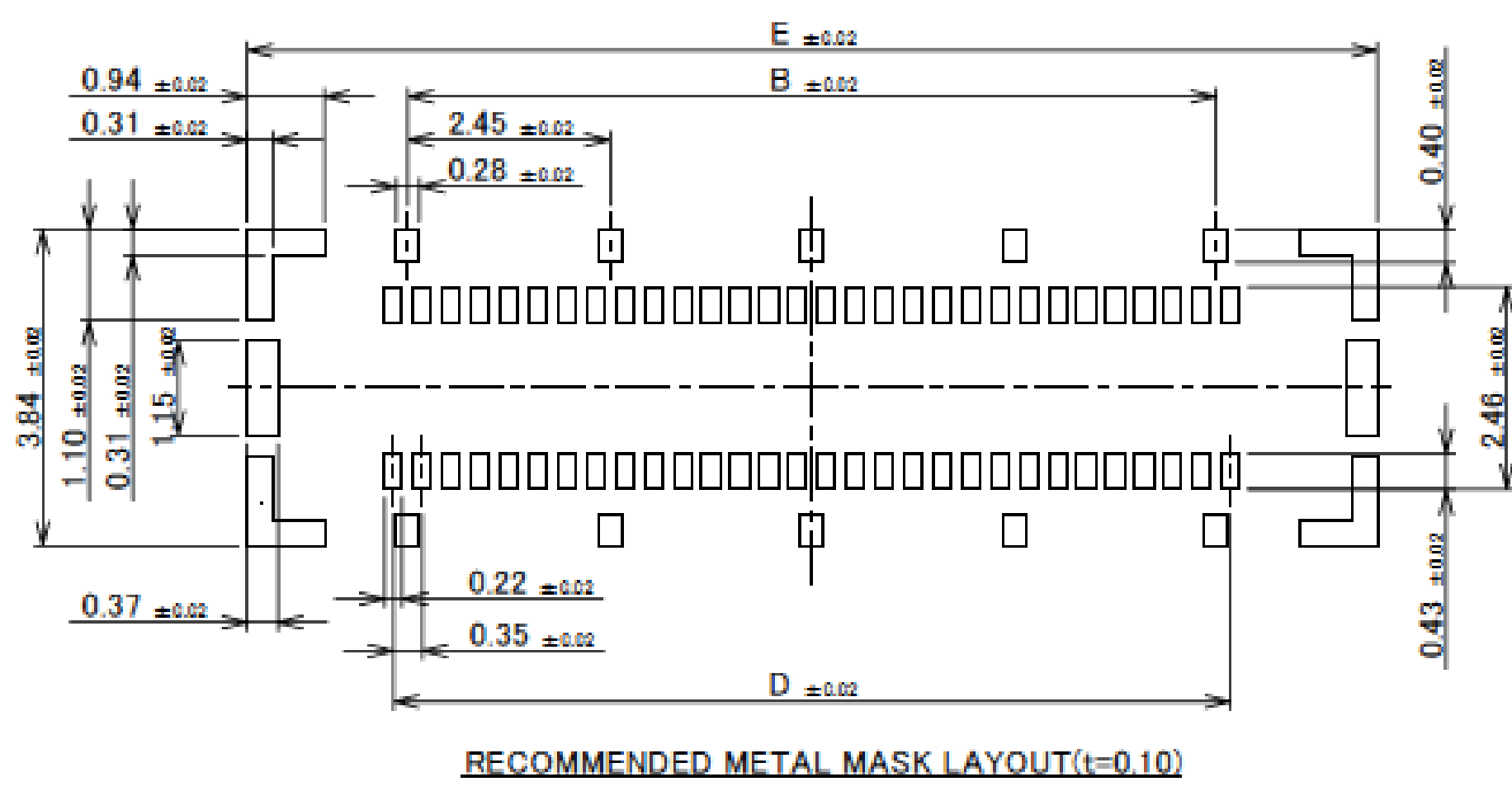
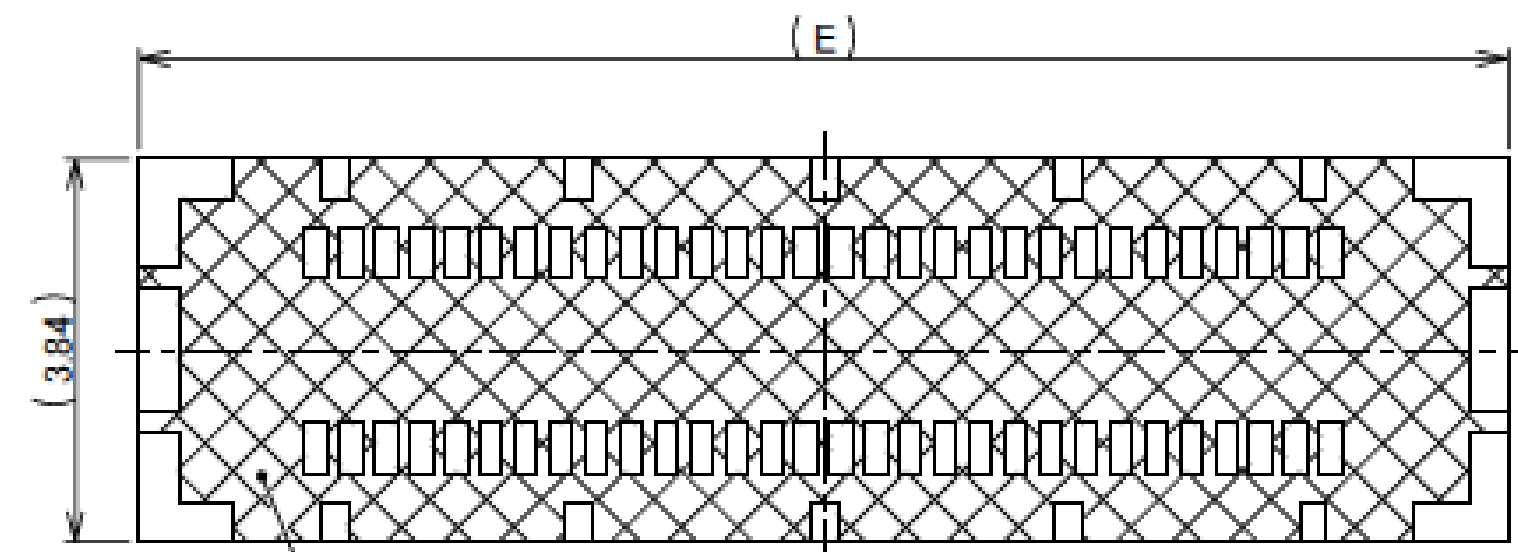
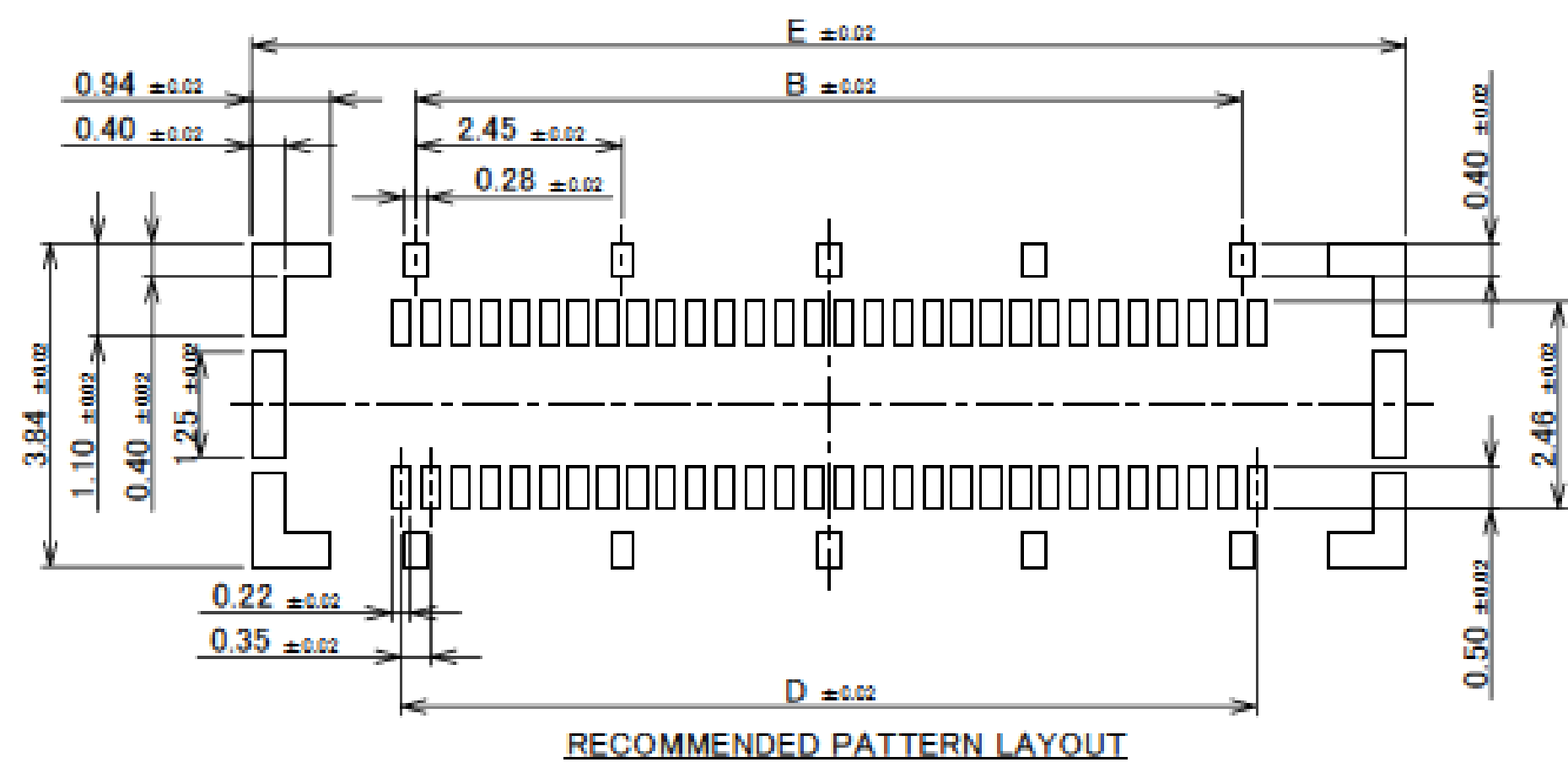
THERE IS A POSSIBILITY OF DENT SHAPE IN THE BOTTOM SURFACE OF HOUSING.



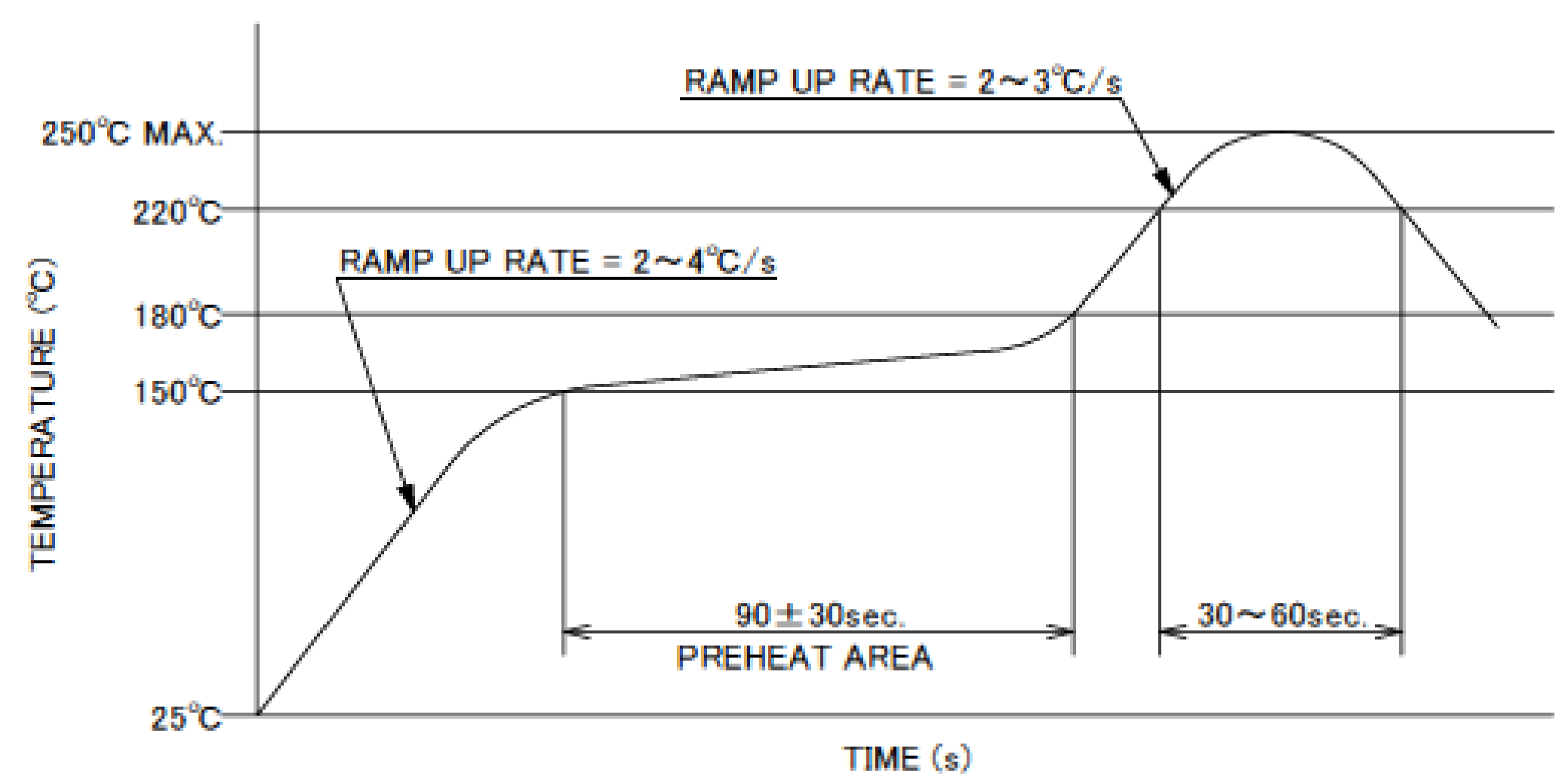
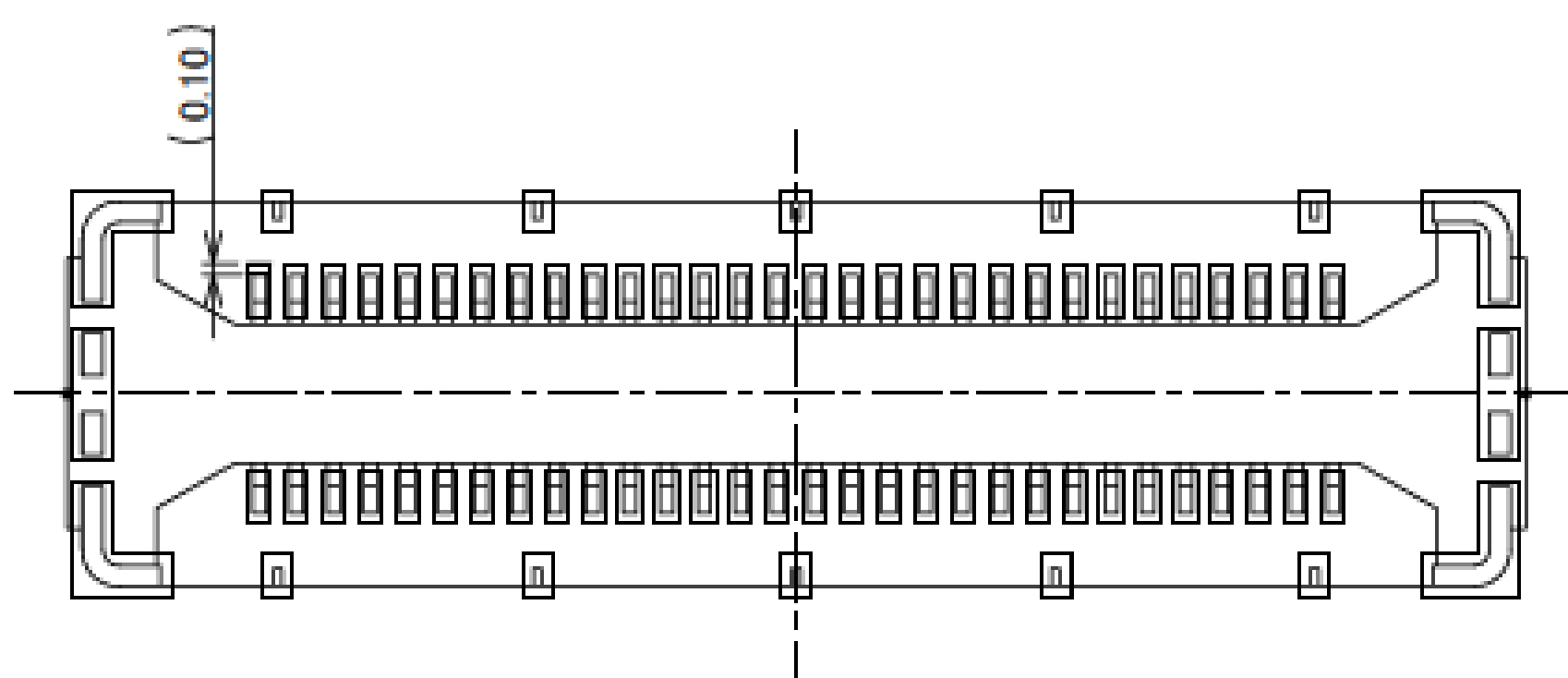
NO.	DESCRIPTION	MATERIAL	FINISH, REMAKS
3	SHELL	CORSON ALLOY	ALL Au 0.01 μm MIN. OVER Ni 1.27 μm MIN.
2	CONTACT	CORSON ALLOY	CONTACT AREA : Au 0.13 μm MIN. OVER Ni 1.27 μm MIN. SOLDERING AREA : Au 0.02 μm MIN. OVER Ni 1.27 μm MIN.
1	HOUSING	LCP	UL94V-0, BLACK

Plug Assembly

PART No.	Pos.	B	D	E
21003-060E	60	9.80	10.15	13.70



Rev.1



Rev.1

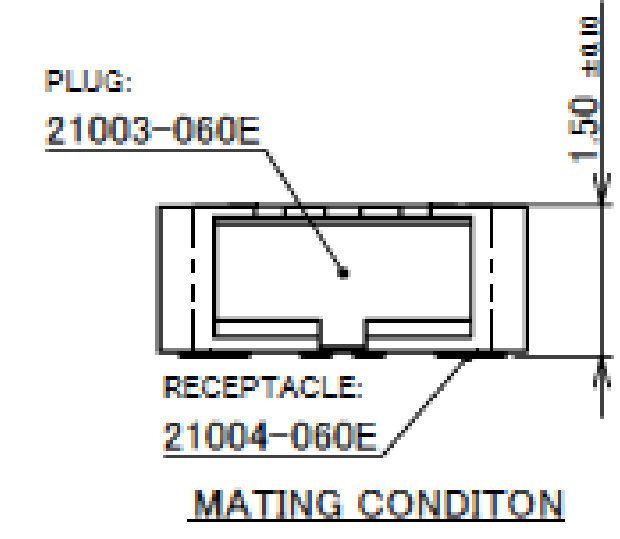
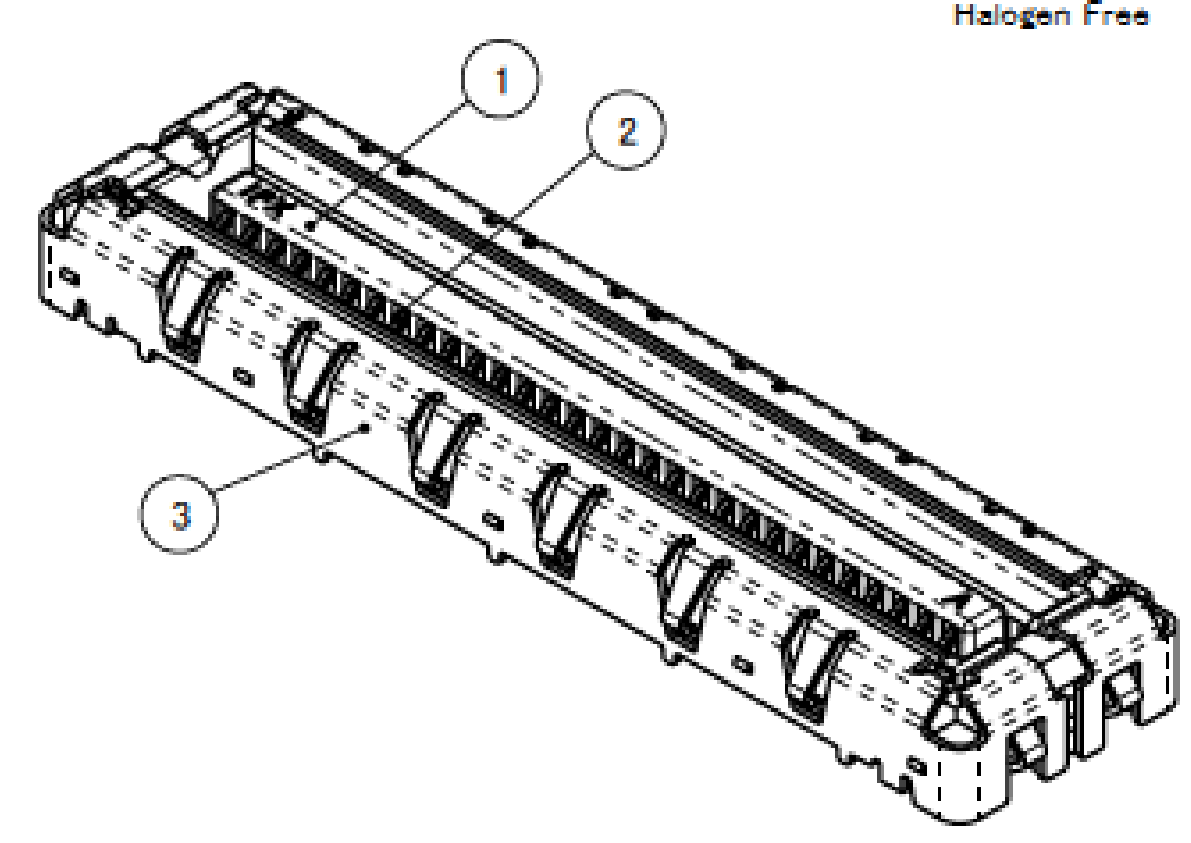
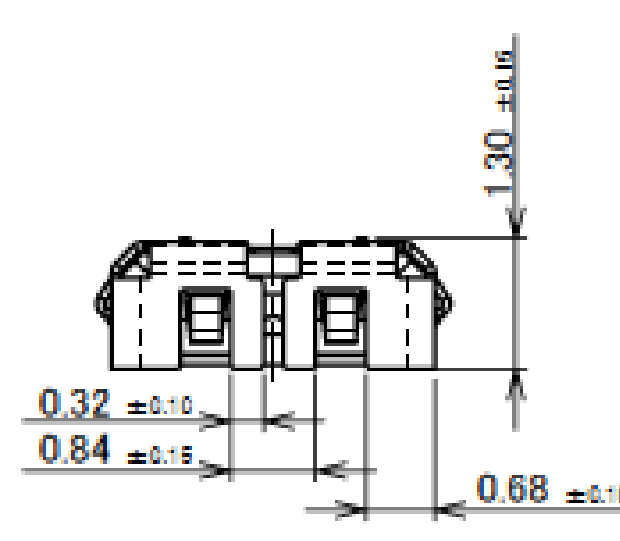
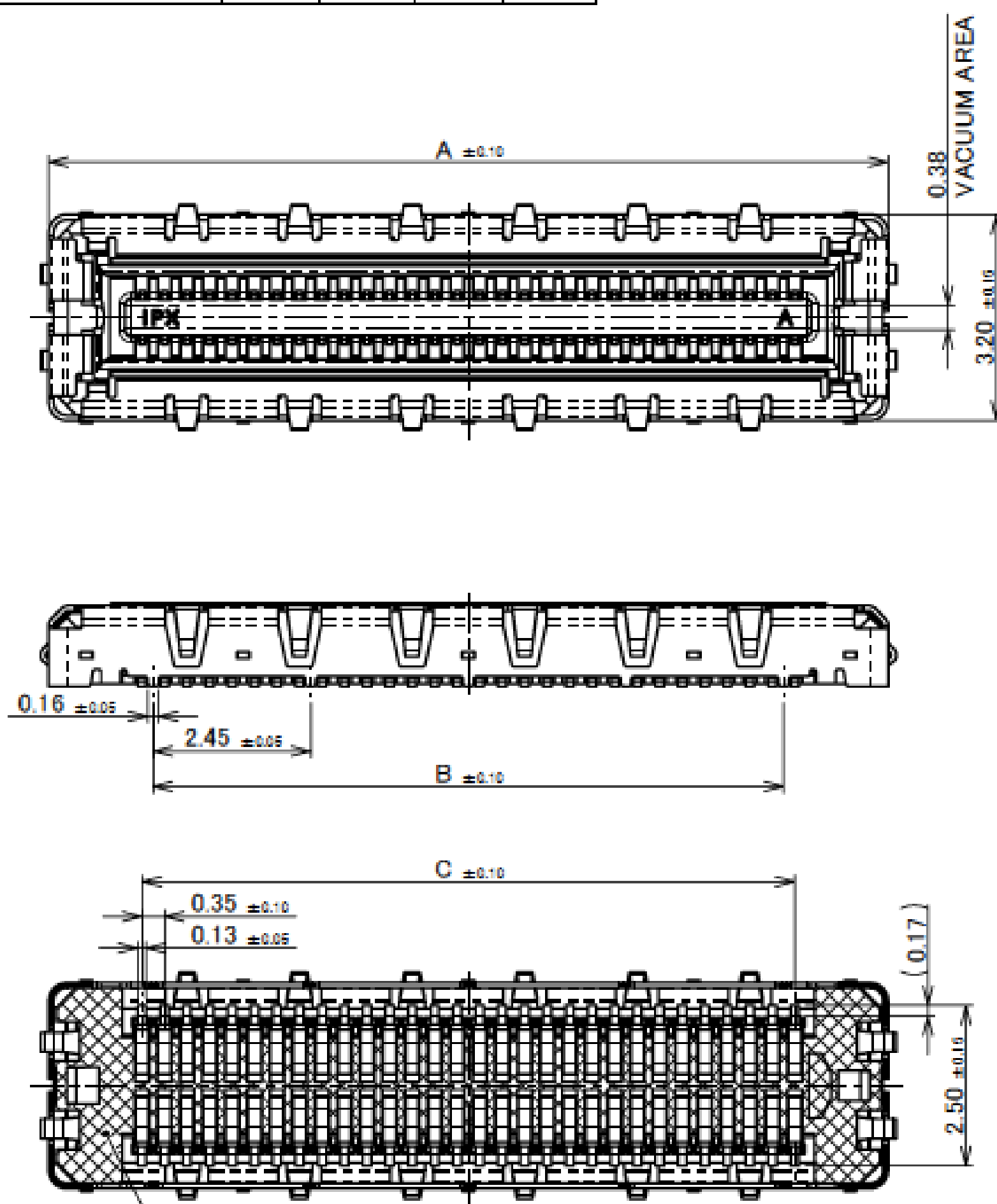
Plug Assembly

ITEMS	SPECIFICATION
APPLICABLE CONNECTOR PART No.	21004-060E
RATING VOLTAGE	60V AC (R.M.S.)/DC (PER CONTACT PIN)
RATING AMPERAGE (FOR SIGNAL CONTACT)	0.5A AC/DC (PER CONTACT PIN)/ 12.0A AC/DC(TOTAL)
OPERATING TEMPERATURE	233~358K(-40°C~+85°C) (CONTANING TEMPERATURE RISE BY CURRENT)
OPERATING HUMIDITY	85% MAX.(NON-CONDENSING)
CONTACT RESISTANCE (FOR SIGNAL CONTACT)	INITIAL : 50mohm MAX. / AFTER TEST : Δ 50mohm MAX.
CONTACT RESISTANCE (FOR GROUND)	INITIAL : 20mohm MAX. / AFTER TEST : Δ 20mohm MAX.
INSULATION RESISTANCE	INITIAL : 1000Mohm MIN. / AFTER TEST : 500Mohm MIN.
DIELECTRIC WITHSTANDING VOLTAGE	AC250V 1min
DURABILITY	20 CYCLES
MATING FORCE (INITIAL / AFTER TEST)	INITIAL 60N MAX.
UNMATING FORCE (INITIAL / AFTER TEST)	20 CYCLES 6.0N MIN.
COPLANARITY	0.10mm MAX.
PRODUCT SPECIFICATION	PRS-2785
TEST REPORT	TR-22021
PACKING STANDARD	PST-21086
INSTRUCTION MANUAL	HIM-21015
APPEARANCE CRITERIA No.	QLS-A***

Rev.1

Receptacle Assembly

Recommended P/N	21004-060E
PART No.	Pos. A B C
21004-060E	60 13.05 9.80 10.15



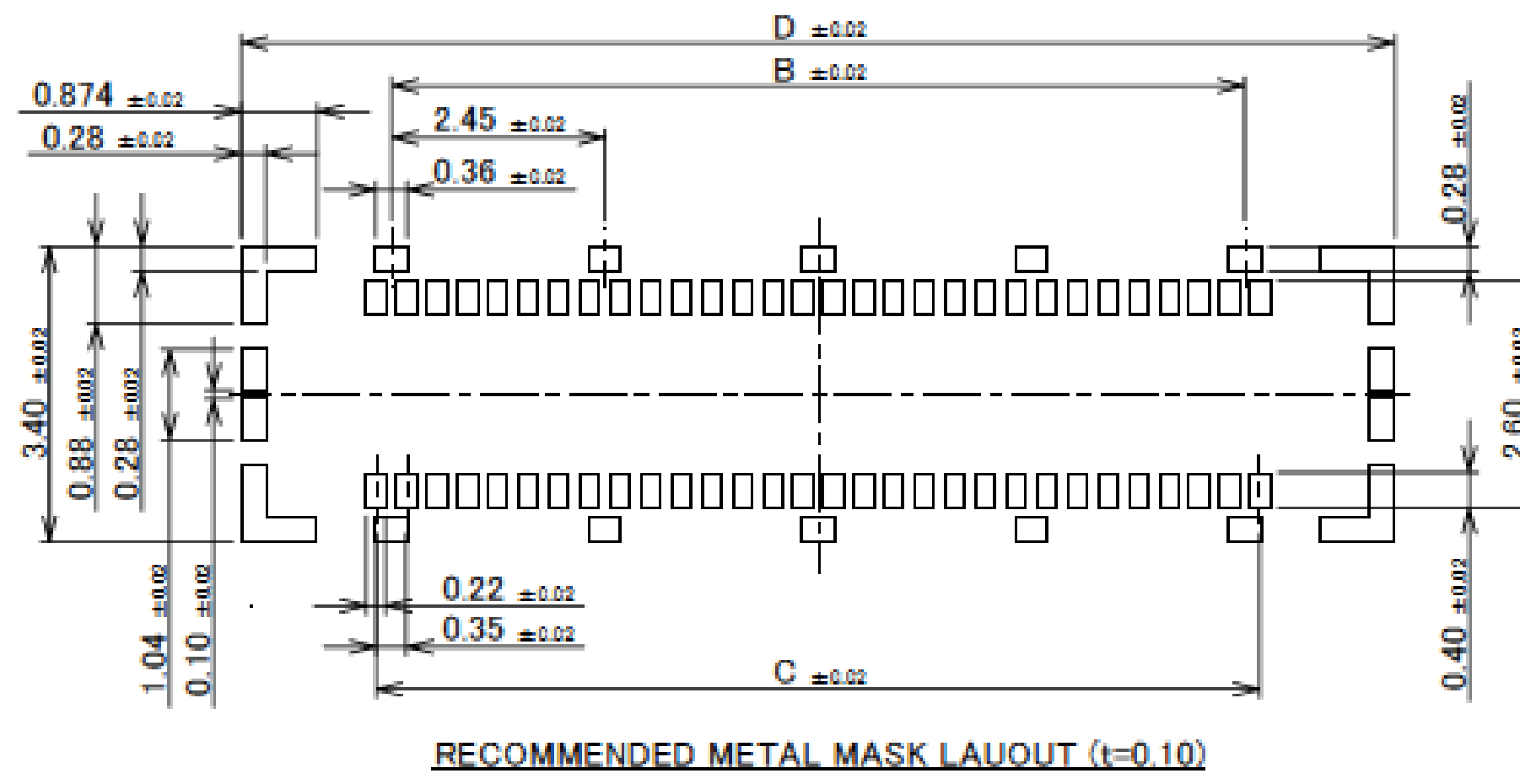
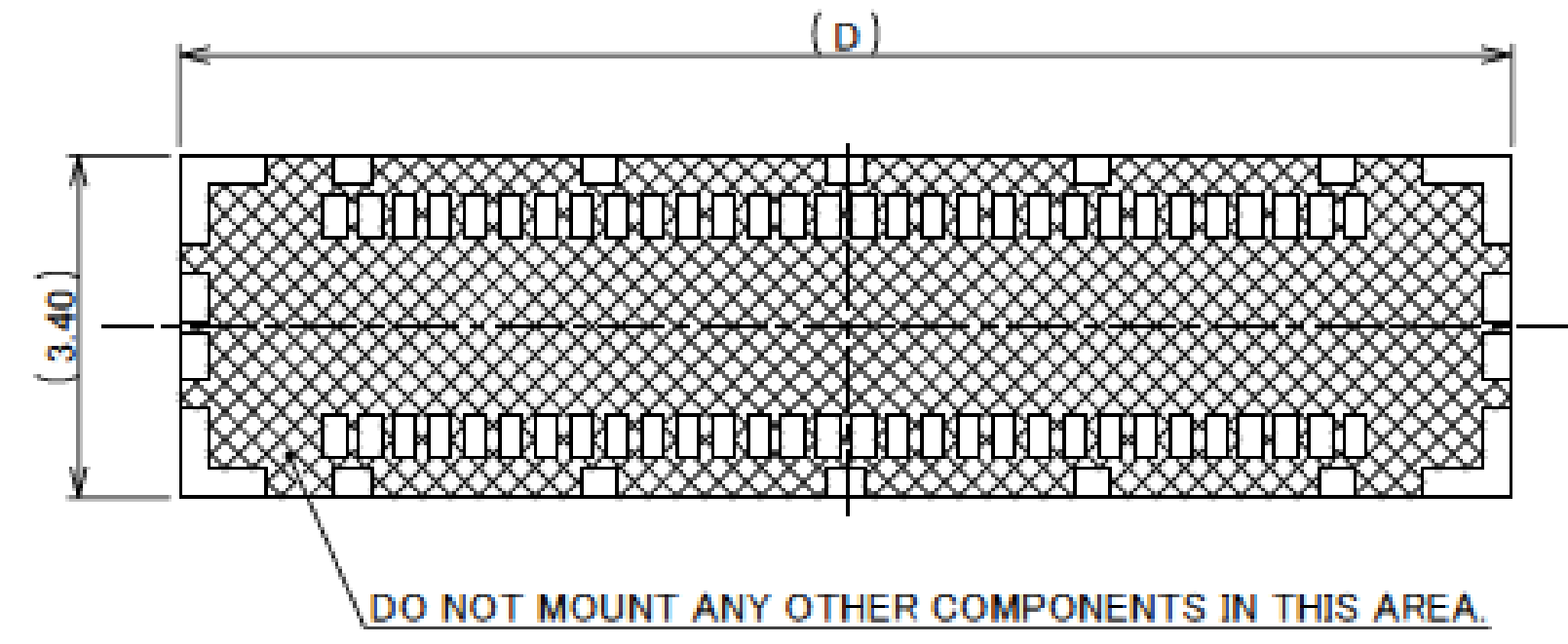
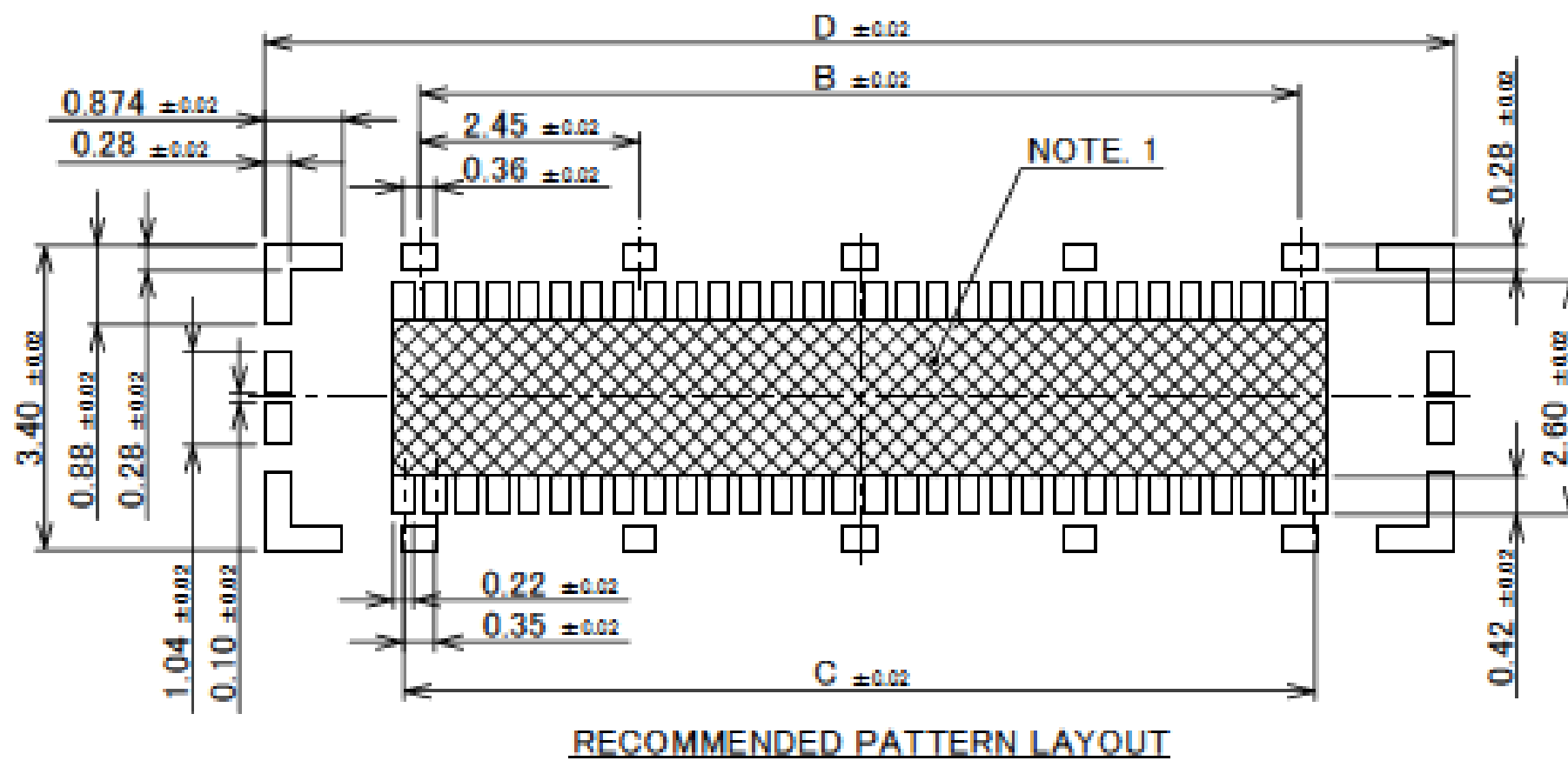
THERE IS A POSSIBILITY OF DENT SHAPE IN THE BOTTOM SURFACE OF HOUSING.

NO.	DESCRIPTION	MATERIAL	FINISH, REMAKS
3	SHELL	CORSON ALLOY	ALL Au 0.01 μ m MIN. OVER Ni 1.27 μ m MIN.
2	CONTACT	CORSON ALLOY	CONTACT AREA: Au 0.13 μ m MIN. OVER Ni 1.27 μ m MIN. SOLDERING AREA: Au 0.02 μ m MIN. OVER Ni 1.27 μ m MIN.
1	HOUSING	LCP	UL94V-0, BLACK

Rev.1

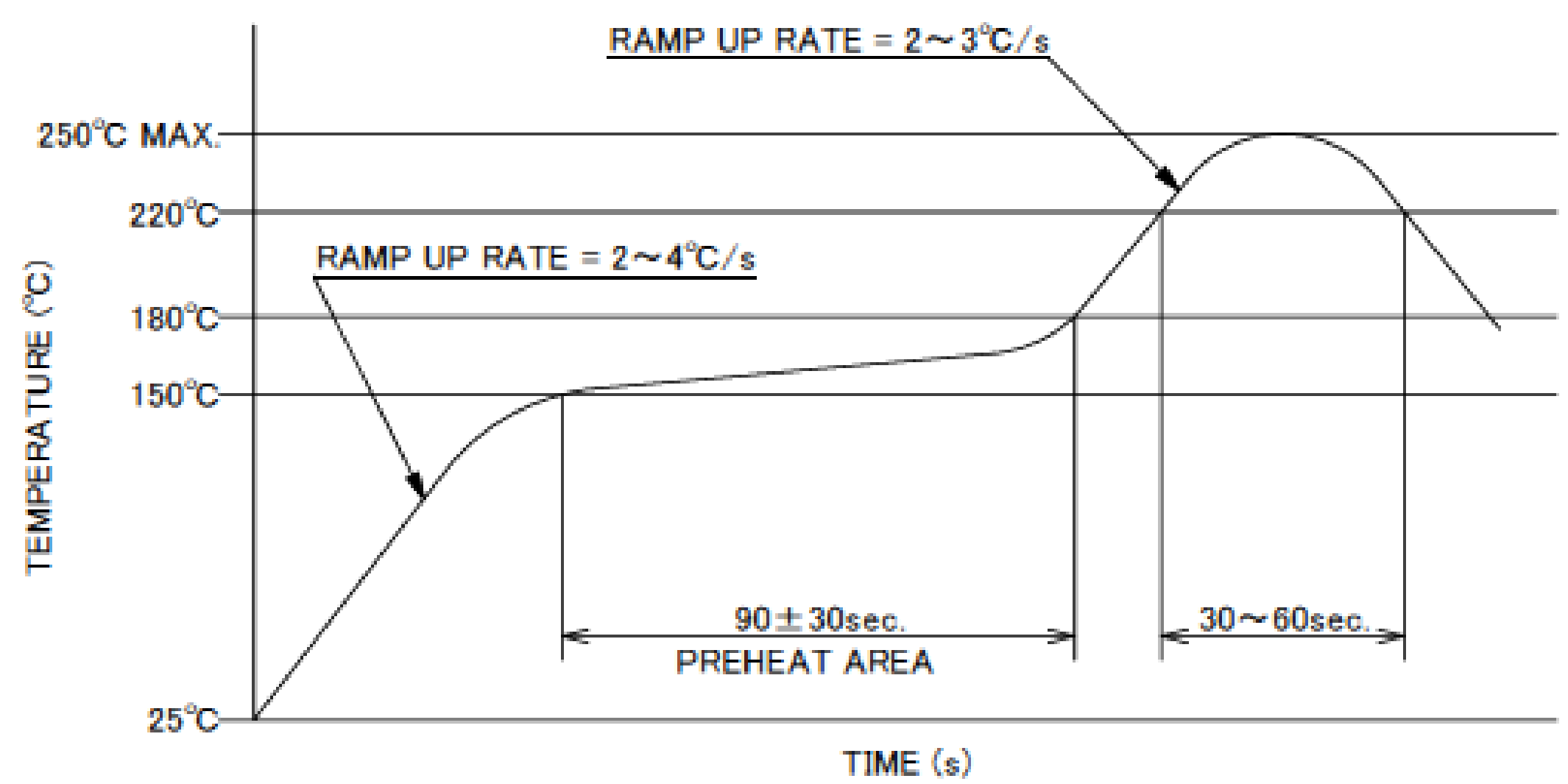
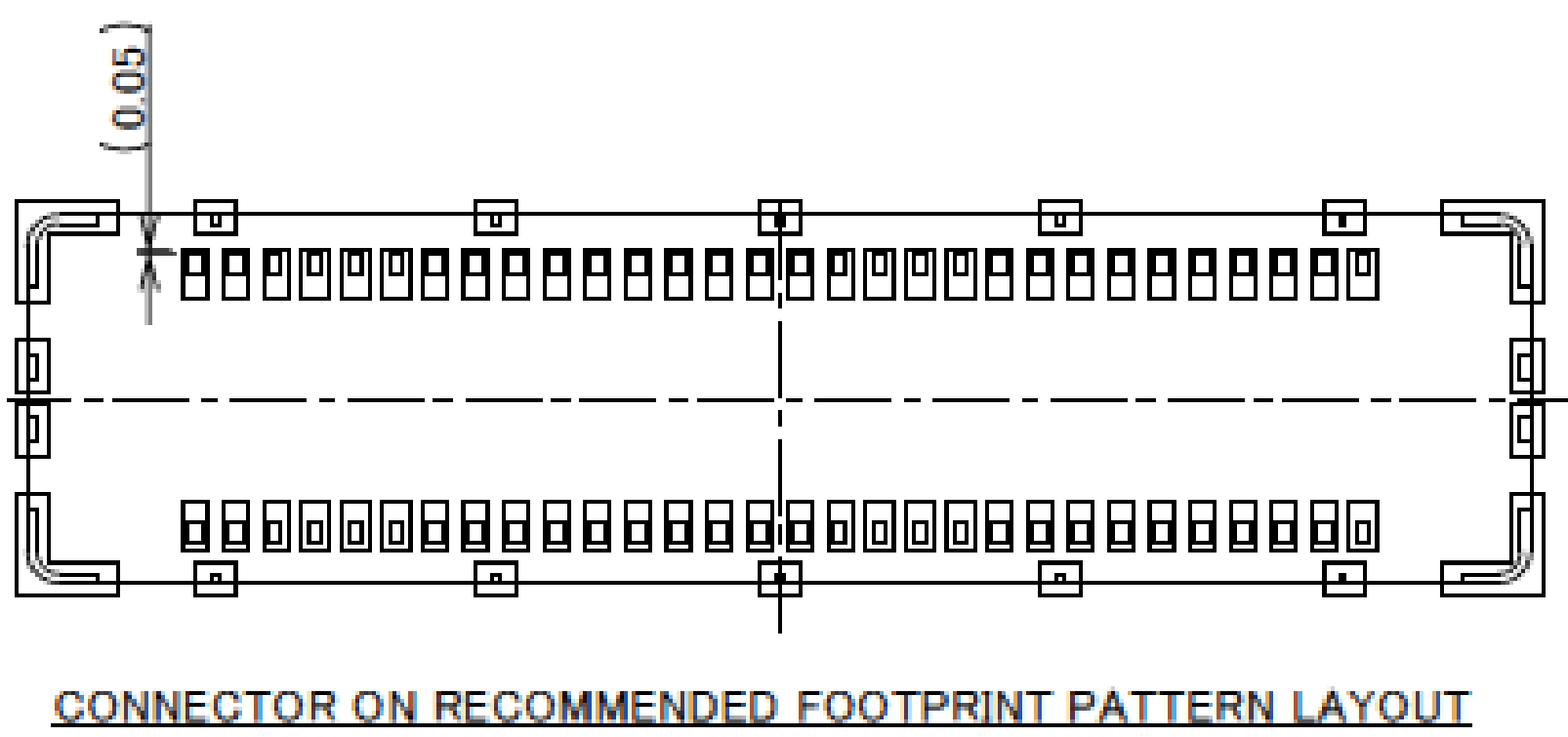
Receptacle Assembly

PART No.	Pos.	B	C	D
21004-060E	60	9.80	10.15	13.25



NOTES.
 1. FOOT PRINT PATTERN PROHIBITION AREA
 SOLDER RESIST MUST BE APPLIED TO THIS HATCHED AREA IF SURFACE TRACES ARE ROUNDED.

Rev.1



SENJU METAL INDUSTRY CO., LTD. : M705-SHF(Sn96.5 Ag3.0 Cu0.5)

Receptacle Assembly

ITEMS	SPECIFICATION
APPLICABLE CONNECTOR PART No.	21003-060E
RATING VOLTAGE	60V AC (R.M.S.)/DC (PER CONTACT PIN)
RATING AMPERAGE (FOR SIGNAL CONTACT)	0.5A AC/DC (PER CONTACT PIN)/ 12.0A AC/DC(TOTAL)
OPERATING TEMPERATURE	233~358K(-40°C~+85°C) (CONTAINING TEMPERATURE RISE BY CURRENT)
OPERATING HUMIDITY	85% MAX.(NON-CONDENSING)
CONTACT RESISTANCE (FOR SIGNAL CONTACT)	INITIAL : 50mohm MAX. / AFTER TEST : Δ 50mohm MAX.
CONTACT RESISTANCE (FOR GROUND)	INITIAL : 20mohm MAX. / AFTER TEST : Δ 20mohm MAX.
INSULATION RESISTANCE	INITIAL : 1000Mohm MIN. / AFTER TEST : 500Mohm MIN.
DIELECTRIC WITHSTANDING VOLTAGE	AC250V 1min
DURABILITY	20 CYCLES
MATING FORCE (INITIAL / AFTER TEST)	INITIAL 60N MAX.
UNMATING FORCE (INITIAL / AFTER TEST)	20 CYCLES 6.0N MIN.
COPLANARITY	0.10mm MAX.
PRODUCT SPECIFICATION	PRS-2785
TEST REPORT	TR-22021
PACKING STANDARD	PST-21087
INSTRUCTION MANUAL	HIM-21015
APPEARANCE CRITERIA No.	QLS-A***

Rev.1

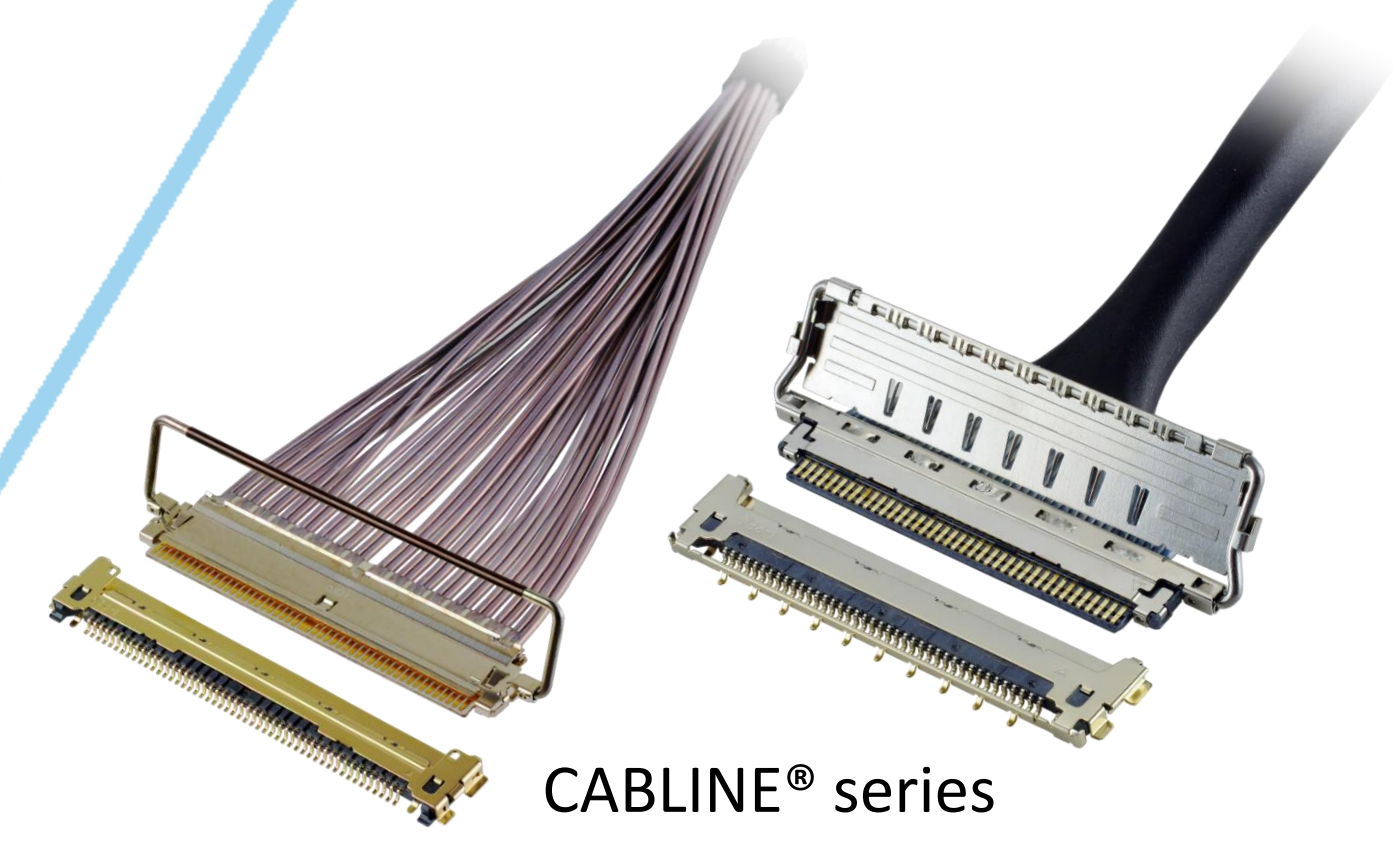
Custom Connectors Available

 RF Connector

MHF® series



CABLINÉ® series
Micro-coaxial/Twinax/
Discrete Wire Connector



Optical Module

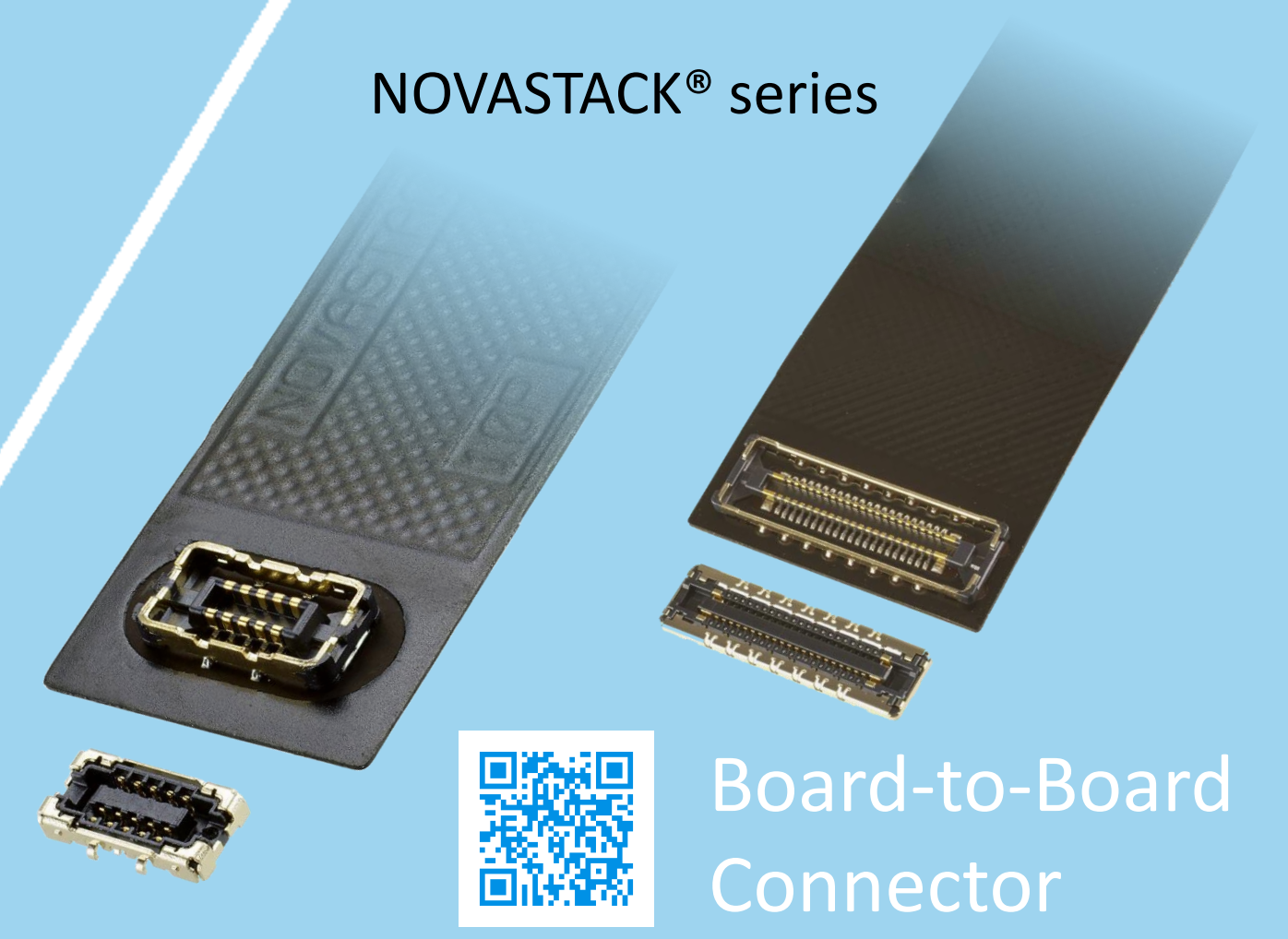
LIGHTPASS® series



NOVASTACK® series



Board-to-Board Connector



Power Connector/
Terminal

AP series

ISH® series



MINIFLEX® series

EVAFLEX® series



FPC FFC Connector



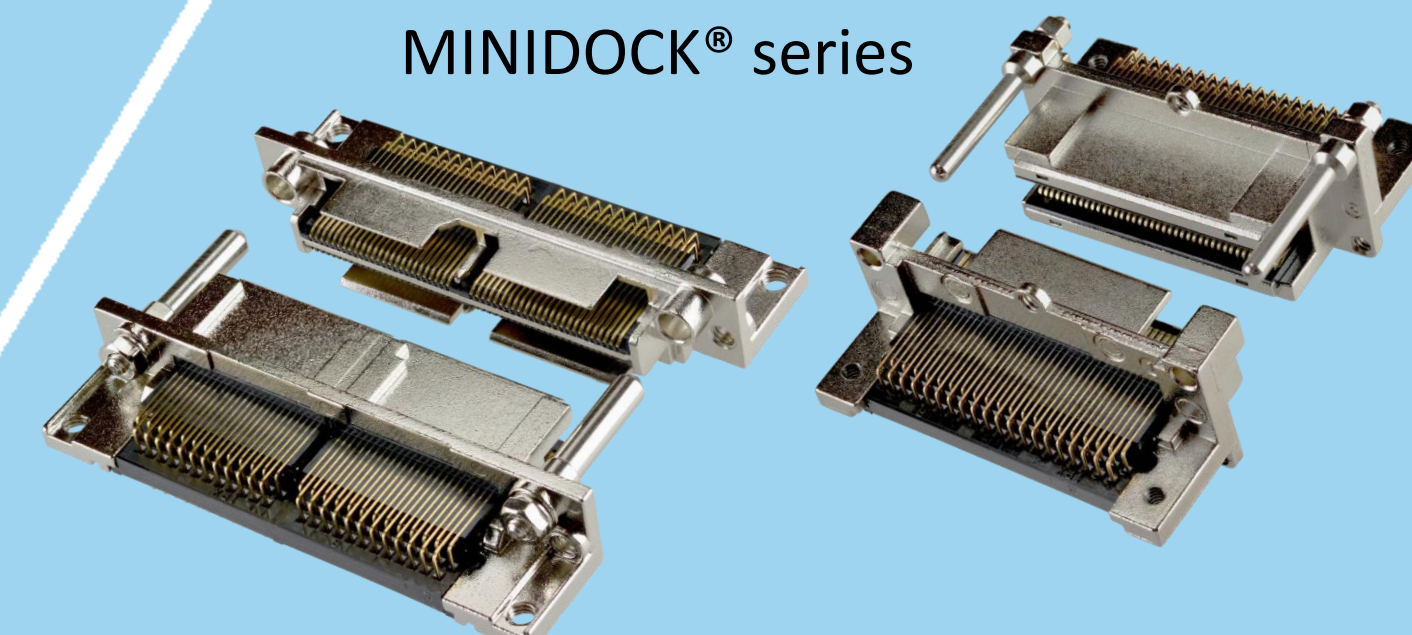
Inquiry



MINIDOCK® series



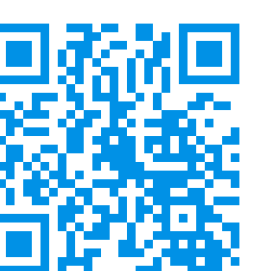
I/O Connector



I-PEX, MHF, CABLINE, LIGHTPASS, NOVASTACK, ISH, IARPB, MINIFLEX, EVAFLEX, MINIDOCKS and ZenShield are registered trademarks of I-PEX Inc. Please note that the contents in the catalog might be changed without prior notification. I-PEX Inc. assumes no responsibility for any inaccuracies or obligation to update information on these documents. Please be sure to read and understand the latest "Precautions for Use" and "Instruction Manual" before you use our products. We shall not be responsible for any defects, damages or troubles in case you use our products without following the precautions for use. Please feel free to contact our sales representatives when you use our products for any applications that require very high reliability and safety, or that relate to human life (ex. nuclear power control, aerospace, transportation, medical equipment, safety equipment etc.).

Contact your sales representative or more detailed information.

www.i-pex.com



I-PEX

© I-PEX Inc. 2024
All rights reserved