

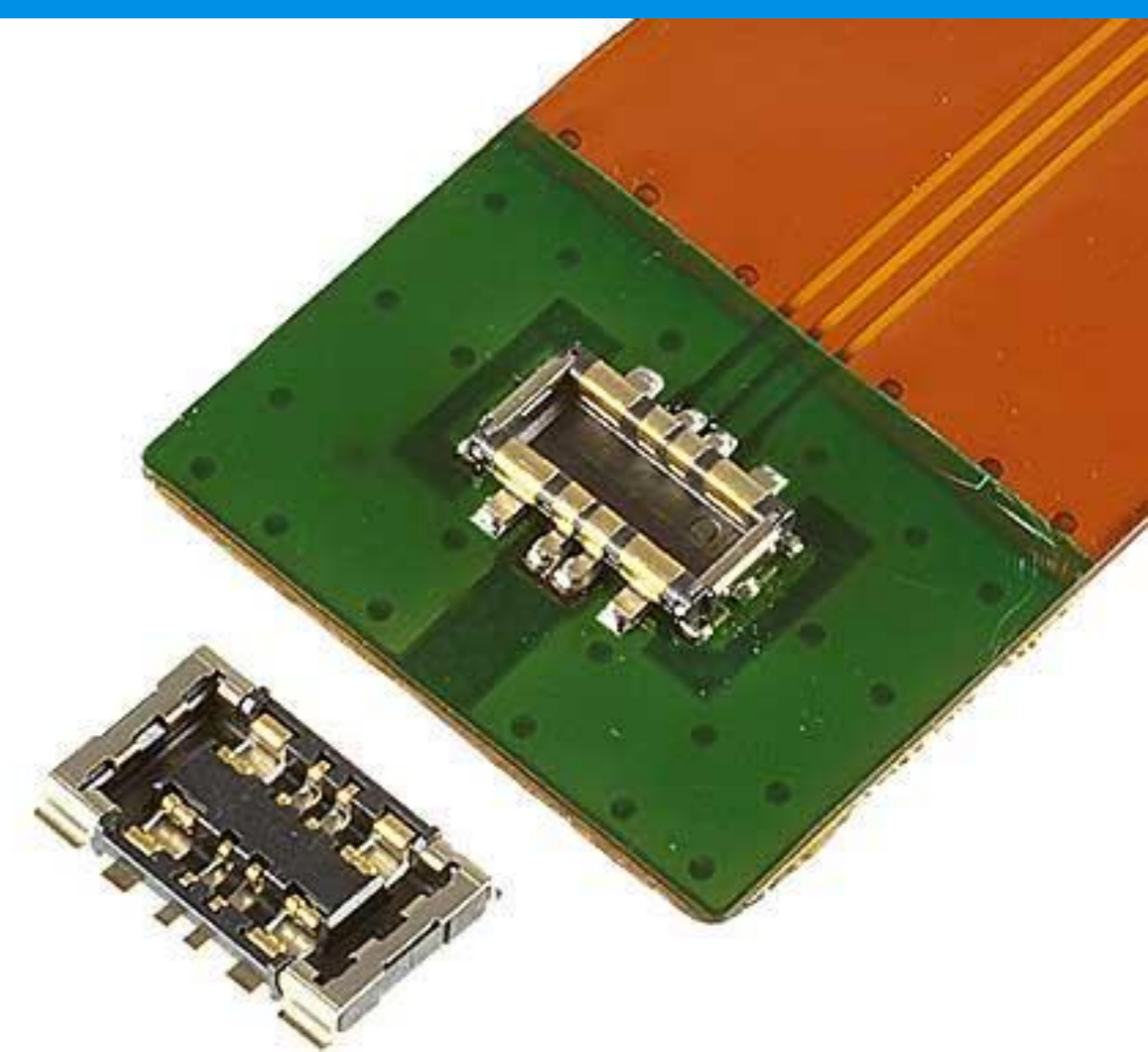
NOVASTACK®-B

バッテリー接続対応(6Ax4pin)の堅牢なコネクタ、0.4 mm ピッチ、嵌合高さ 0.6 mm、奥行 2.6 mm

Product Specifications:

Board Pitch (mm)	0.4 (signal), 1.7 (power)	
Wiping Length (mm)	0.1	
Mated Size (mm)	Height	0.6 +/- 0.1
	Width	Formula: 3.20 +(0.4*? p/2)
	Depth	2.6
Current Rating	Signal	1.0 A/pin
	Power	6.0 A/pin x 4
Pin Counts	Range	2 - 4 (signal)+ 4 (power)
	Available	4 + 4

*記載のない極数の対応状況についてはお問い合わせください。



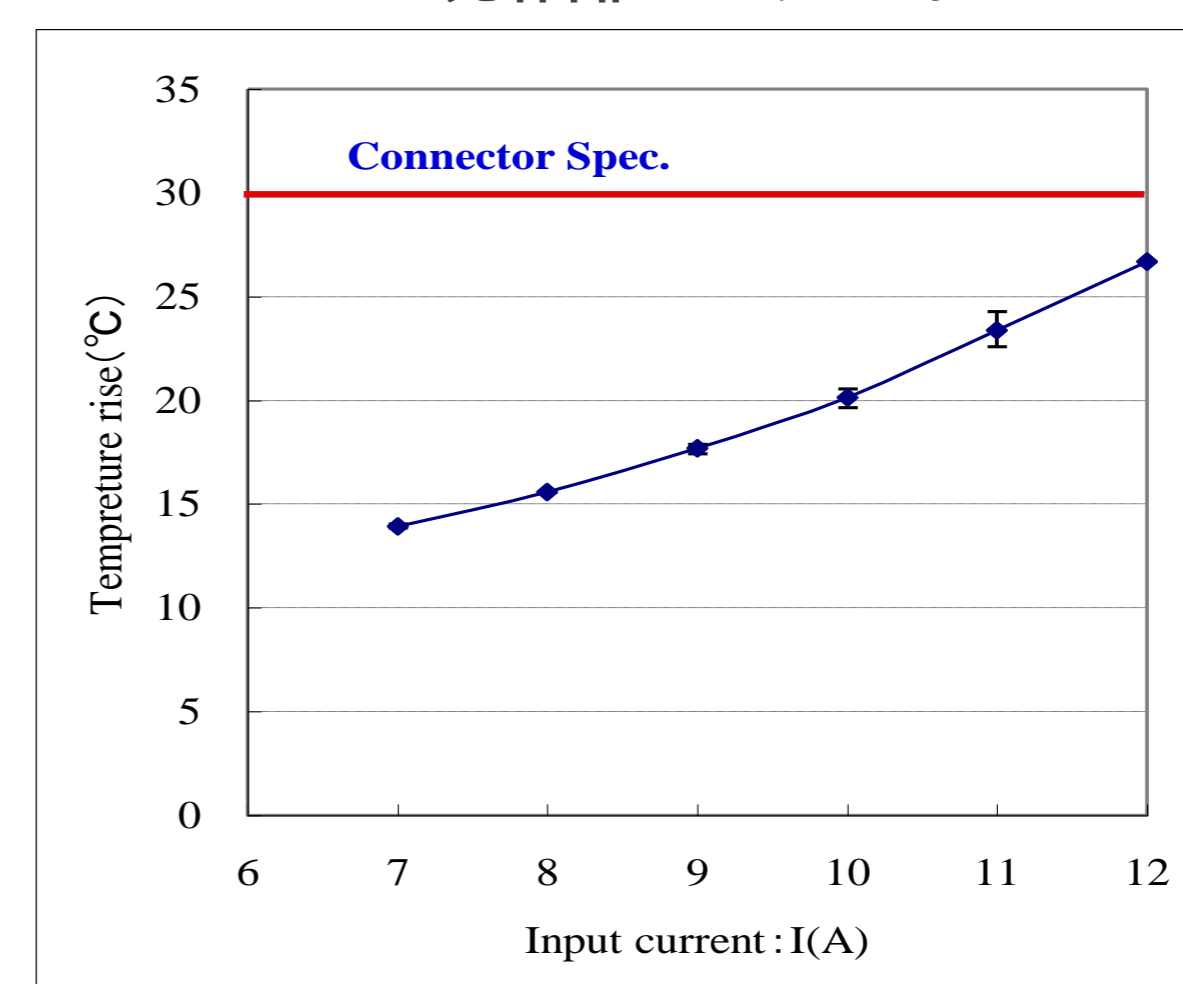
▶ 6.0 A x 4 pin (USB Power Delivery) の高電流対応

温度上昇SPEC: $\Delta T=30\text{ }^{\circ}\text{C MAX (12.0 A)}$

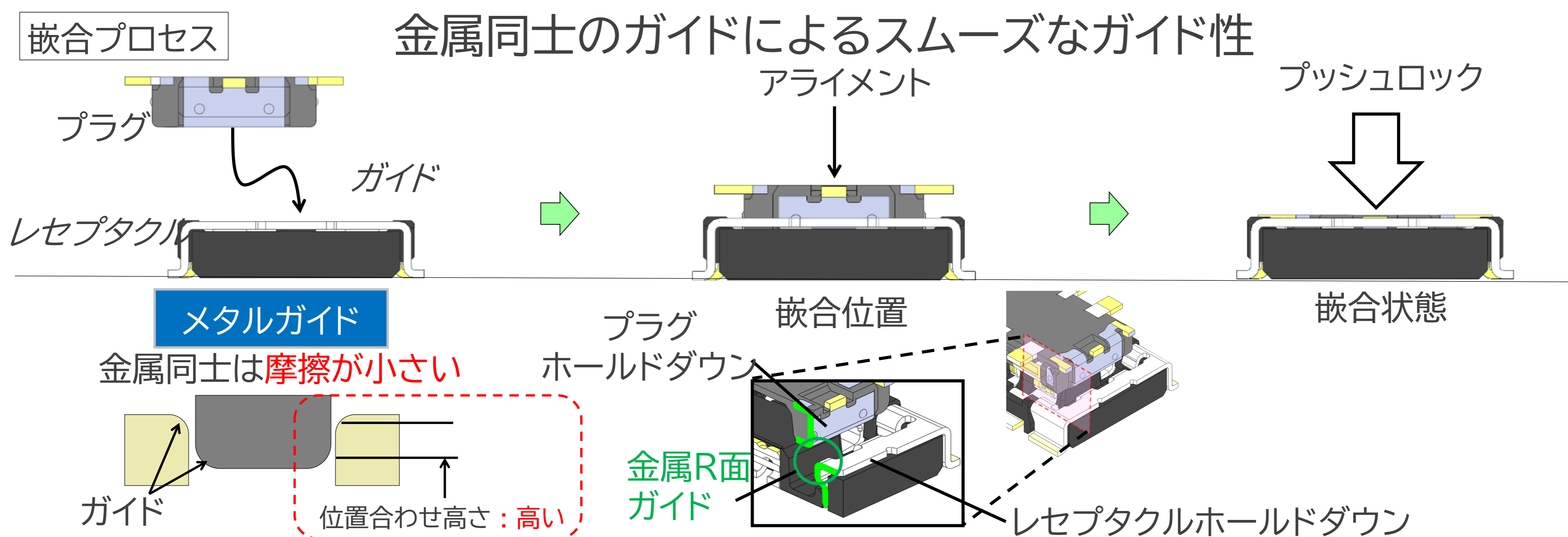
印加電流	電源ピン=7.0~12.0 A / 信号ピン:1.0 A
インプット	

<テスト結果>

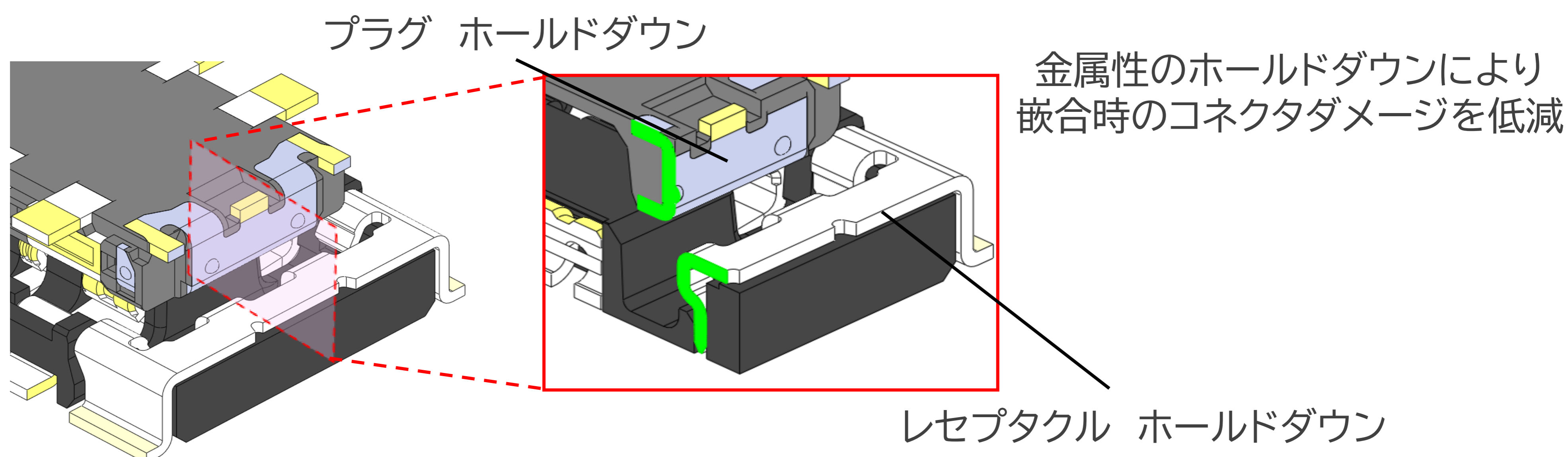
12 A印加時温度変化=27.1°C
12 Aを規格値とする。



▶ メタルガイドによるスムーズな嵌合作業性を実現



▶ ホールドダウンによる高い堅牢性



Component Parts Details

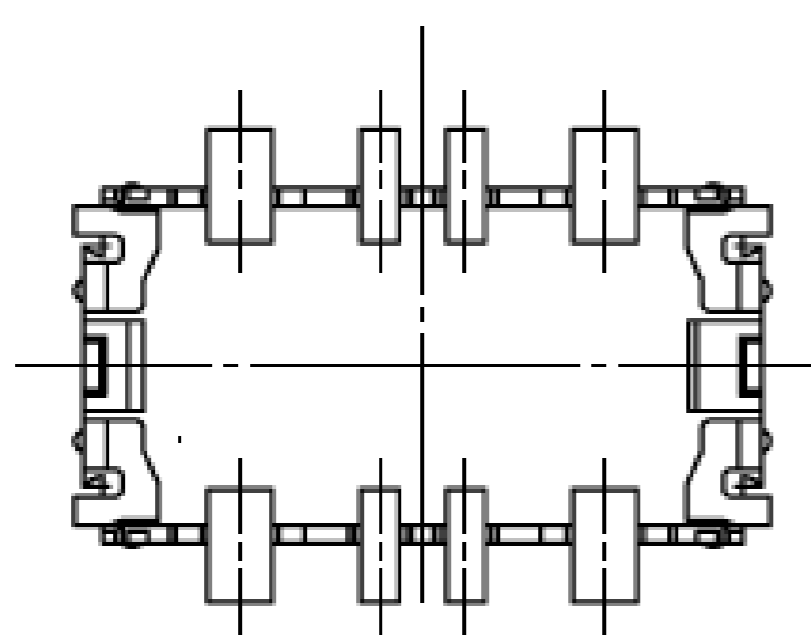
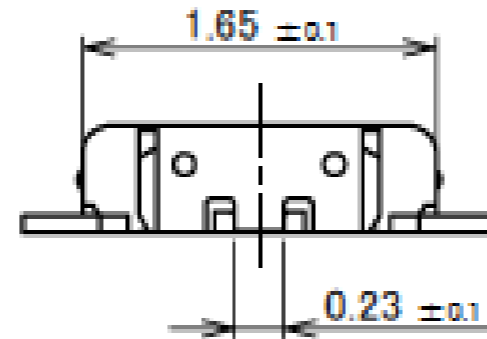
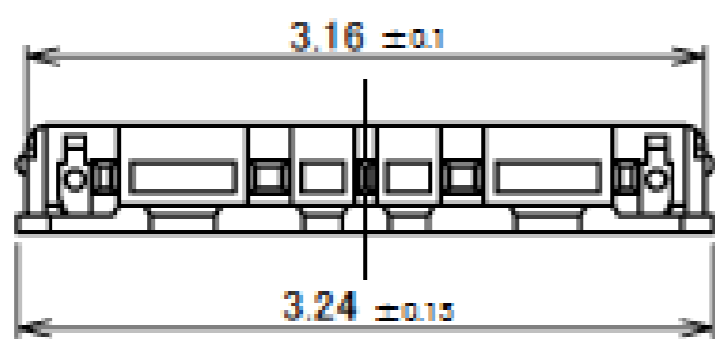
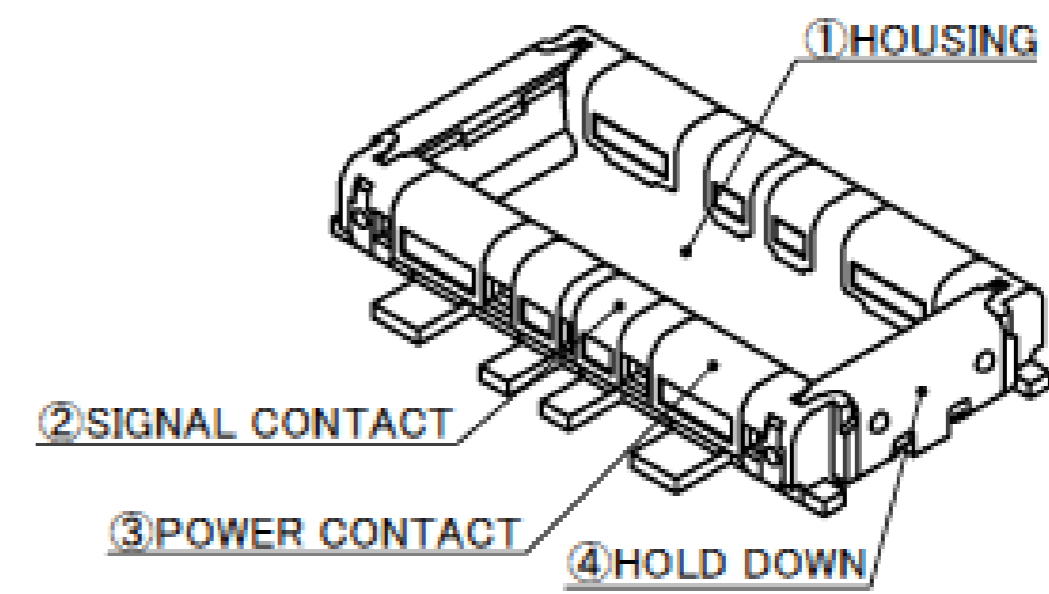
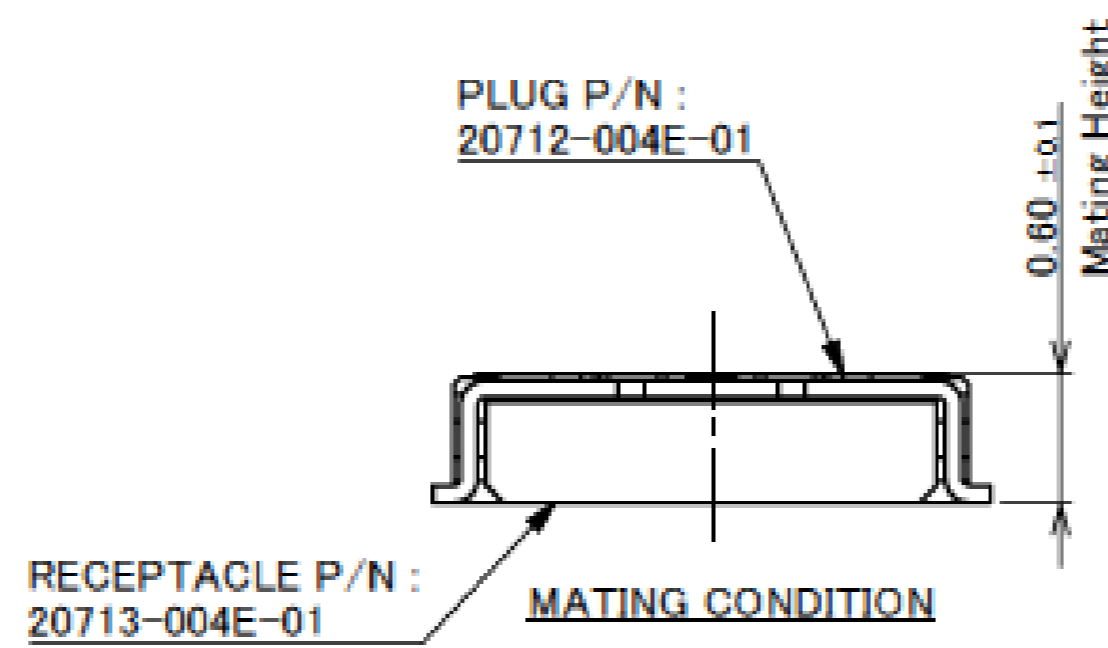
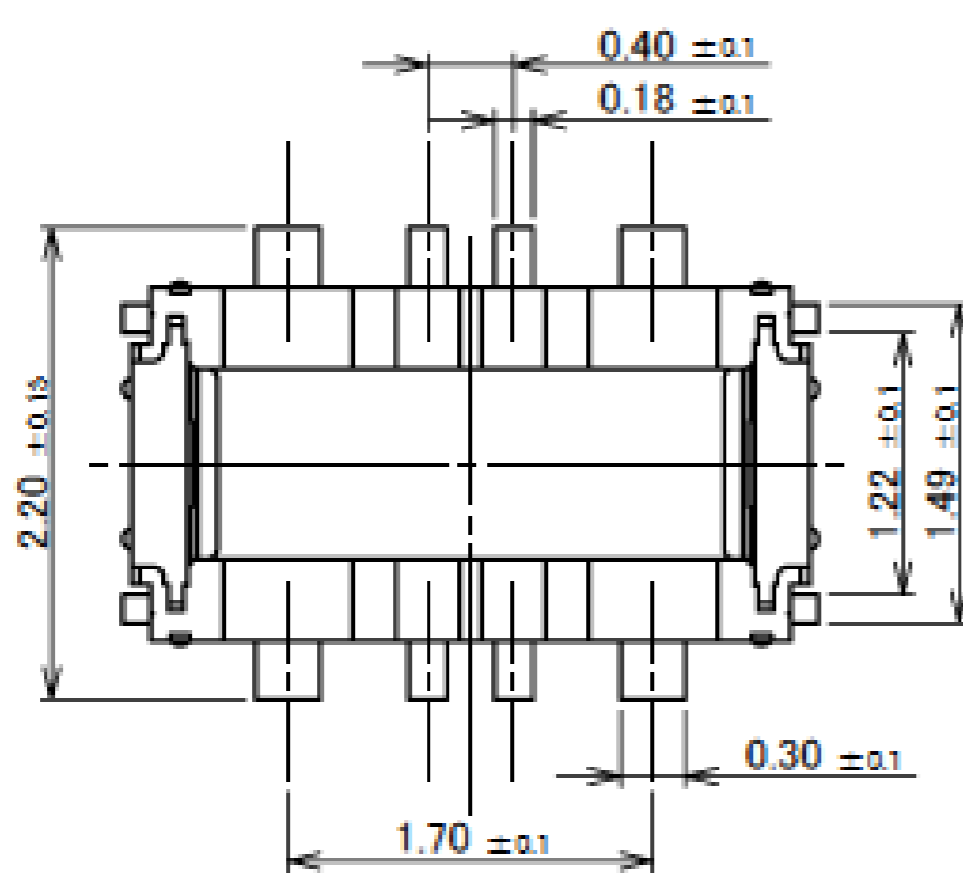
Rev.#

Plug Assembly

Recommended P/N		20712-004E-01
PART No.	Q'ty/REEL	
20712-004E-01	20K	
20712-004E-02	5K	



Halogen Free RoHS Compliant

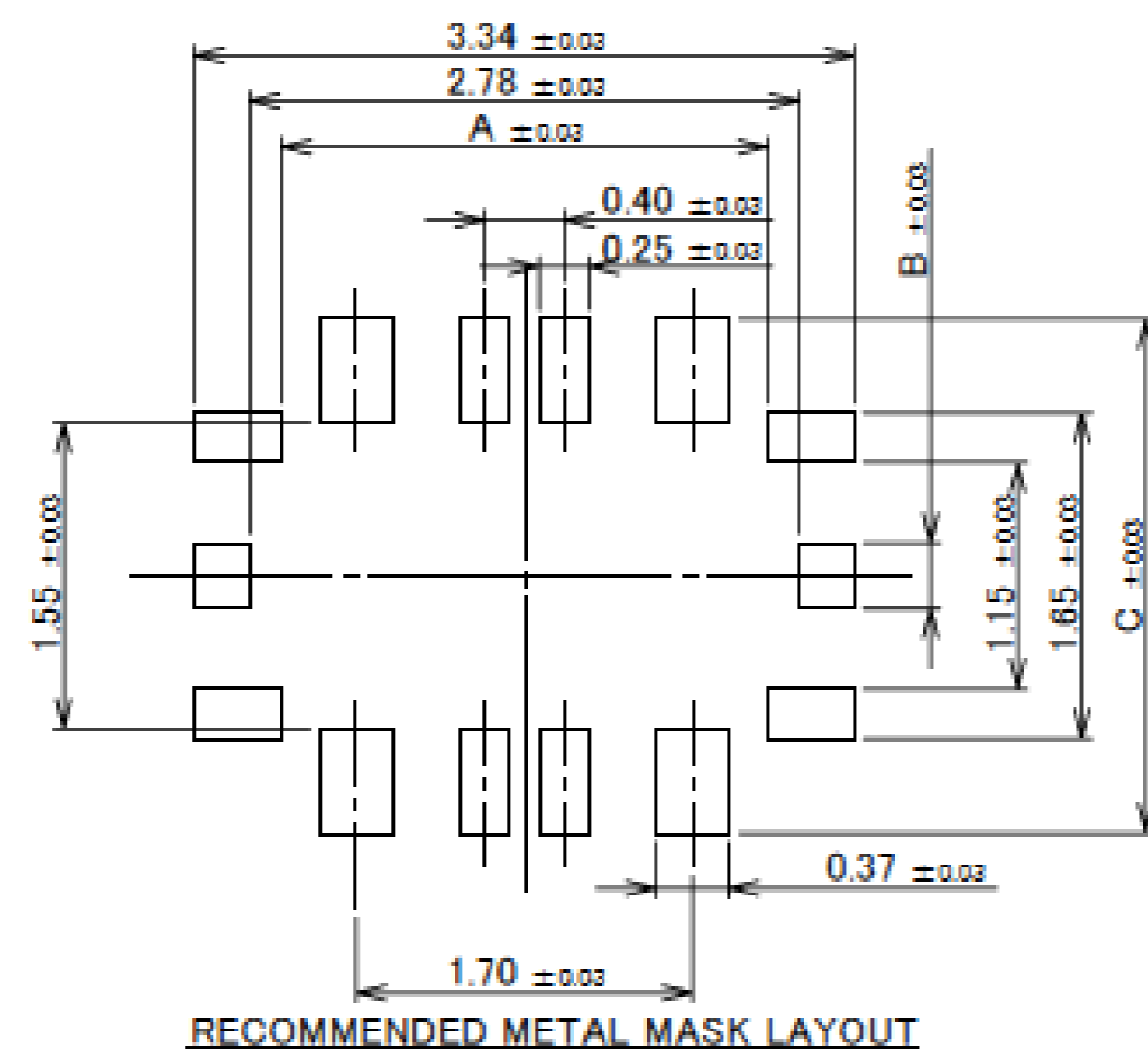
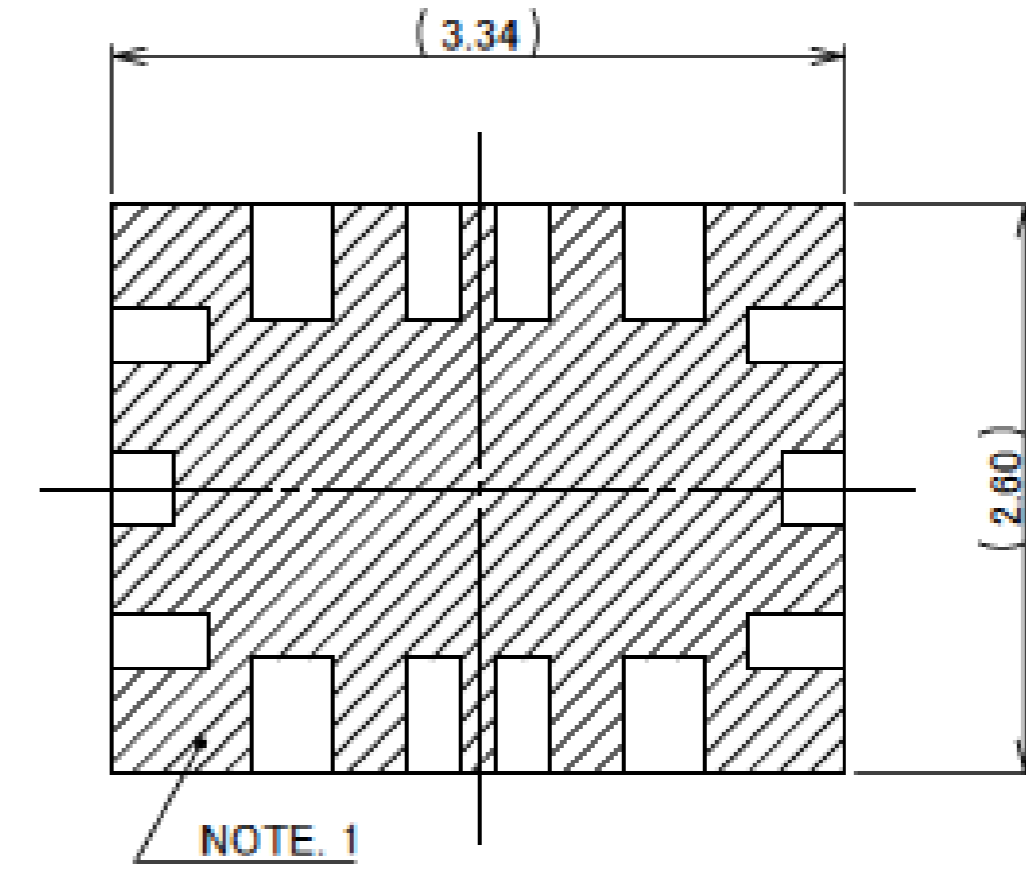
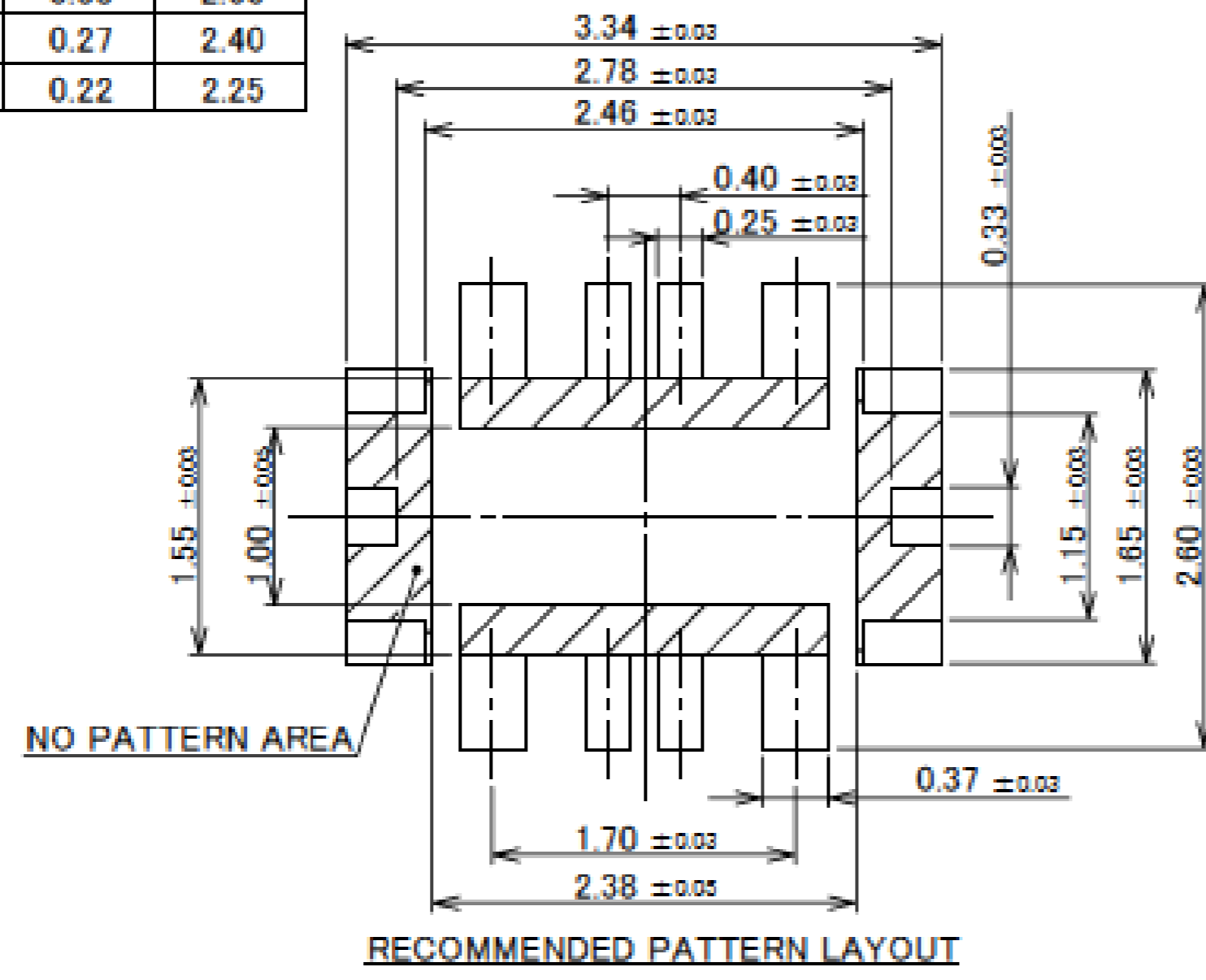


4	HOLD DOWN	PHOSPHOR BRONZE	ALL OVER Ni 1.27 μ m MIN. SOLDERING PART Au 0.02 μ m MIN.
3	POWER CONTACT	CORSON ALLOY	ALL OVER Ni 1.27 μ m MIN. CONTACT PART Au 0.05 μ m MIN./ SOLDERING PART Au 0.02 μ m MIN.
2	SIGNAL CONTACT	CORSON ALLOY	ALL OVER Ni 1.27 μ m MIN. CONTACT PART Au 0.05 μ m MIN./ SOLDERING PART Au 0.02 μ m MIN.
1	HOUSING	LCP	UL94V-0, BLACK
NO.	DISCRIPTION	MATERIAL	FINISH , REMARKS

Rev.5

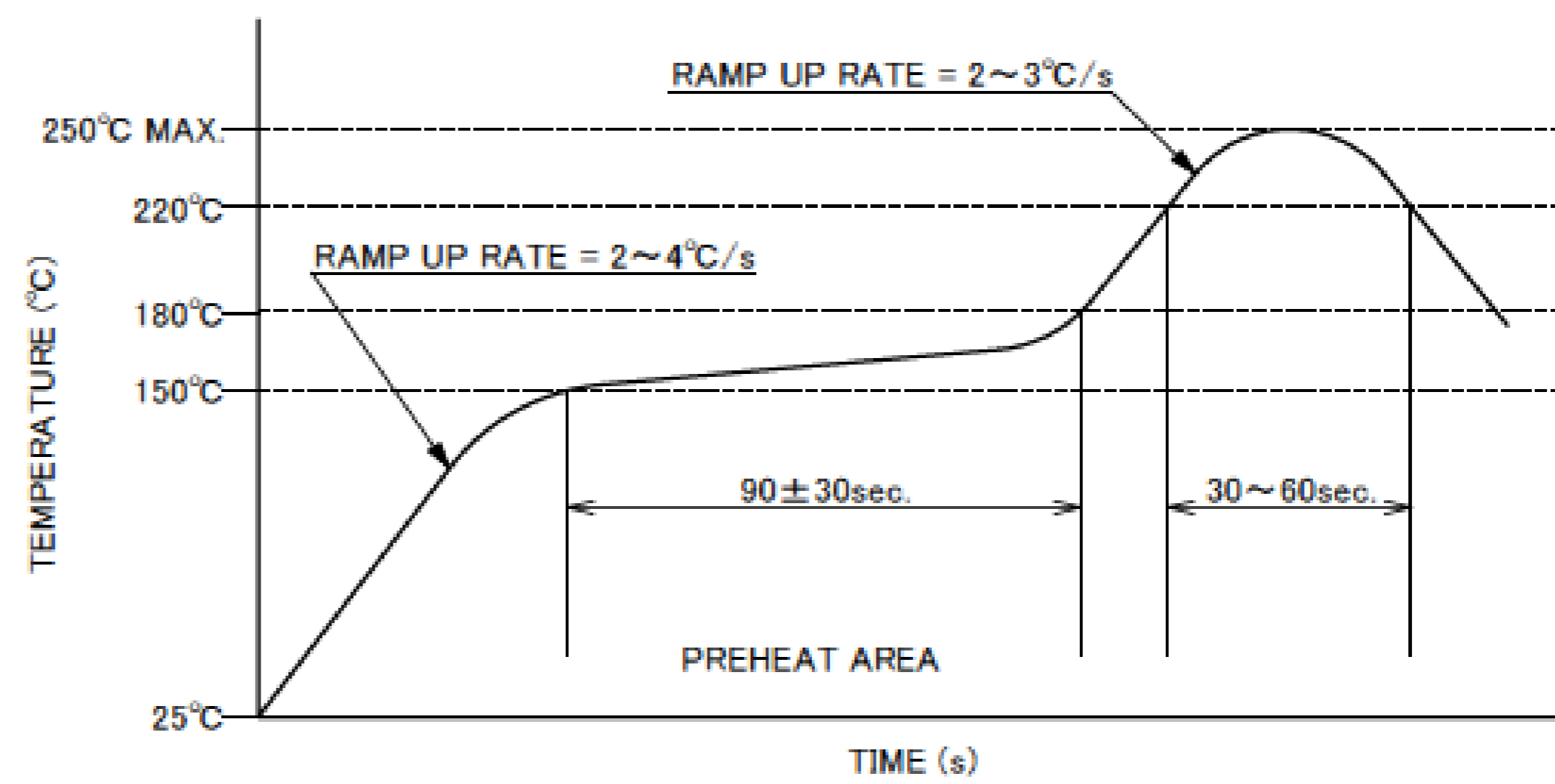
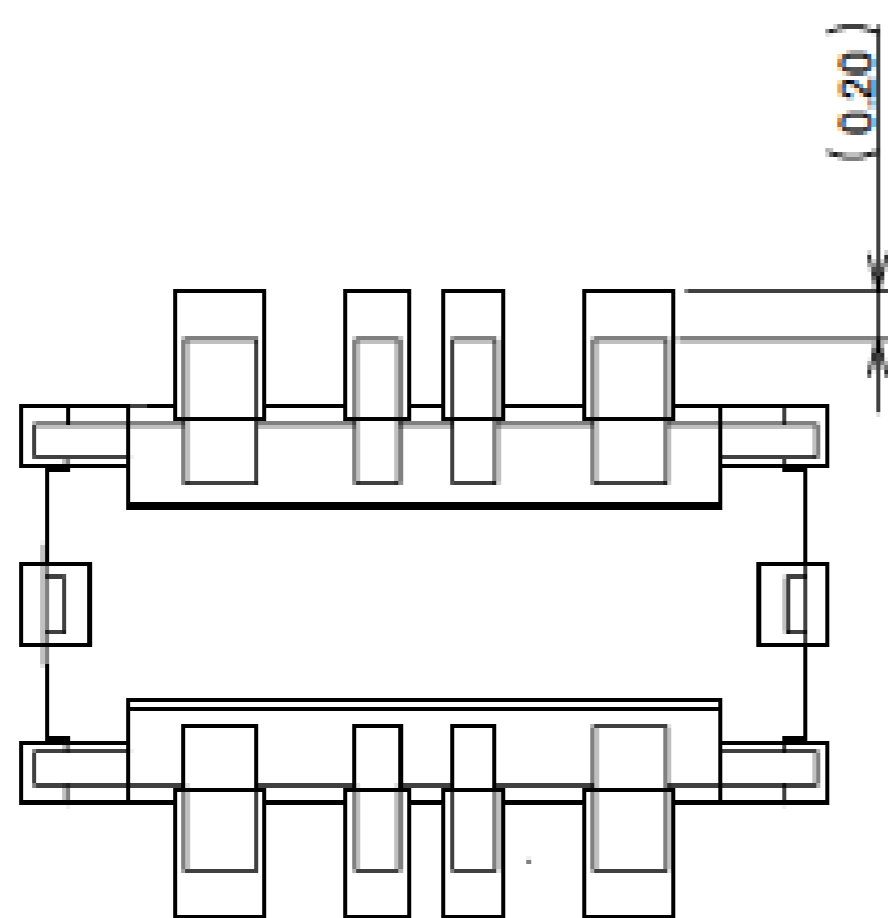
Plug Assembly

MASK THICKNESS	A	B	C
t=0.08	2.46	0.33	2.60
t=0.1	2.63	0.27	2.40
t=0.12	2.75	0.22	2.25



NOTES.
1. THIS AREA CANNOT MOUNT ANOTHER COMPONENTS.

Rev.5



SENJU METAL INDUSTRY CO., LTD. : M705-SHF(Sn96.5 Ag3.0 Cu0.5)

Plug Assembly

ITEMS	SPECIFICATION
APPLICABLE CONNECTOR PART No.	20713-004E-0*
RATING VOLTAGE	50V AC (PER CONTACT PIN)
RATING AMPERAGE (FOR SIGNAL CONTACT)	1.0A AC/DC (PER CONTACT PIN)/ 4.0A AC/DC(TOTAL)
RATING AMPERAGE (FOR POWER CONTACT)	6.0A AC/DC (PER CONTACT PIN)/ 24.0A AC/DC(TOTAL)
OPERATING TEMPERATURE	233~358K(-40°C~+85°C)
OPERATING HUMIDITY	85% MAX.(NON-CONDENSING)
CONTACT RESISTANCE (FOR SIGNAL CONTACT)	INITIAL : 40mohm MAX. / AFTER TEST : Δ 20mohm MAX.
CONTACT RESISTANCE (FOR POWER CONTACT)	INITIAL : 20mohm MAX. / AFTER TEST : Δ 20mohm MAX.
INSULATION RESISTANCE	INITIAL : 1,000Mohm MIN. / AFTER TEST : 100Mohm MIN.
DIELECTRIC WITHSTANDING VOLTAGE	AC250V 1min
DURABILITY	30 CYCLES
MATING FORCE (INITIAL / AFTER TEST)	40N MAX.
UNMATING FORCE (INITIAL / AFTER TEST)	INITIAL: 10N MIN. AFTER TEST: 7N MIN.
COPLANARITY	0.08 MAX.
PRODUCT SPECIFICATION	PRS-2284
TEST REPORT	TR-16098
PACKING STANDARD	PST-15122 (20K/REEL) PST-16056 (5K/REEL)
INSTRUCTION MANUAL	HIM-16033
APPEARANCE CRITERIA No.	QLS-A***

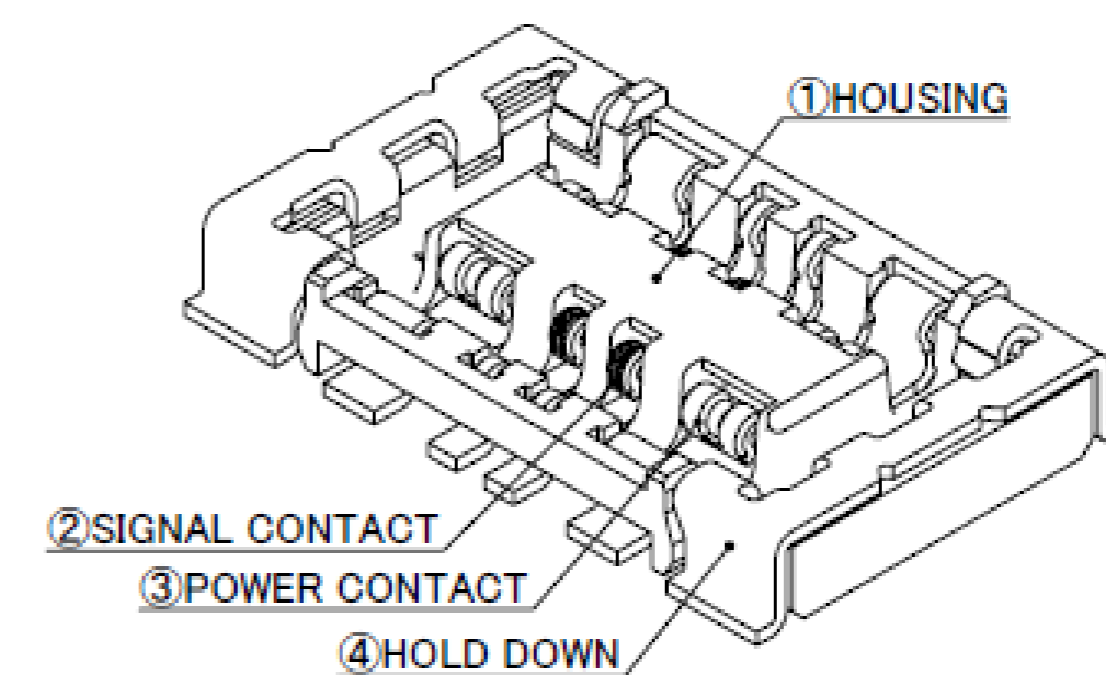
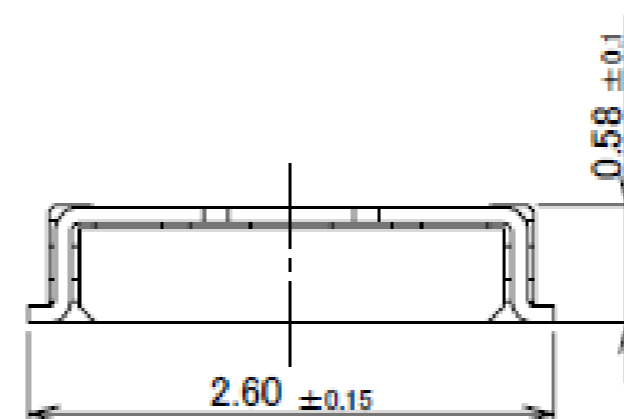
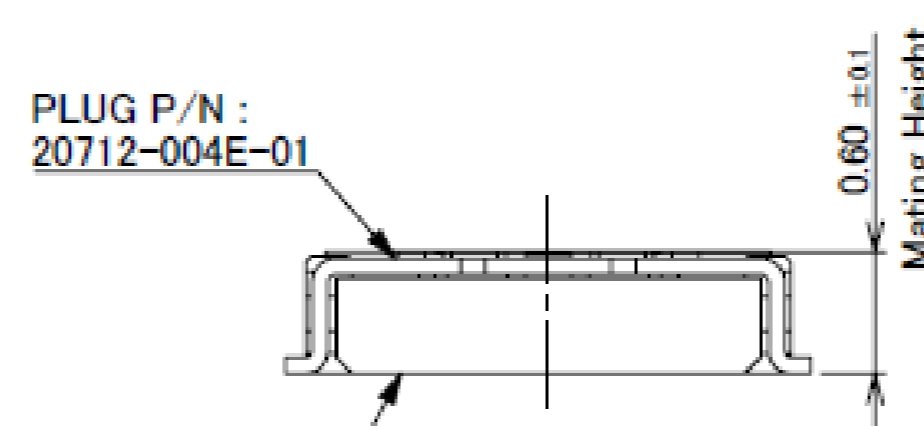
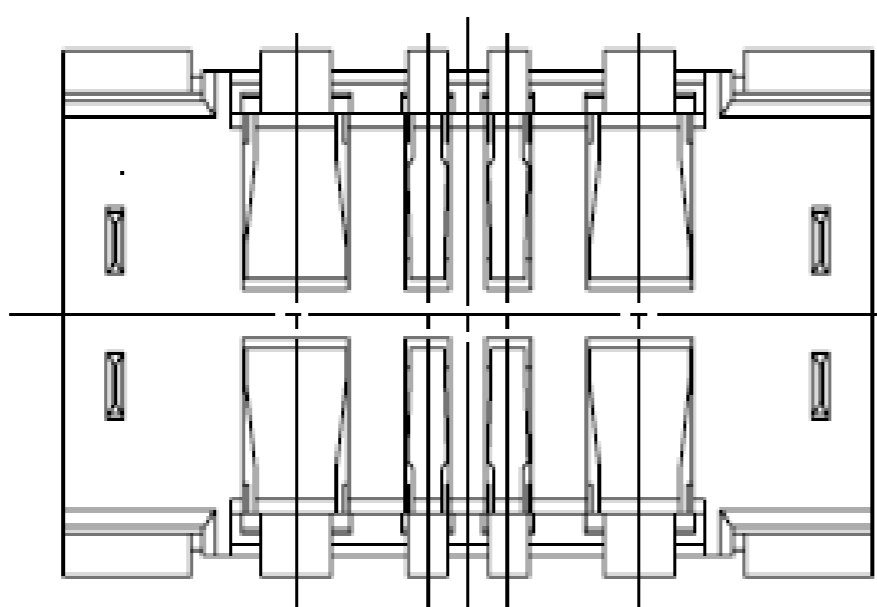
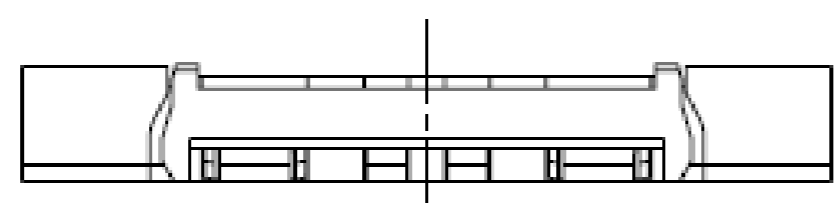
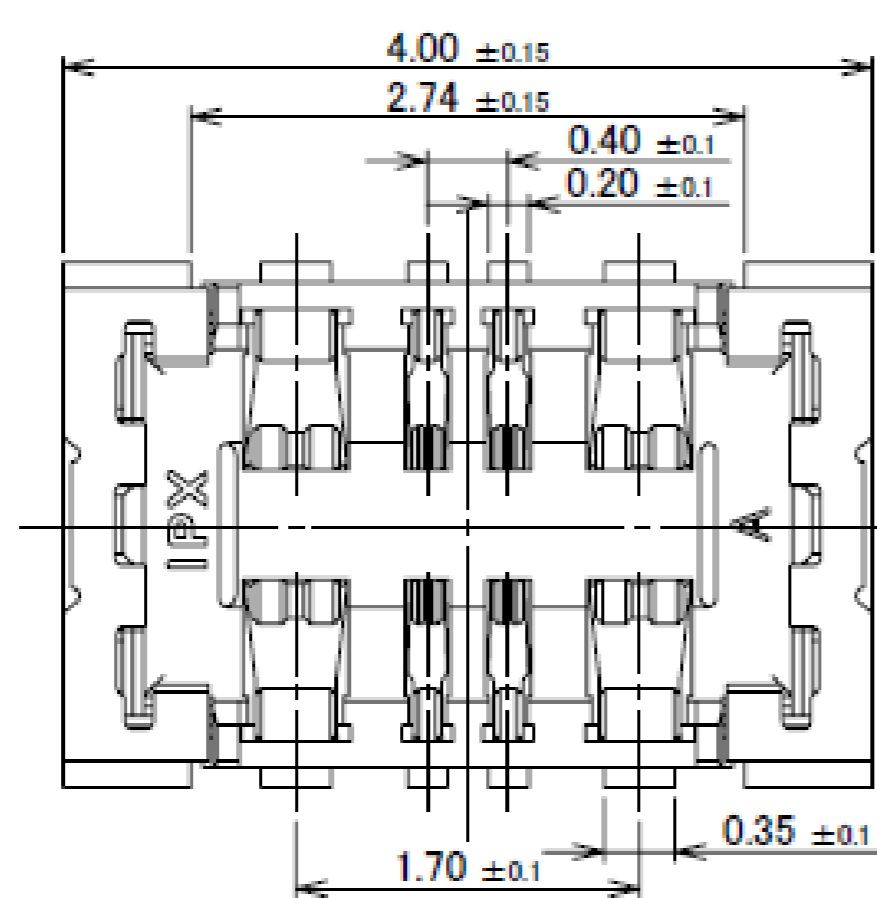
Rev.5

Receptacle Assembly

Recommended P/N		20713-004E-01
PART No.	Qty/REEL	
20713-004E-01	20K	
20713-004E-02	5K	



Halogen Free RoHS Compliant

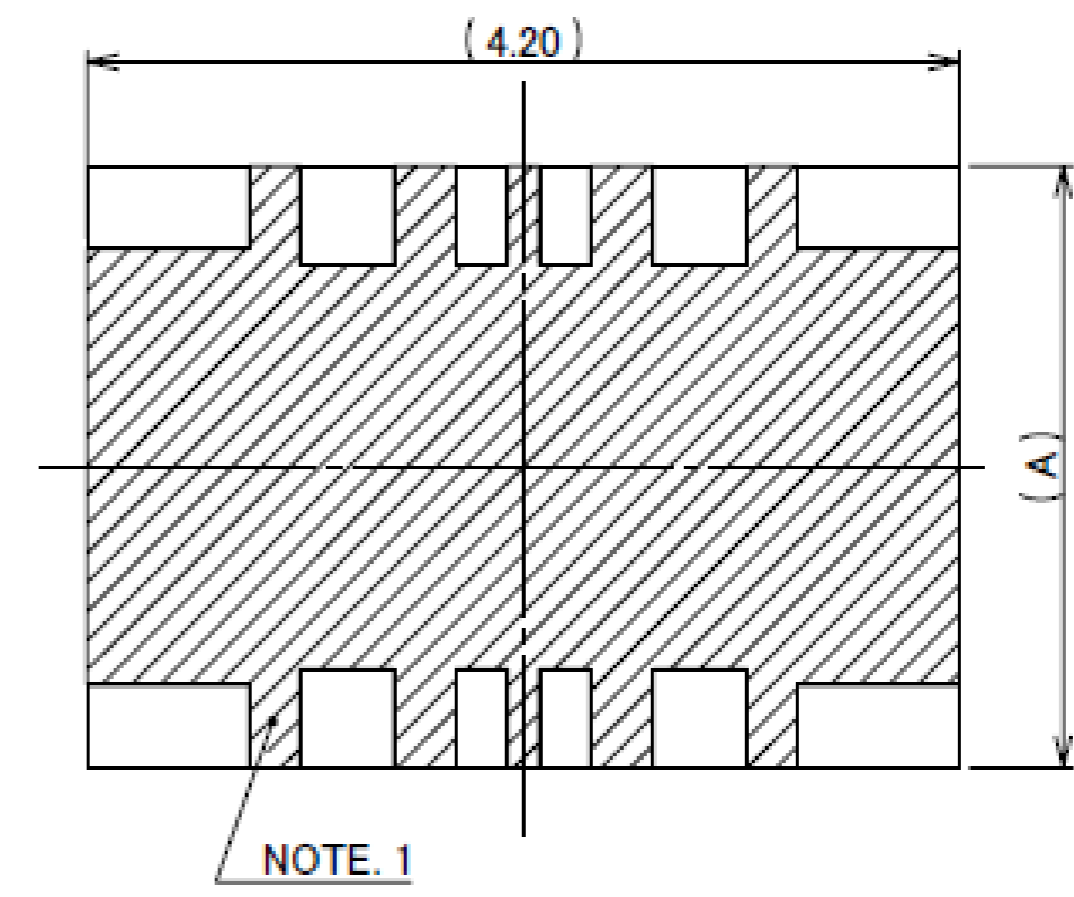
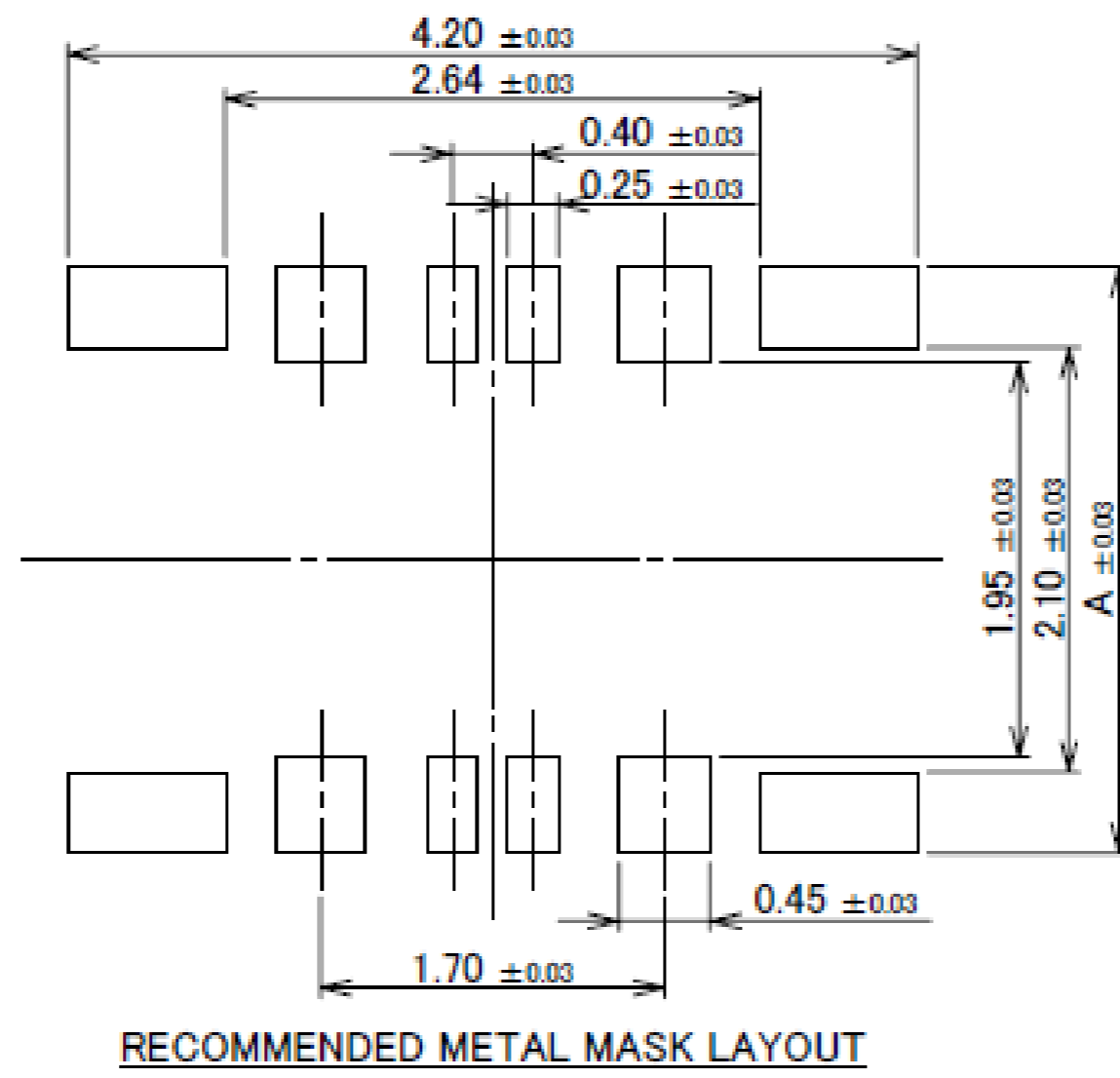
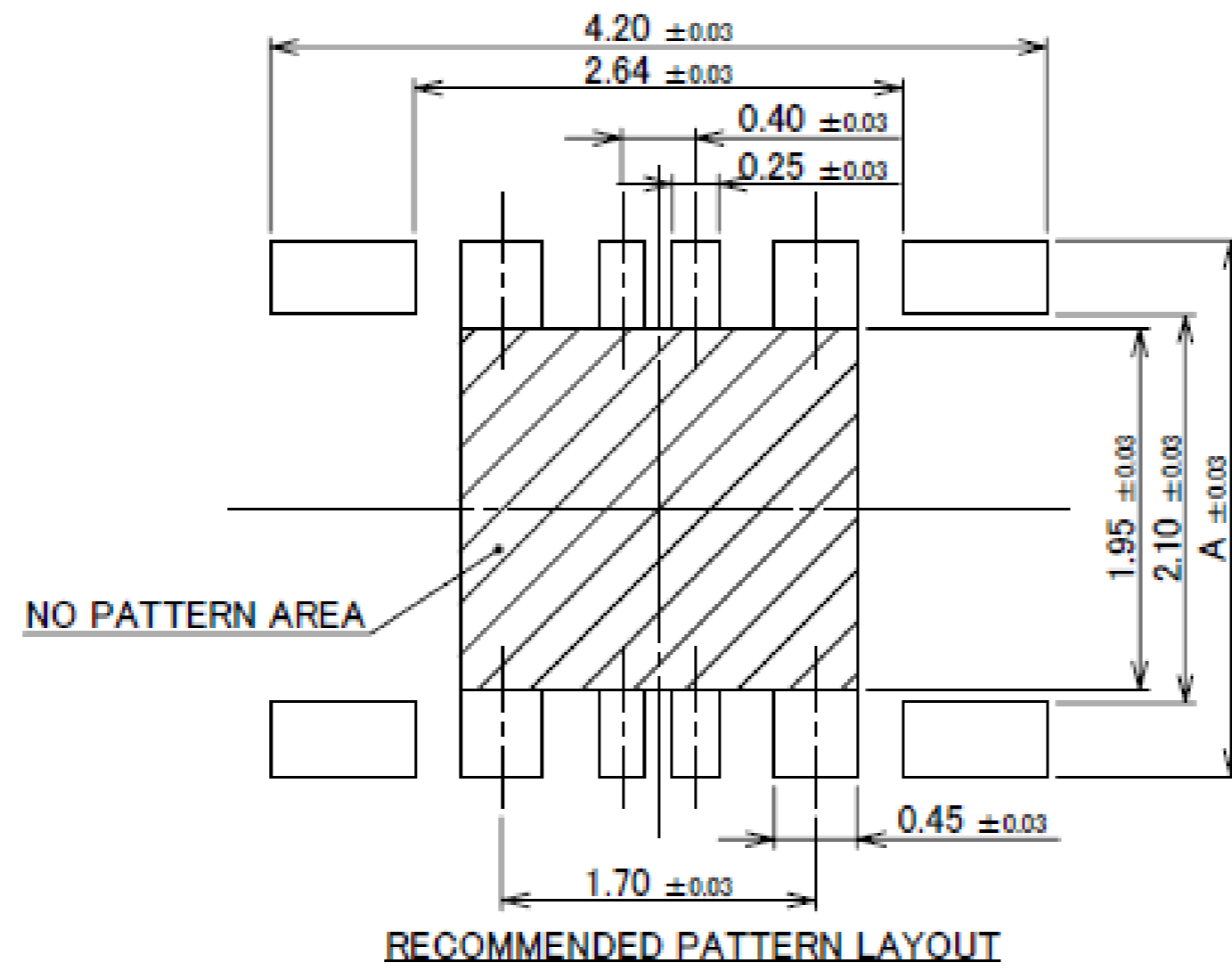


4	HOLD DOWN	PHOSPHOR BRONZE	ALL OVER Ni 1.27 μ m MIN. SOLDERING PART Au 0.01 μ m MIN.
3	POWER CONTACT	CORSON ALLOY	ALL OVER Ni 1.27 μ m MIN. CONTACT PART Au 0.05 μ m MIN./ SOLDERING PART Au 0.02 μ m MIN.
2	SIGNAL CONTACT	CORSON ALLOY	ALL OVER Ni 1.27 μ m MIN. CONTACT PART Au 0.05 μ m MIN./ SOLDERING PART Au 0.02 μ m MIN.
1	HOUSING	LCP	UL94V-0, BLACK
NO.	DISCRIPTION	MATERIAL	FINISH , REMARKS

Rev.3

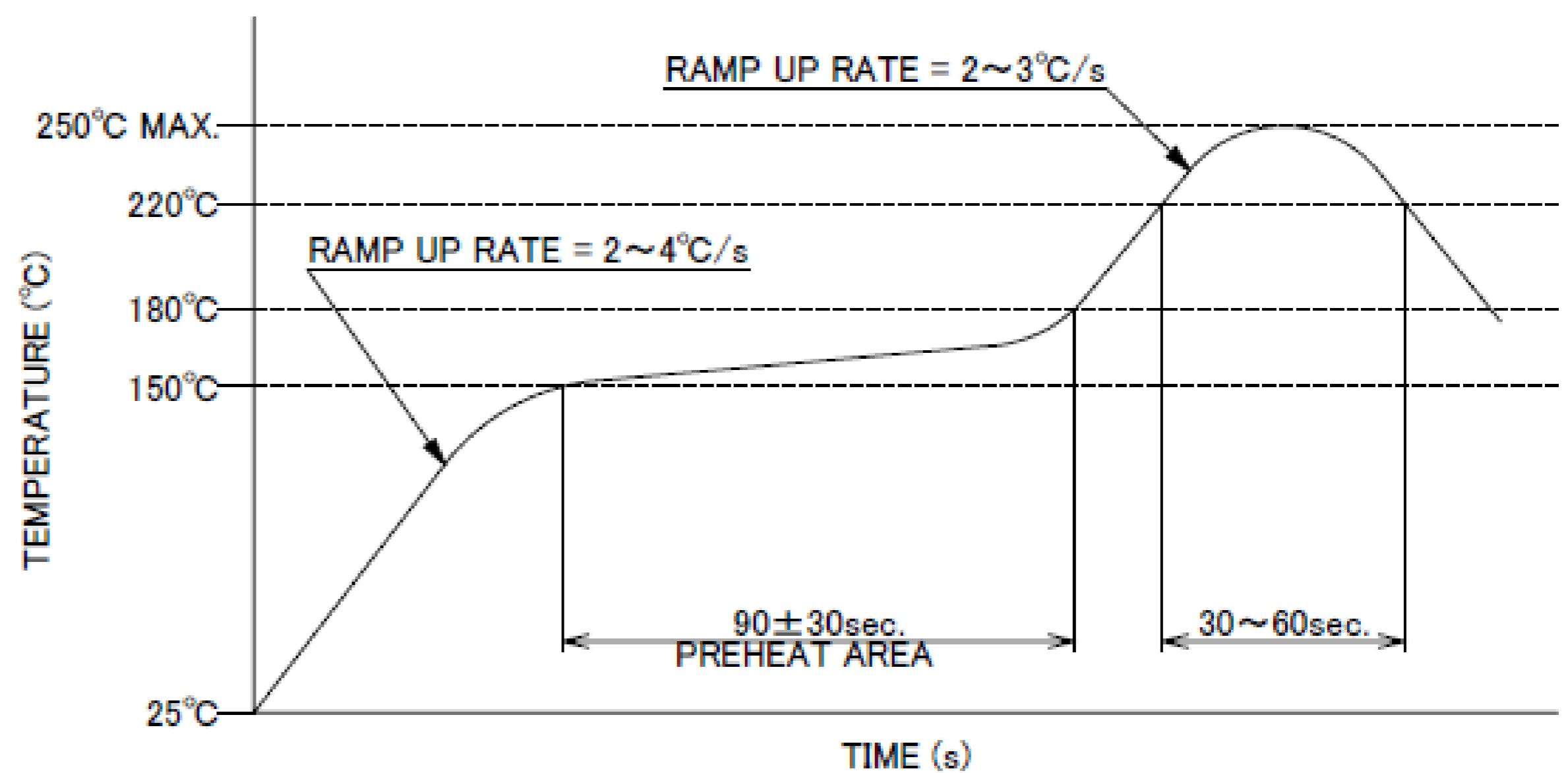
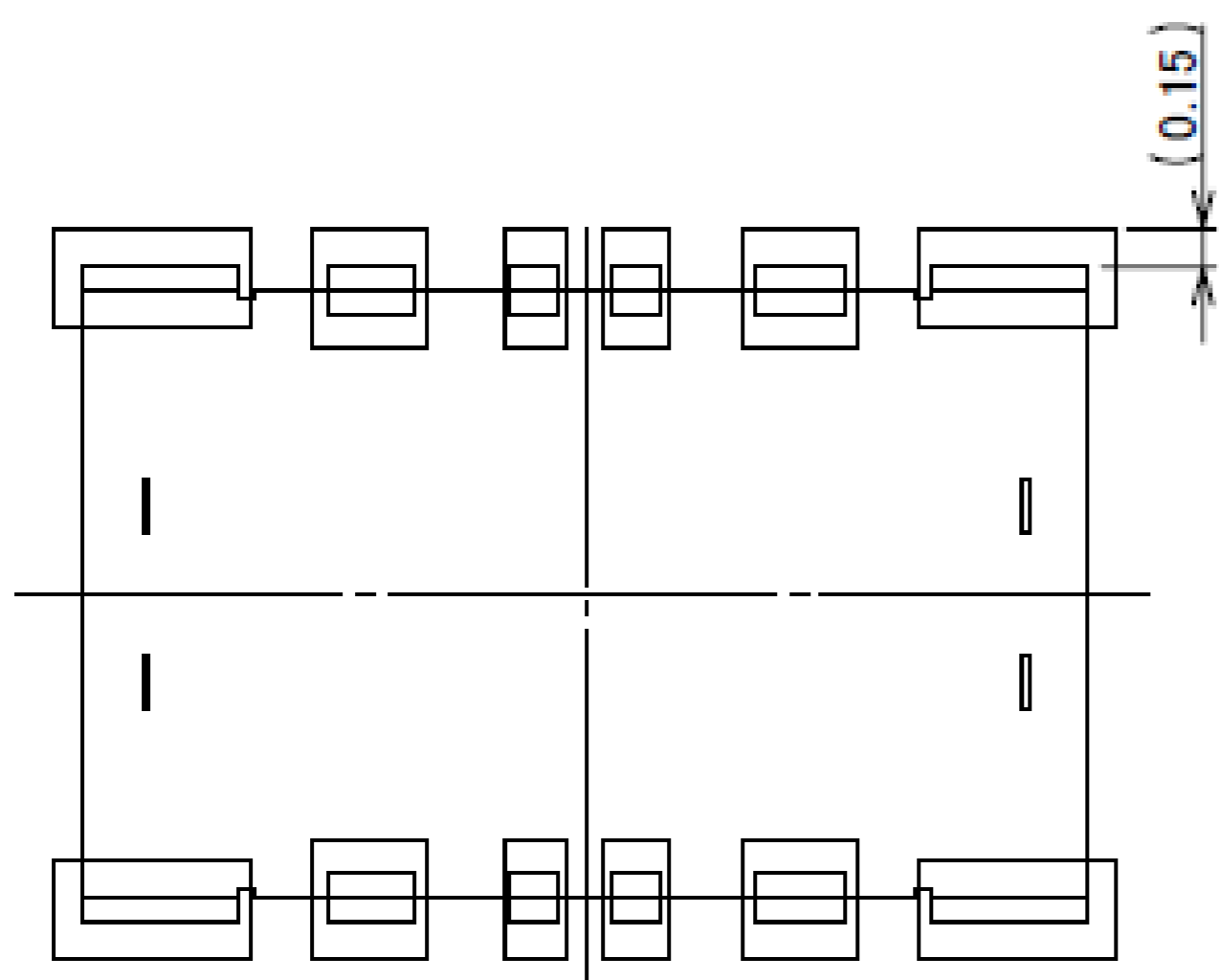
Receptacle Assembly

MASK THICKNESS	A
t=0.08	2.90
t=0.1	2.74
t=0.12	2.64



NOTES.
1. THIS AREA CANNOT MOUNT ANOTHER COMPONENTS.

Rev.3



SENJU METAL INDUSTRY CO., LTD. : M705-SHF(Sn96.5 Ag3.0 Cu0.5)

Rev.3

Receptacle Assembly

ITEMS	SPECIFICATION
APPLICABLE CONNECTOR PART No.	20712-004E-0*
RATING VOLTAGE	50V AC (PER CONTACT PIN)
RATING AMPERAGE (FOR SIGNAL CONTACT)	1.0A AC/DC (PER CONTACT PIN)/ 4.0A AC/DC(TOTAL)
RATING AMPERAGE (FOR POWER CONTACT)	6.0A AC/DC (PER CONTACT PIN)/ 24.0A AC/DC(TOTAL)
OPERATING TEMPERATURE	233~358K(-40°C~+85°C)
OPERATING HUMIDITY	85% MAX.(NON-CONDENSING)
CONTACT RESISTANCE (FOR SIGNAL CONTACT)	INITIAL : 40mohm MAX. / AFTER TEST : \triangle 20mohm MAX.
CONTACT RESISTANCE (FOR POWER CONTACT)	INITIAL : 20mohm MAX. / AFTER TEST : \triangle 20mohm MAX.
INSULATION RESISTANCE	INITIAL : 1,000Mohm MIN. / AFTER TEST : 100Mohm MIN.
DIELECTRIC WITHSTANDING VOLTAGE	AC250V 1min
DURABILITY	30 CYCLES
MATING FORCE (INITIAL / AFTER TEST)	40N MAX.
UNMATING FORCE (INITIAL / AFTER TEST)	INITIAL: 10N MIN. AFTER TEST: 7N MIN.
COPLANARITY	0.08 MAX.
PRODUCT SPECIFICATION	PRS-2284
TEST REPORT	TR-16098
PACKING STANDARD	PST-15123 (20K/REEL) PST-16057 (5K/REEL)
INSTRUCTION MANUAL	HIM-16033
APPEARANCE CRITERIA No.	QLS-A***

Rev.3

Custom Connectors Available

 RF Connector

MHF® series



Micro-coaxial/Twinax/
Discrete Wire Connector



CABLINE® series



Optical Module

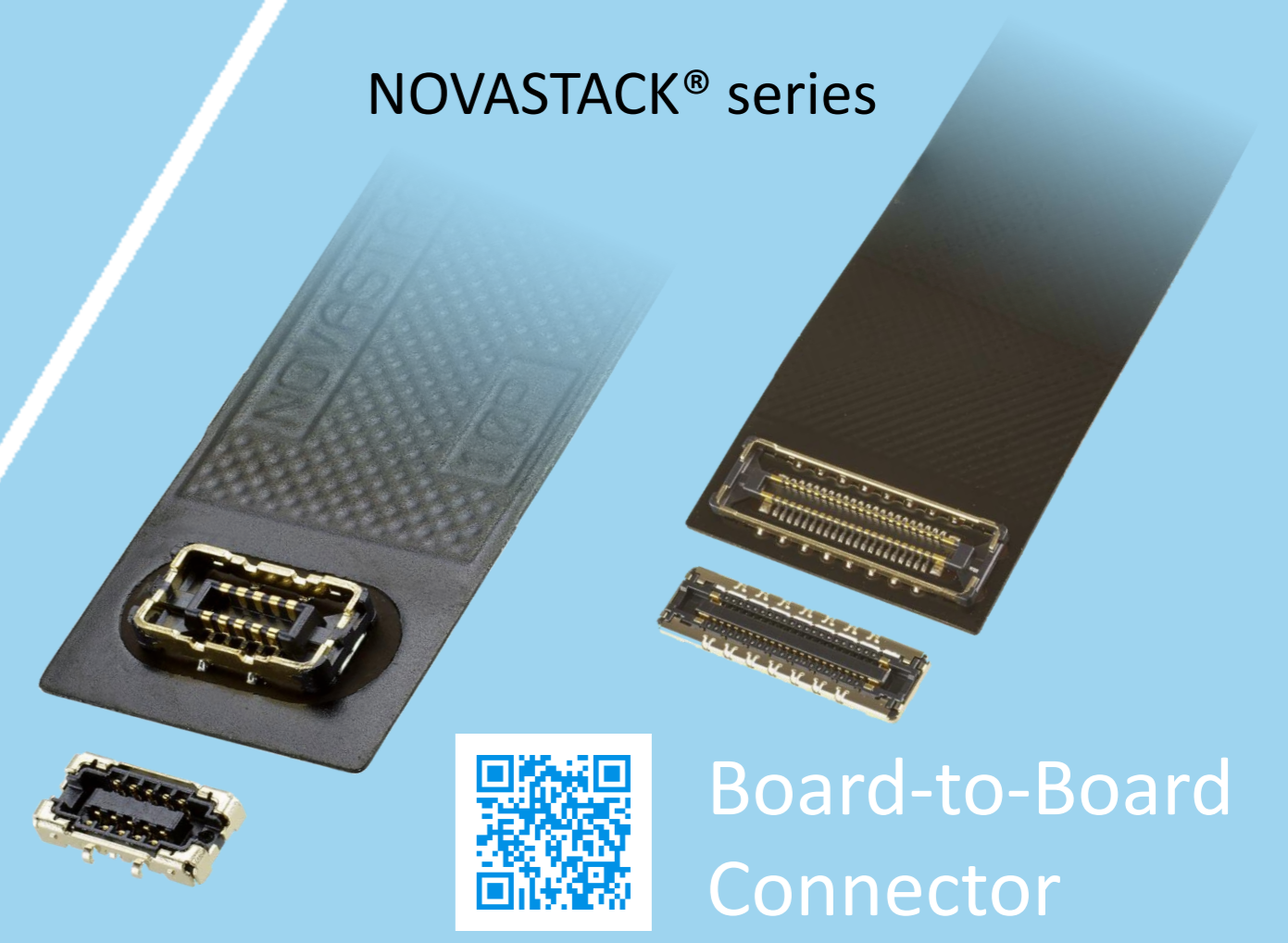
LIGHTPASS® series



NOVASTACK® series



Board-to-Board Connector



Power Connector/
Terminal

AP series

ISH® series



MINIFLEX® series

EVAFLEX® series



FPC FFC
Connector



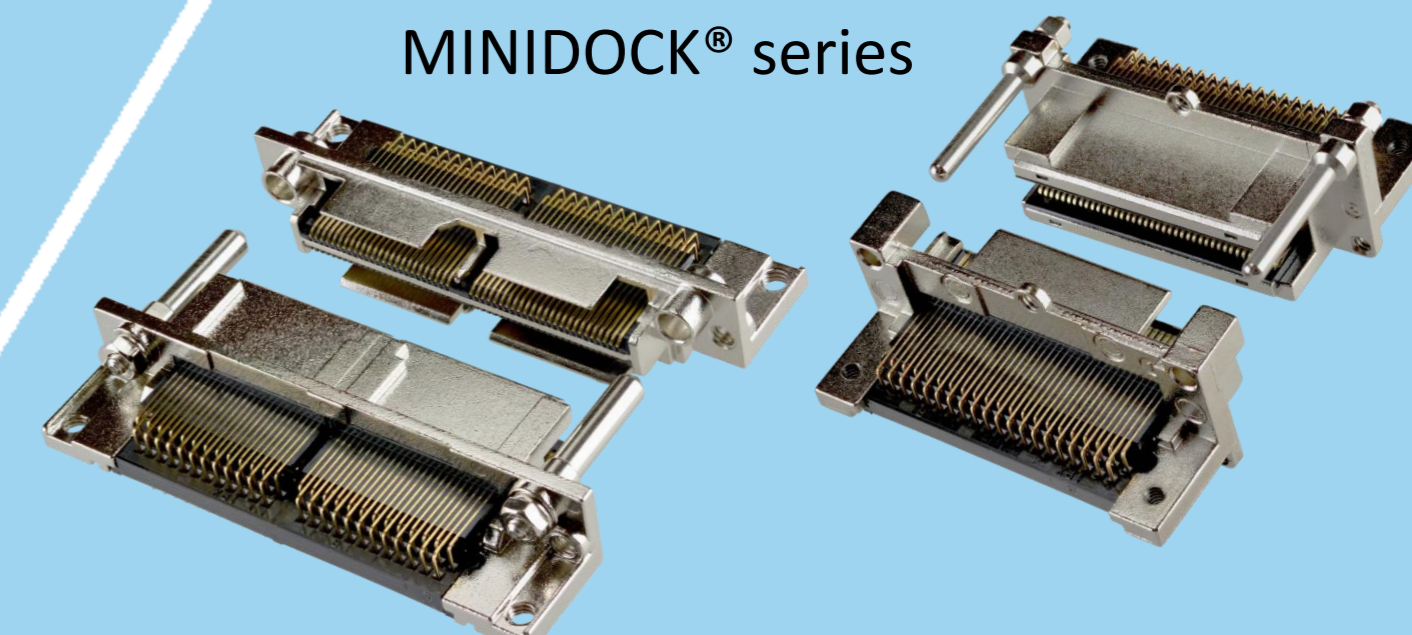
Inquiry



MINIDOCK® series



I/O
Connector



I-PEX, MHF, CABLINE, LIGHTPASS, NOVASTACK, ISH, IARPB, MINIFLEX, EVAFLEX, MINIDOCKS and ZenShield are registered trademarks of I-PEX Inc. Please note that the contents in the catalog might be changed without prior notification. I-PEX Inc. assumes no responsibility for any inaccuracies or obligation to update information on these documents. Please be sure to read and understand the latest "Precautions for Use" and "Instruction Manual" before you use our products. We shall not be responsible for any defects, damages or troubles in case you use our products without following the precautions for use. Please feel free to contact our sales representatives when you use our products for any applications that require very high reliability and safety, or that relate to human life (ex. nuclear power control, aerospace, transportation, medical equipment, safety equipment etc.).

Contact your sales representative or more detailed information.

www.i-pex.com



I-PEX

© I-PEX Inc. 2024
All rights reserved