

# MINIFLEX® 5-BFN II

ホールドダウンによる堅牢性、低背（高さ = 1.0 mm）、0.5 mmピッチ、水平嵌合、バックフリップ

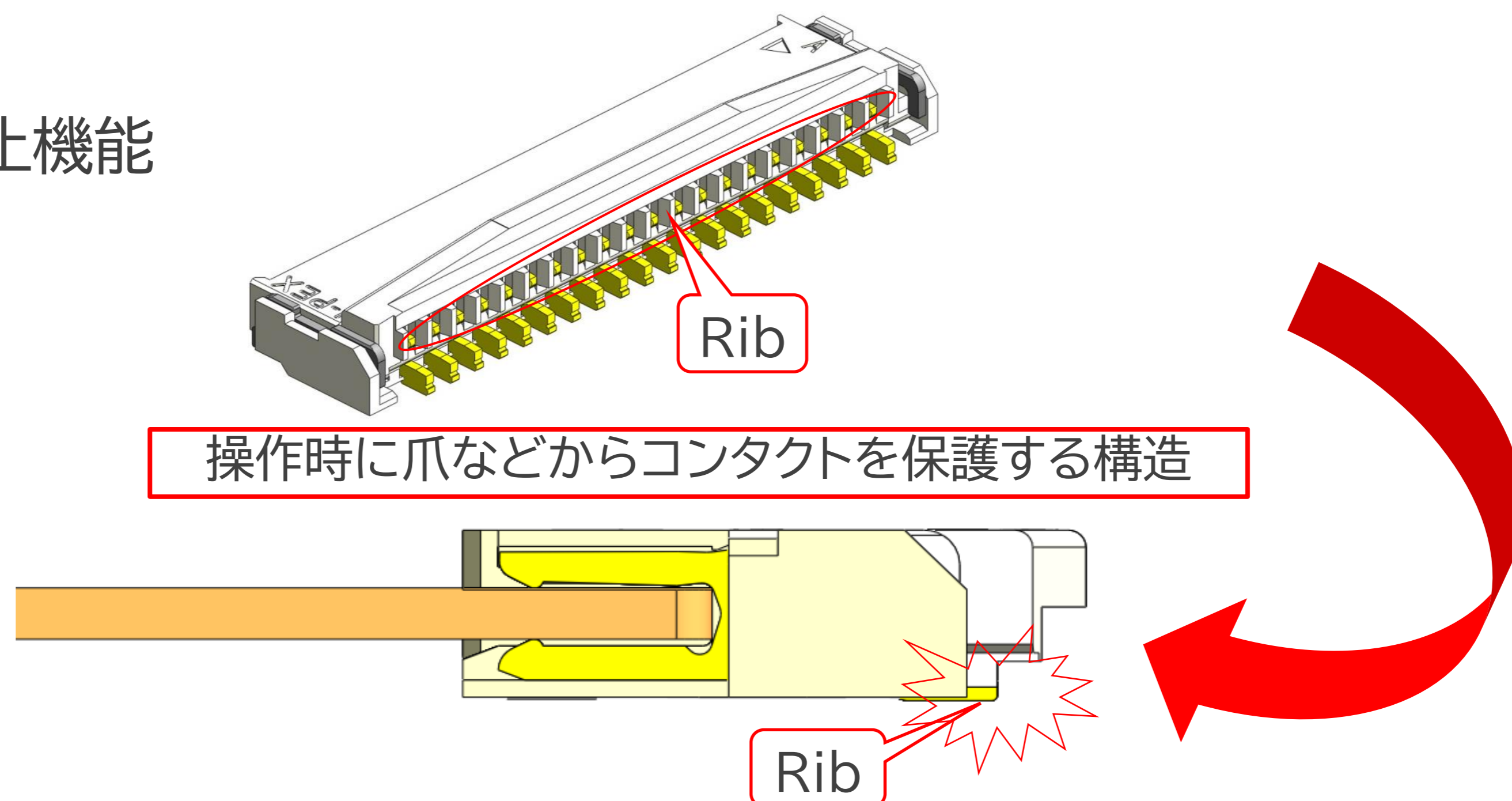
Product Specifications:		Short Actuator	Long Actuator	Applicable FPC/FFC:	
Board Pitch (mm)		0.5		FPC/FFC Contact Pitch	0.5
Wiping Length (mm)		1		FPC/FFC Contact Point	Top and Bottom
Size (mm)	Height	1.0 +/- 0.1		FPC/FFC Thickness (mm)	0.3 +/- 0.05
	Width	Formula: 1.7+(0.5*?p)			
	Depth	Open: 3			
Pin counts		Close: 3.5	Close: 4.0		
	Range	4-30 (even)	32-60 (even)		
	Available	4, 6, 8, 10, 12, 14, 16, 18, 20, 22, 24, 26, 28, 30	32, 34, 40, 50, 54		

\*記載のない極数の対応状況についてはお問い合わせください。

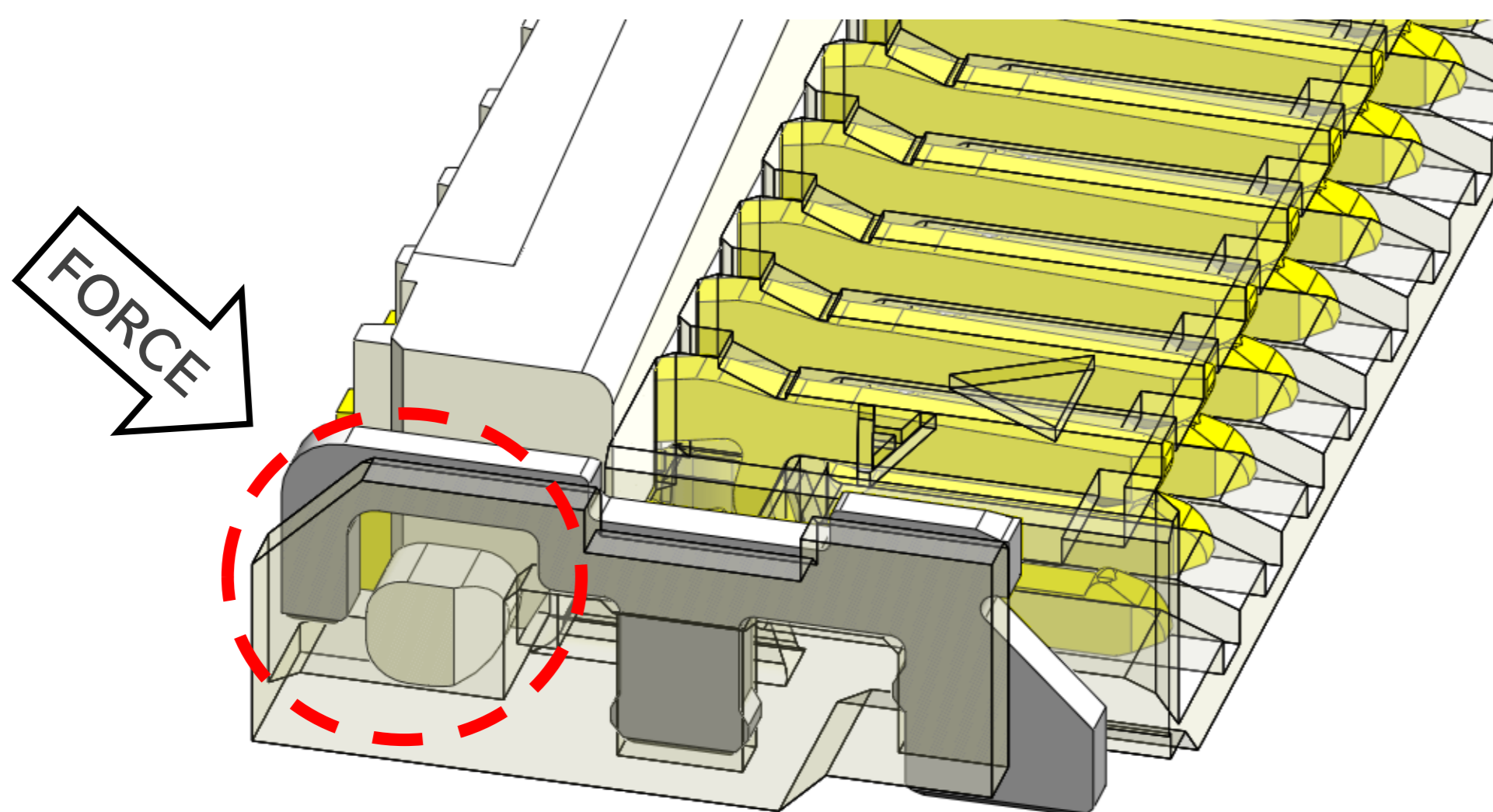


## ▶ アクチュエータ操作時のコンタクト変形防止機能

コンタクト変形防止機能



## ▶ 独自のホルダー形状によりアクチュエータの脱落を防止



100 N の力でもアクチュエータは脱落なし

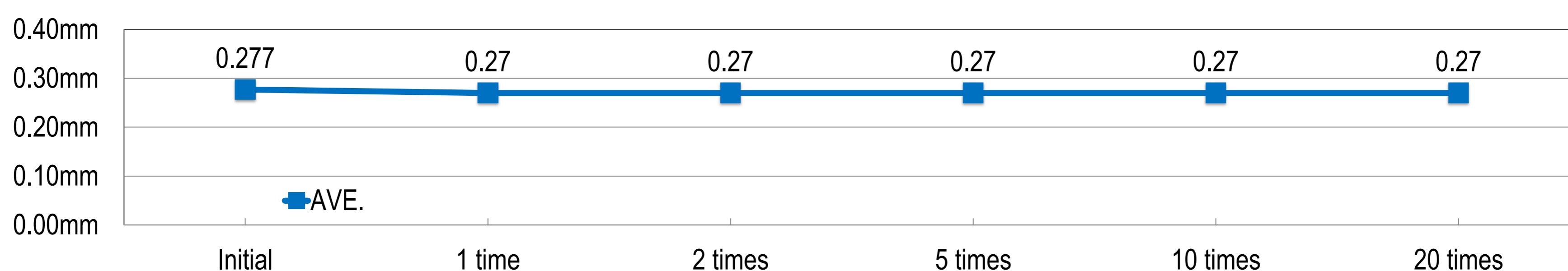
\*先にハウジング破壊が発生

\*力のベクトルはアクチュエータが最も外れやすいと言われる後ろ斜め上30度から測定

## ▶ FPC未挿入状態のアクチュエータ空閉じ操作

SMTプロセス後に、もしもFPC未挿入状態でアクチュエータを操作してしまった場合でも十分にコネクタとして機能します

■ FPC未挿入状態でのアクチュエータ空閉じ操作前後のコンタクト接点間寸法（表図 MINIFLEX® 5-BFN II 22 pins）



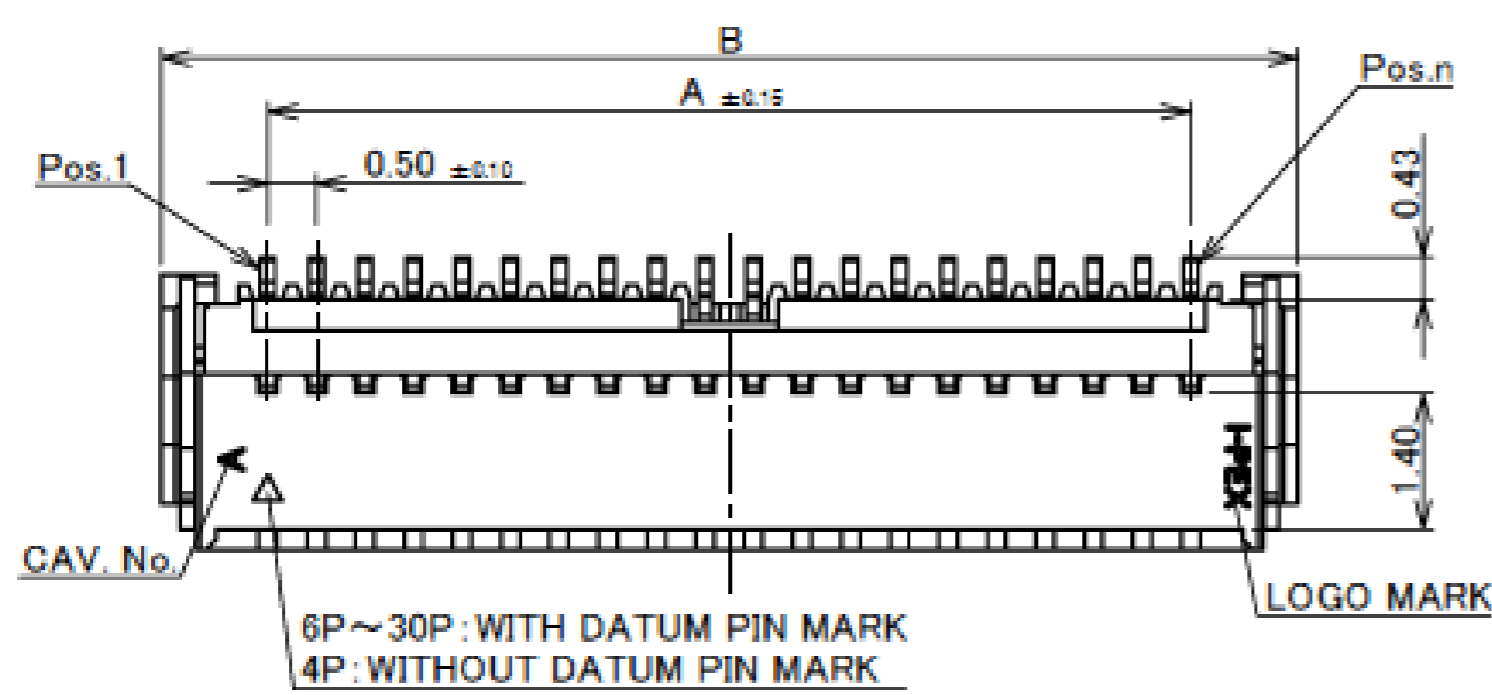
■ FPC挿入力は上昇します

■ FPC保持力に大きな変化はありません

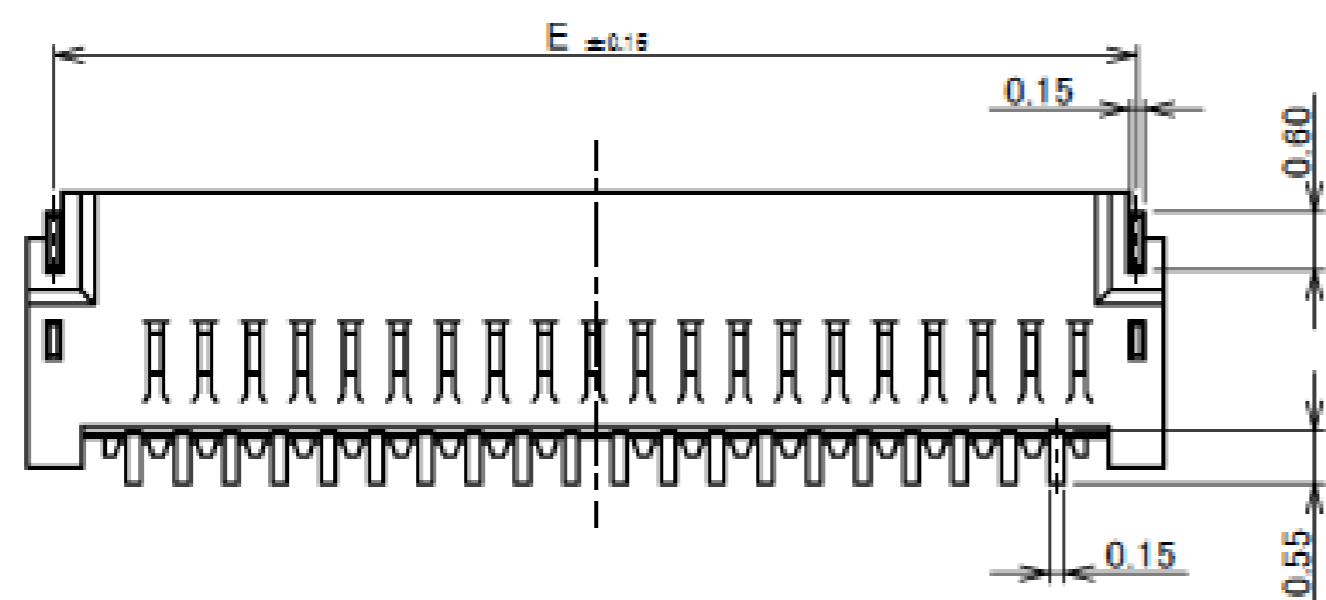
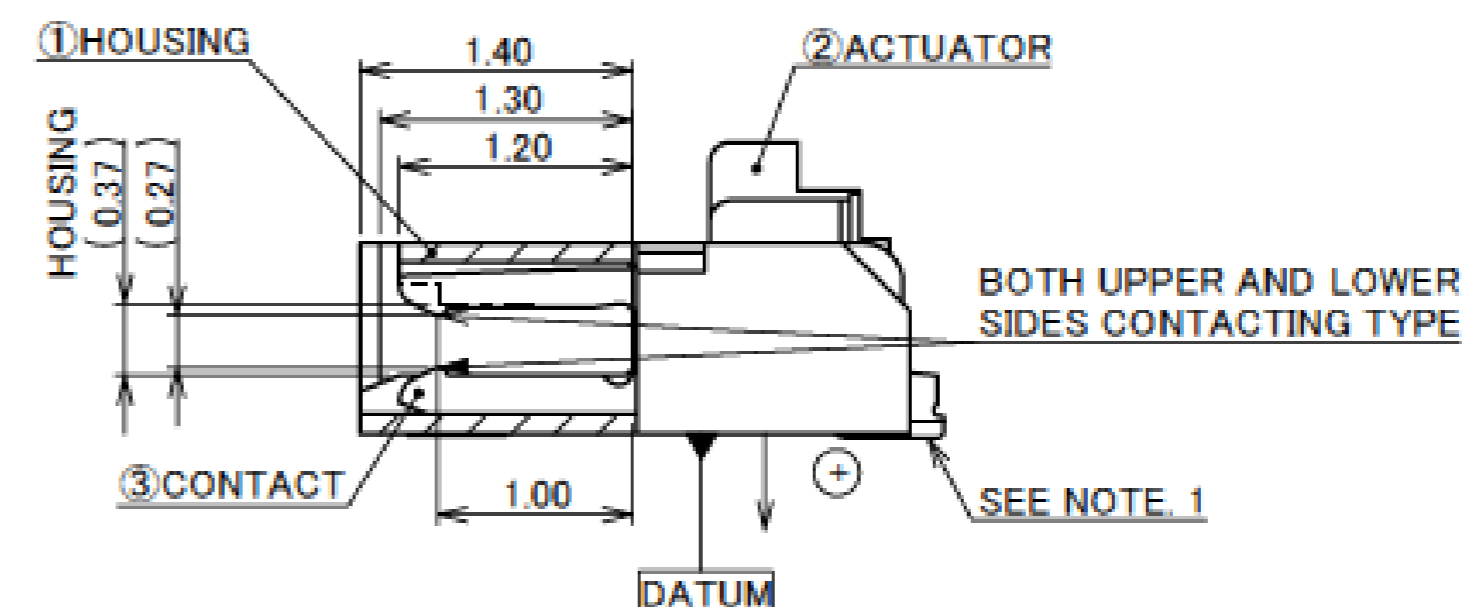
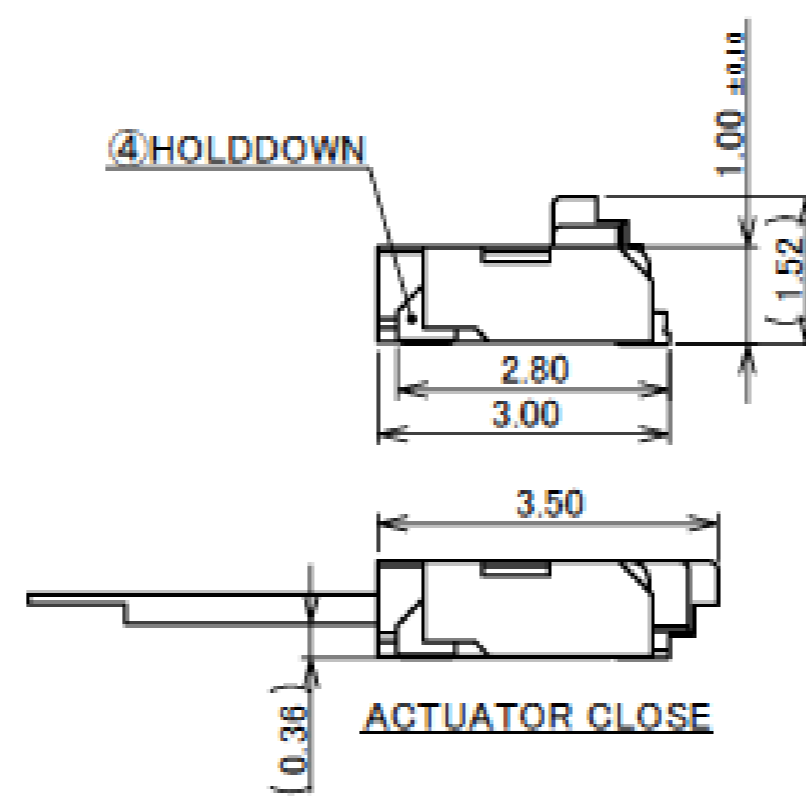
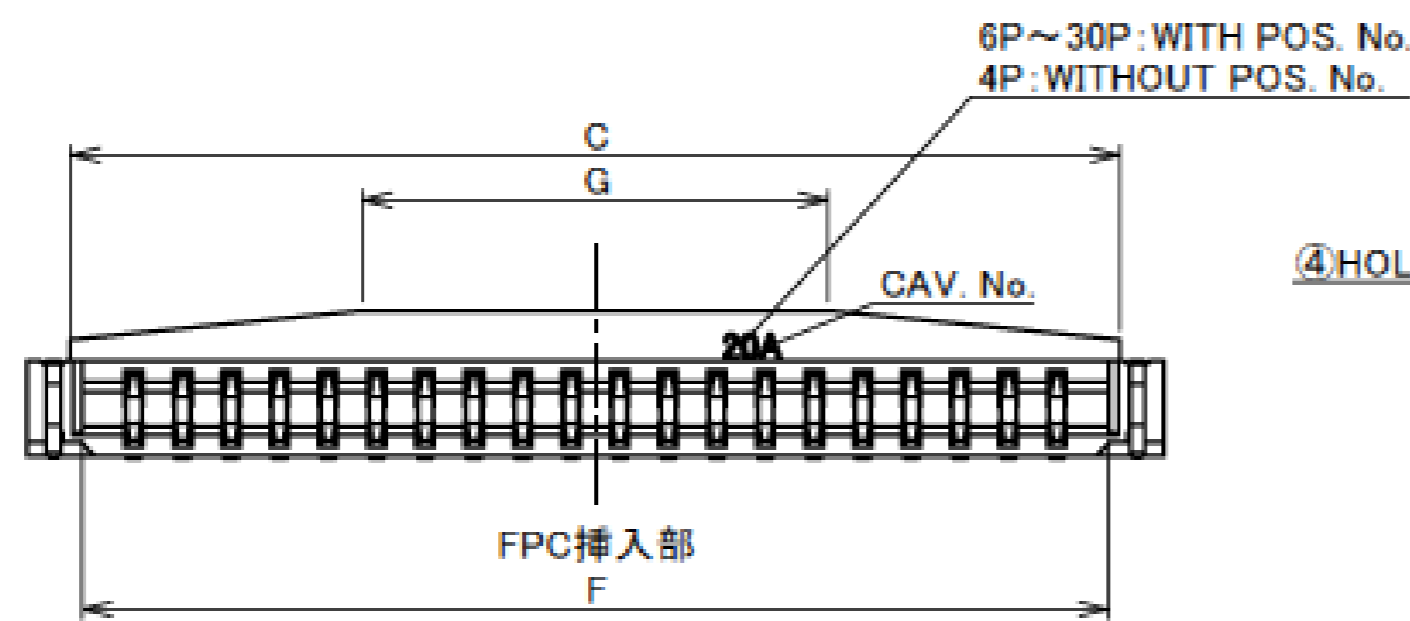
# Component Parts Details

## Connector Assembly

Recommended P/N 20542-0\*\*E-01



PART No.	POS.	A	B	C	D	E	F	G
20542-004E-01	4	1.50	3.70	2.80	2.50	3.15	2.56	1.80
20542-006E-01	6	2.50	4.70	3.80	3.50	4.15	3.56	2.80
20542-008E-01	8	3.50	5.70	4.80	4.50	5.15	4.56	3.80
20542-010E-01	10	4.50	6.70	5.80	5.50	6.15	5.56	4.80
20542-012E-01	12	5.50	7.70	6.80	6.50	7.15	6.56	5.80
20542-014E-01	14	6.50	8.70	7.80	7.50	8.15	7.56	6.80
20542-016E-01	16	7.50	9.70	8.80	8.50	9.15	8.56	7.80
20542-018E-01	18	8.50	10.70	9.80	9.50	10.15	9.56	8.80
20542-020E-01	20	9.50	11.70	10.80	10.50	11.15	10.56	9.80
20542-022E-01	22	10.50	12.70	11.80	11.50	12.15	11.56	10.80
20542-024E-01	24	11.50	13.70	12.80	12.50	13.15	12.56	11.80
20542-026E-01	26	12.50	14.70	13.80	13.50	14.15	13.56	12.80
20542-028E-01	28	13.50	15.70	14.80	14.50	15.15	14.56	13.80
20542-030E-01	30	14.50	16.70	15.80	15.50	16.15	15.56	14.80

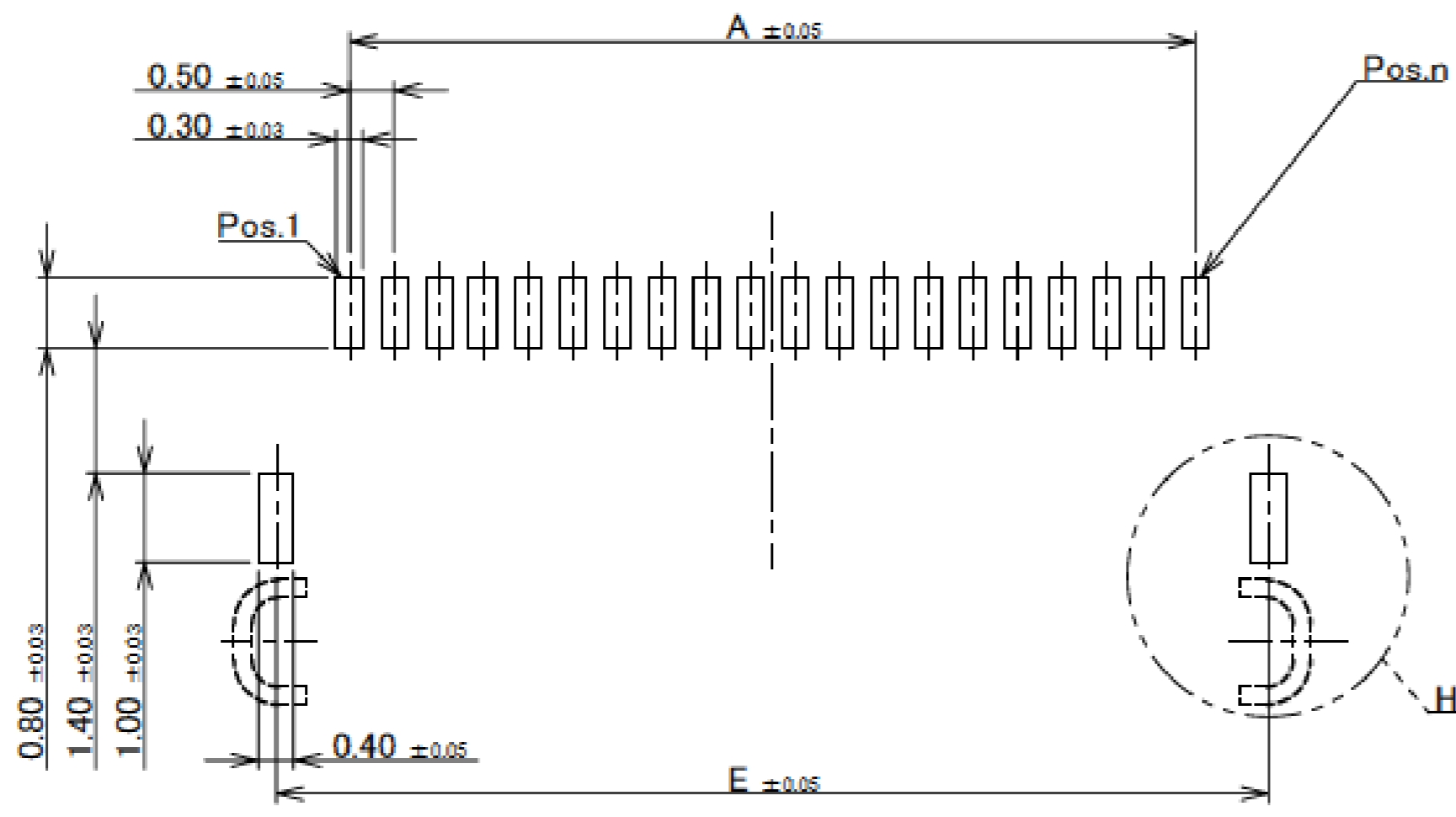


NO.	MATERIAL	DISCRIPTION	FINISH , REMARKS
4	PHOSPHOR BRONZE	HOLD DOWN	Sn 2~6 μm MIN.OVER Ni 1.00 μm MIN.
3	PHOSPHOR BRONZE	CONTACT	CONTACT AREA : Au 0.1 μm MIN. OVER Ni 1.0 μm MIN. SOLDERING AREA : Au 0.03 μm MIN. OVER Ni 1.0 μm MIN.
2	LCP	ACTUATOR	UL94V-0, BEIGE
1	LCP	HOUSING	UL94V-0, BEIGE

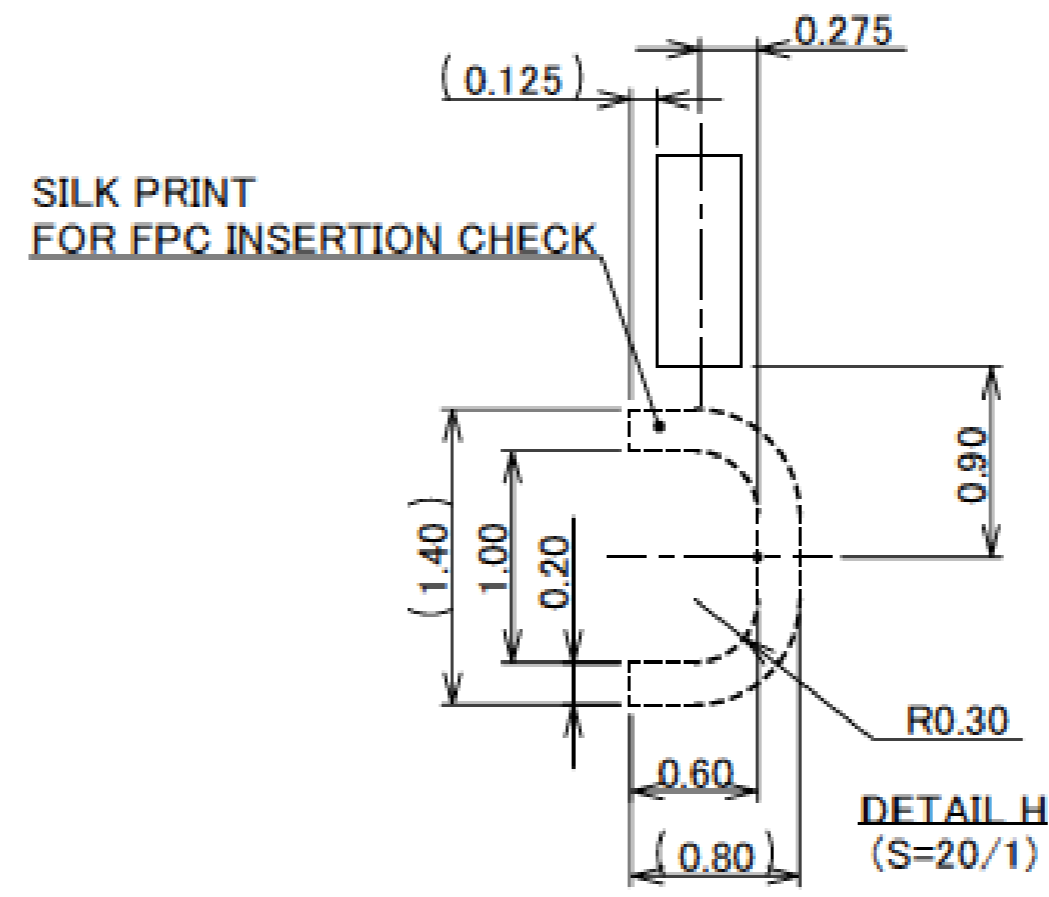
CAUTION VISIT OUR WEBSITE FOR LATEST VERSIONS OF INSTRUCTION MANUAL NO. HIM-12019 TO HANDLE THE PRODUCT PROPERLY AND SAFELY.

NOTES  
1. CONTACT TAIL IS PROJECTION FROM HOUSING IN THE + DIRECTION. (0~0.06)

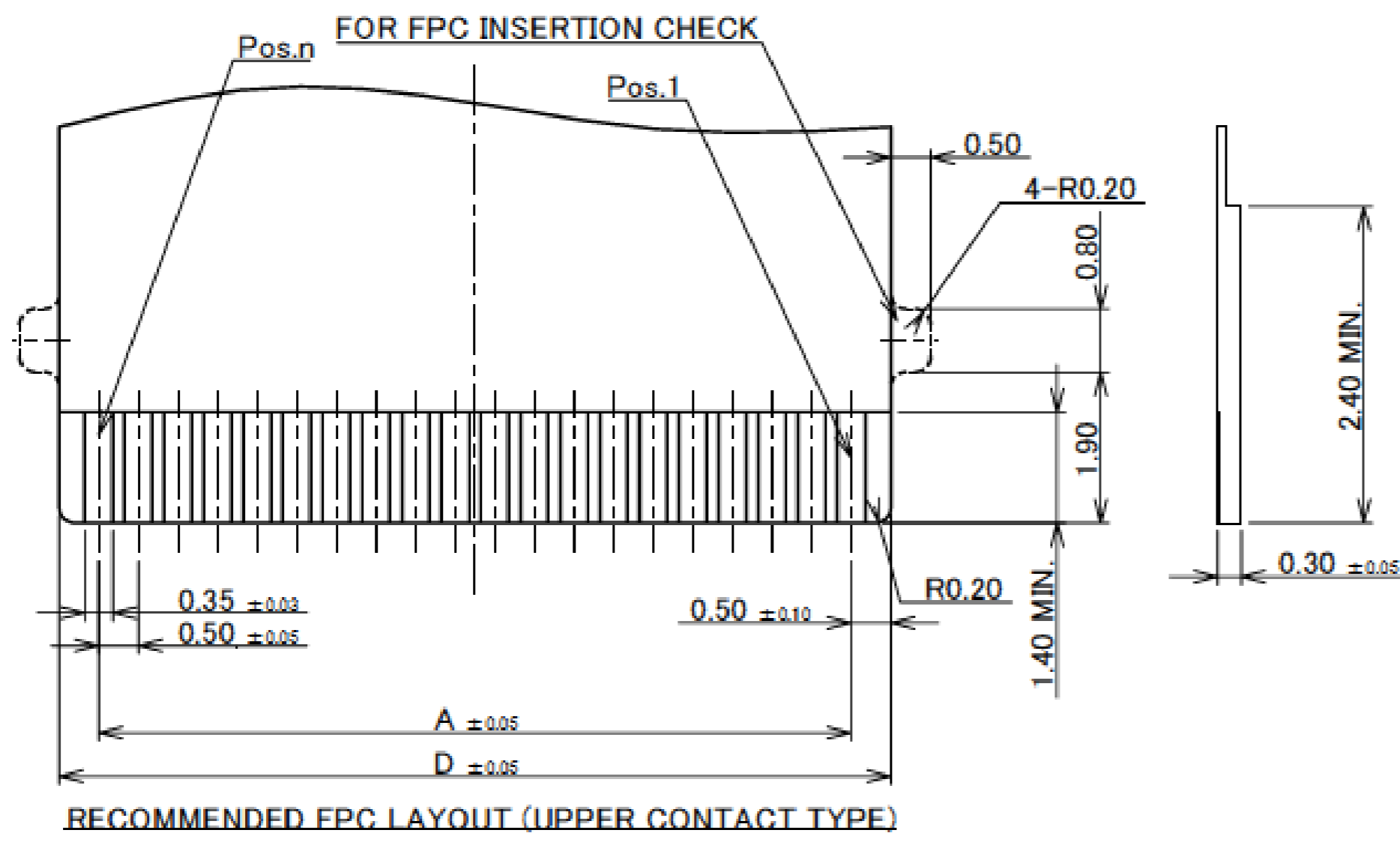
# Connector Assembly



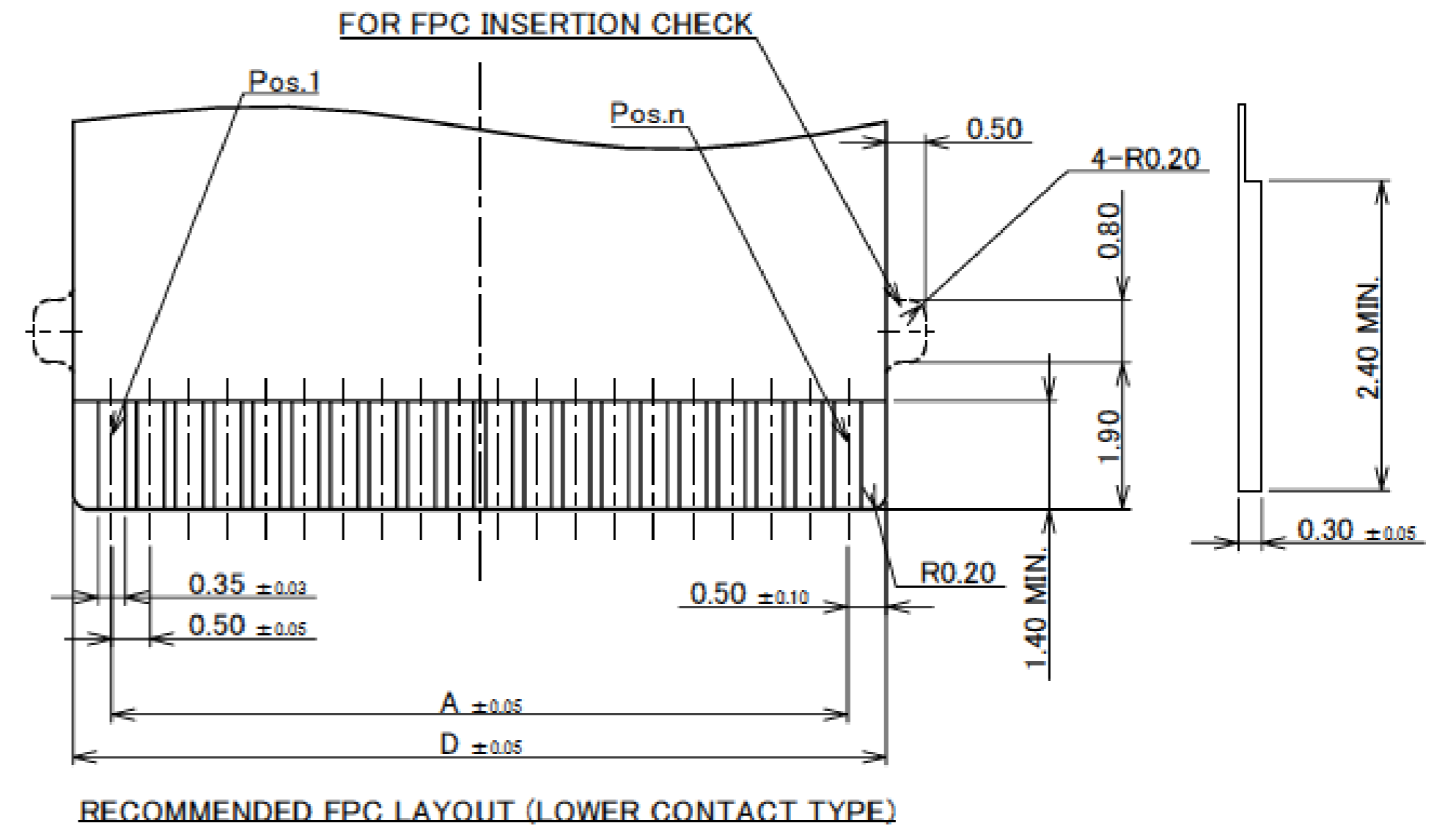
RECOMMENDED PCB LAYOUT & METAL MASK LAYOUT  
METAL MASK THICKNESS : t=0.12mm



PART No.	POS.	A	D	E
20542-004E-01	4	1.50	2.50	3.15
20542-006E-01	6	2.50	3.50	4.15
20542-008E-01	8	3.50	4.50	5.15
20542-010E-01	10	4.50	5.50	6.15
20542-012E-01	12	5.50	6.50	7.15
20542-014E-01	14	6.50	7.50	8.15
20542-016E-01	16	7.50	8.50	9.15
20542-018E-01	18	8.50	9.50	10.15
20542-020E-01	20	9.50	10.50	11.15
20542-022E-01	22	10.50	11.50	12.15
20542-024E-01	24	11.50	12.50	13.15
20542-026E-01	26	12.50	13.50	14.15
20542-028E-01	28	13.50	14.50	15.15
20542-030E-01	30	14.50	15.50	16.15



RECOMMENDED FPC LAYOUT (UPPER CONTACT TYPE)

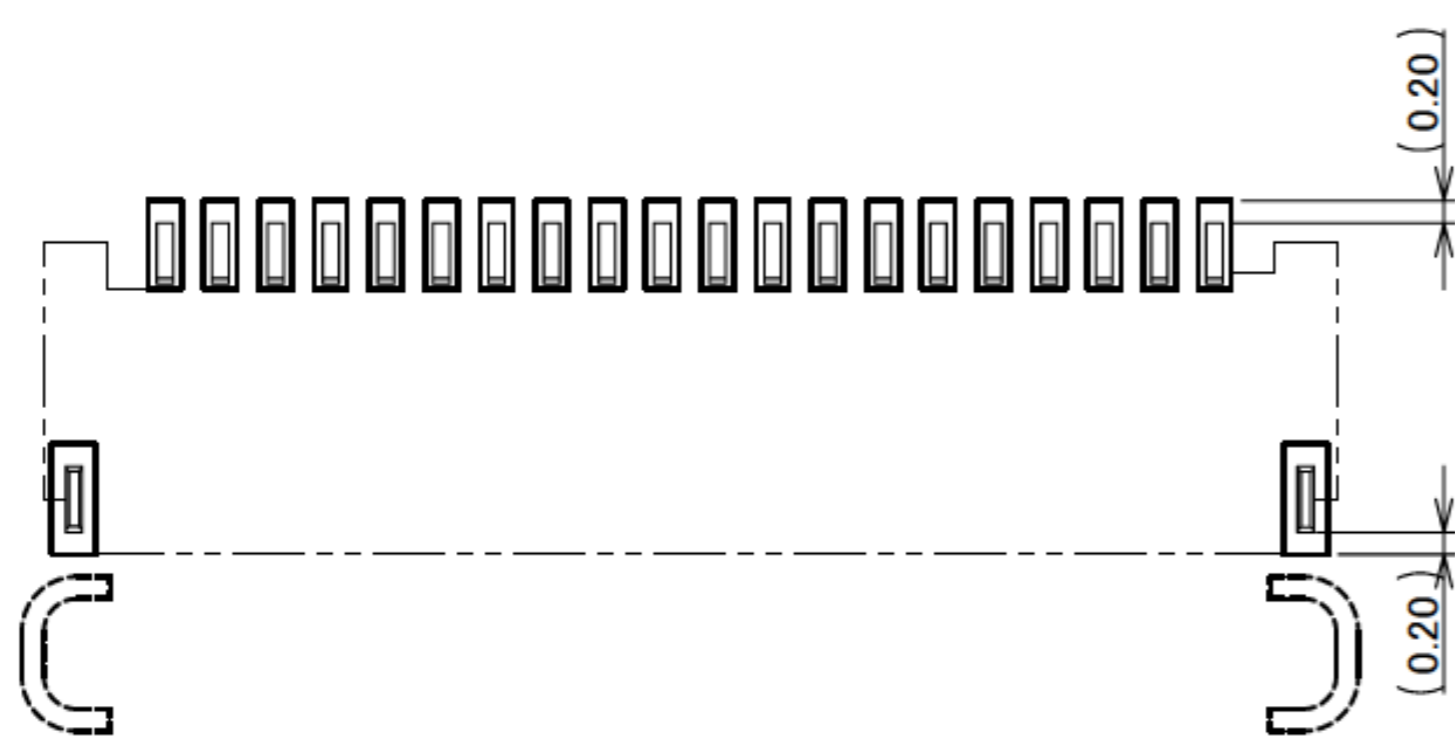


RECOMMENDED FPC LAYOUT (LOWER CONTACT TYPE)

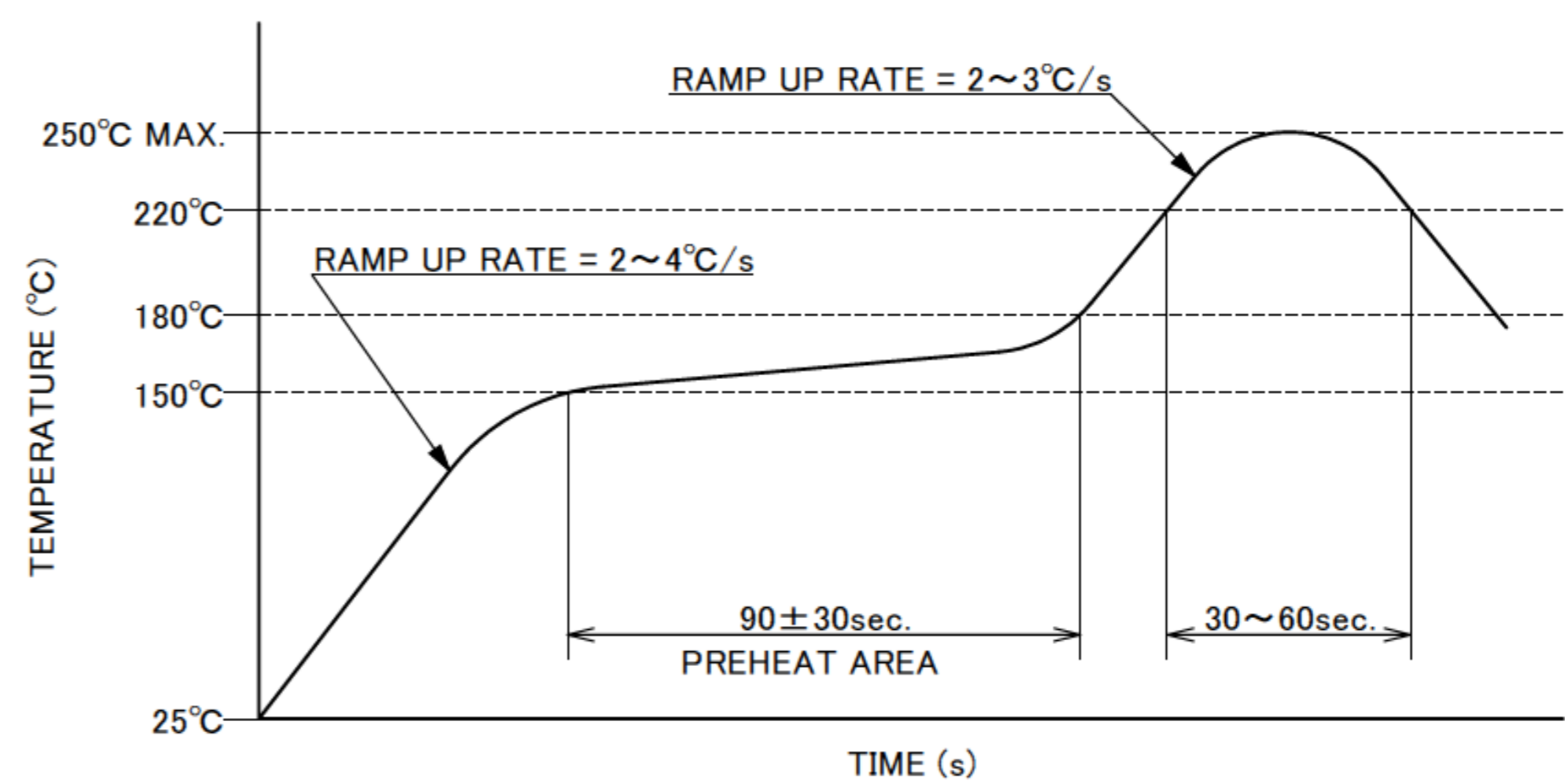
- NOTES  
2.MATERIAL  
COVER FILM : PI  
CONDUCTOR : COPPER(RARE)  
BASE FILM : PI  
STIFFENER : PI  
ADHESIVE : THERMOSETTING ADHESIVE  
3.FINISH  
Au OVER Ni PLATING.

Rev.8

# Plug Housing Assembly



CONNECTOR ON RECOMMENDED FOOTPRINT PATTERN



REFLOW TEMPERATURE PROFILE  
SENJU METAL INDUSTRY CO., LTD. : M705-SHF(Sn96.5 Ag3.0 Cu0.5)

Rev.8

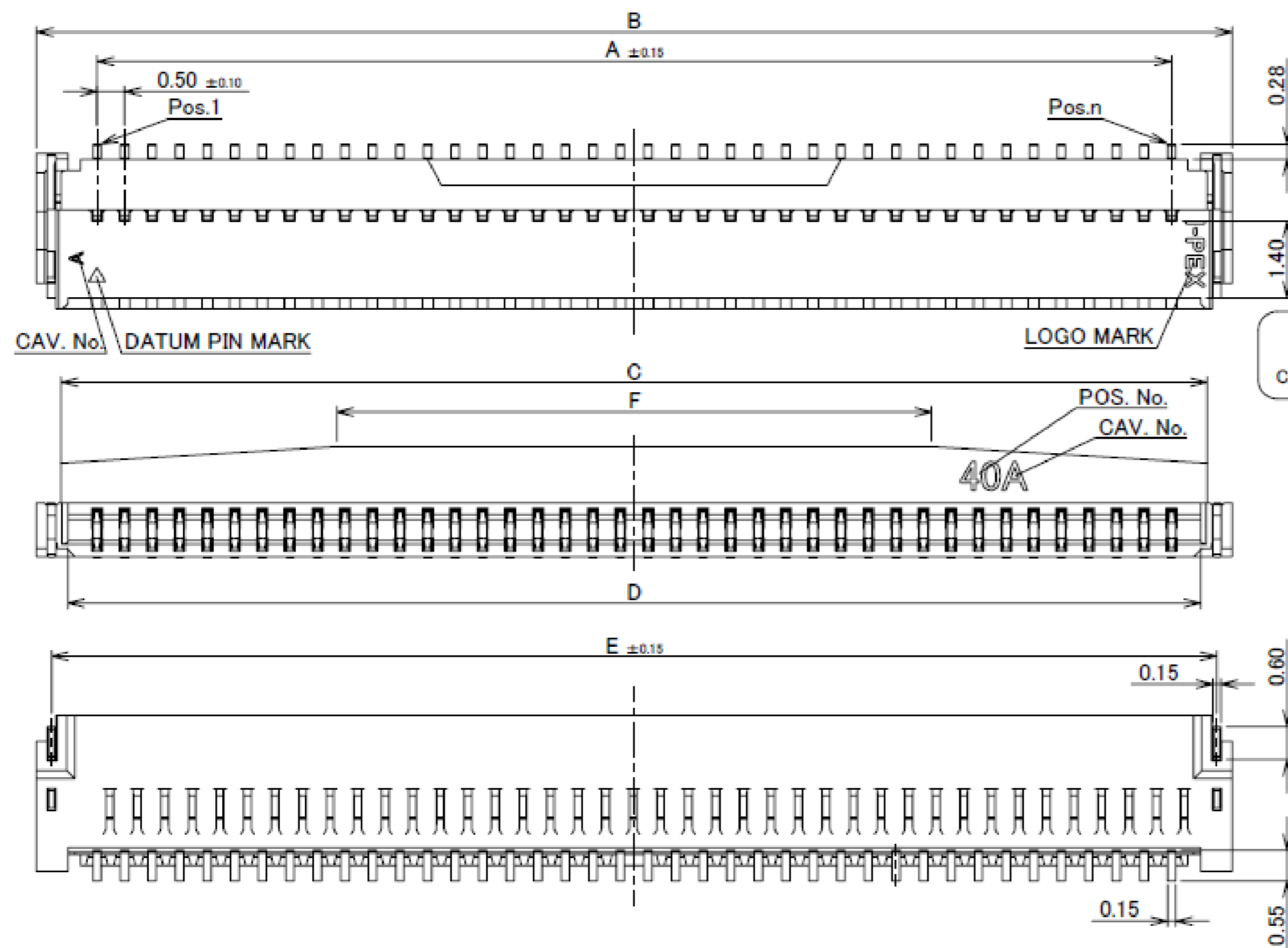
# Connector Assembly

ITEMS	SPECIFICATION
RATING VOLTAGE	50V AC (PER CONTACT)
RATING AMPERAGE	0.5A DC (PER CONTACT) 7.0A DC (PER CONNECTOR)
OPERATING TEMPERATURE	233~398K(-40°C~125°C)
OPERATING HUMIDITY	80% MAX.(NON-CONDENSING)
CONTACT RESISTANCE	INITIAL : 40mohm MAX. / AFTER TEST : $\Delta$ 20mohm MAX.
INSULATION RESISTANCE	100Mohm MIN.
DIELECTRIC WITHSTANDING VOLTAGE	AC200V 1min
DURABILITY	20TH CYCLES
ACTUATOR LOCKING FORCE (INITIAL / 20TH CYCLES)	INITIAL / 20TH CYCLES : 0.6N(61gf) $\times$ n MAX.
ACTUATOR UNLOCKING FORCE (INITIAL / 20TH CYCLES)	INITIAL / 20TH CYCLES : 0.05N(5gf) $\times$ n MIN.
FPC RETENTION FORCE (INITIAL / AFTER TEST)	INITIAL / AFTER TEST : 0.15N(15gf) $\times$ n MIN.
COPLANARITY	0.08 MAX.
PRODUCT SPECIFICATION	PRS-1619
TEST REPORT	TR-12124
PACKING STANDARD	300-963
INSTRUCTION MANUAL	HIM-12019
APPEARANCE CRITERIA No.	QLS-A***

※ "n" IS THE NUMBER OF PIN

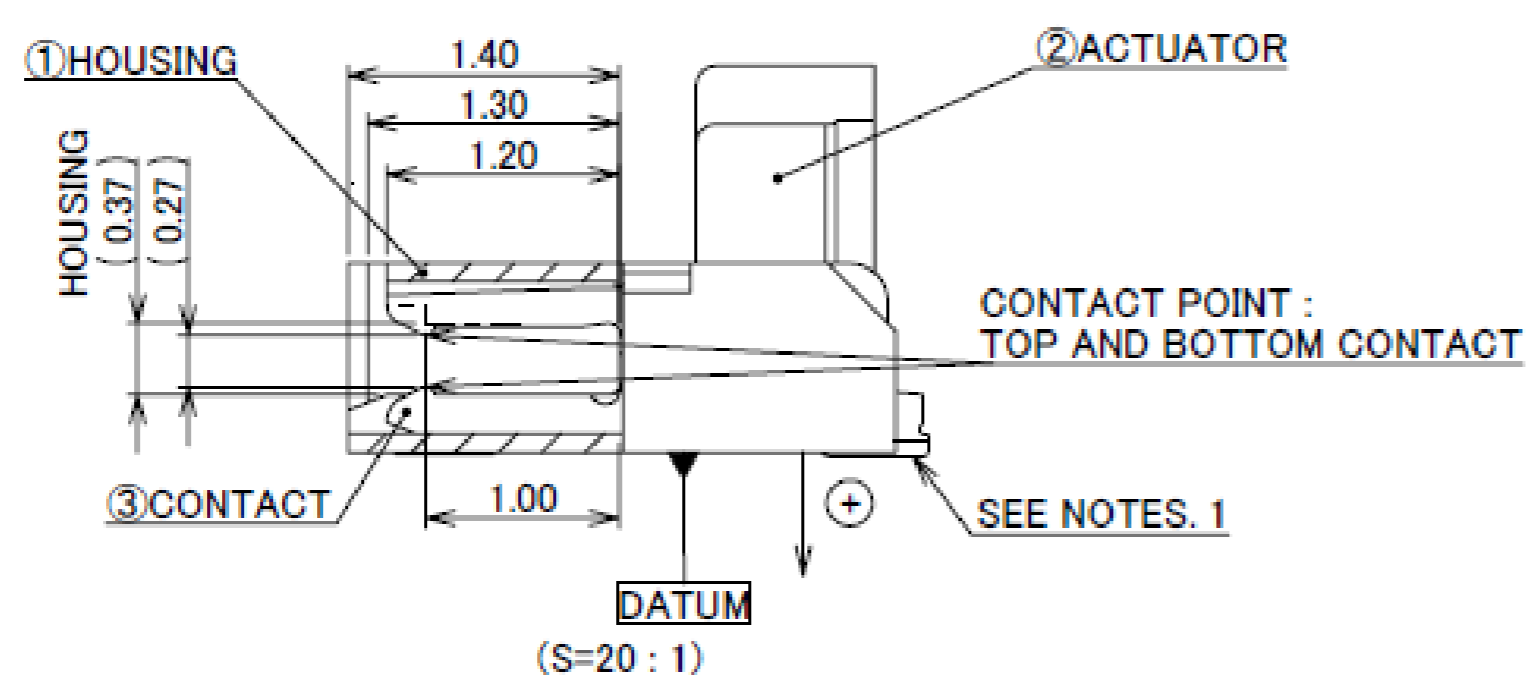
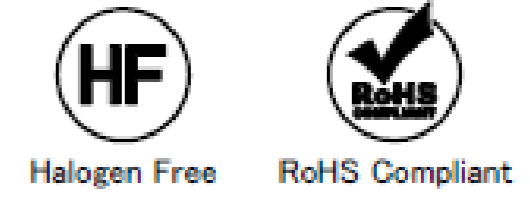
Rev.8

Recommended P/N 20586-0\*\*E-01



PART No.	POS.	A	B	C	D	E	F
20586-032E-01	32	15.50	17.70	16.80	16.56	17.15	10.80
20586-034E-01	34	16.50	18.70	17.80	17.56	18.15	11.80
◆ 20586-036E-01	36	17.50	19.70	18.80	18.56	19.15	8.80
20586-040E-01	40	19.50	21.70	20.80	20.56	21.15	10.80
◆ 20586-044E-01	44	21.50	23.70	22.80	22.56	23.15	12.80
◆ 20586-048E-01	48	23.50	25.70	24.80	24.56	25.15	9.80
20586-050E-01	50	24.50	26.70	25.80	25.56	26.15	10.80
20586-054E-01	54	26.50	28.70	27.80	27.56	28.15	12.80
◆ 20586-060E-01	60	29.50	31.70	30.80	30.56	31.15	15.80

CAUTION VISIT OUR WEBSITE FOR LATEST VERSIONS OF INSTRUCTION MANUAL NO. HIM-12019 TO HANDLE THE PRODUCT PROPERLY AND SAFELY.

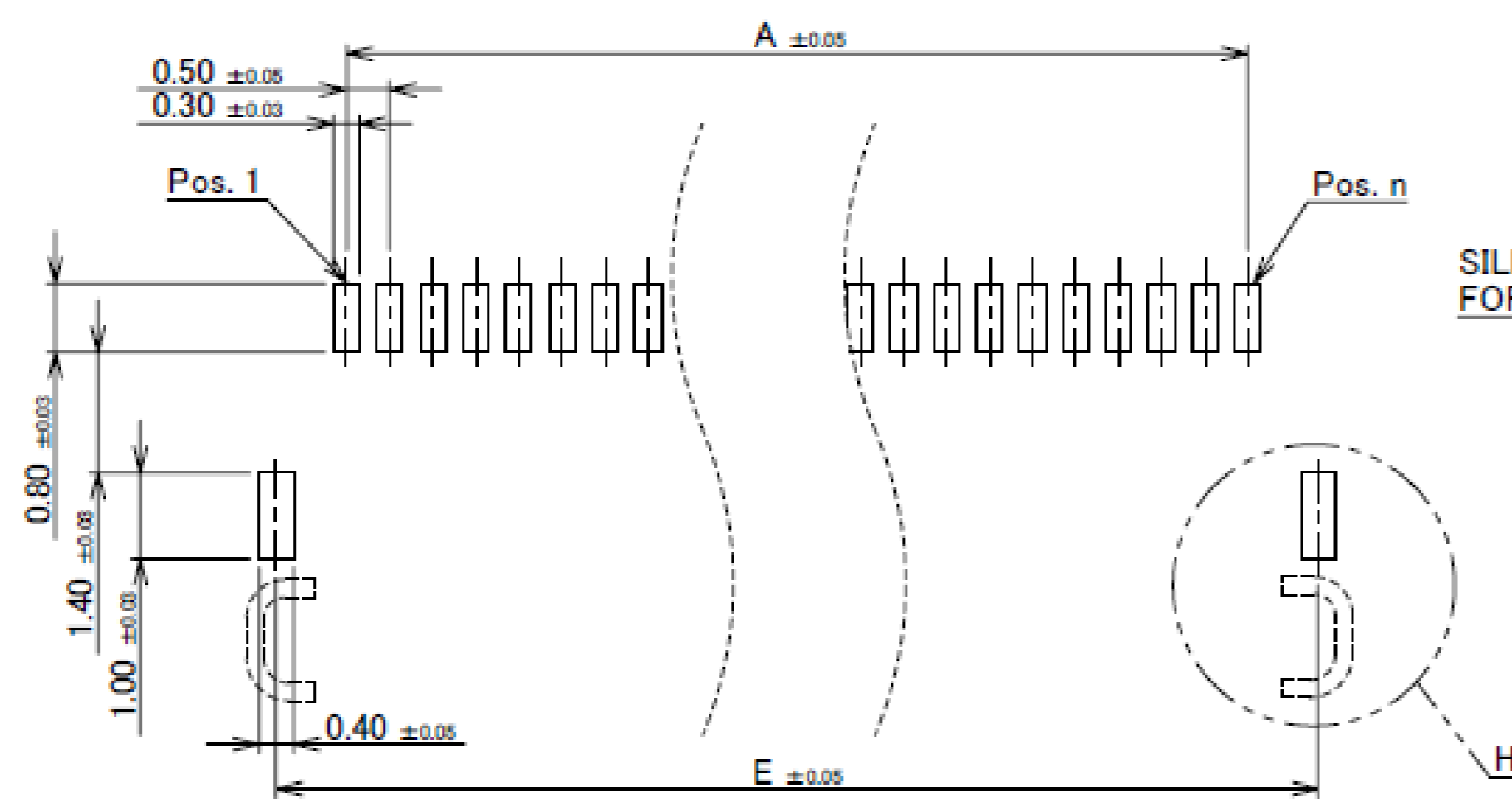


NO.	DISCRIPTION	MATERIAL	FINISH , REMARKS
4	HOLD DOWN	PHOSPHOR BRONZE	Sn 2~6 $\mu$ m MIN.OVER Ni 1.00 $\mu$ m MIN.
3	CONTACT	PHOSPHOR BRONZE	CONTACT AREA : Au 0.1 $\mu$ m MIN. OVER Ni 1.0 $\mu$ m MIN.
2	ACTUATOR	LCP	SOLDERING AREA : Au 0.03 $\mu$ m MIN. OVER Ni 1.0 $\mu$ m MIN.
1	HOUSING	LCP	UL94V-0, BEIGE

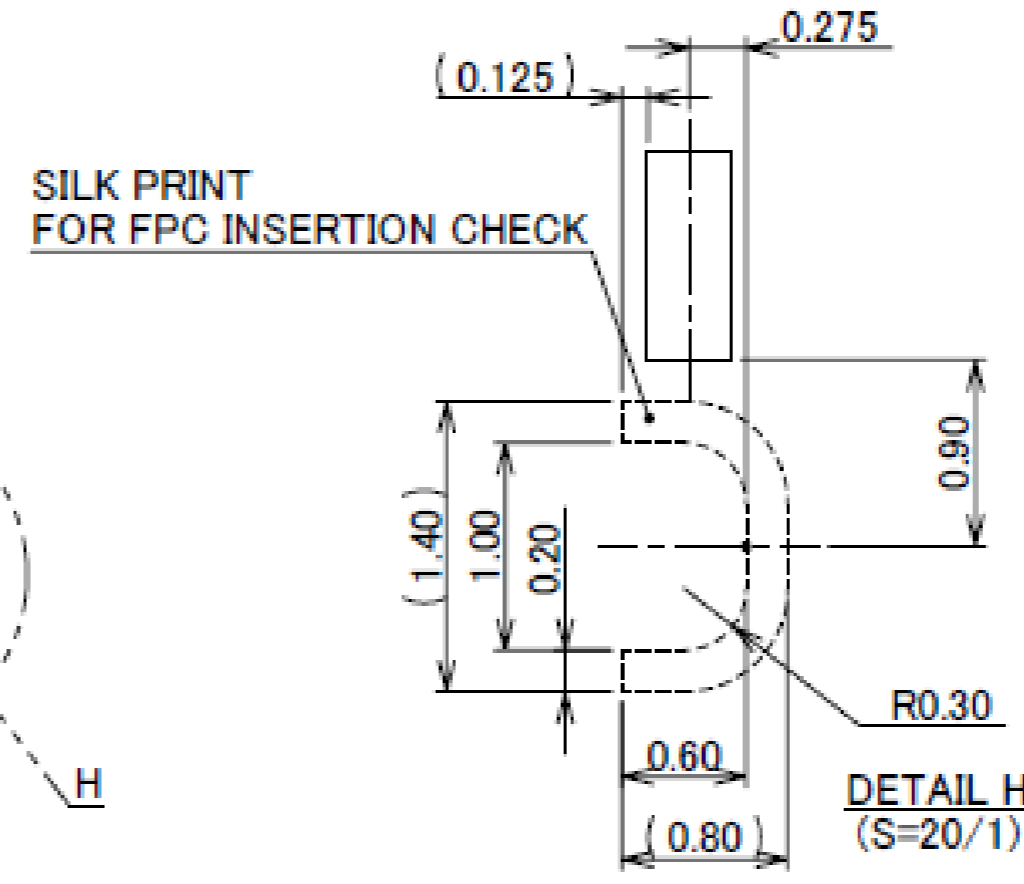
NOTES  
1. CONTACT TAIL IS PROJECTION FROM HOUSING IN THE + DIRECTION. (0~0.06)

Rev.8

# Connector Assembly

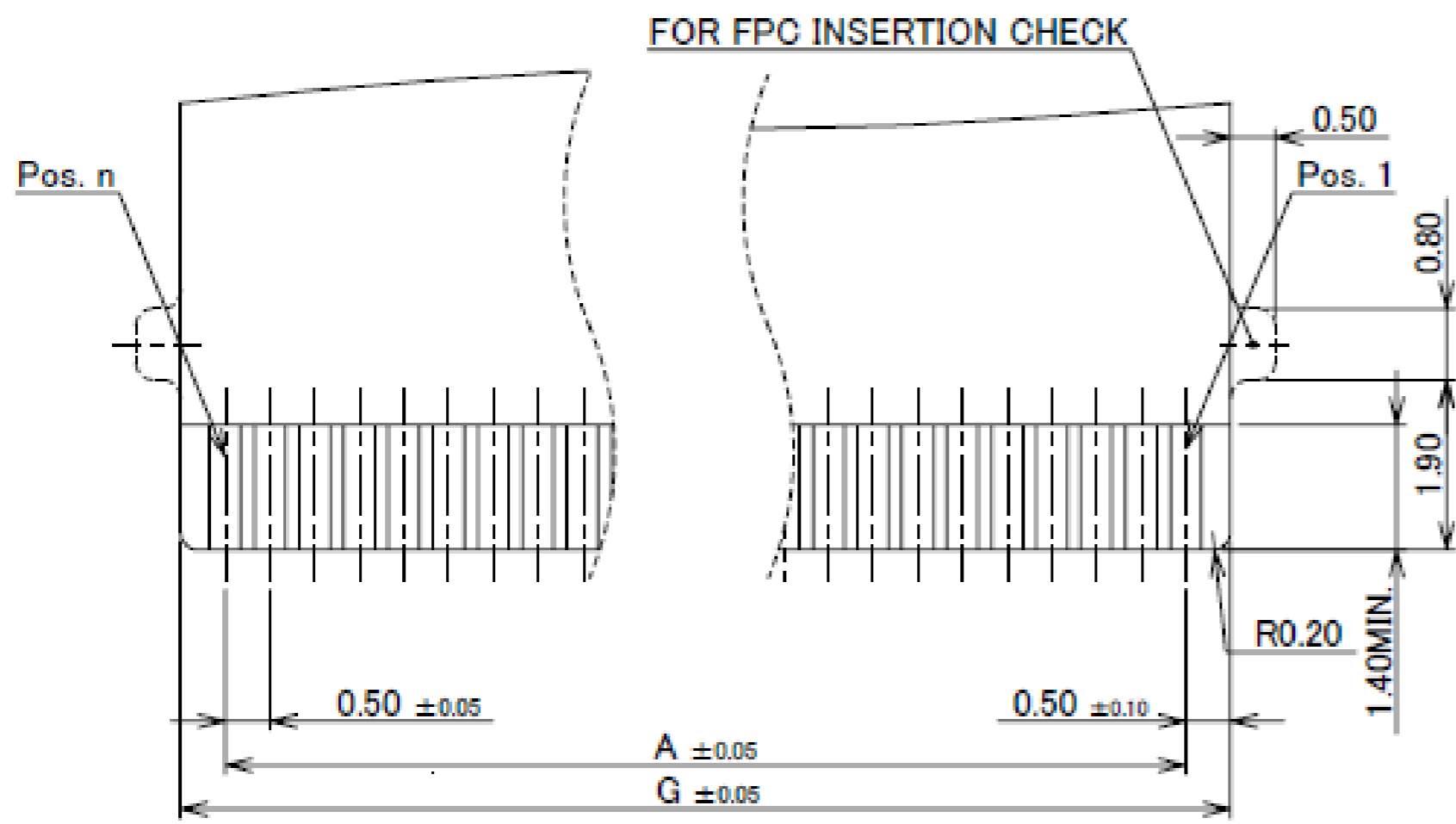


RECOMMENDED PCB LAYOUT & METAL MASK LAYOUT  
METAL MASK THICKNESS : t=0.12mm

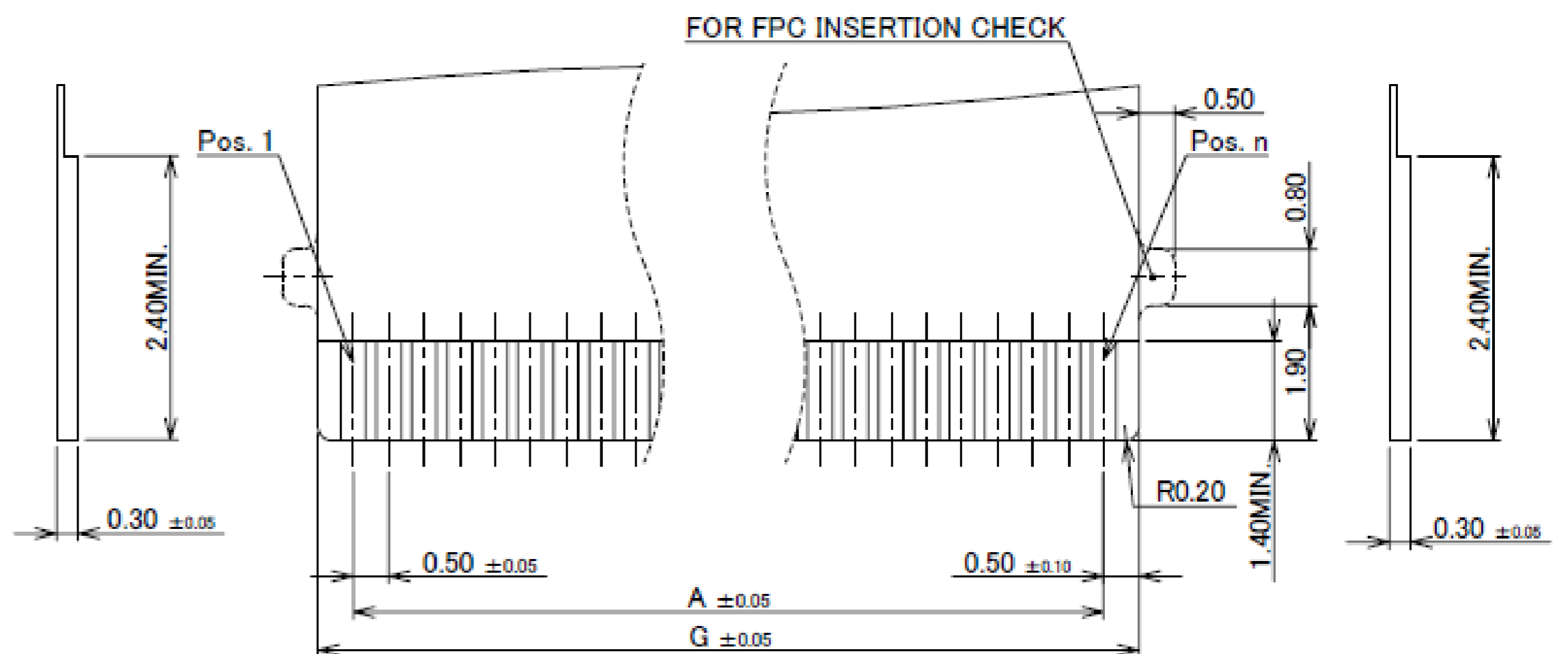


PART No.	POS.	A	E	G
20586-032E-01	32	15.50	17.15	16.50
20586-034E-01	34	16.50	18.15	17.50
◆20586-036E-01	36	17.50	19.15	18.50
20586-040E-01	40	19.50	21.15	20.50
◆20586-044E-01	44	21.50	23.15	22.50
◆20586-048E-01	48	23.50	25.15	24.50
20586-050E-01	50	24.50	26.15	25.50
20586-054E-01	54	26.50	28.15	27.50
◆20586-060E-01	60	29.50	31.15	30.50

◆ MARK MEANS NOT AVAILABLE



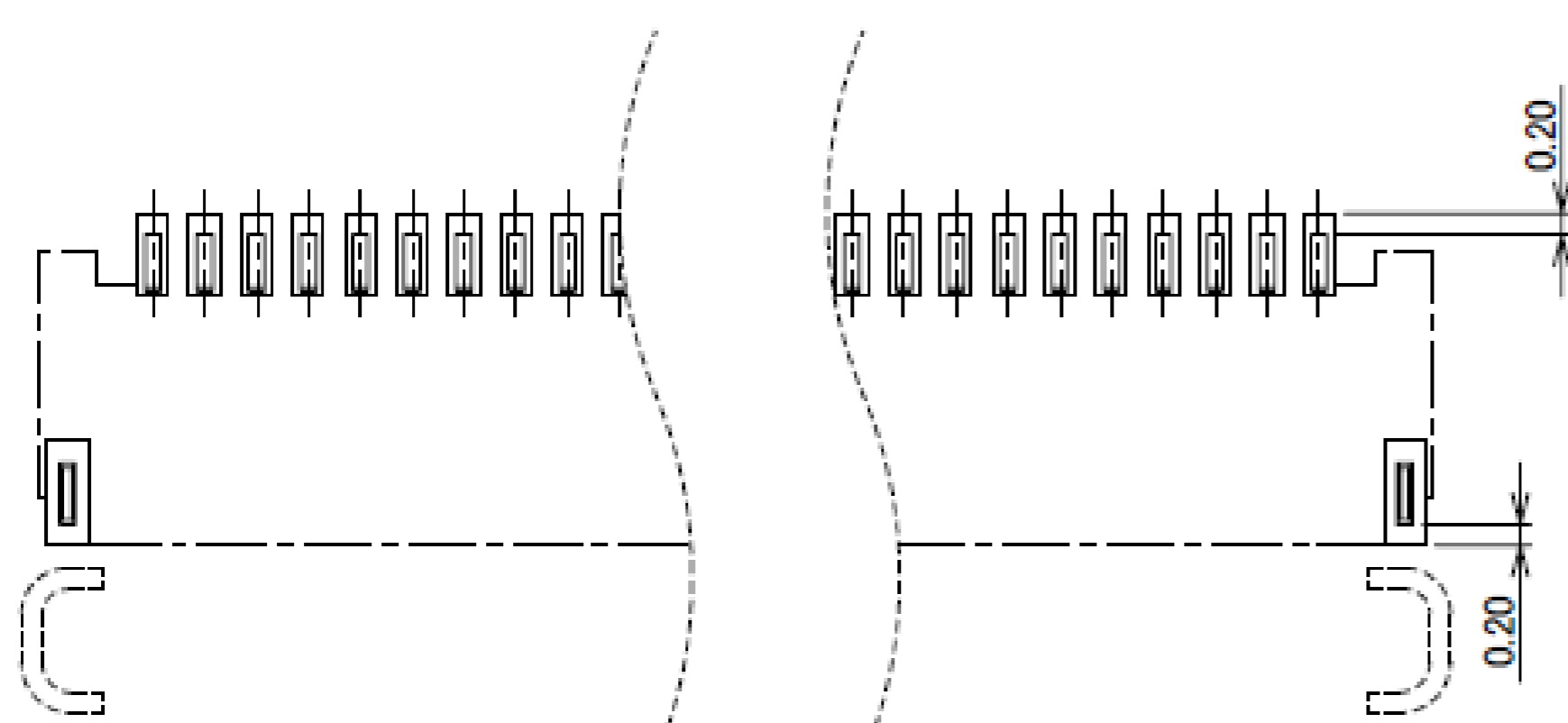
RECOMMENDED FPC LAYOUT (TOP CONTACT TYPE)



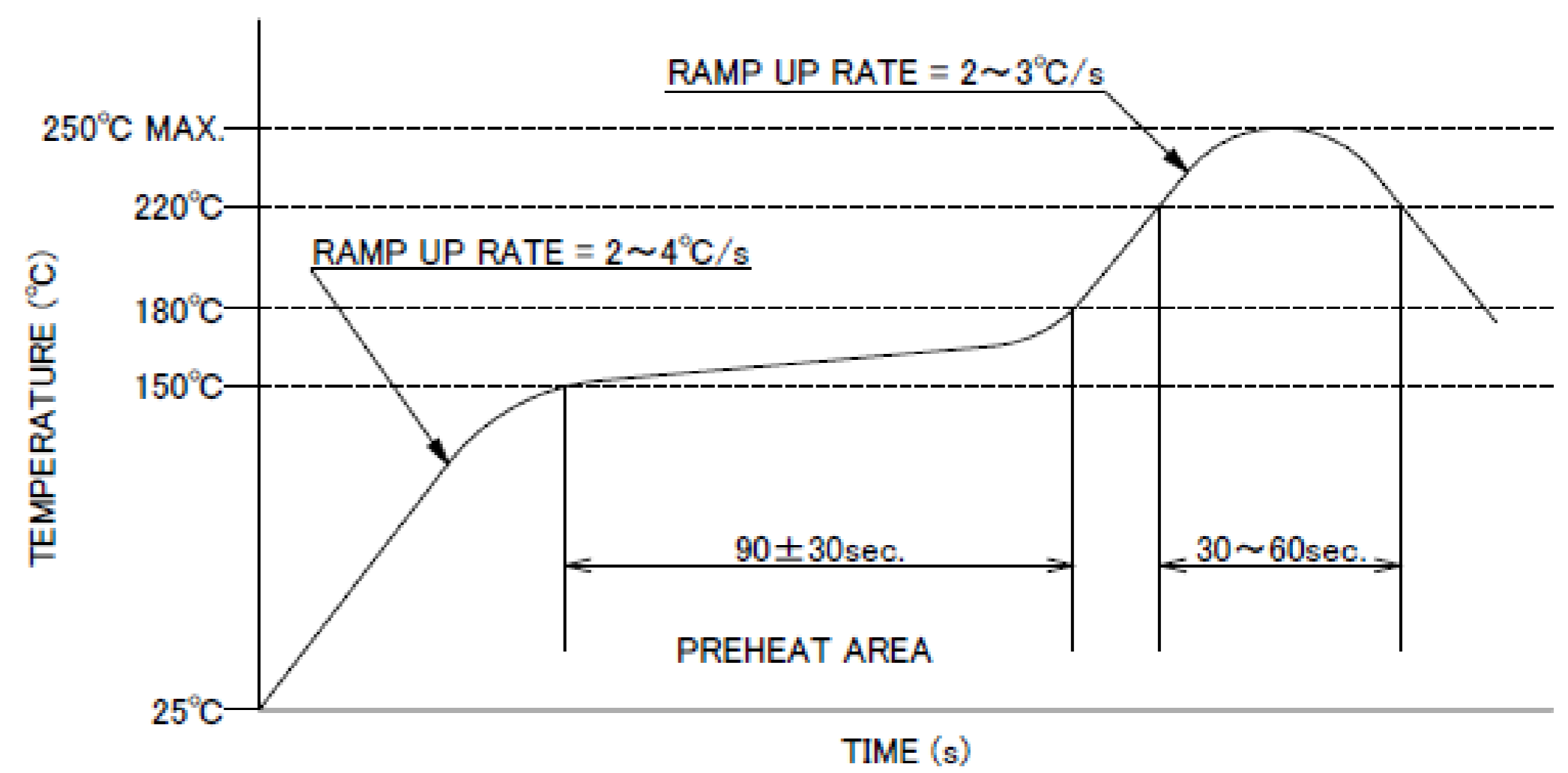
RECOMMENDED FPC LAYOUT (BOTTOM CONTACT TYPE)

- NOTES  
2. MATERIAL  
COVER FILM : PI  
CONDUCTOR : COPPER(RARE)  
BASE FILM : PI  
STIFFENER : PI  
ADHESIVE : THERMOSETTING ADHESIVE  
3. FINISH  
Au OVER Ni PLATING.

Rev.8



CONNECTOR ON RECOMMENDED FOOTPRINT PATTERN



REFLOW TEMPERATURE PROFILE  
SENJU METAL INDUSTRY CO., LTD. : M705-SHF(Sn96.5 Ag3.0 Cu0.5)

# Connector Assembly

ITEMS	SPECIFICATION
RATING VOLTAGE	50V AC (PER CONTACT PIN)
RATING AMPERAGE	0.5A DC (PER CONTACT PIN) 7.0A DC (PER CONNECTOR)
OPERATING TEMPERATURE	233~398K(-40°C~125°C)
OPERATING HUMIDITY	80% MAX.(NON-CONDENSING)
CONTACT RESISTANCE	INITIAL : 40mohm MAX. / AFTER TEST : $\leq$ 120mohm MAX.
INSULATION RESISTANCE	100Mohm MIN.
DIELECTRIC WITHSTANDING VOLTAGE	AC200V 1min
DURABILITY	20TH CYCLES
ACTUATOR LOCKING FORCE (INITIAL / 20TH CYCLES)	INITIAL / 20TH CYCLES : 0.43N (44gf) $\times$ n MAX.
ACTUATOR UNLOCKING FORCE (INITIAL / 20TH CYCLES)	INITIAL / 20TH CYCLES : 0.025N (2.5gf) $\times$ n MIN.
FPC RETENTION FORCE (INITIAL / AFTER TEST)	INITIAL / AFTER TEST : 0.15N (15gf) $\times$ n MIN.
COPLANARITY	0.08 MAX.
PRODUCT SPECIFICATION	PRS-2056
TEST REPORT	TR-15070
PACKING STANDARD	PST-13064
INSTRUCTION MANUAL	HIM-12019
APPEARANCE CRITERIA No.	QLS-A***


※ "n" IS THE NUMBER OF PIN

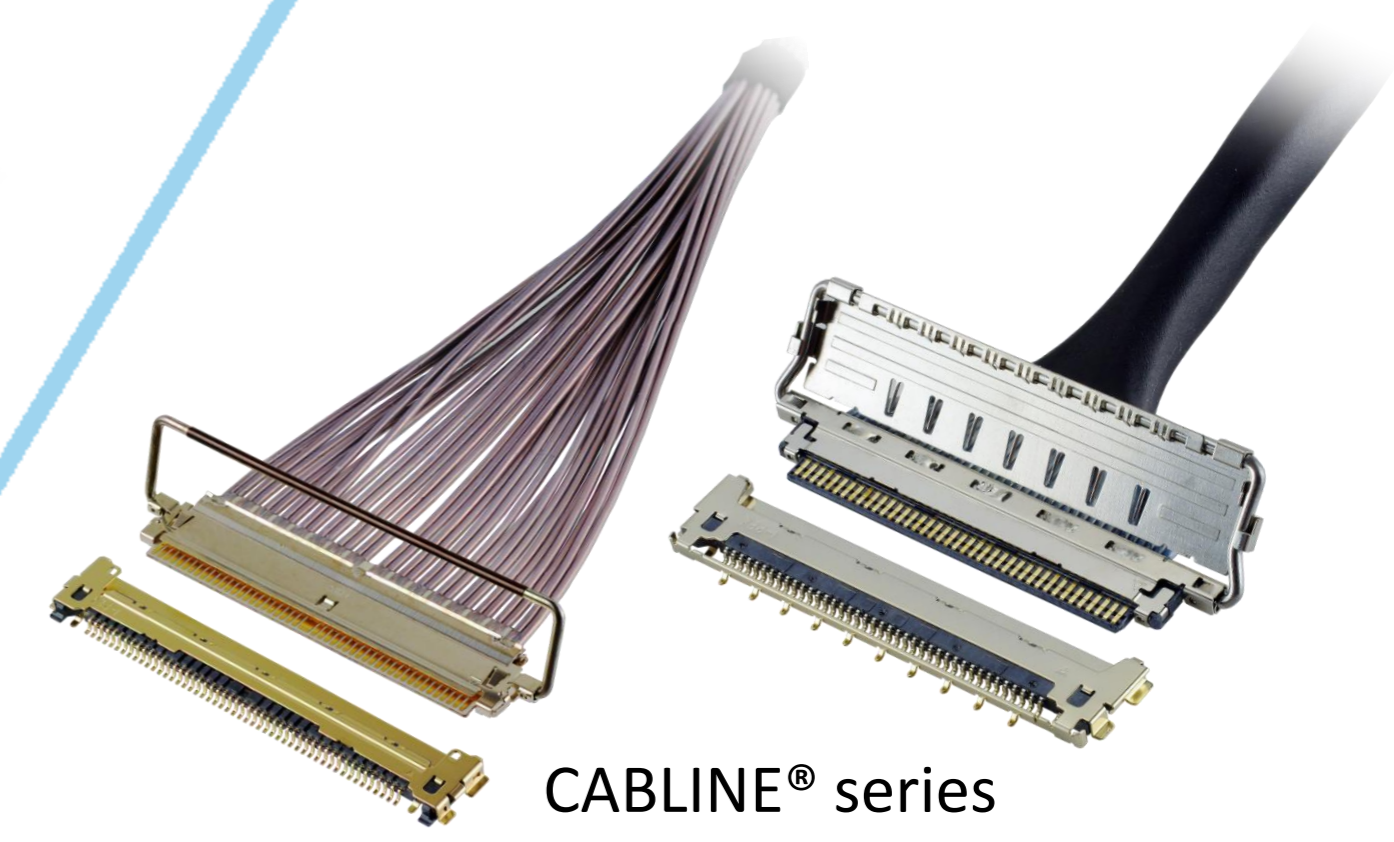
# Custom Connectors Available

 RF Connector

MHF® series



 CABLINE® series  
Micro-coaxial/Twinax/  
Discrete Wire Connector



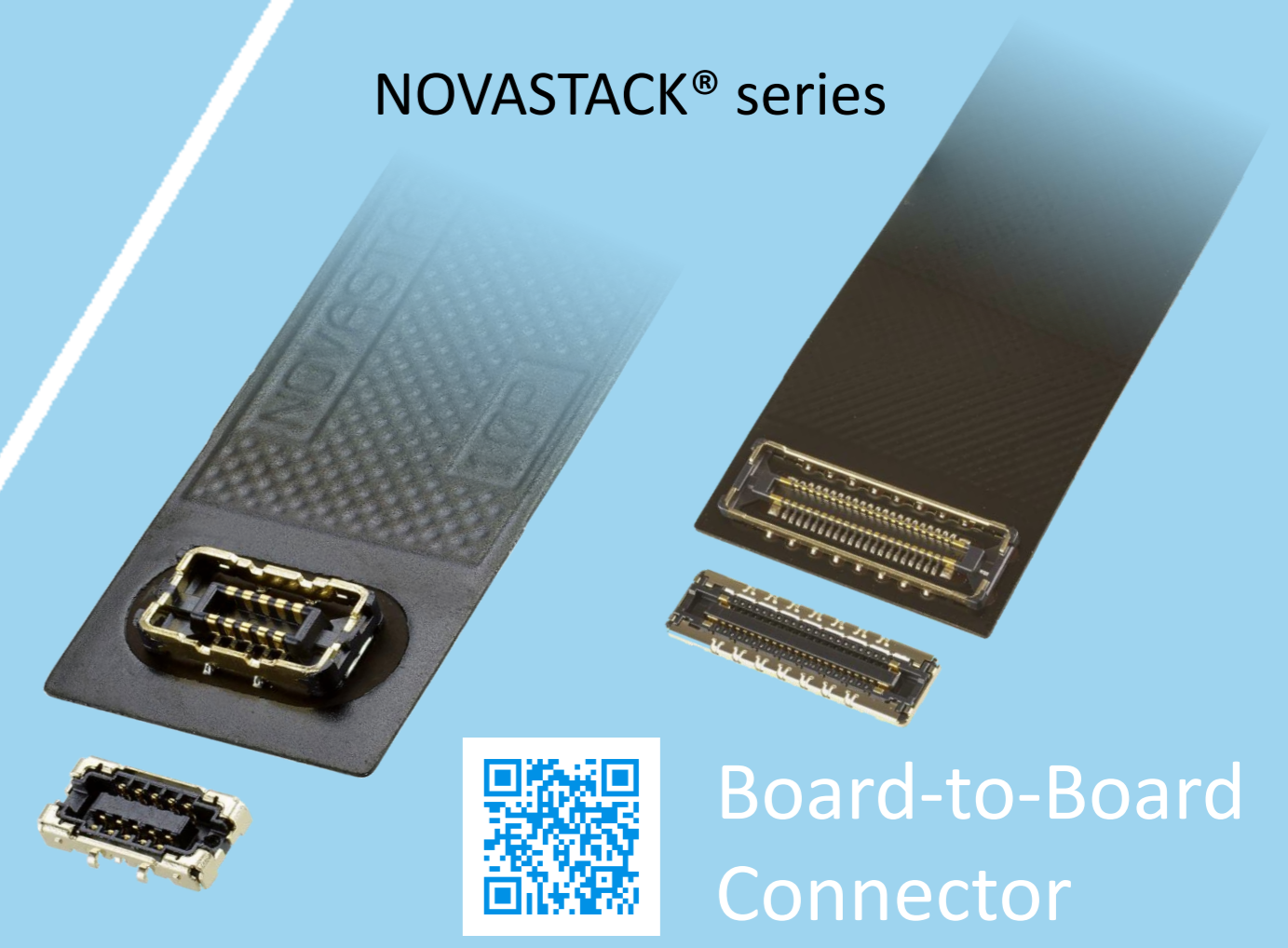
 Optical Module

LIGHTPASS® series



NOVASTACK® series

 Board-to-Board Connector



 Power Connector/  
Terminal

AP series

ISH® series



MINIFLEX® series

EVAFLEX® series

 FPC FFC Connector

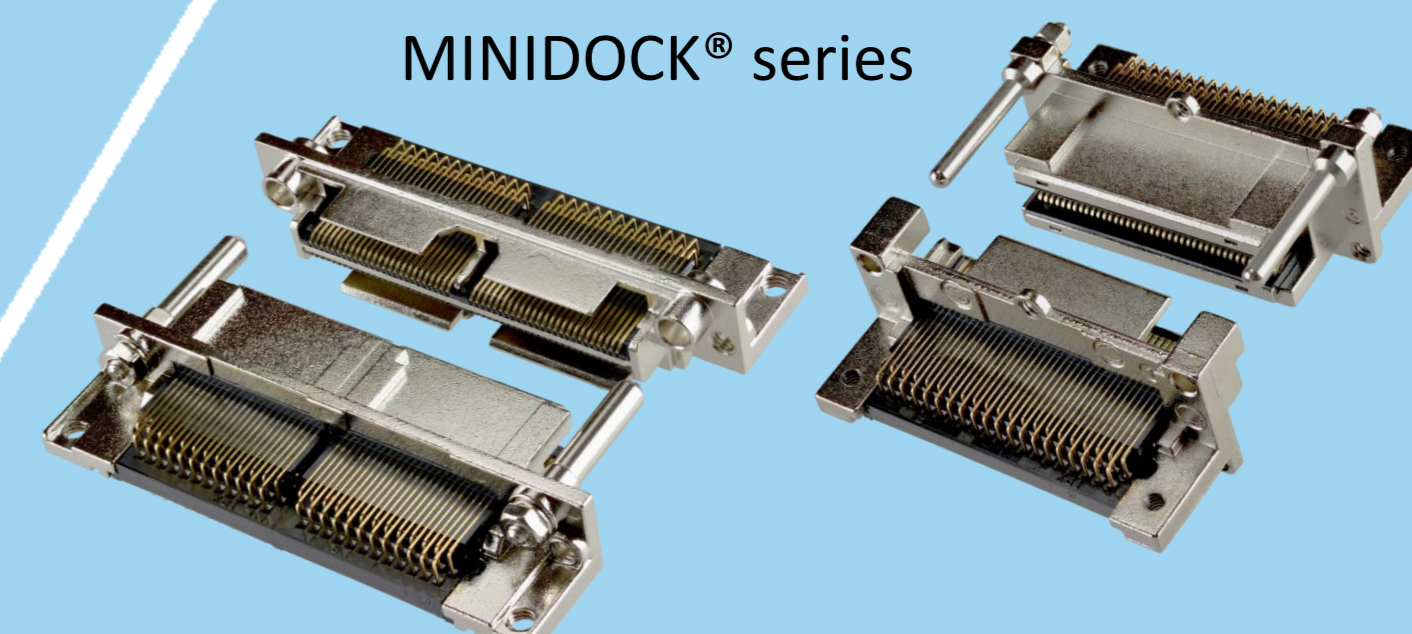


Inquiry



MINIDOCK® series

 I/O Connector



I-PEX, MHF, CABLINE, LIGHTPASS, NOVASTACK, ISH, IARPB, MINIFLEX, EVAFLEX, MINIDOCKS and ZenShield are registered trademarks of I-PEX Inc. Please note that the contents in the catalog might be changed without prior notification. I-PEX Inc. assumes no responsibility for any inaccuracies or obligation to update information on these documents. Please be sure to read and understand the latest "Precautions for Use" and "Instruction Manual" before you use our products. We shall not be responsible for any defects, damages or troubles in case you use our products without following the precautions for use. Please feel free to contact our sales representatives when you use our products for any applications that require very high reliability and safety, or that relate to human life (ex. nuclear power control, aerospace, transportation, medical equipment, safety equipment etc.).

Contact your sales representative or more detailed information.

[www.i-pex.com](http://www.i-pex.com)



# I-PEX

© I-PEX Inc. 2024  
All rights reserved