

MINIFLEX® 4-ST

超低背（高さ = 0.5 mm）、0.4 mmピッチ、水平嵌合、バックフリップ

Product Specifications:

Board Pitch (mm)	0.4	
Wiping Length (mm)	0.8	
Size (mm)	Height	0.50 +/- 0.05
	Width	Formula: 1.9+(0.4*p)
	Depth	Open: 2.7 Close: 3.0
Pin counts	Range	4-15
	Available	4, 6, 8, 10, 12

Applicable FPC/FFC:

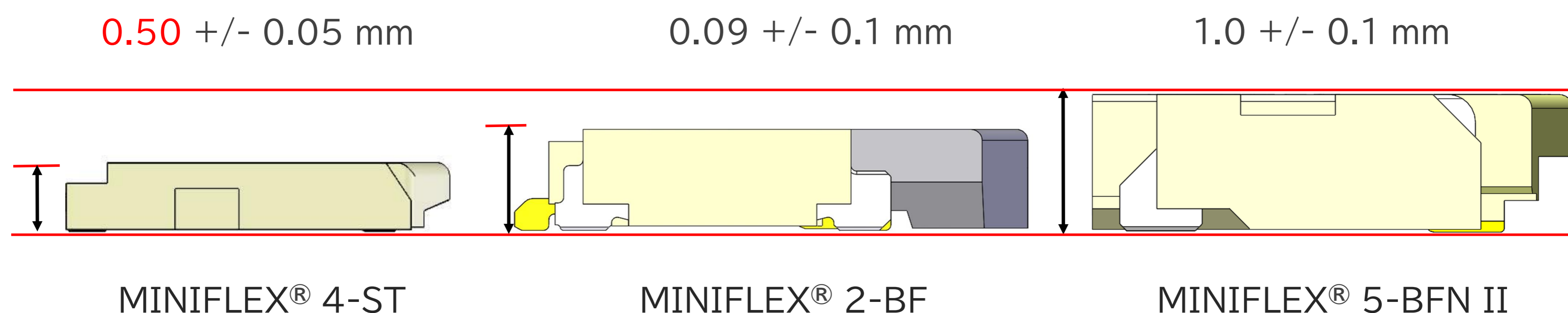
FPC/FFC Contact Pitch	0.4
FPC/FFC Contact Point	Top
FPC/FFC Thickness (mm)	0.12 +/- 0.03

*記載のない極数の対応状況についてはお問い合わせください。

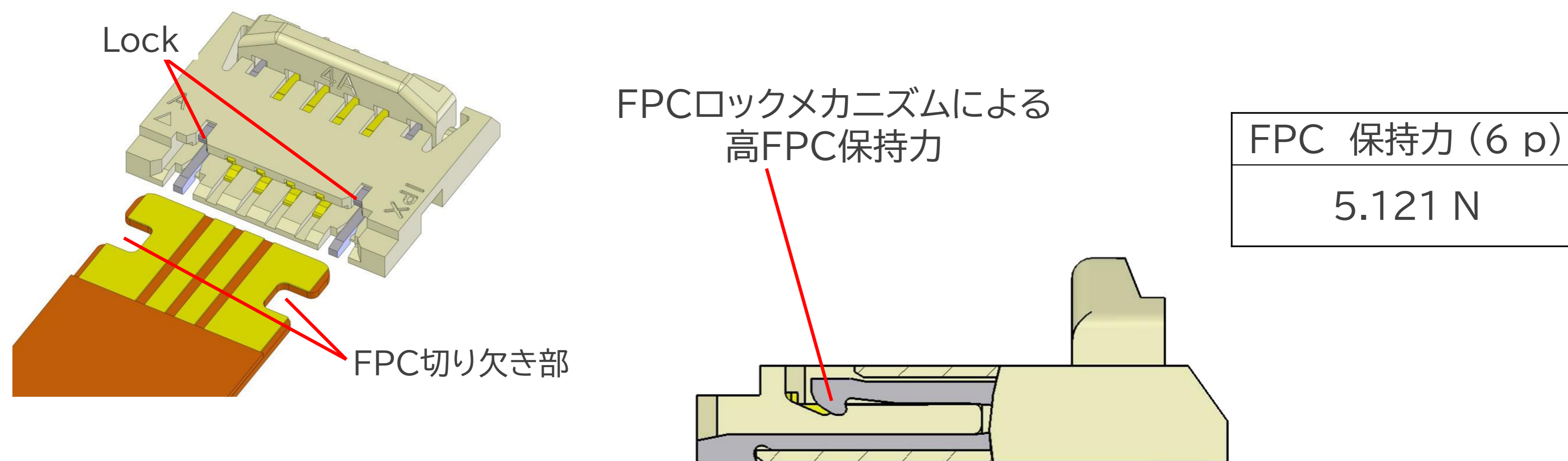


▶ 超低背0.5 mm

MINIFLEX シリーズラインアップ中、最低背コネクタ



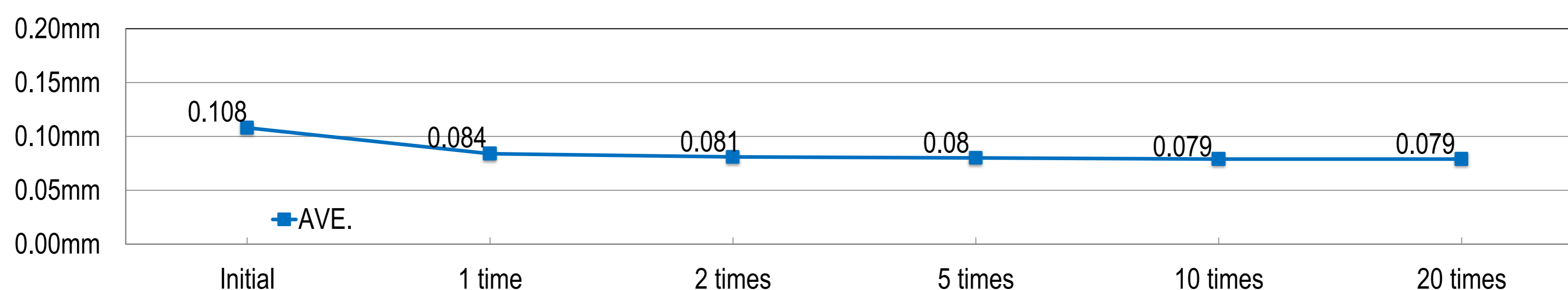
▶ メカニカルロックによる高FPC保持力



▶ FPC未挿入状態でのアクチュエータ空閉じ操作

SMTプロセス後に、もしもFPC未挿入状態でアクチュエータを操作してしまった場合でも十分にコネクタとして機能します

■ FPC未挿入状態でのアクチュエータ空閉じ操作前後のコンタクト接点間寸法（表図 MINIFLEX® 4-ST 10 pins）



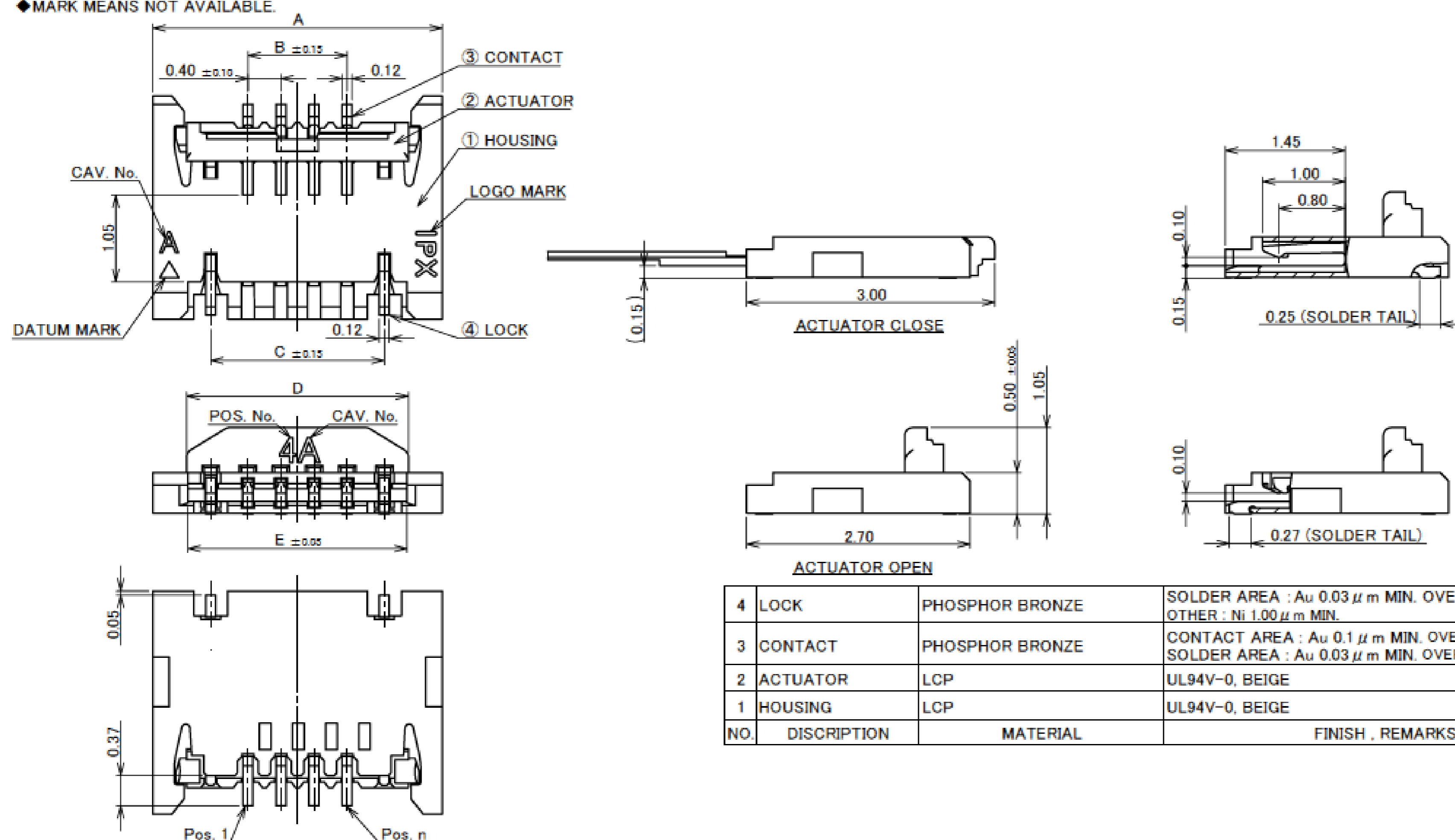
- FPC挿入力は上昇します
- FPC保持力に大きな変化はありません

Component Parts Details

Connector Assembly

Recommended P/N		20588-0**E-01				
PART No.	Pos.	A	B	C	D	E
20588-004E-01	4P	3.50	1.20	2.10	2.68	2.65
20588-006E-01	6P	4.30	2.00	2.90	3.48	3.45
20588-008E-01	8P	5.10	2.80	3.70	4.28	4.25
20588-010E-01	10P	5.90	3.60	4.50	5.08	5.05
20588-012E-01	12P	6.70	4.40	5.30	5.88	5.85
◆20588-014E-01	14P	7.50	5.20	6.10	6.68	6.65
◆20588-015E-01	15P	7.90	5.60	6.50	7.08	7.05

◆MARK MEANS NOT AVAILABLE.



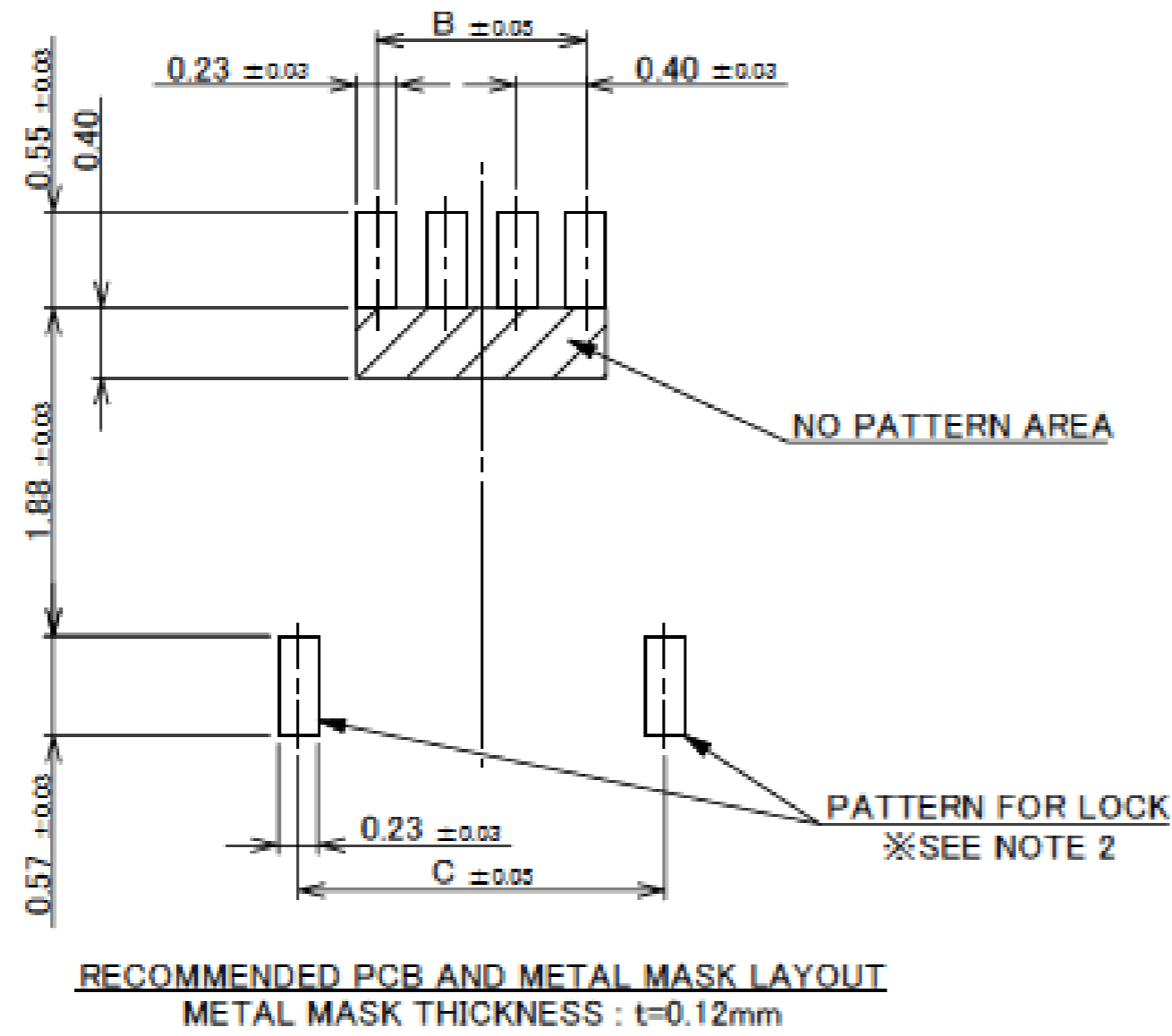
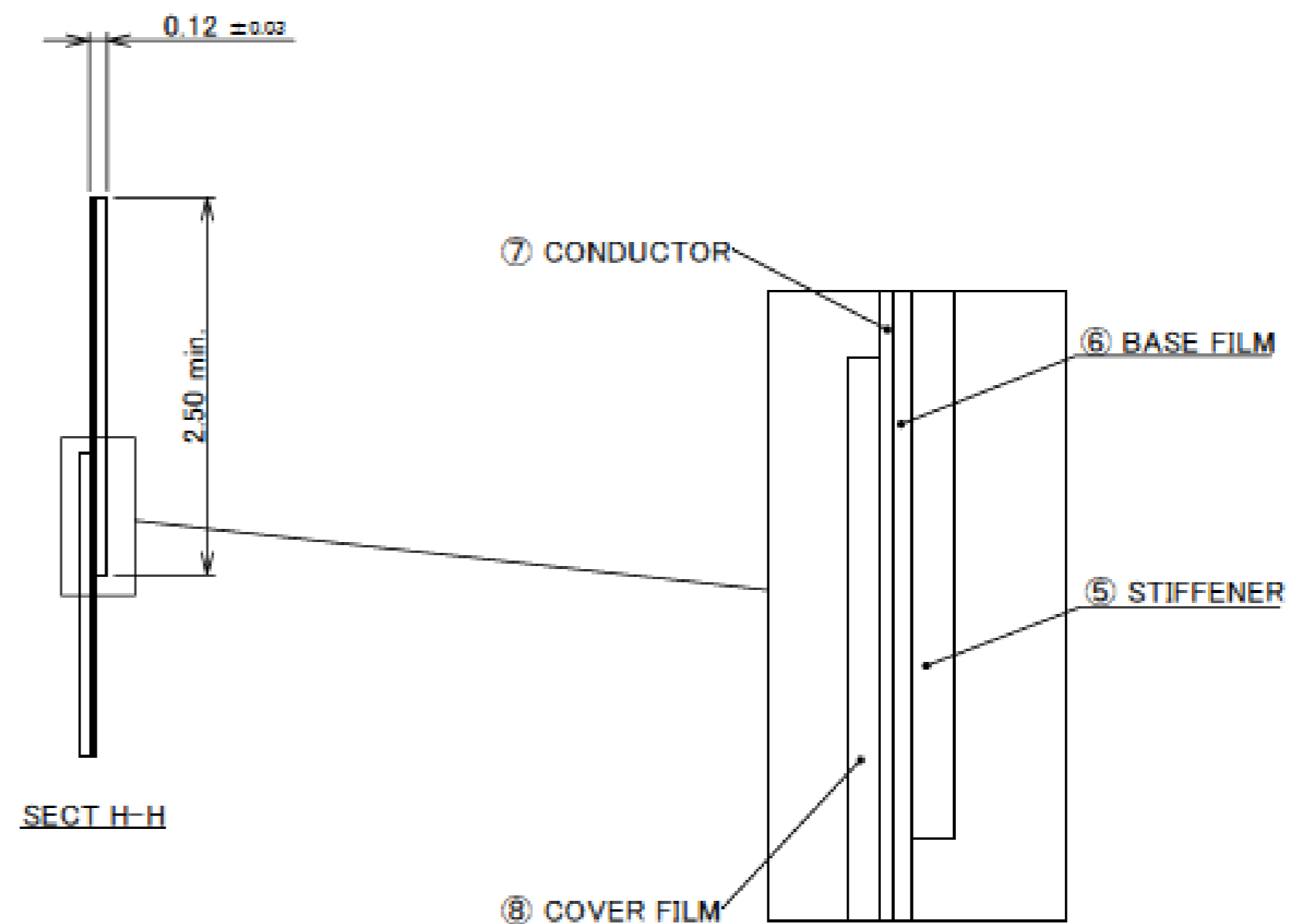
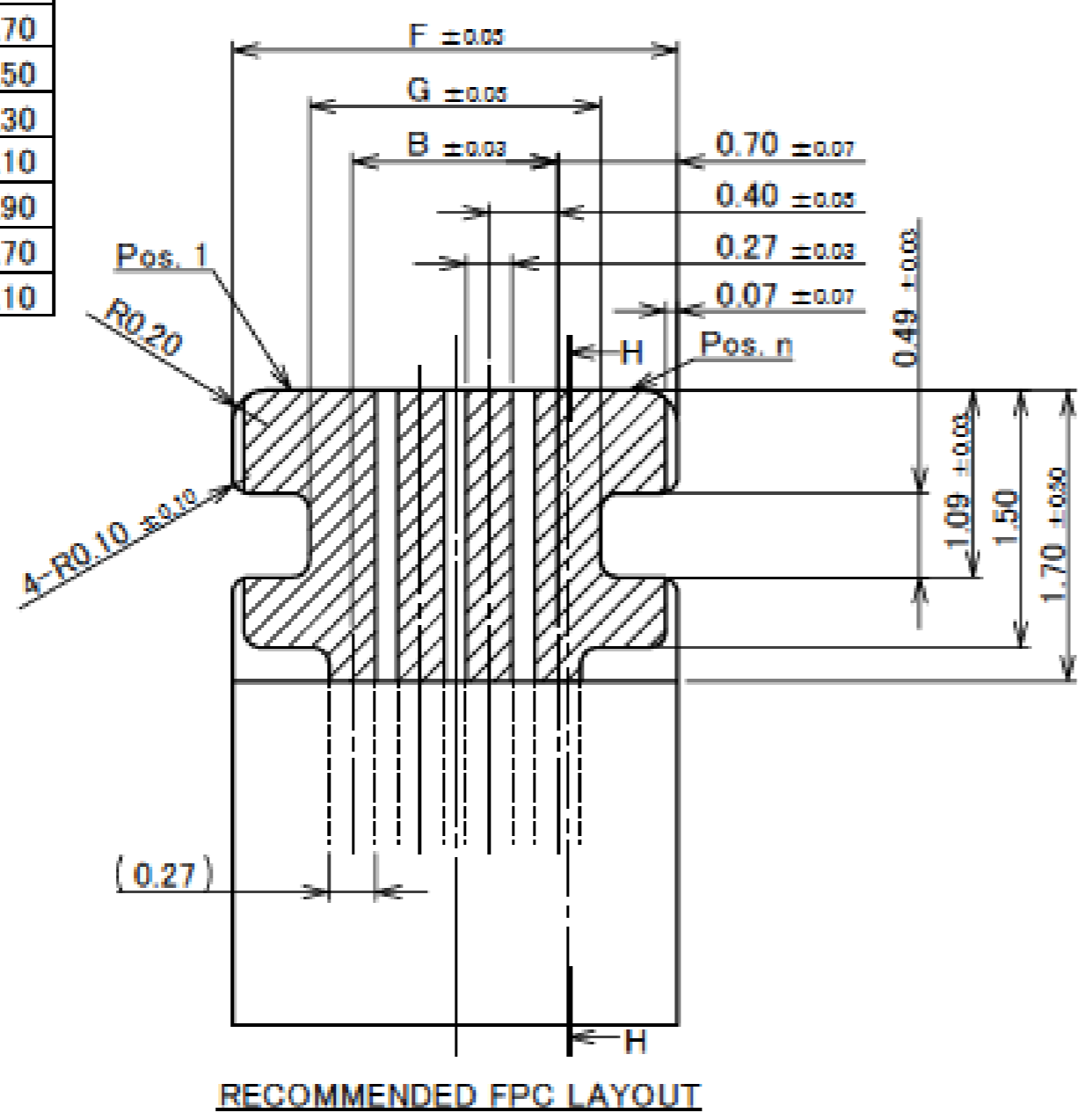
4	LOCK	PHOSPHOR BRONZE	SOLDER AREA : Au 0.03 μ m MIN. OVER Ni 1.00 μ m MIN. OTHER : Ni 1.00 μ m MIN.
3	CONTACT	PHOSPHOR BRONZE	CONTACT AREA : Au 0.1 μ m MIN. OVER Ni 1.00 μ m MIN. SOLDER AREA : Au 0.03 μ m MIN. OVER Ni 1.00 μ m MIN.
2	ACTUATOR	LCP	UL94V-0, BEIGE
1	HOUSING	LCP	UL94V-0, BEIGE
NO.	DISCRIPTION	MATERIAL	FINISH , REMARKS

NOTES
1. CONTACT POINT : ONLY UPPER CONTACT

Rev.8

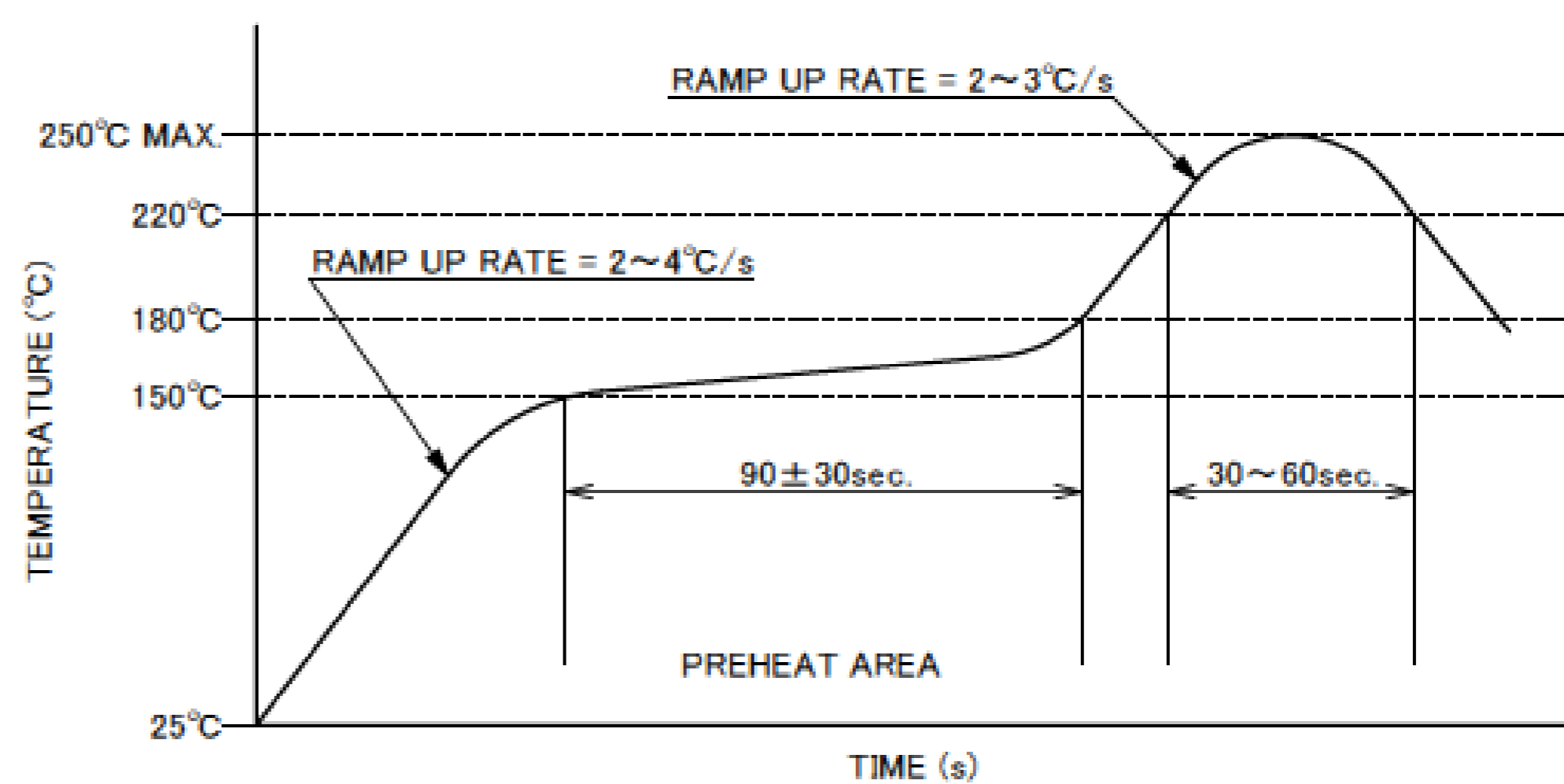
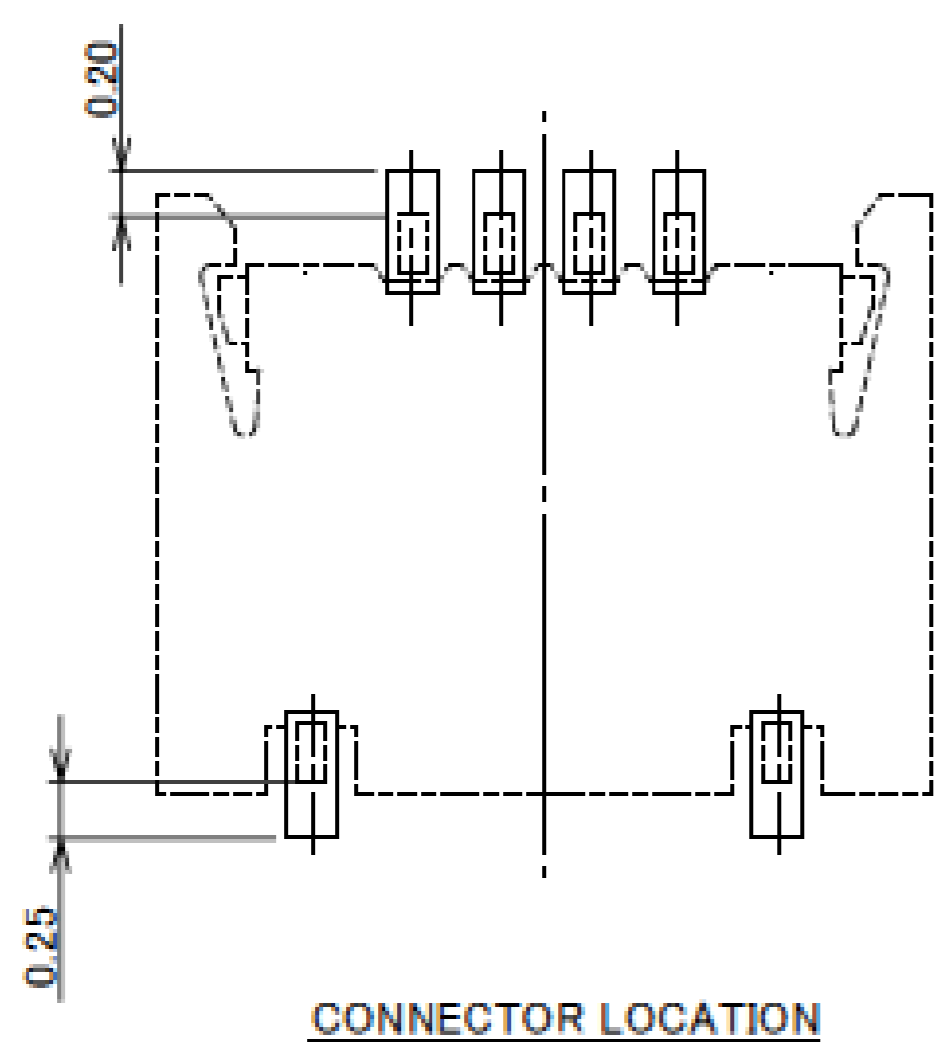
Connector Assembly

Pos.	B	C	F	G
4P	1.20	2.10	2.60	1.70
6P	2.00	2.90	3.40	2.50
8P	2.80	3.70	4.20	3.30
10P	3.60	4.50	5.00	4.10
12P	4.40	5.30	5.80	4.90
14P	5.20	6.10	6.60	5.70
15P	5.60	6.50	7.00	6.10



- NOTES.
- PLEASE DO NOT CONNECT THESE TWO SOLDER PADS TO THE ELECTRICAL CIRCUIT, (SIGNAL OR GROUND)
 - ADHESIVE SHOULD USE THERMOSETTING.

NO.	DISCRIPTION	MATERIAL	FINISH, REMARKS
8	COVER FILM	PI	
7	CONDUCTOR	COPPER	Au OVER Ni UNDER PLATING
6	BASE FILM	PI	
5	STIFFENER	PI	



SENJU METAL INDUSTRY CO., LTD. : M705-SHF(Sn96.5 Ag3.0 Cu0.5)

Connector Assembly

ITEMS	SPECIFICATION
RATING VOLTAGE	50V AC (PER CONTACT)
RATING AMPERAGE (FOR SIGNAL CONTACT)	0.4A DC (PER CONTACT)/ 6.0A DC (PER CONNECTOR)
OPERATING TEMPERATURE	233~358K(-40°C~+85°C)
OPERATING HUMIDITY	20~80% (NON-CONDENSING)
CONTACT RESISTANCE (FOR SIGNAL CONTACT)	INITIAL : 60mohm MAX. / AFTER TEST : \triangleleft 40mohm MAX.
INSULATION RESISTANCE	INITIAL : 100Mohm MIN. / AFTER TEST : 100Mohm MIN.
DIELECTRIC WITHSTANDING VOLTAGE	AC200V
DURABILITY	20 CYCLES
ACT CLOSING FORCE (INITIAL / AFTER TEST)	4P : 1.8N MAX. / 6P : 2.4N MAX. / 8P : 3.0N MAX. 10P : 3.6N MAX. / 12P : 4.2N MAX.
ACT RELEASING FORCE (INITIAL / AFTER TEST)	4P : 0.06N MIN. / 6P : 0.08N MIN. / 8P : 0.10N MIN. 10P : 0.12N MIN. / 12P : 0.14N MIN.
FPC RETENTION FORCE (INITIAL / AFTER TEST)	4P : 2.50N MIN. / 6P : 2.62N MIN. / 8P : 2.74N MIN. 10P : 2.86N MIN. / 12P : 2.98N MIN.
COPLANARITY	0.10 MAX.
PRODUCT SPECIFICATION	PRS-1863
TEST REPORT	TR-13088
PACKING STANDARD	PST-13049
INSTRUCTION MANUAL	HIM-14024
APPEARANCE CRITERIA No.	QLS-A***


Rev.8

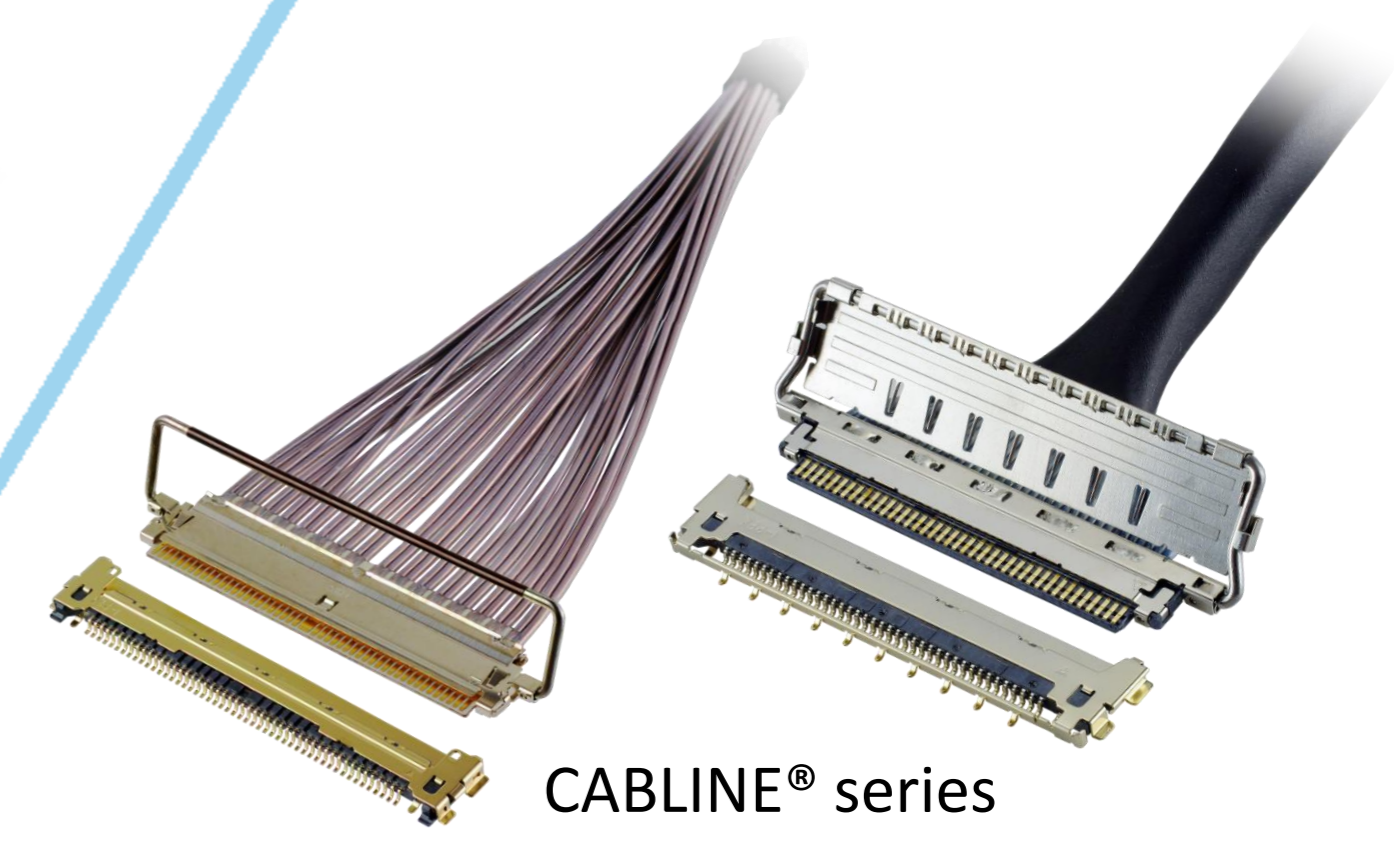
Custom Connectors Available

 RF Connector

MHF® series



 CABLINE® series
Micro-coaxial/Twinax/
Discrete Wire Connector



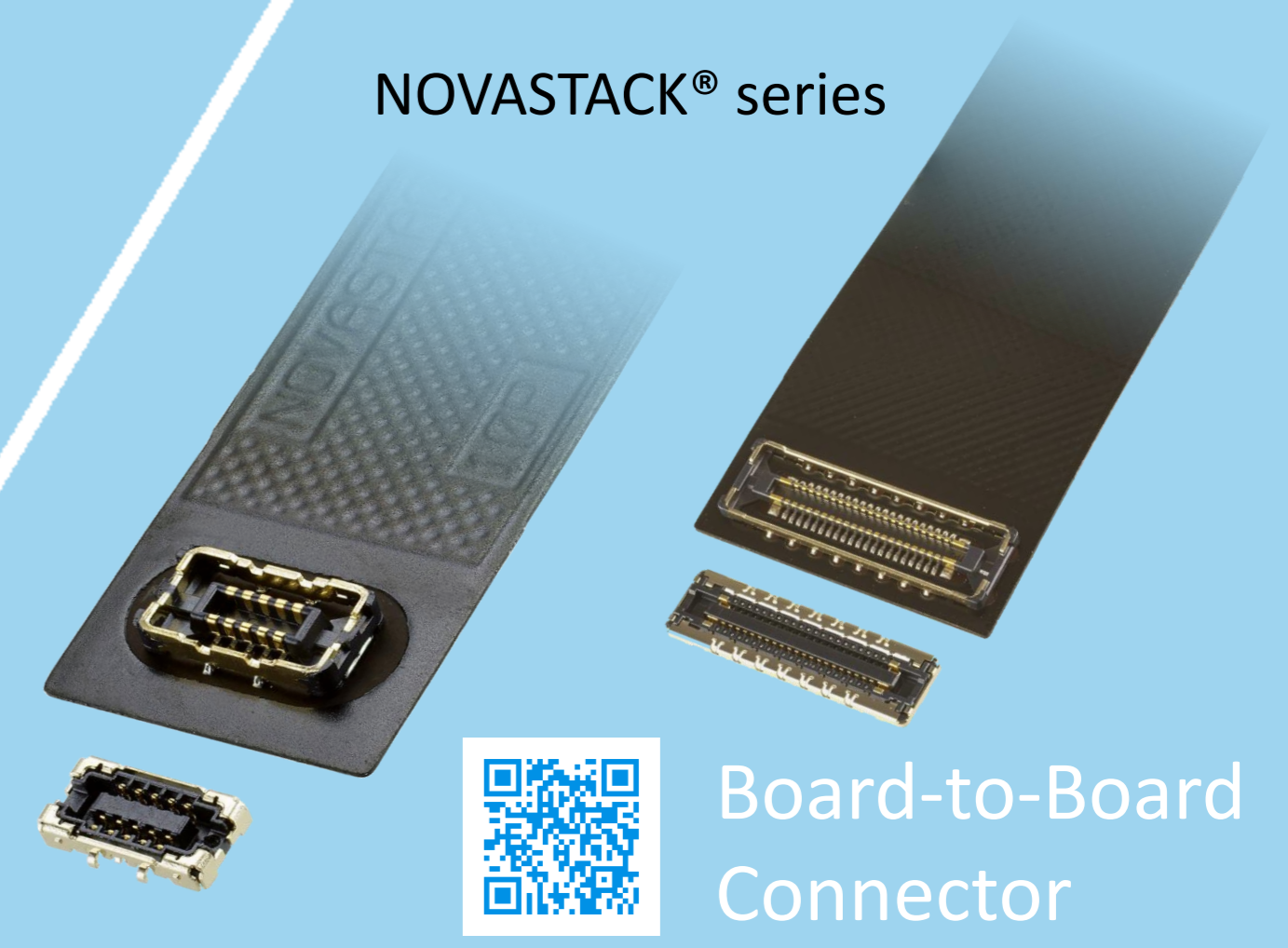
 Optical Module

LIGHTPASS® series



NOVASTACK® series

 Board-to-Board Connector



 Power Connector/
Terminal

AP series

ISH® series



MINIFLEX® series

EVAFLEX® series

 FPC FFC Connector

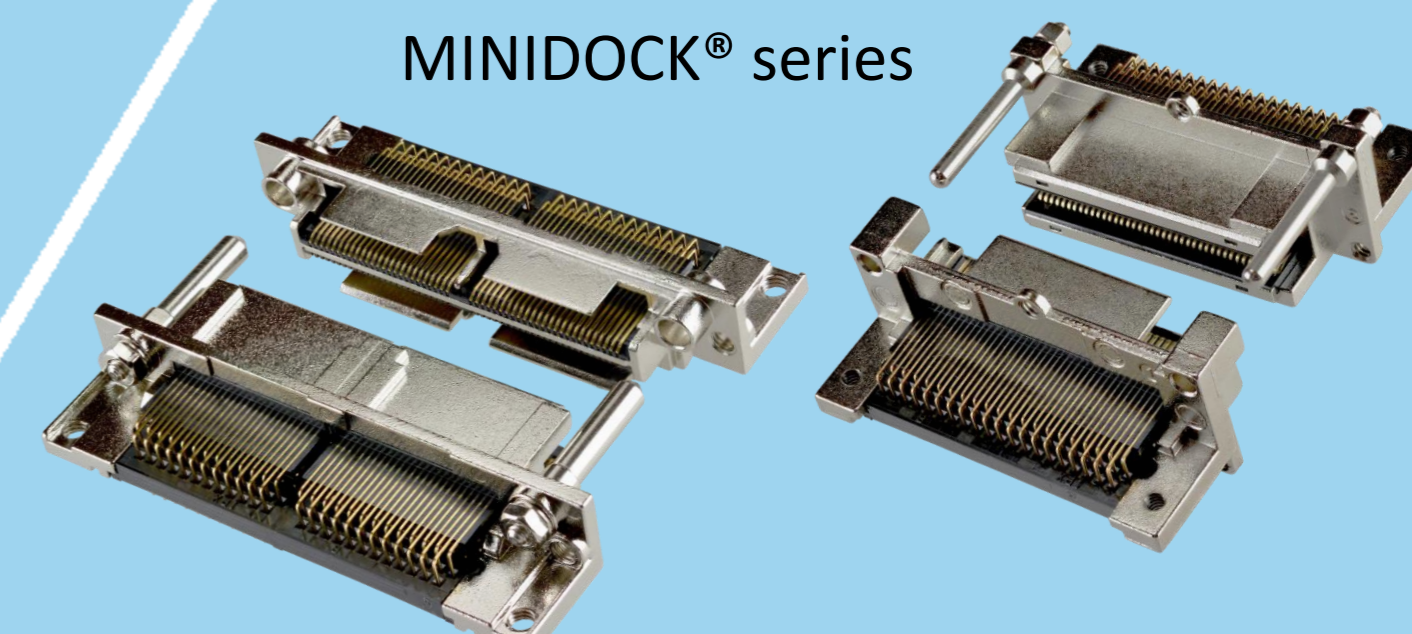


Inquiry



MINIDOCK® series

 I/O Connector



I-PEX, MHF, CABLINE, LIGHTPASS, NOVASTACK, ISH, IARPB, MINIFLEX, EVAFLEX, MINIDOCKS and ZenShield are registered trademarks of I-PEX Inc. Please note that the contents in the catalog might be changed without prior notification. I-PEX Inc. assumes no responsibility for any inaccuracies or obligation to update information on these documents. Please be sure to read and understand the latest "Precautions for Use" and "Instruction Manual" before you use our products. We shall not be responsible for any defects, damages or troubles in case you use our products without following the precautions for use. Please feel free to contact our sales representatives when you use our products for any applications that require very high reliability and safety, or that relate to human life (ex. nuclear power control, aerospace, transportation, medical equipment, safety equipment etc.).

Contact your sales representative or more detailed information.

www.i-pex.com



I-PEX

© I-PEX Inc. 2024
All rights reserved