

MINIFLEX® 3-BFNH

保持力加強，封裝兼容業內常規產品，0.3 mm間距，水平插拔，後鎖式

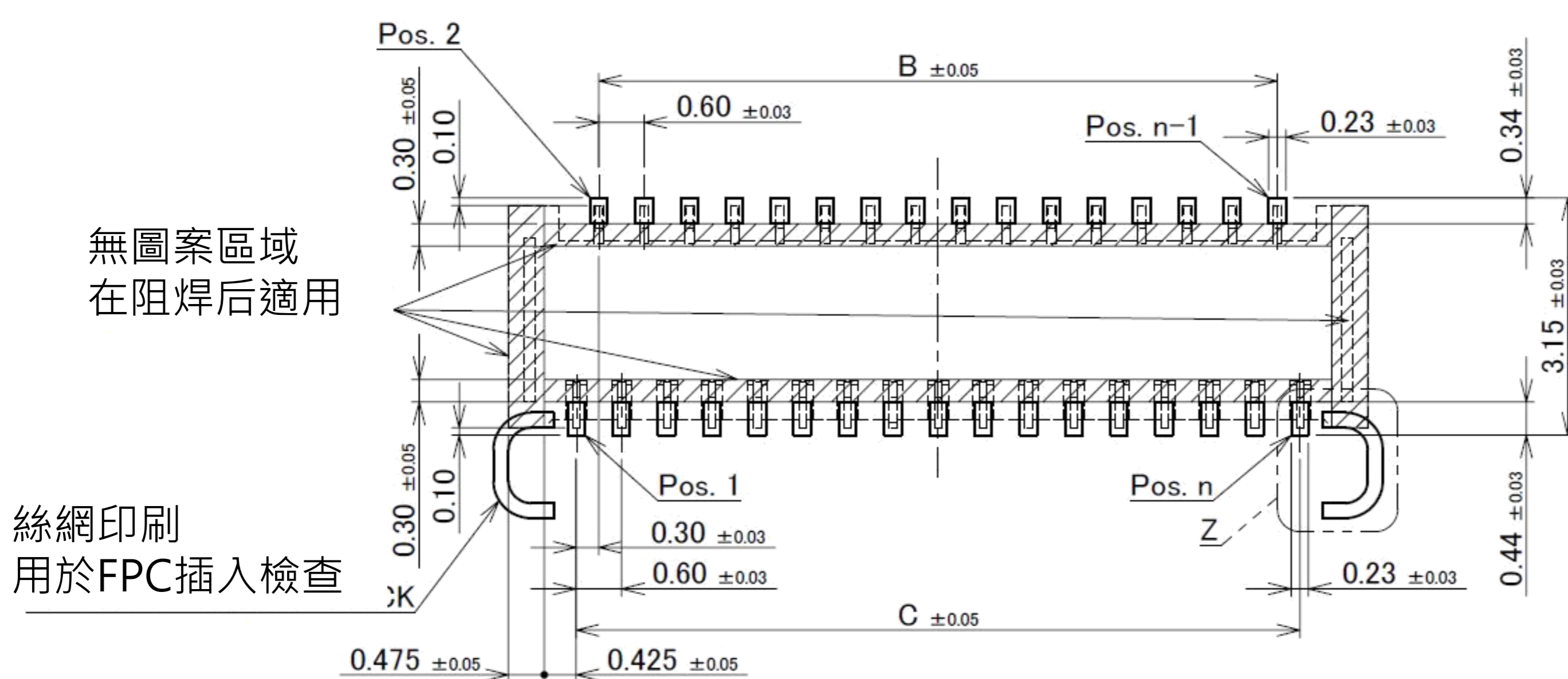
Product Specifications:		Short Actuator	Long Actuator
Board Pitch (mm)		0.3	
Wiping Length (mm)		Contact A: 1.0	Contact B: 0.45
Size (mm)	Height	0.90 +/- 0.10	
	Width	1.5 + (0.3 * ?p)	
	Depth	2.95	3.15
Pin counts	Range	7-71 (odd)	33-71 (odd)
	Available	7,9,11,21,23,31,35,39,41,45	51, 61, 71

Applicable FPC/FFC:	
FPC/FFC Contact Pitch	0.3
FPC/FFC Contact Point	Top and Bottom
FPC/FFC Thickness (mm)	0.2 +/- 0.03



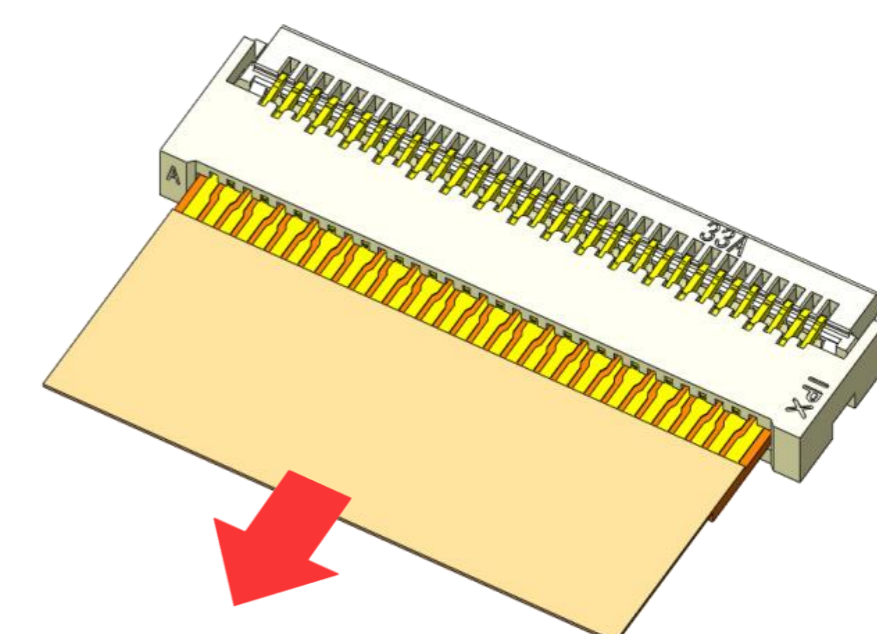
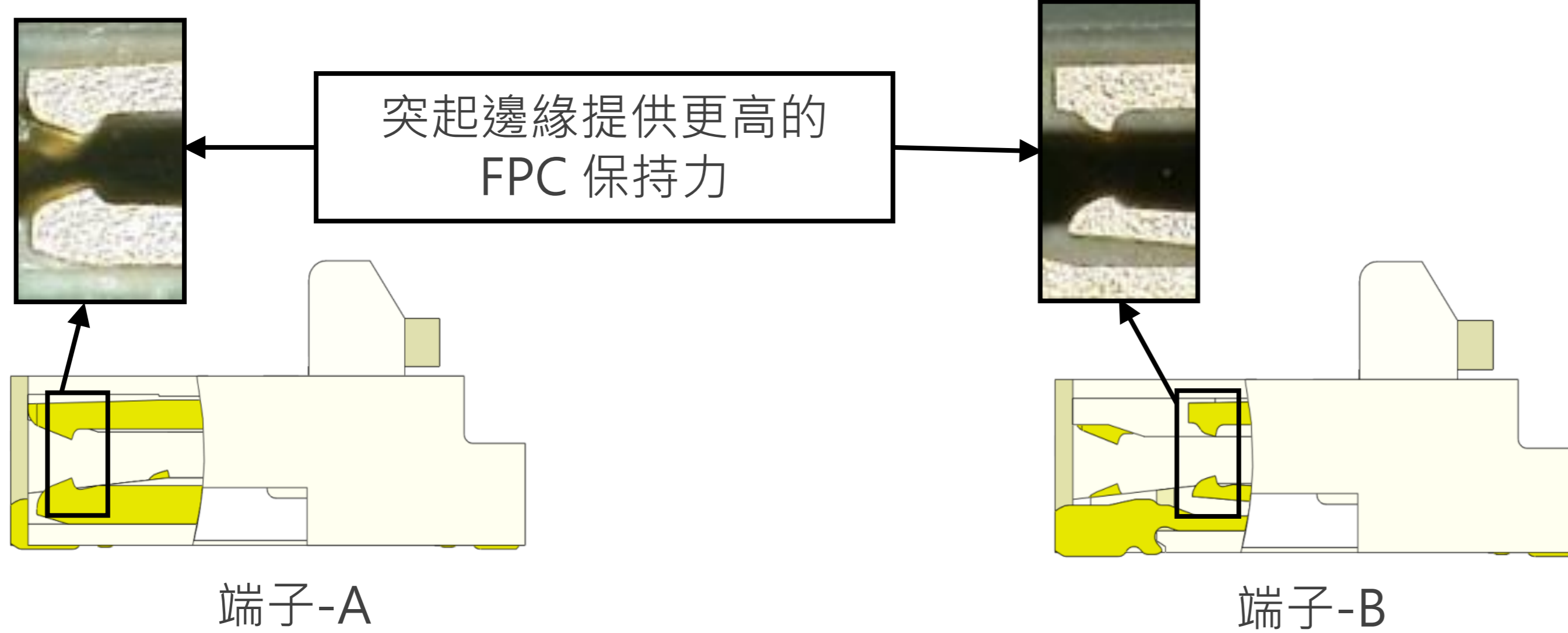
*若有規格外 Pin 數需求，請與當地負責業務窗口聯繫。

封裝兼容業內常規產品



較短鋼琴蓋			較長鋼琴蓋		
位置	B	C	位置	B	C
7P	1.20	1.80	51P	14.40	15.00
9P	1.80	2.40	61P	17.40	18.00
11P	2.40	3.00	71P	20.40	21.00
21P	5.40	6.00			
23P	6.00	6.60			
31P	8.40	9.00			
35P	9.60	10.20			
39P	10.80	11.40			
41P	11.40	12.00			
45P	12.60	13.20			

尖銳接觸設計，提供高FPC保持力

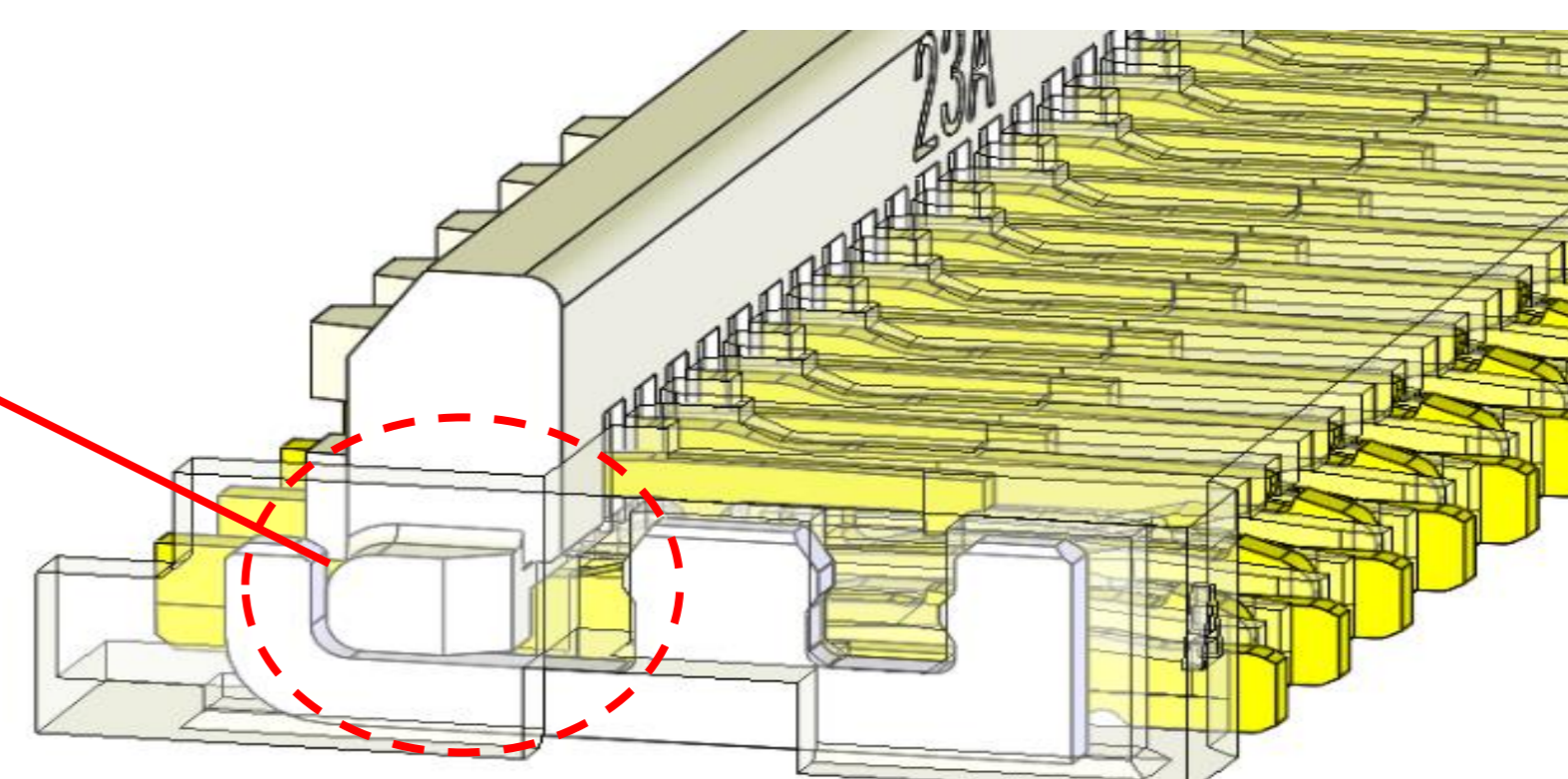


FPC保持力 (39 P)
16.058 N

獨有的鋼琴蓋補強構造，防止連接器脫落

鋼琴蓋支持部分防止鋼琴蓋剝落

鋼琴蓋剝離力 (在鋼琴蓋邊緣2 mm 的位置向外拉伸)
8.35 N



Component Parts Details

Connector Assembly

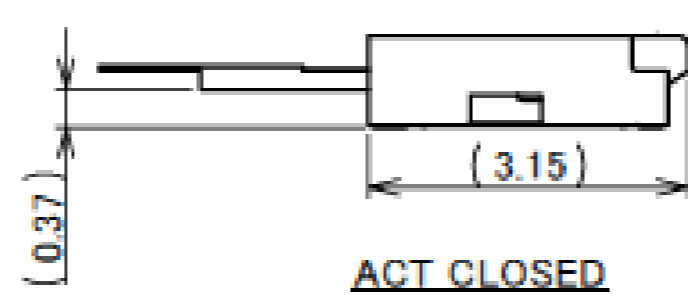
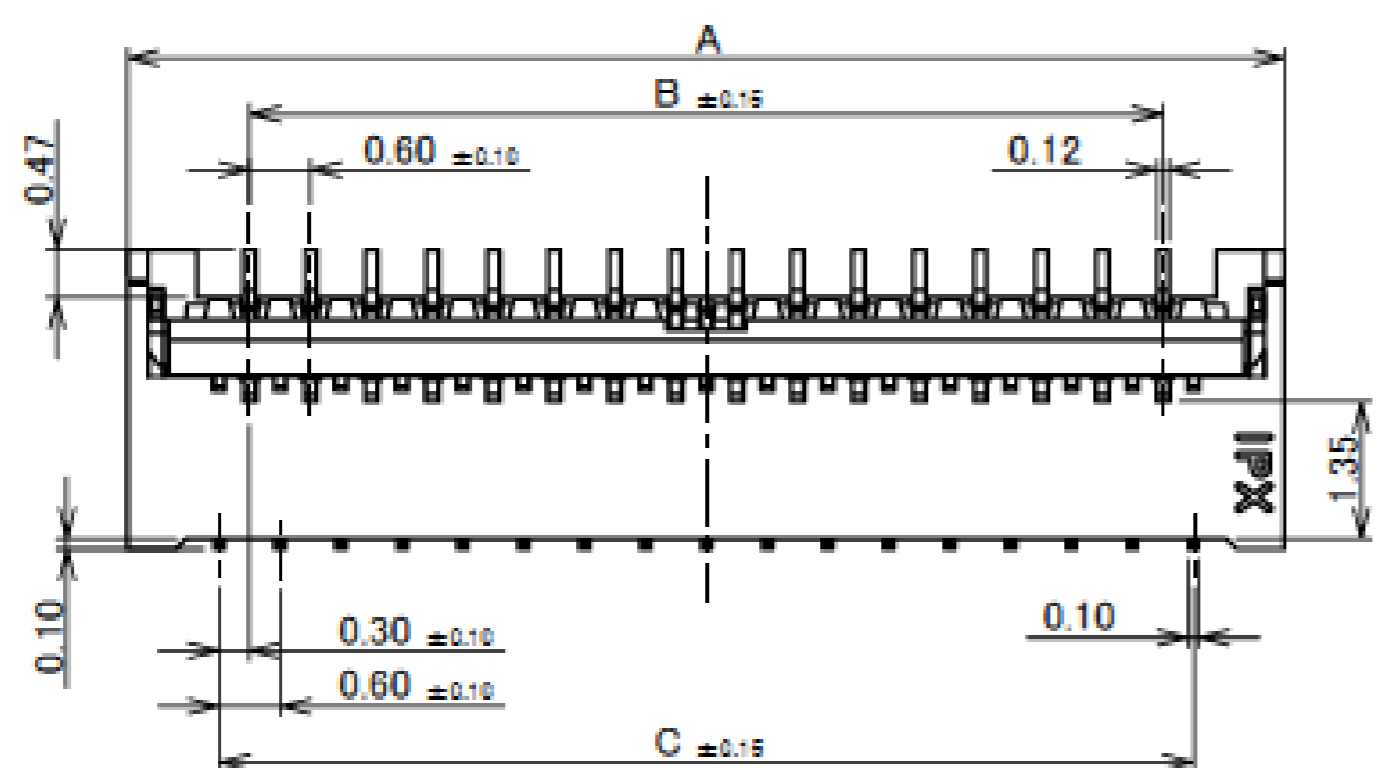
Recommended P/N 20613-0**E-02



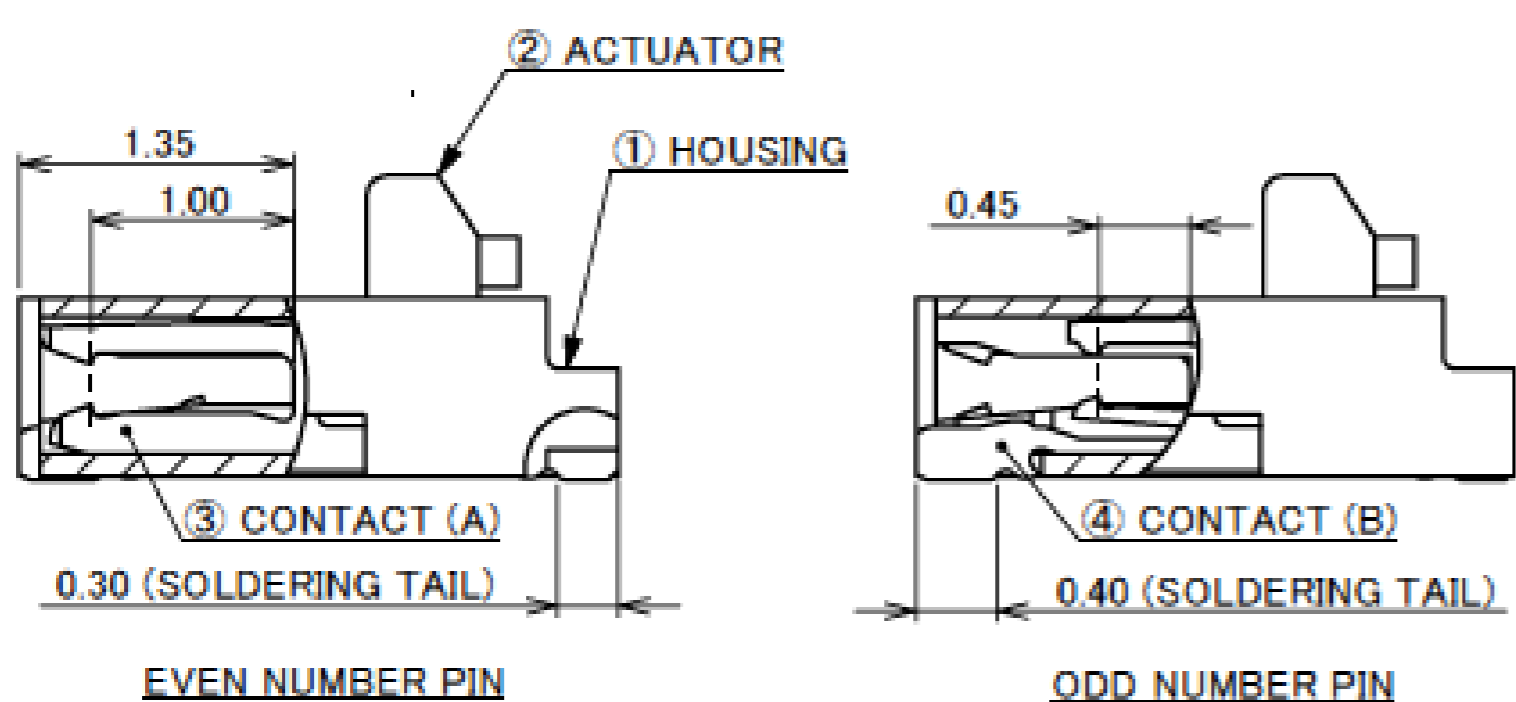
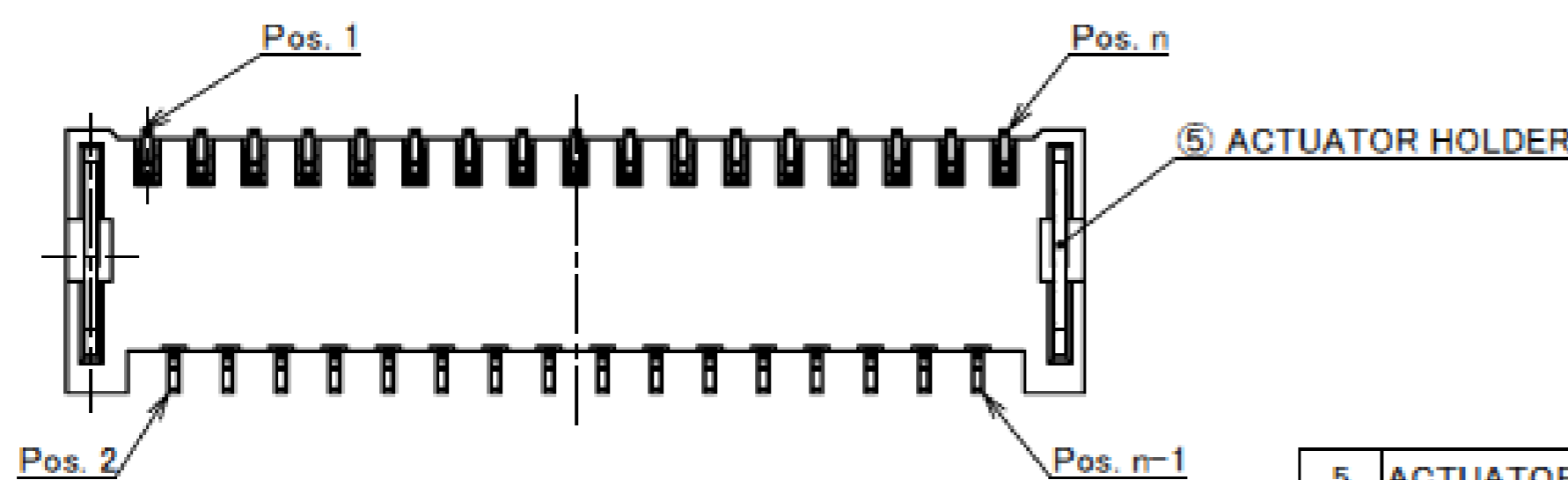
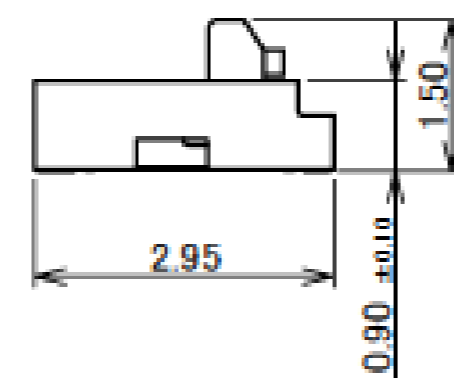
Halogen Free



RoHS Compliant



ACT CLOSED



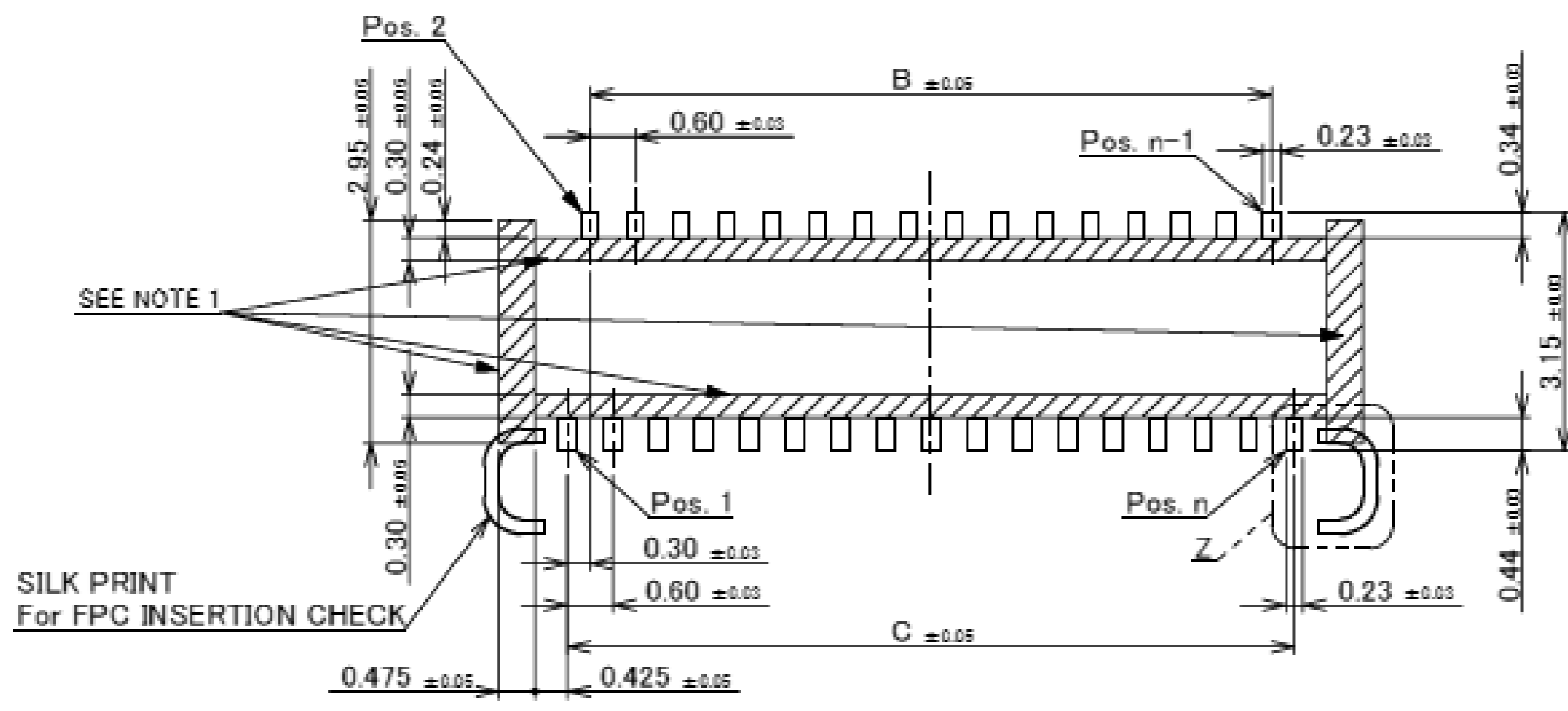
PART No.	Pos.	A	B	C	D	E
20613-007E-02	7P	3.60	1.20	1.80	2.45	2.80
20613-009E-02	9P	4.20	1.80	2.40	3.05	3.40
20613-011E-02	11P	4.80	2.40	3.00	3.65	4.00
◆20613-013E-02	13P	5.40	3.00	3.60	4.25	4.60
◆20613-015E-02	15P	6.00	3.60	4.20	4.85	5.20
◆20613-017E-02	17P	6.60	4.20	4.80	5.45	5.80
◆20613-019E-02	19P	7.20	4.80	5.40	6.05	6.40
20613-021E-02	21P	7.80	5.40	6.00	6.65	7.00
20613-023E-02	23P	8.40	6.00	6.60	7.25	7.60
20613-025E-02	25P	9.00	6.60	7.20	7.85	8.20
◆20613-027E-02	27P	9.60	7.20	7.80	8.45	8.80
◆20613-029E-02	29P	10.20	7.80	8.40	9.05	9.40
20613-031E-02	31P	10.80	8.40	9.00	9.65	10.00
20613-033E-02	33P	11.40	9.00	9.60	10.25	10.60
20613-035E-02	35P	12.00	9.60	10.20	10.85	11.20
◆20613-037E-02	37P	12.60	10.20	10.80	11.45	11.80
20613-039E-02	39P	13.20	10.80	11.40	12.05	12.40
20613-041E-02	41P	13.80	11.40	12.00	12.65	13.00
◆20613-043E-02	43P	14.40	12.00	12.60	13.25	13.60
20613-045E-02	45P	15.00	12.60	13.20	13.85	14.20
◆20613-047E-02	47P	15.60	13.20	13.80	14.45	14.80
◆20613-049E-02	49P	16.20	13.80	14.40	15.05	15.40
◆20613-051E-02	51P	16.80	14.40	15.00	15.65	16.00
◆20613-053E-02	53P	17.40	15.00	15.60	16.25	16.60
◆20613-055E-02	55P	18.00	15.60	16.20	16.85	17.20
◆20613-057E-02	57P	18.60	16.20	16.80	17.45	17.80
◆20613-059E-02	59P	19.20	16.80	17.40	18.05	18.40
◆20613-061E-02	61P	19.80	17.40	18.00	18.65	19.00
◆20613-071E-02	71P	22.80	20.40	21.00	21.65	22.00

◆MARK MEANS NOT AVAILABLE.

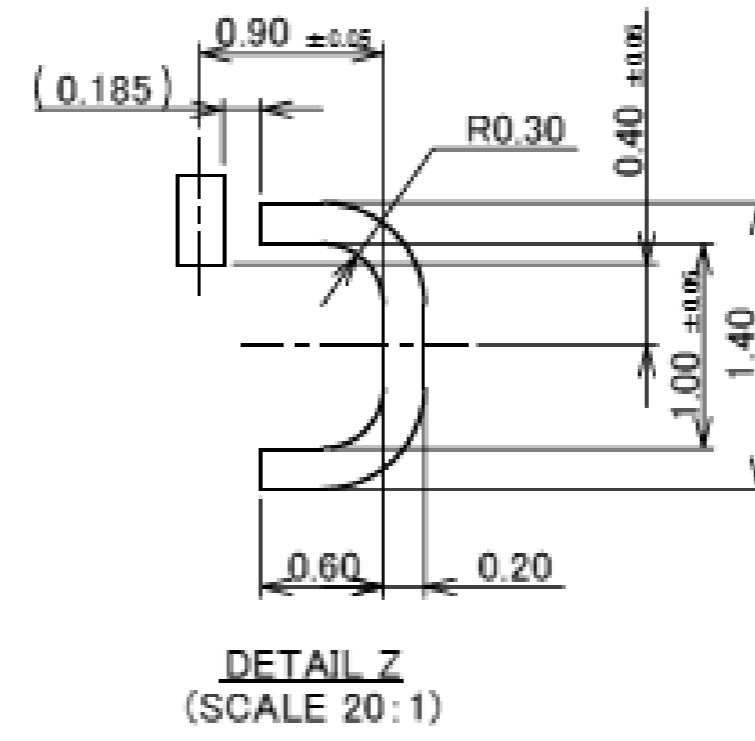
NOTE
1. CONTACT POINT: TOP AND BOTTOM CONTACT

NO.	DISCRIPTION	MATERIAL	REMARKS
5	ACTUATOR HOLDER	NICKEL SILVER	
4	CONTACT(B)	PHOSPHOR BRONZE	CONTACT AREA : Au 0.1 μm MIN. OVER Ni 1.0 μm MIN. SOLDERING AREA : Au 0.03 μm MIN. OVER Ni 1.0 μm MIN.
3	CONTACT(A)	PHOSPHOR BRONZE	CONTACT AREA : Au 0.1 μm MIN. OVER Ni 1.0 μm MIN. SOLDERING AREA : Au 0.03 μm MIN. OVER Ni 1.0 μm MIN.
2	ACTUATOR	LCP	UL94V-0, BEIGE
1	HOUSING	LCP	UL94V-0, BEIGE

Connector Assembly

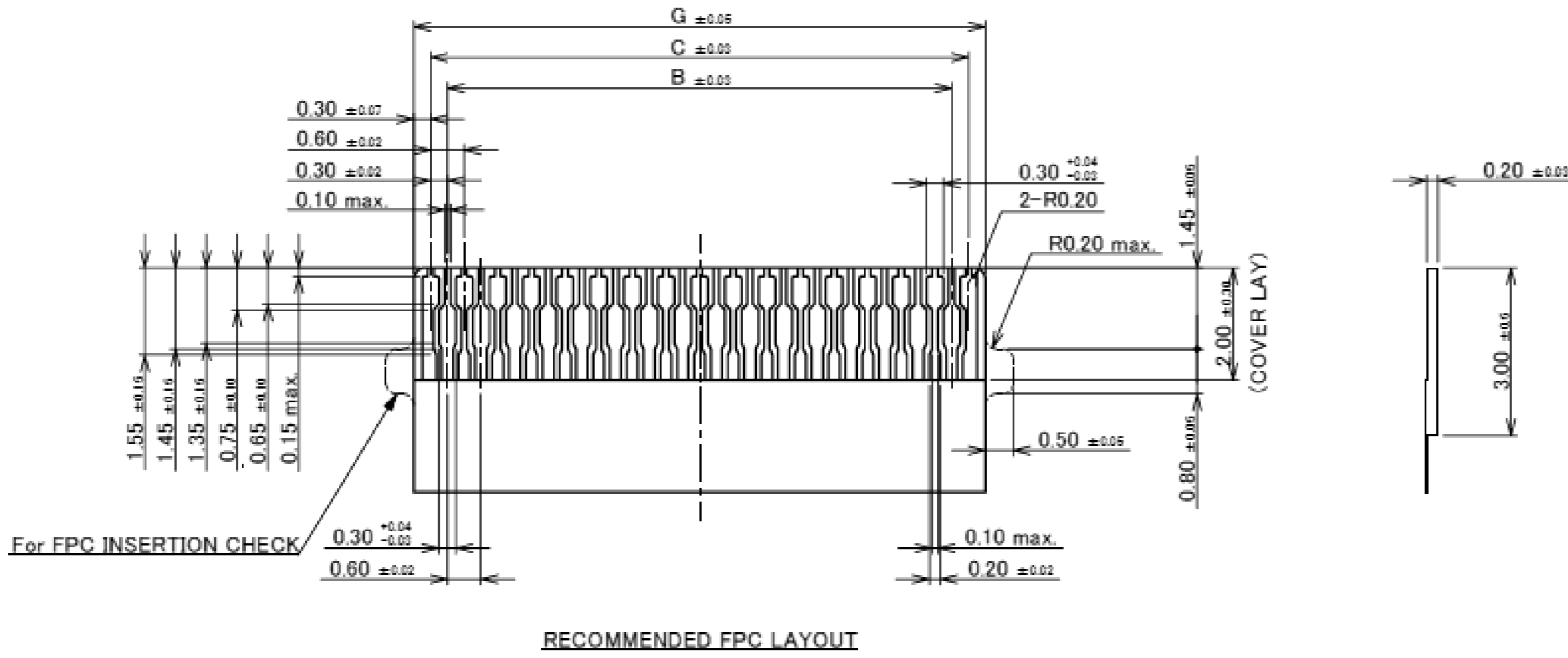


RECOMMENDED FOOTPRINT PATTERN & METAL MASK LAYOUT
METAL MASK THICKNESS : t=0.12mm



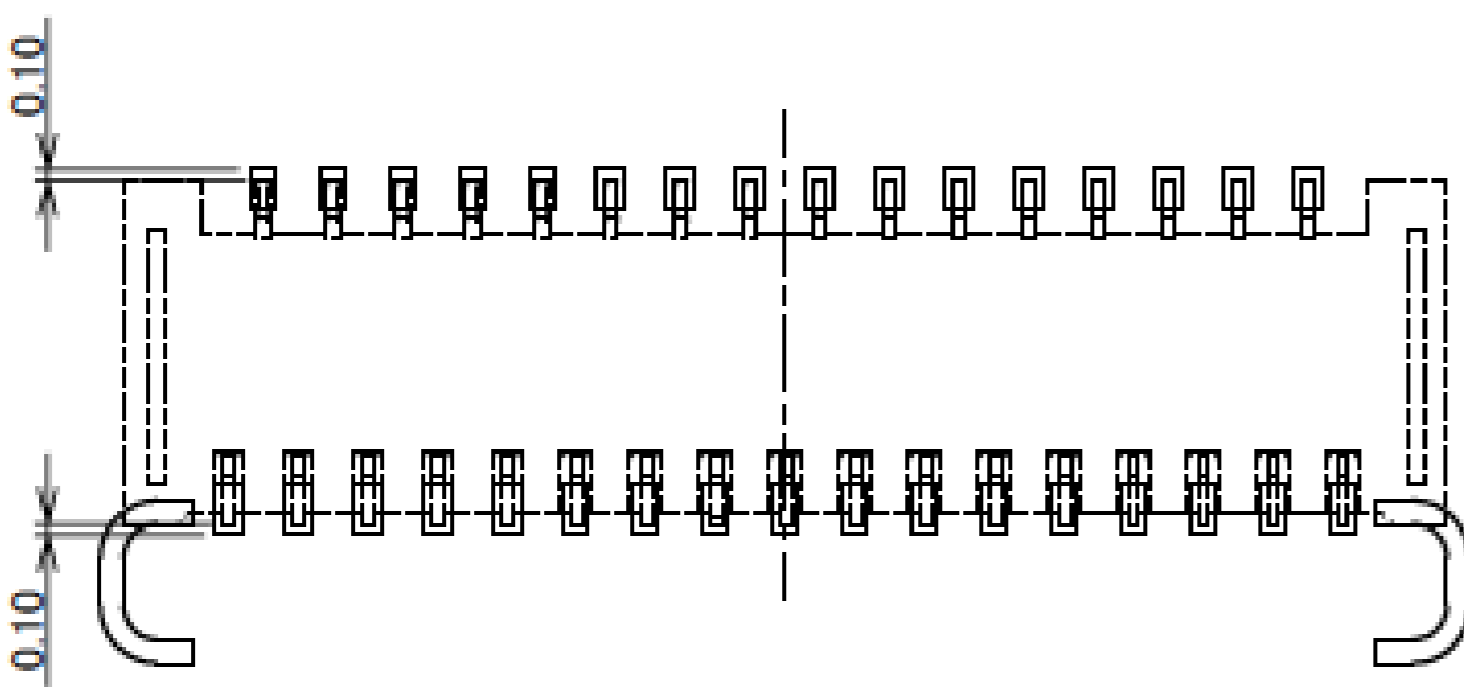
PART No.	Pos.	B	C	G
20613-007E-02	7P	1.20	1.80	2.40
20613-009E-02	9P	1.80	2.40	3.00
20613-011E-02	11P	2.40	3.00	3.60
◆20613-013E-02	13P	3.00	3.60	4.20
◆20613-015E-02	15P	3.60	4.20	4.80
◆20613-017E-02	17P	4.20	4.80	5.40
◆20613-019E-02	19P	4.80	5.40	6.00
◆20613-021E-02	21P	5.40	6.00	6.60
20613-023E-02	23P	6.00	6.60	7.20
20613-025E-02	25P	6.60	7.20	7.80
◆20613-027E-02	27P	7.20	7.80	8.40
◆20613-029E-02	29P	7.80	8.40	9.00
20613-031E-02	31P	8.40	9.00	9.60
20613-033E-02	33P	9.00	9.60	10.20
20613-035E-02	35P	9.60	10.20	10.80
◆20613-037E-02	37P	10.20	10.80	11.40
20613-039E-02	39P	10.80	11.40	12.00
20613-041E-02	41P	11.40	12.00	12.60
◆20613-043E-02	43P	12.00	12.60	13.20
20613-045E-02	45P	12.60	13.20	13.80
◆20613-047E-02	47P	13.20	13.80	14.40
◆20613-049E-02	49P	13.80	14.40	15.00
◆20613-051E-02	51P	14.40	15.00	15.60
◆20613-053E-02	53P	15.00	15.60	16.20
◆20613-055E-02	55P	15.60	16.20	16.80
◆20613-057E-02	57P	16.20	16.80	17.40
◆20613-059E-02	59P	16.80	17.40	18.00
◆20613-061E-02	61P	17.40	18.00	18.60
◆20613-071E-02	71P	20.40	21.00	21.60

◆ MARK MEANS NOT AVAILABLE

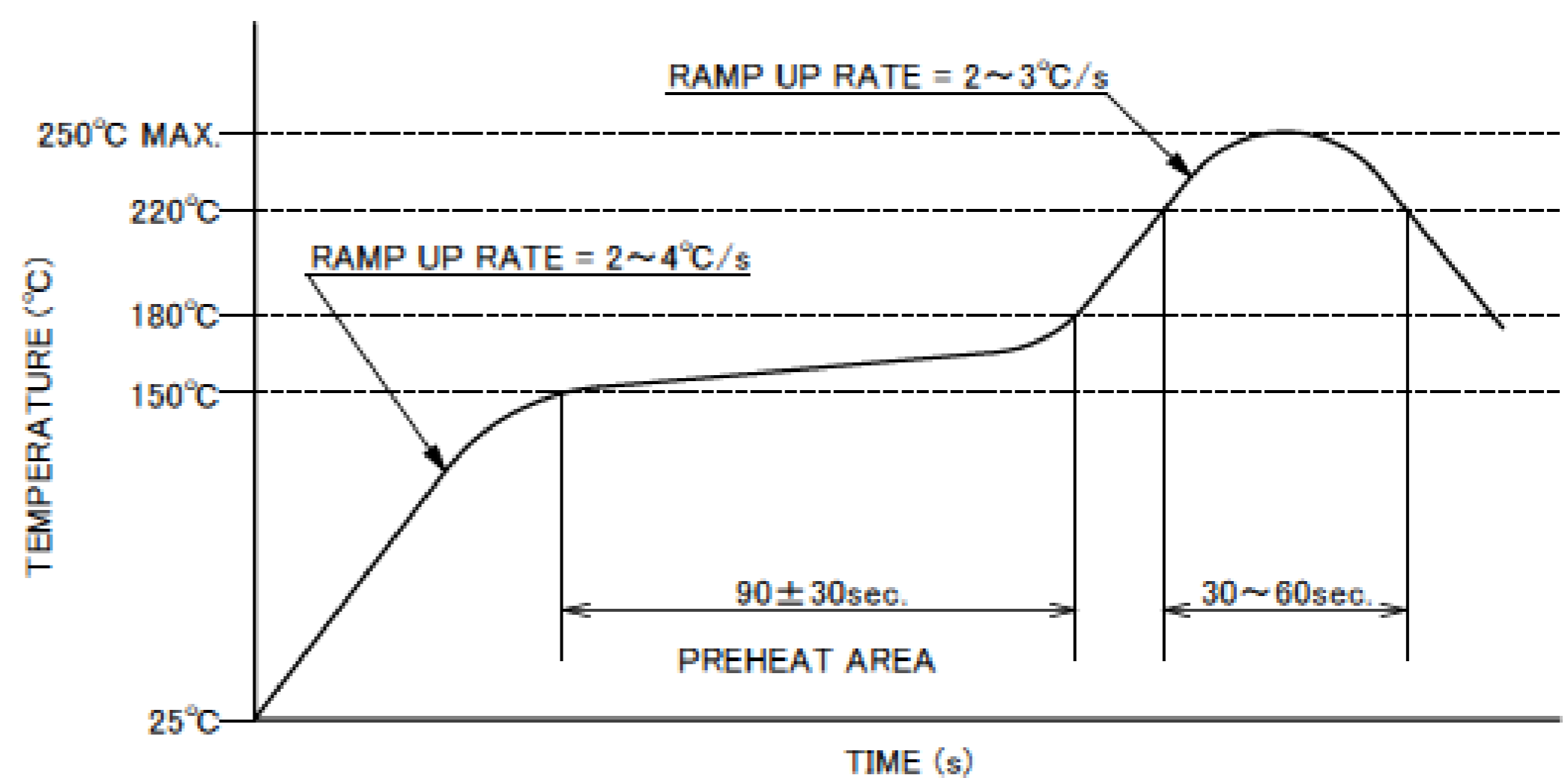


RECOMMENDED FPC LAYOUT

NOTE
1. SOLDER RESIST MUST BE APPLIED TO THIS AREA.



CONNECTOR ON RECOMMENDED FOOTPRINT PATTERN



REFLOW TEMPERATURE PROFILE
SENJU METAL INDUSTRY CO., LTD. : M705-SHF(Sn96.5 Ag3.0 Cu0.5)

Connector Assembly

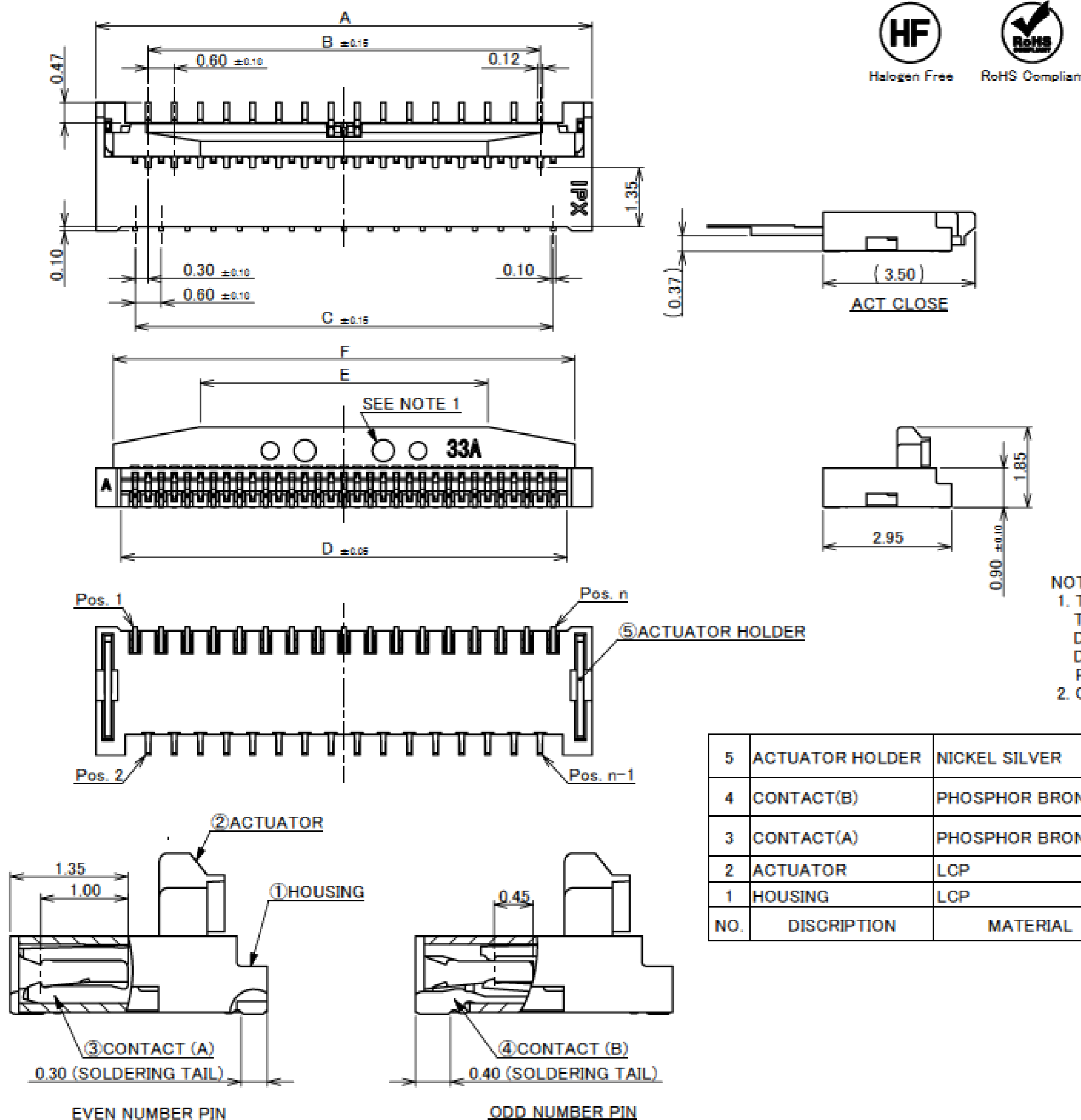
ITEMS	SPECIFICATION
RATING VOLTAGE	50V AC/DC (PER CONTACT PIN)
RATING AMPERAGE	0.3A DC (PER CONTACT PIN)
OPERATING TEMPERATURE	233~358K(-40°C~+85°C)
OPERATING HUMIDITY	85% MAX.(NON-CONDENSING)
CONTACT RESISTANCE	INITIAL : 60mohm MAX. / AFTER TEST : \triangle 40mohm MAX.
INSULATION RESISTANCE	100Mohm MIN.
DIELECTRIC WITHSTANDING VOLTAGE	AC250V 1min
DURABILITY	20TH CYCLES
ACTUATOR LOCKING FORCE (INITIAL / 20TH CYCLES)	INITIAL : 0.35N(31gf) \times n MAX. / 20TH CYCLES : 0.35N(31gf) \times n MAX.
ACTUATOR UNLOCKING FORCE (INITIAL / 20TH CYCLES)	INITIAL : 0.02N(2gf) \times n MIN. / 20TH CYCLES : 0.02N(2gf) \times n MIN.
FPC RETENTION FORCE (INITIAL / AFTER TEST)	INITIAL : 0.13N(13gf) \times n MIN. / AFTER TEST : 0.10N(10gf) \times n MIN.
COPLANARITY	0.10 MAX.
PRODUCT SPECIFICATION	PRS-1846
TEST REPORT	TR-13104
PACKING STANDARD	PST-13054
INSTRUCTION MANUAL	HIM-14004
APPEARANCE CRITERIA No.	QLS-A***

※ "n" IS THE NUMBER OF PIN

CAUTION PLEASE BE SURE TO READ AND UNDERSTAND "INSTRUCTION MANUAL" BEFORE YOU USE OUR PRODUCTS.

Rev.16

Recommended P/N 20605-0**E-02



PART No.	Pos.	A	B	C	D	E	F
◆20605-033E-02	33P	11.40	9.00	9.60	10.25	6.25	10.60
◆20605-035E-02	35P	12.00	9.60	10.20	10.85	6.85	11.20
◆20605-037E-02	37P	12.60	10.20	10.80	11.45	7.45	11.80
◆20605-039E-02	39P	13.20	10.80	11.40	12.05	8.05	12.40
◆20605-041E-02	41P	13.80	11.40	12.00	12.65	8.65	13.00
◆20605-043E-02	43P	14.40	12.00	12.60	13.25	9.25	13.60
◆20605-045E-02	45P	15.00	12.60	13.20	13.85	9.85	14.20
◆20605-047E-02	47P	15.60	13.20	13.80	14.45	10.45	14.80
◆20605-049E-02	49P	16.20	13.80	14.40	15.05	11.05	15.40
20605-051E-02	51P	16.80	14.40	15.00	15.65	11.65	16.00
◆20605-053E-02	53P	17.40	15.00	15.60	16.25	12.25	16.60
◆20605-055E-02	55P	18.00	15.60	16.20	16.85	12.85	17.20
◆20605-057E-02	57P	18.60	16.20	16.80	17.45	13.45	17.80
◆20605-059E-02	59P	19.20	16.80	17.40	18.05	14.05	18.40
20605-061E-02	61P	19.80	17.40	18.00	18.65	14.65	19.00
20605-071E-02	71P	22.80	20.40	21.00	21.65	17.65	22.00

◆MARK MEANS NOT AVAILABLE

NOTES:
 1. THIS DENT SHAPE IS PURPOSED FOR GOOD INJECTION QUALITY. THIS DENT SHAPE WILL NOT AFFECT CONNECTOR FUNCTION. DENT SHAPE SHOWN ON DRAWING IS JUST FOR REFERENCE. DENT SHAPE AND QUANTITY MIGHT CHANGE FROM DIFFERENT PIN COUNT AND DIFFERENT TOOLING.
 2. CONTACT POINT: TOP AND BOTTOM CONTACT

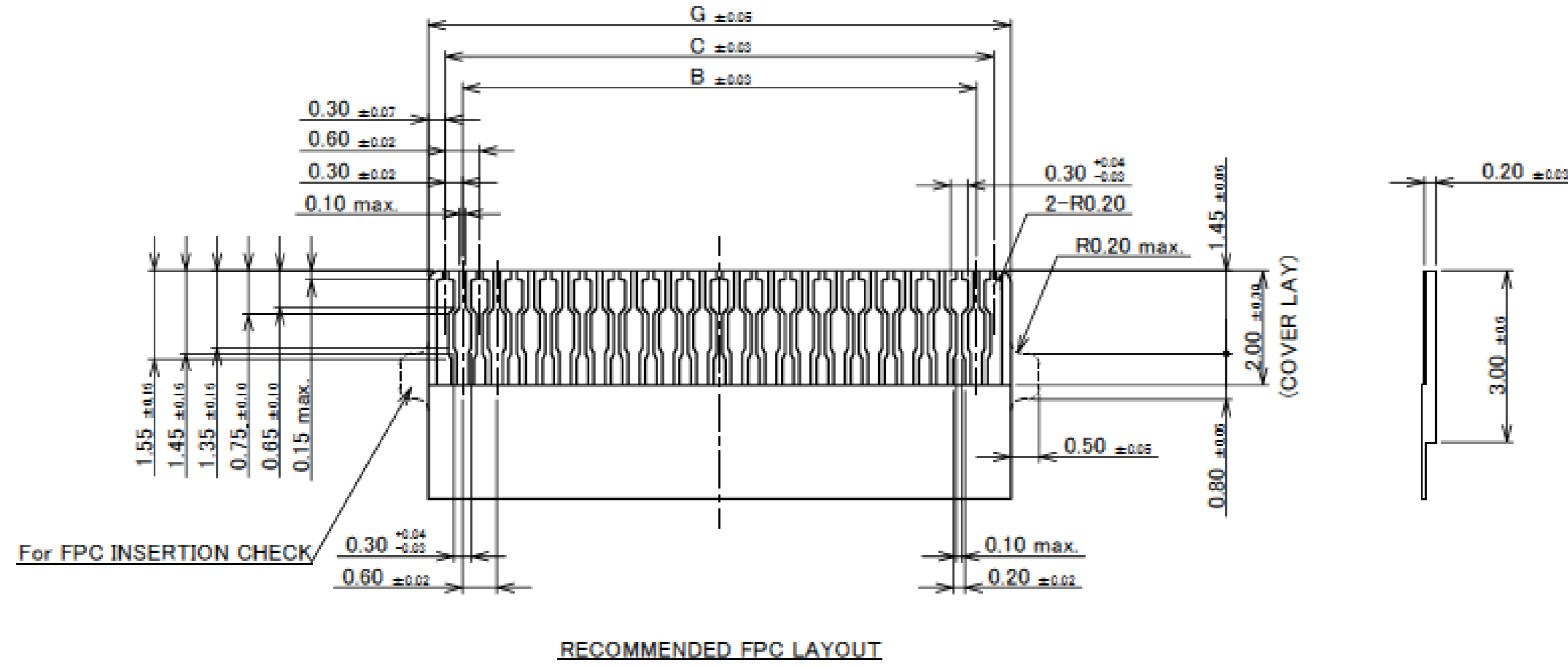
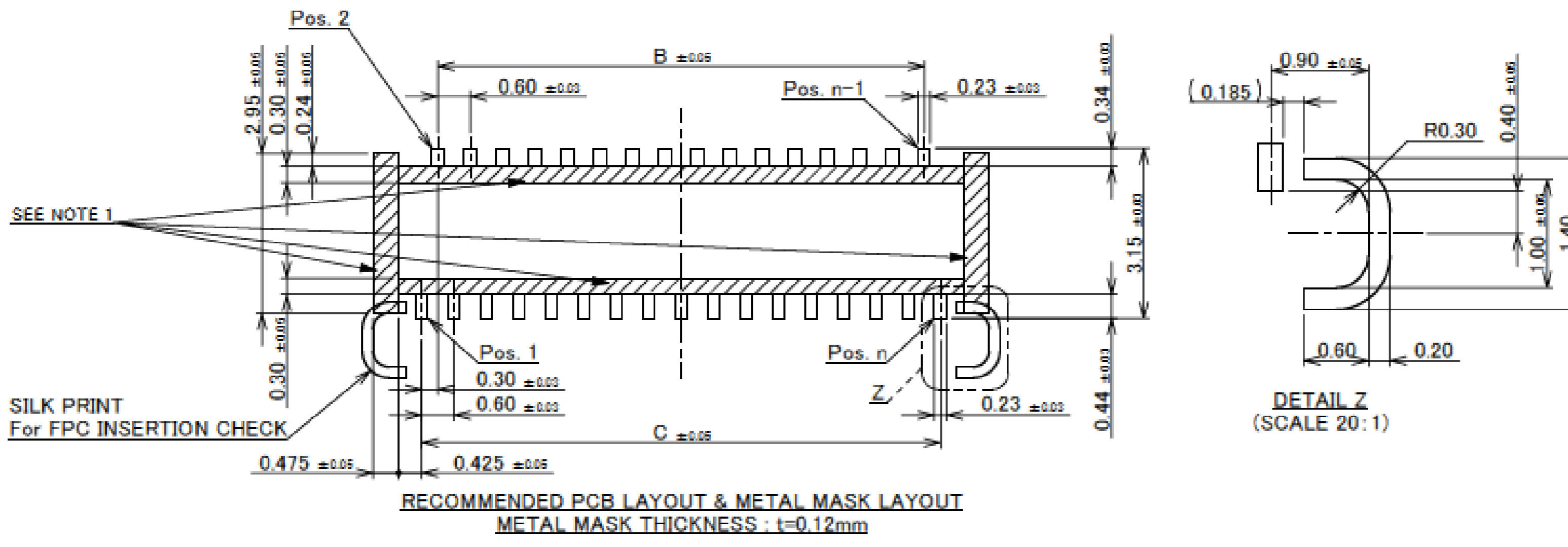
5	ACTUATOR HOLDER	NICKEL SILVER	
4	CONTACT(B)	PHOSPHOR BRONZE	CONTACT AREA : Au 0.1 μ m MIN. OVER Ni 1.0 μ m MIN. SOLDERING AREA : Au 0.03 μ m MIN. OVER Ni 1.0 μ m MIN.
3	CONTACT(A)	PHOSPHOR BRONZE	CONTACT AREA : Au 0.1 μ m MIN. OVER Ni 1.0 μ m MIN. SOLDERING AREA : Au 0.03 μ m MIN. OVER Ni 1.0 μ m MIN.
2	ACTUATOR	LCP	UL94V-0, BEIGE
1	HOUSING	LCP	UL94V-0, BEIGE
NO.	DISCRIPTION	MATERIAL	REMARKS

Rev.11

Connector Assembly

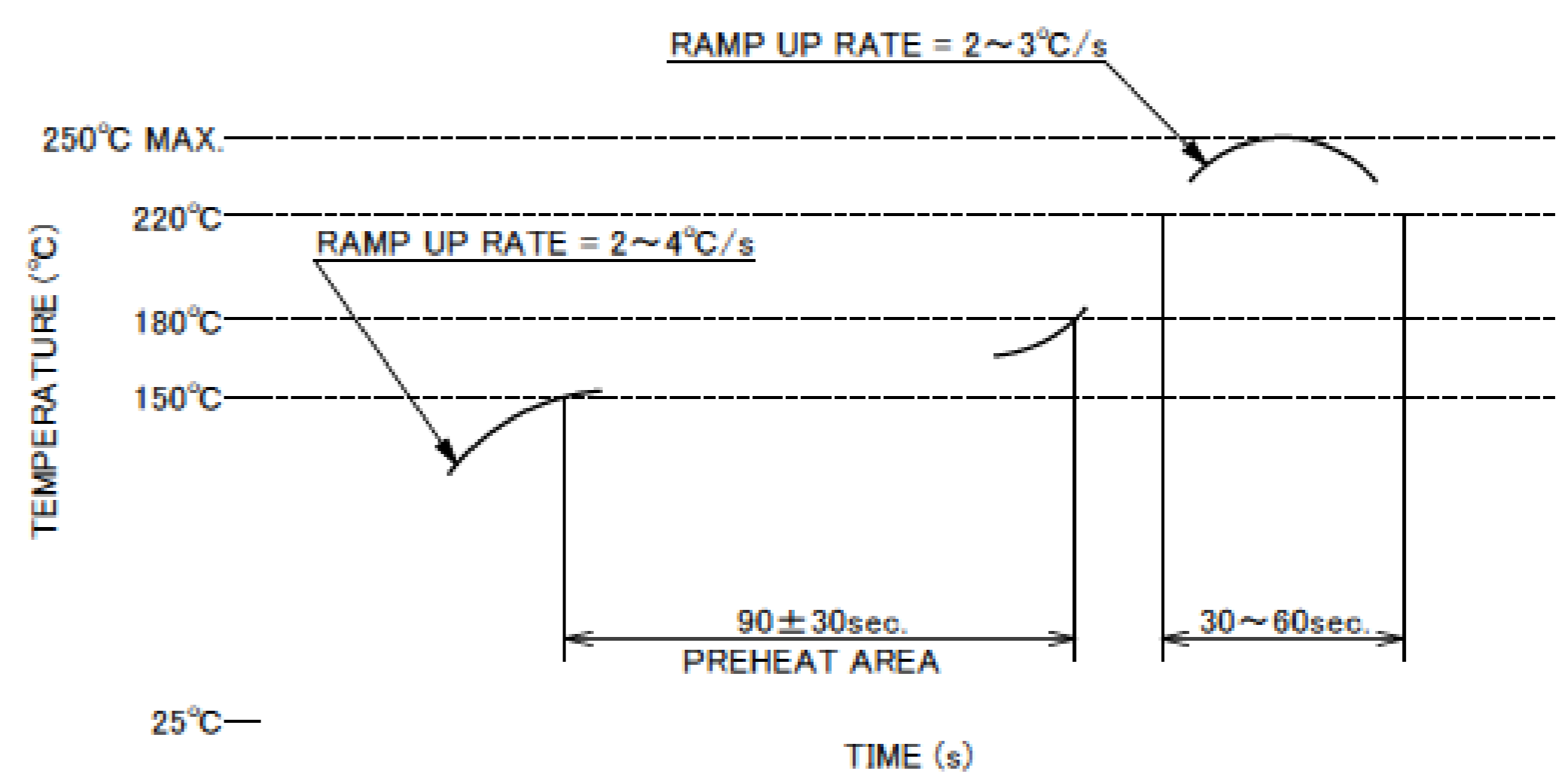
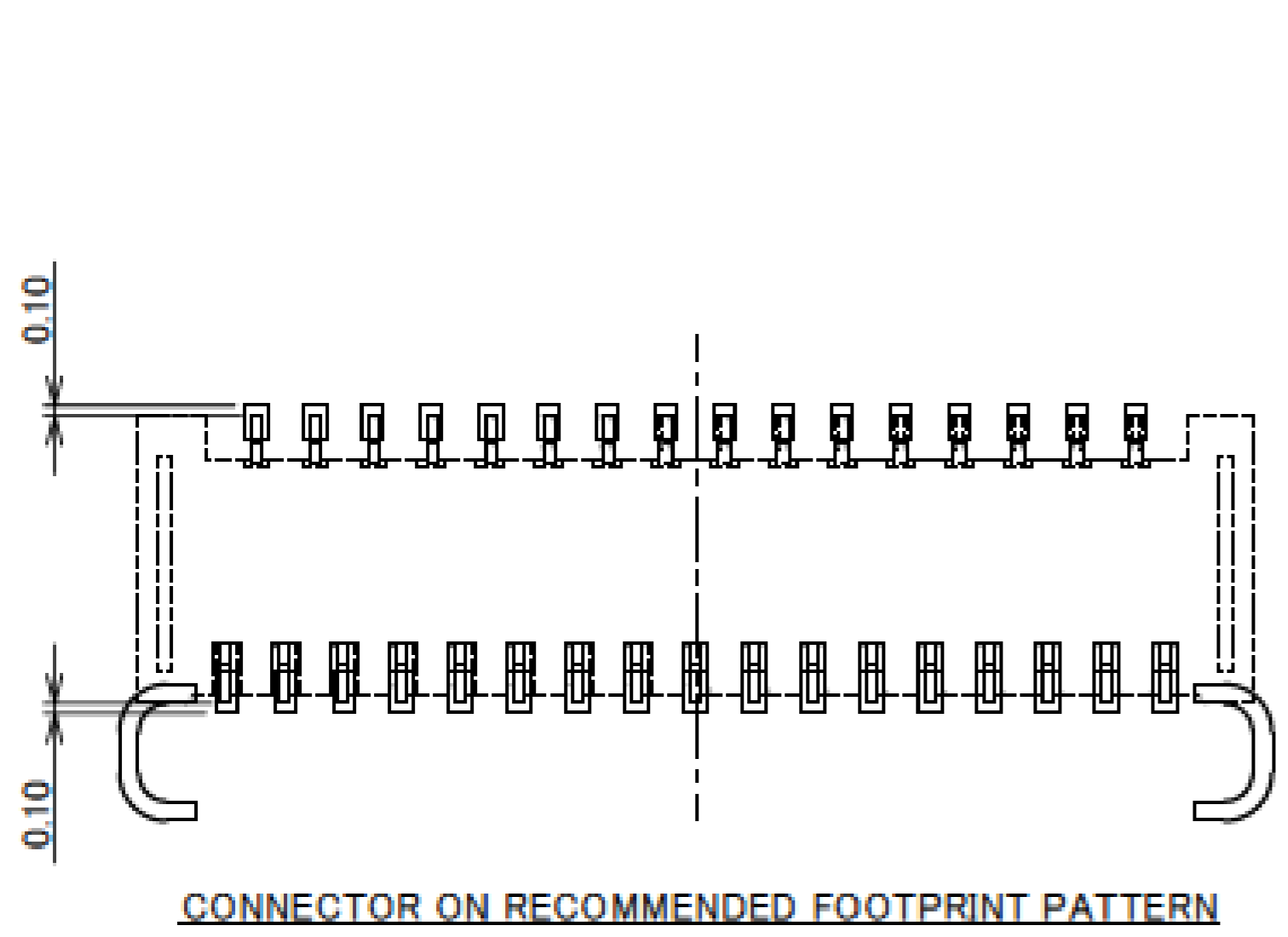
PART No.	Pos.	B	C	G
◆20605-033E-02	33P	9.00	9.60	10.20
◆20605-035E-02	35P	9.60	10.20	10.80
◆20605-037E-02	37P	10.20	10.80	11.40
◆20605-039E-02	39P	10.80	11.40	12.00
◆20605-041E-02	41P	11.40	12.00	12.60
◆20605-043E-02	43P	12.00	12.60	13.20
◆20605-045E-02	45P	12.60	13.20	13.80
◆20605-047E-02	47P	13.20	13.80	14.40
◆20605-049E-02	49P	13.80	14.40	15.00
◆20605-051E-02	51P	14.40	15.00	15.60
◆20605-053E-02	53P	15.00	15.60	16.20
◆20605-055E-02	55P	15.60	16.20	16.80
◆20605-057E-02	57P	16.20	16.80	17.40
◆20605-059E-02	59P	16.80	17.40	18.00
◆20605-061E-02	61P	17.40	18.00	18.60
◆20605-071E-02	71P	20.40	21.00	21.60

◆ MARK MEANS NOT AVAILABLE



NOTE
1. SOLDER RESIST MUST BE APPLIED TO THIS AREA.

Rev.11



Connector Assembly

ITEMS	SPECIFICATION
RATING VOLTAGE	50V AC/DC (PER CONTACT PIN)
RATING AMPERAGE	0.3A DC (PER CONTACT PIN)
OPERATING TEMPERATURE	233~358K(-40°C~+85°C)
OPERATING HUMIDITY	85% MAX.(NON-CONDENSING)
CONTACT RESISTANCE	INITIAL : 60mohm MAX. / AFTER TEST : \triangle 40mohm MAX.
INSULATION RESISTANCE	100Mohm MIN.
DIELECTRIC WITHSTANDING VOLTAGE	AC250V 1min
DURABILITY	20TH CYCLES
ACTUATOR LOCKING FORCE (INITIAL / 20TH CYCLES)	INITIAL : 0.245N(24.5gf) \times n MAX. / 20TH CYCLES : 0.245N(24.5gf) \times n MAX.
ACTUATOR UNLOCKING FORCE (INITIAL / 20TH CYCLES)	INITIAL : 0.014N(1.4gf) \times n MIN. / 20TH CYCLES : 0.014N(1.4gf) \times n MIN.
FPC RETENTION FORCE (INITIAL / AFTER TEST)	INITIAL : 0.13N(13gf) \times n MIN. / AFTER TEST : 0.10N(10gf) \times n MIN.
COPLANARITY	0.10 MAX.
PRODUCT SPECIFICATION	PRS-1920
TEST REPORT	TR-14022
PACKING STANDARD	PST-14013
INSTRUCTION MANUAL	HIM-14004
APPEARANCE CRITERIA	QLS-A***

※ "n" IS THE NUMBER OF PIN



CAUTION


PLEASE BE SURE TO READ AND UNDERSTAND "INSTRUCTION MANUAL" BEFORE YOU USE OUR PRODUCTS.

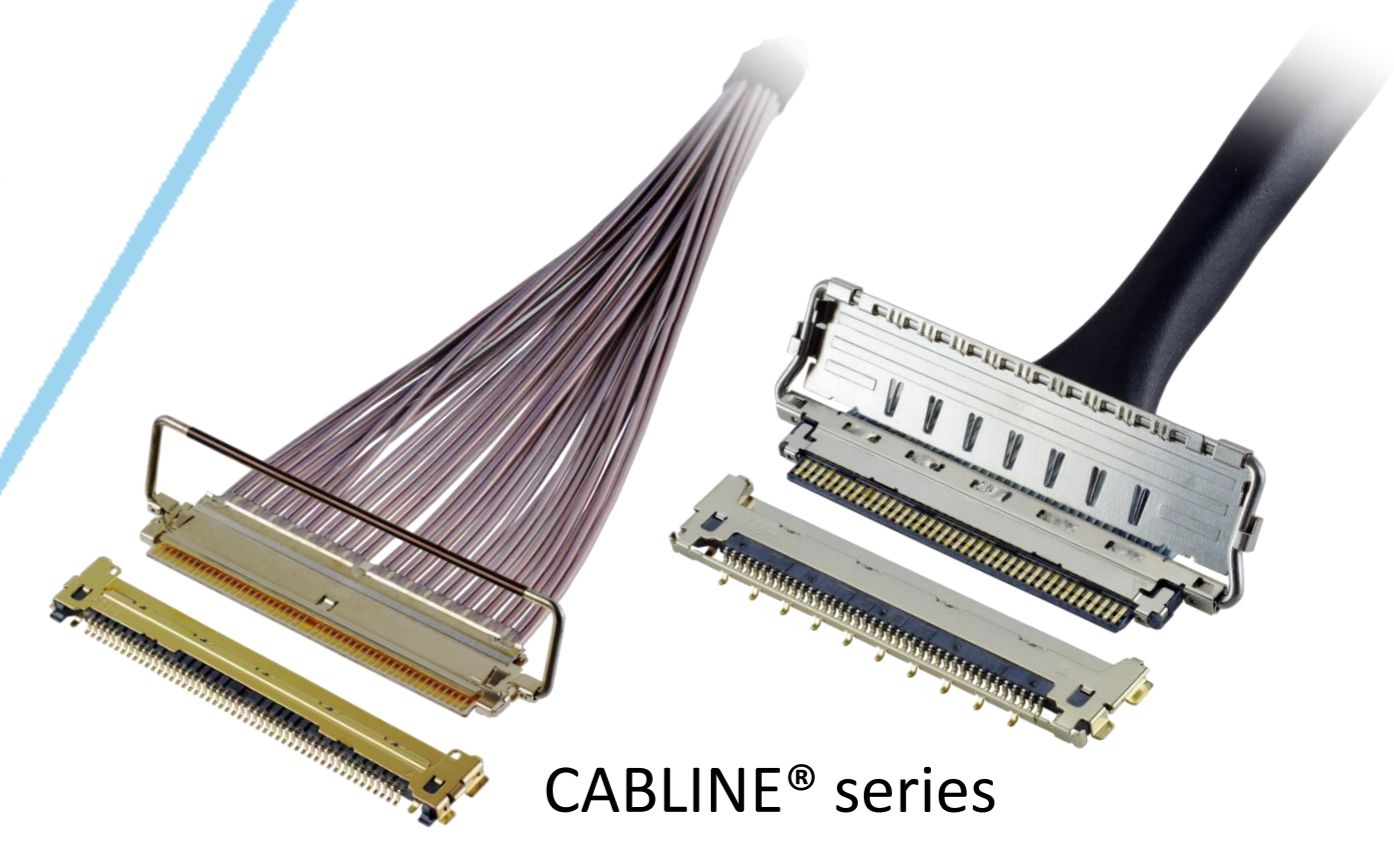
Custom Connectors Available

 RF Connector

MHF® series



 CABLINE® series
Micro-coaxial/Twinax/
Discrete Wire Connector



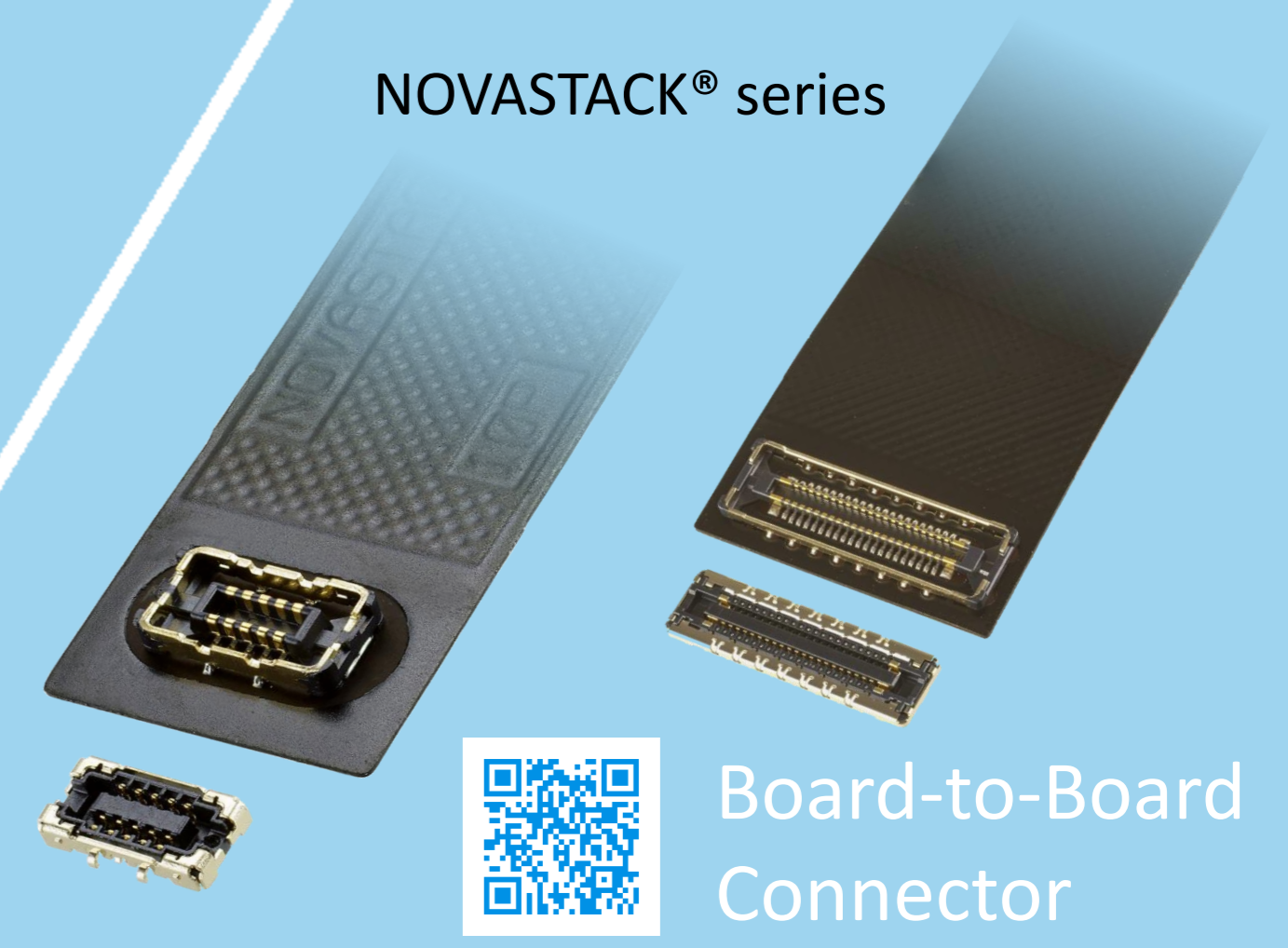
 Optical Module

LIGHTPASS® series



NOVASTACK® series

 Board-to-Board Connector



 Power Connector/
Terminal

AP series

ISH® series



MINIFLEX® series

EVAFLEX® series

 FPC FFC Connector

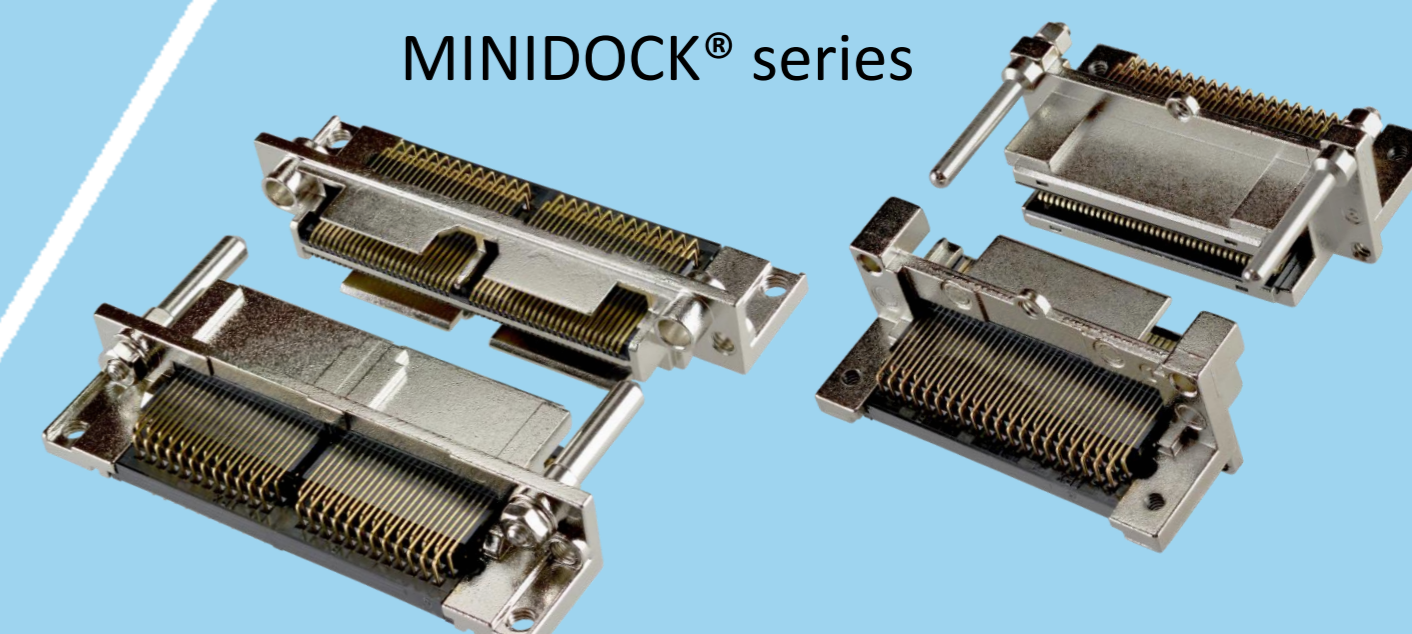


Inquiry



MINIDOCK® series

 I/O Connector



I-PEX, MHF, CABLINE, LIGHTPASS, NOVASTACK, ISH, IARPB, MINIFLEX, EVAFLEX, MINIDOCKS and ZenShield are registered trademarks of I-PEX Inc. Please note that the contents in the catalog might be changed without prior notification. I-PEX Inc. assumes no responsibility for any inaccuracies or obligation to update information on these documents. Please be sure to read and understand the latest "Precautions for Use" and "Instruction Manual" before you use our products. We shall not be responsible for any defects, damages or troubles in case you use our products without following the precautions for use. Please feel free to contact our sales representatives when you use our products for any applications that require very high reliability and safety, or that relate to human life (ex. nuclear power control, aerospace, transportation, medical equipment, safety equipment etc.).

Contact your sales representative or more detailed information.

www.i-pex.com



I-PEX

© I-PEX Inc. 2024
All rights reserved