

# MINIFLEX® 3-BFNH L-HD

保持力加強，堅固的hold down 設計，較長鋼琴蓋，  
低背(高度 = 0.9 mm) · 0.3 mm間距，水平插拔，後鎖式

## Product Specifications:

|                    |                 |                           |
|--------------------|-----------------|---------------------------|
| Board Pitch (mm)   | 0.3             |                           |
| Wiping Length (mm) | Contact A: 0.90 |                           |
|                    | Contact B: 0.45 |                           |
| Size (mm)          | Height          | 0.90 +/- 0.10             |
|                    | Width           | Formula: 1.5 + (0.3*p)    |
|                    | Depth           | Open: 2.55<br>Close: 3.50 |
| Pin counts         | Range           | 7-71 (odd)                |
|                    | Available       | 39,61                     |

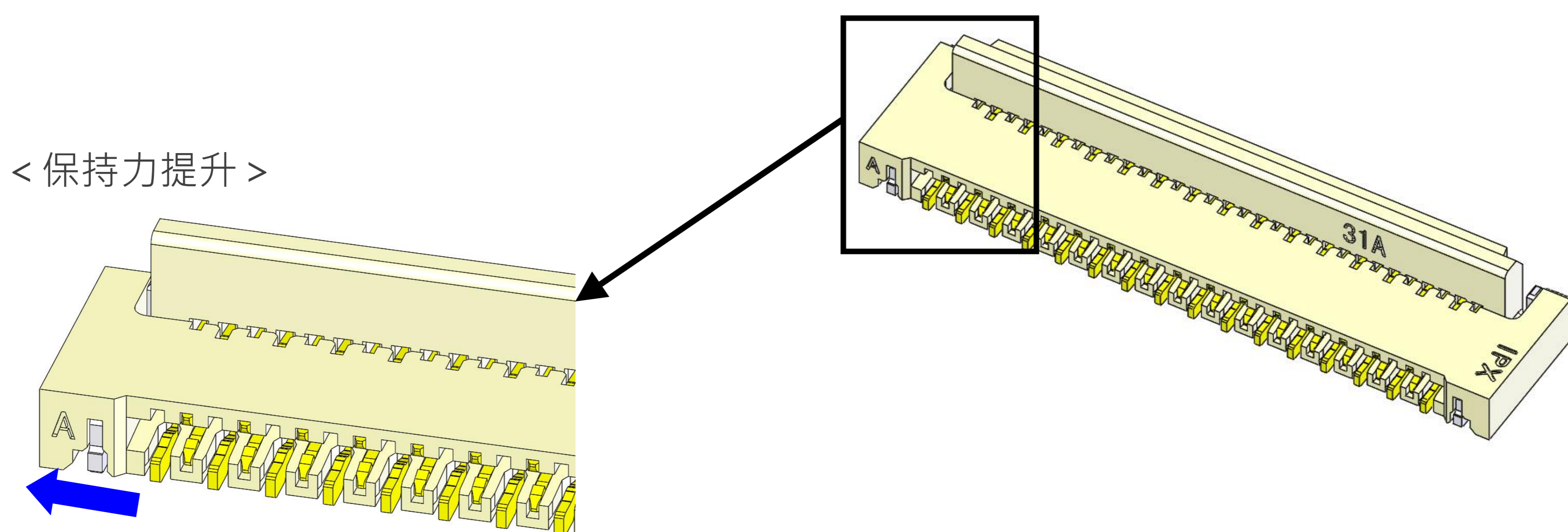
## Applicable FPC/FFC:

|                        |                |
|------------------------|----------------|
| FPC/FFC Contact Pitch  | 0.3            |
| FPC/FFC Contact Point  | Top and Bottom |
| FPC/FFC Thickness (mm) | 0.2 +/- 0.03   |

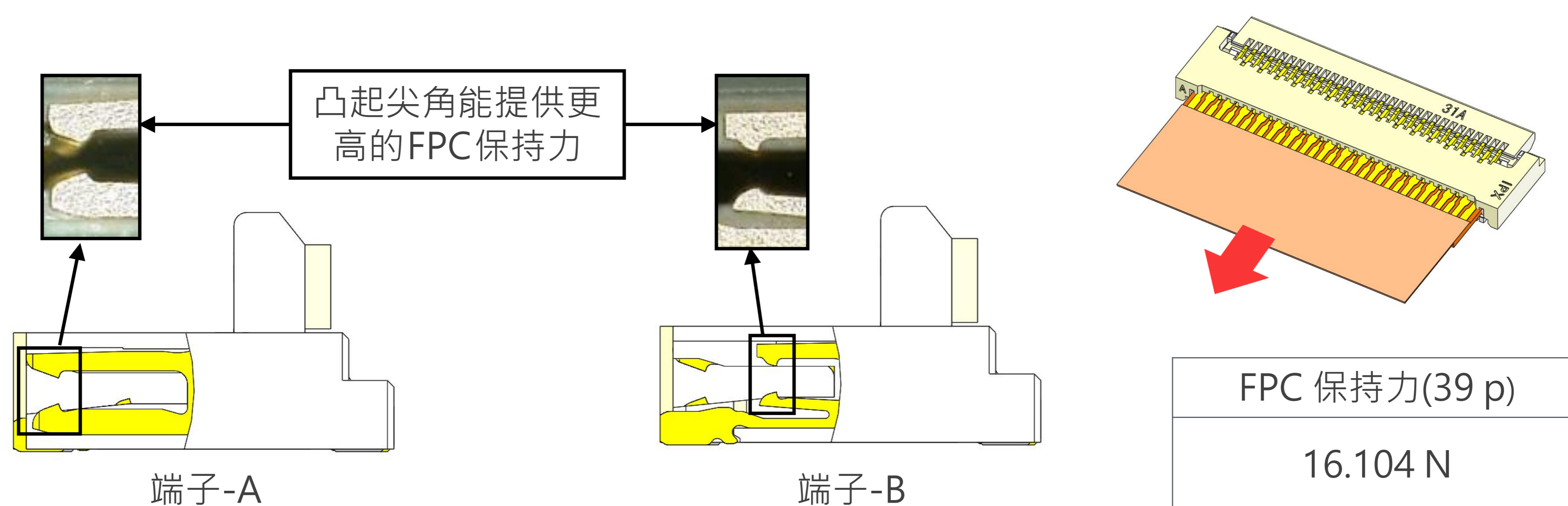
\*若有規格外 Pin 數需求，請與當地負責業務窗口聯繫。



## ► Hold down 設計加強側壁力度



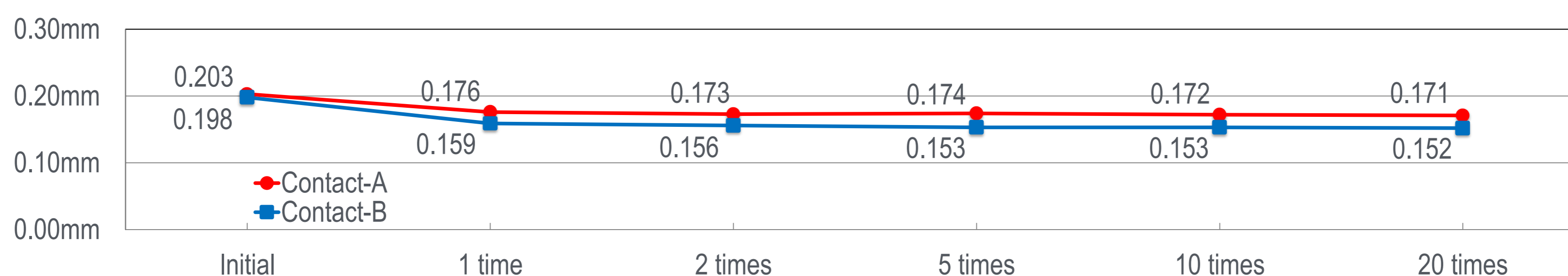
## ► 尖銳接觸設計，提供高FPC保持力



## ► 在沒有插入FPC的情況下關閉鋼琴蓋，連接器仍可使用

在沒有插入 FPC 的情況下閉合鋼琴蓋，連接器仍可使用

- FPC未插入情況下閉合鋼琴蓋，其前後的接點間距比較如圖(圖表為 MINIFLEX® 3-BFNH L-HD 39 pins)

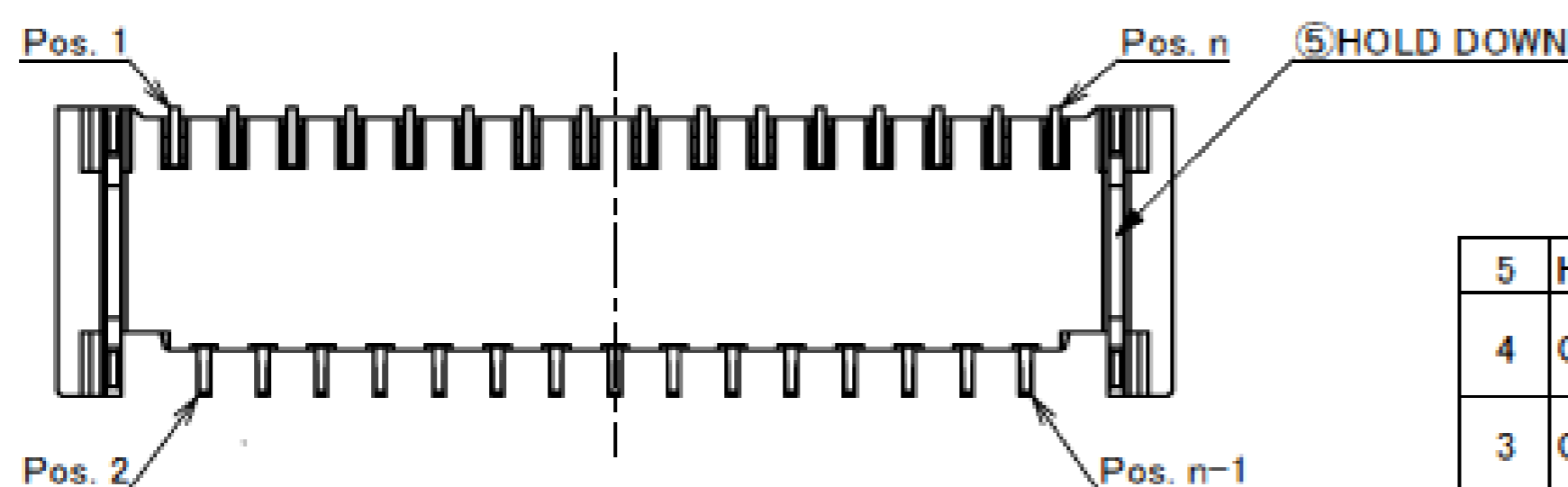
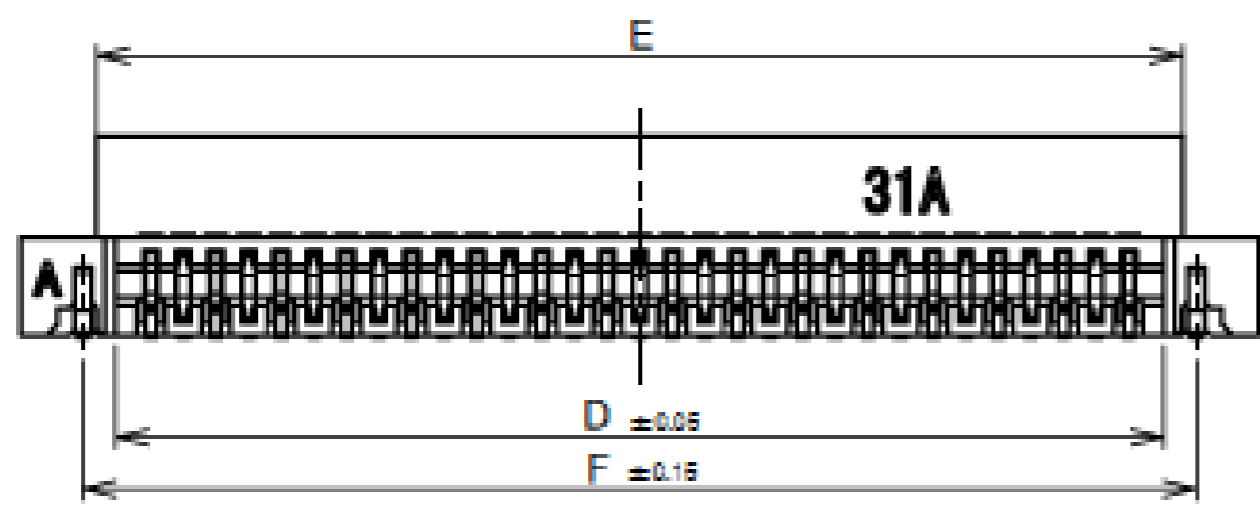
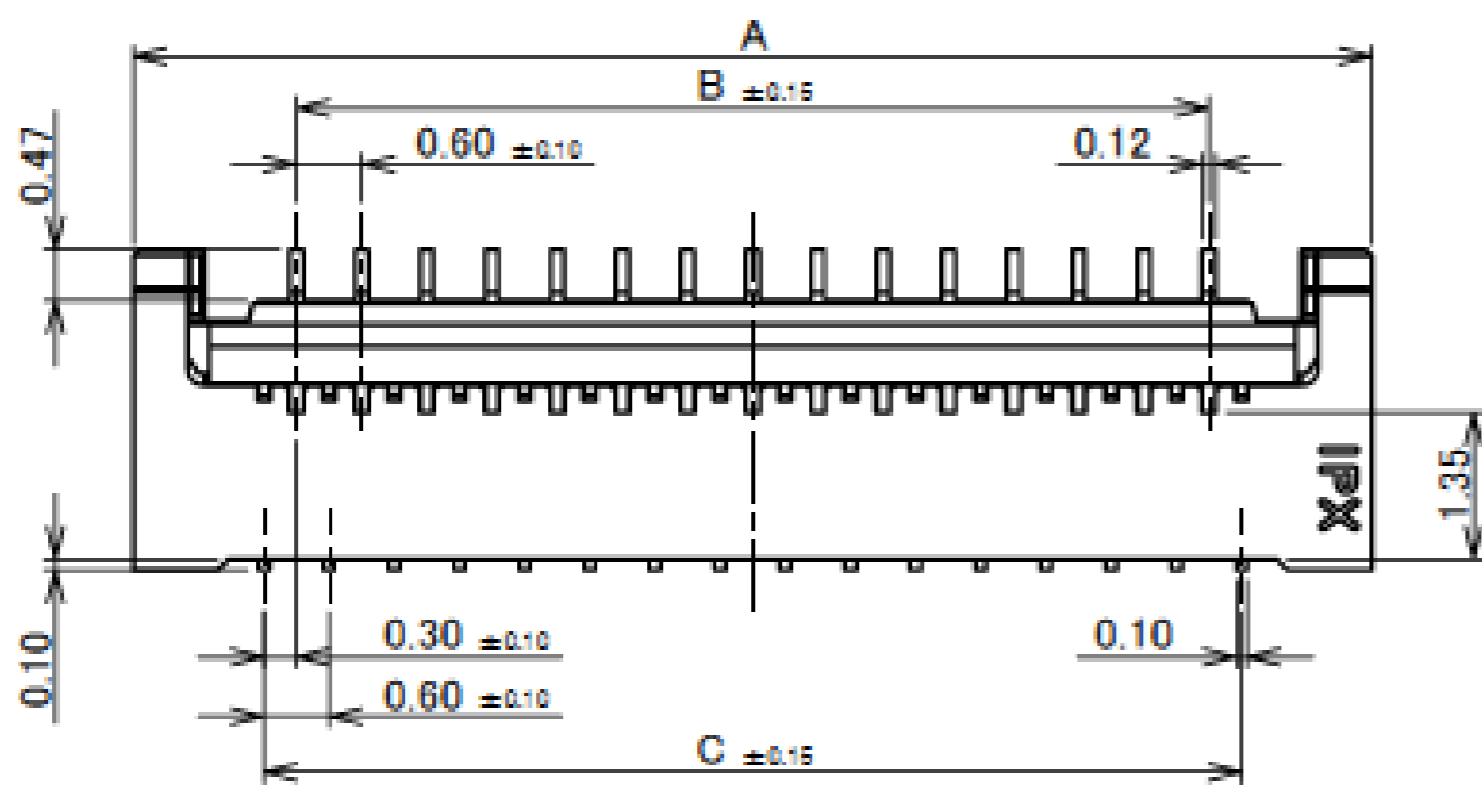


- FPC插入力上升
- FPC保持力無太大變化

# Component Parts Details

## Connector Assembly

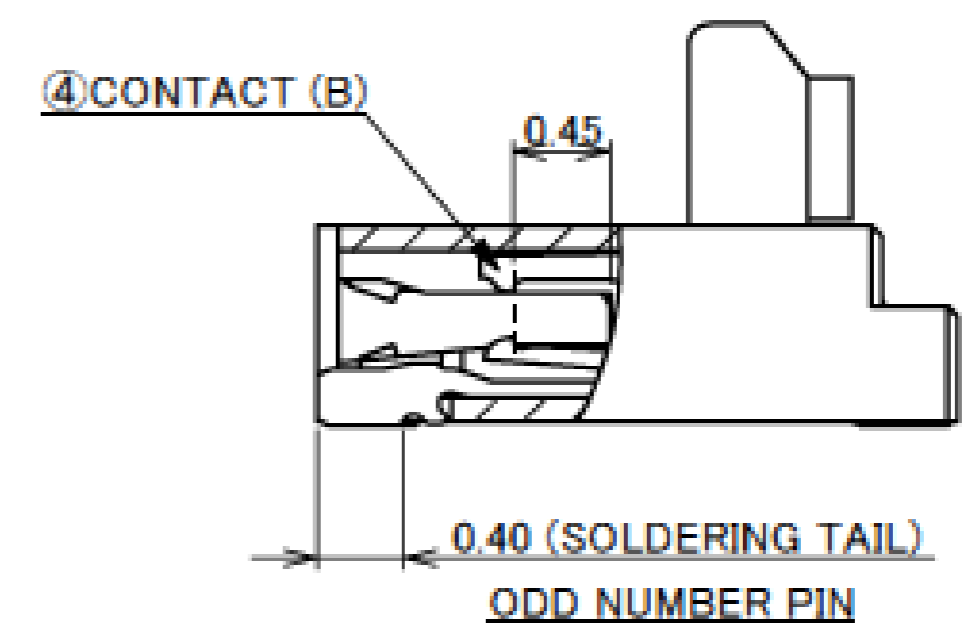
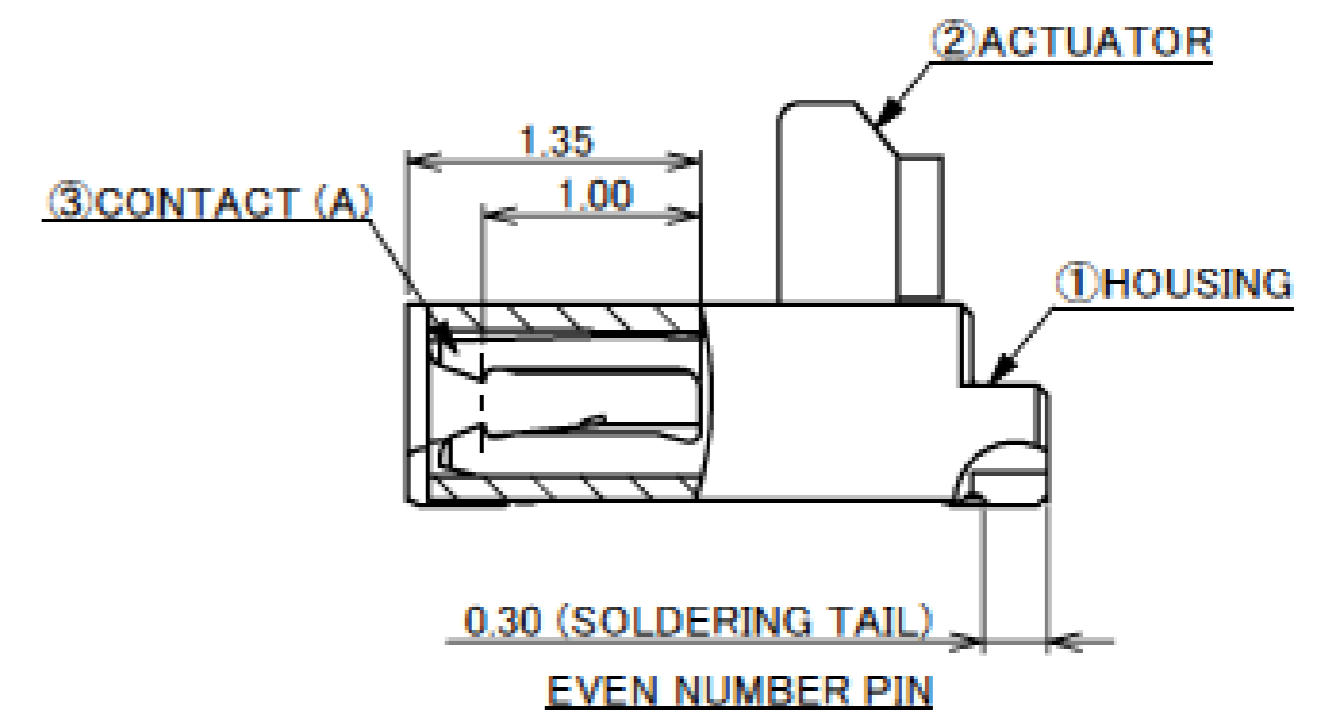
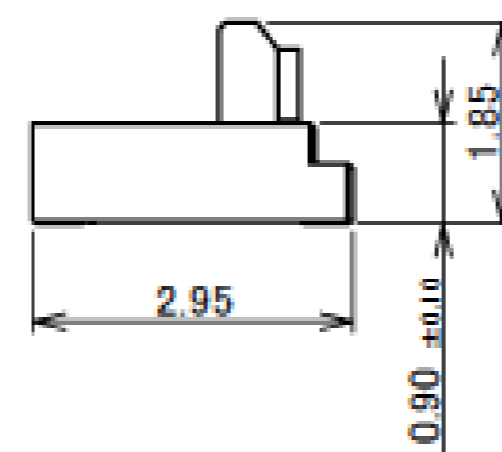
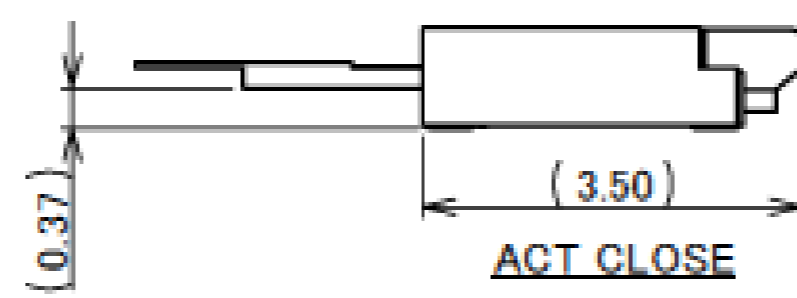
Recommended P/N 20660-0\*\*E-01



HF Halogen Free RoHS Compliant

| PART No.       | Pos. | A     | B     | C     | D     | E     | F     |
|----------------|------|-------|-------|-------|-------|-------|-------|
| ◆20660-031E-01 | 31P  | 11.40 | 8.40  | 9.00  | 9.65  | 10.00 | 10.25 |
| ◆20660-039E-01 | 39P  | 13.80 | 10.80 | 11.40 | 12.05 | 12.40 | 12.65 |
| ◆20660-061E-01 | 61P  | 20.40 | 17.40 | 18.00 | 18.65 | 19.00 | 19.25 |
| ◆20660-071E-01 | 71P  | 23.40 | 20.40 | 21.00 | 21.65 | 22.00 | 22.25 |

◆MARK MEANS NOT AVAILABLE



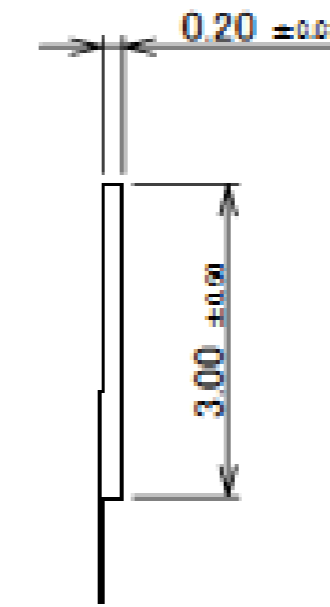
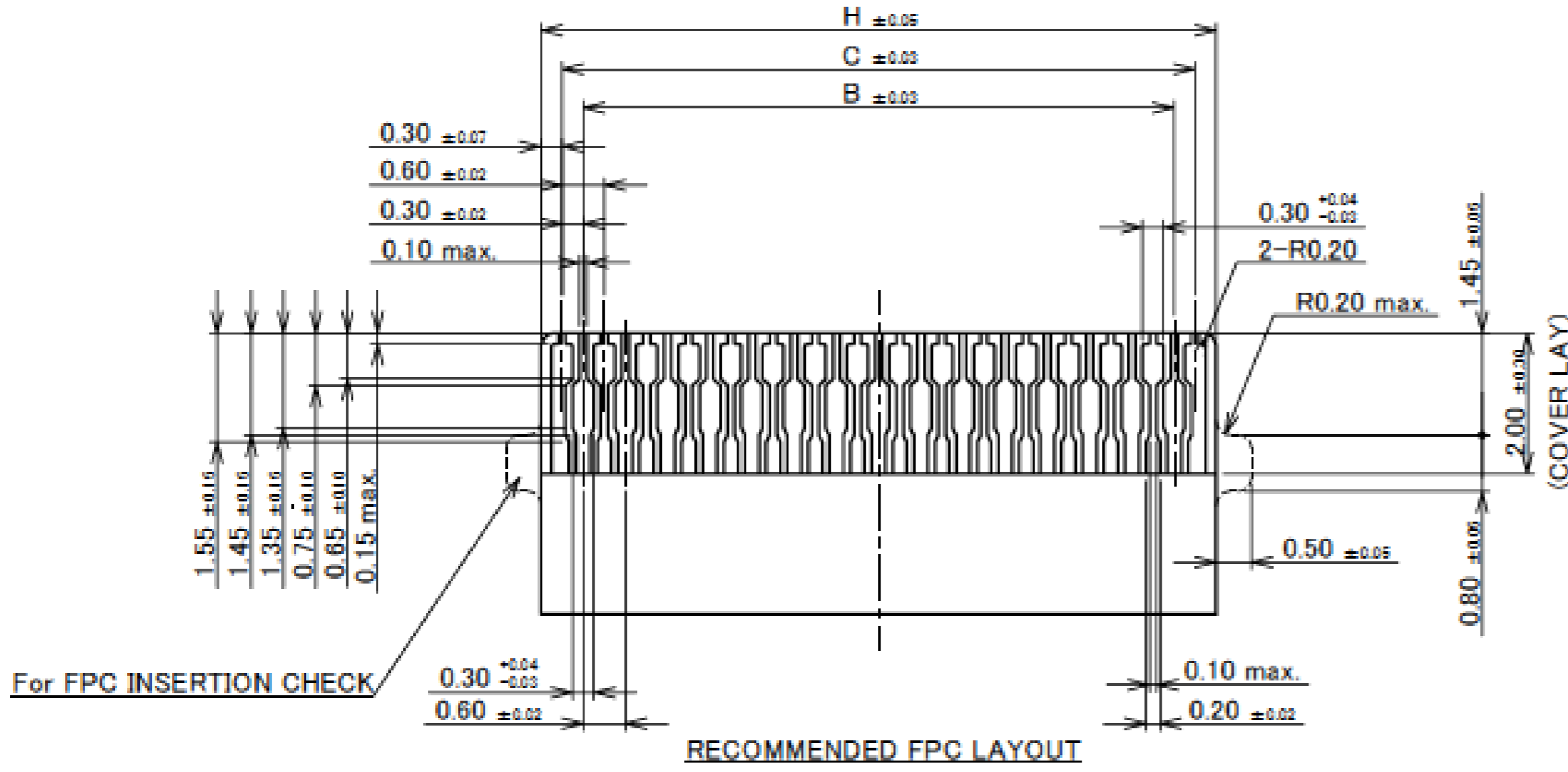
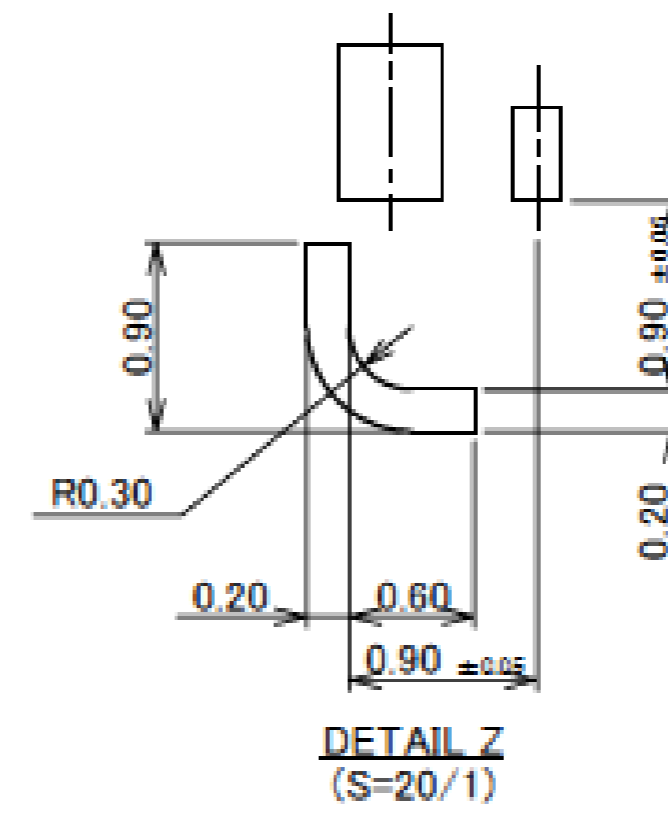
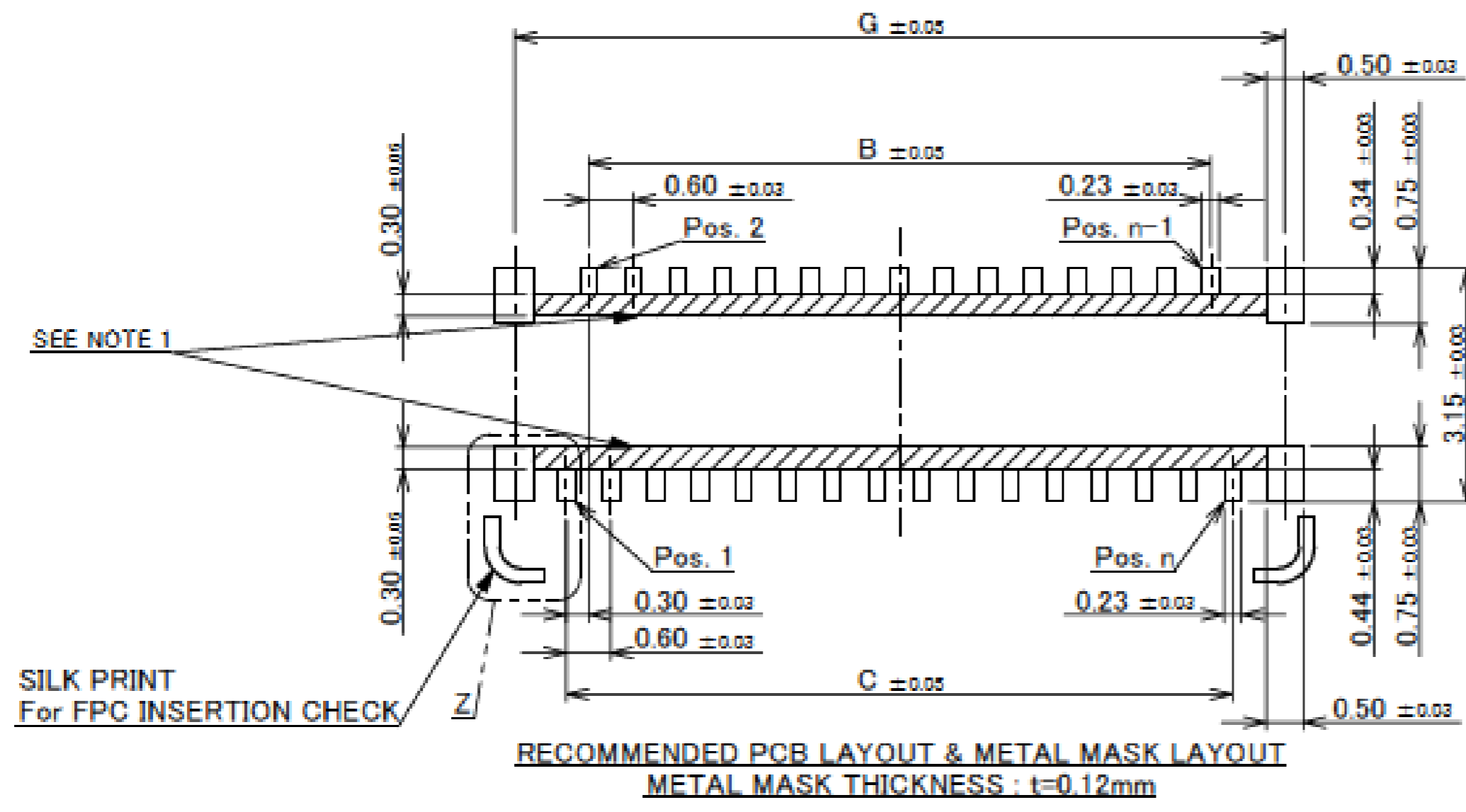
NOTE  
1. CONTACT POINT: TOP AND BOTTOM CONTACT

| NO. | DISCRIPTION | MATERIAL        | REMARKS   |
|-----|-------------|-----------------|---|
| 5   | HOLD DOWN   | BRASS           |   |
| 4   | CONTACT(B)  | PHOSPHOR BRONZE | CONTACT AREA : Au 0.1 μm MIN. OVER Ni 1.0 μm MIN.<br>SOLDERING AREA : Au 0.03 μm MIN. OVER Ni 1.0 μm MIN. |
| 3   | CONTACT(A)  | PHOSPHOR BRONZE | CONTACT AREA : Au 0.1 μm MIN. OVER Ni 1.0 μm MIN.<br>SOLDERING AREA : Au 0.03 μm MIN. OVER Ni 1.0 μm MIN. |
| 2   | ACTUATOR    | LCP             | UL94V-0, BEIGE  |
| 1   | HOUSING     | LCP             | UL94V-0, BEIGE  |

# Connector Assembly

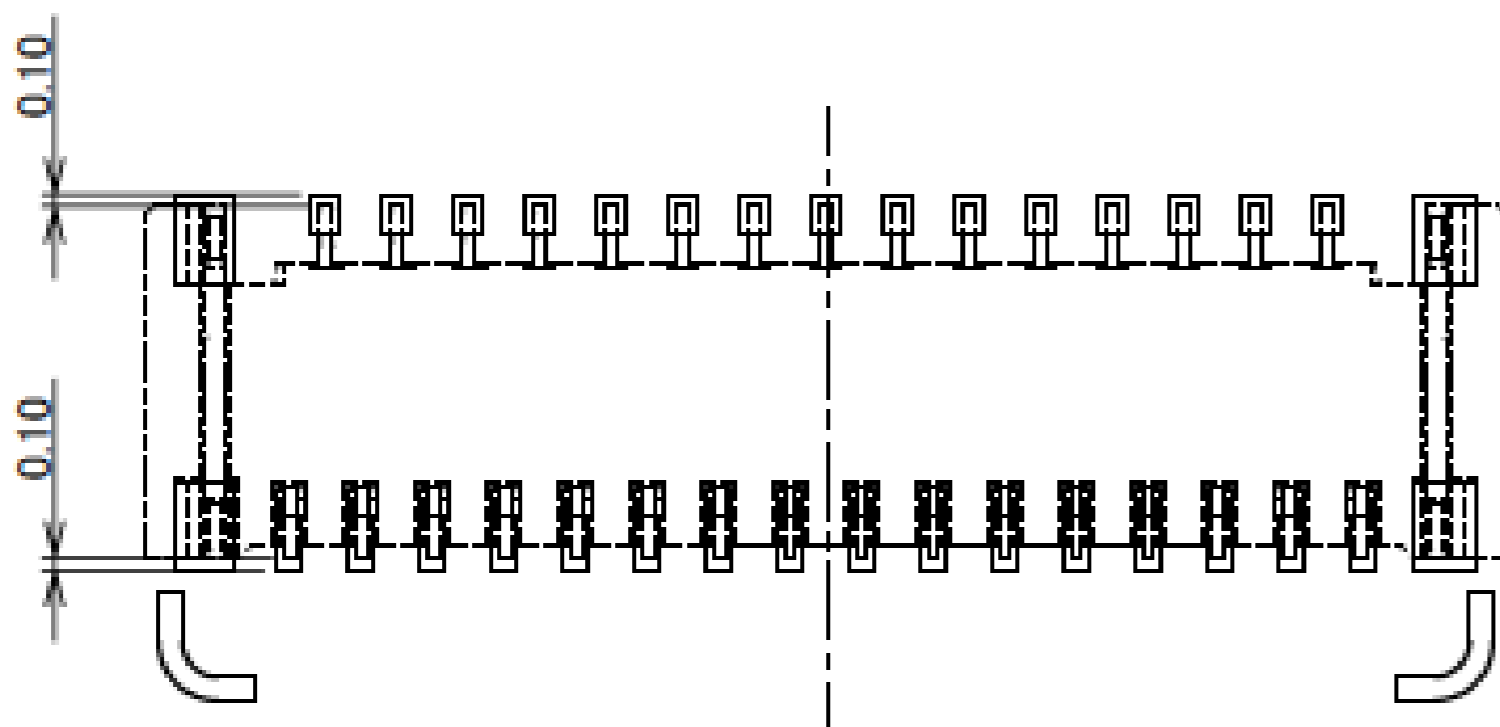
| PART No.       | Pos. | B     | C     | G     | H     |
|----------------|------|-------|-------|-------|-------|
| ◆20660-031E-01 | 31P  | 8.40  | 9.00  | 10.40 | 9.60  |
| 20660-039E-01  | 39P  | 10.80 | 11.40 | 12.80 | 12.00 |
| ◆20660-061E-01 | 61P  | 17.40 | 18.00 | 19.40 | 18.60 |
| ◆20660-071E-01 | 71P  | 20.40 | 21.00 | 22.40 | 21.60 |

◆MARK MEANS NOT AVAILABLE.

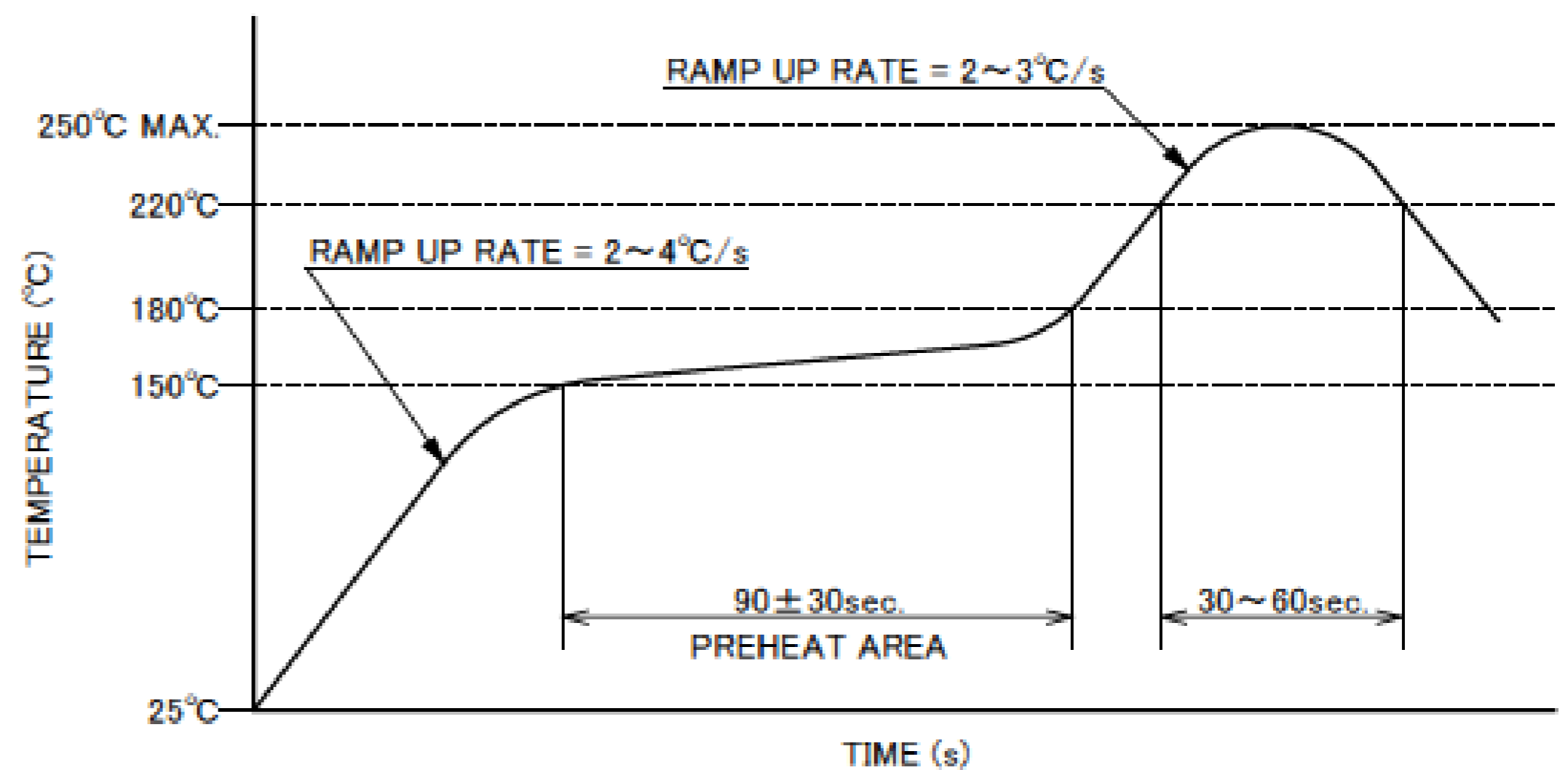


NOTE  
1. SOLDER RESIST MUST BE APPLIED TO THIS AREA.

Rev.9



CONNECTOR ON RECOMMENDED FOOTPRINT PATTERN



REFLOW TEMPERATURE PROFILE  
SENJU METAL INDUSTRY CO., LTD. : M705-SHF(Sn96.5 Ag3.0 Cu0.5)

# Connector Assembly

| ITEMS  | SPECIFICATION   |
|--|---|
| RATING VOLTAGE                                   | 50V AC/DC (PER CONTACT PIN)   |
| RATING AMPERAGE                                  | 0.3A DC (PER CONTACT PIN)   |
| OPERATING TEMPERATURE                            | 233~358K(-40°C~+85°C)   |
| OPERATING HUMIDITY                               | 85% MAX.(NON-CONDENSING)  |
| CONTACT RESISTANCE                               | INITIAL : 60mohm MAX. / AFTER TEST : $\triangle$ 40mohm MAX.              |
| INSULATION RESISTANCE                            | 100Mohm MIN.  |
| DIELECTRIC WITHSTANDING VOLTAGE                  | AC250V 1min   |
| DURABILITY                                       | 20TH CYCLES   |
| ACTUATOR LOCKING FORCE (INITIAL / 20TH CYCLES)   | INITIAL : 0.245N(24.5gf) × n MAX. / 20TH CYCLES : 0.245N(24.5gf) × n MAX. |
| ACTUATOR UNLOCKING FORCE (INITIAL / 20TH CYCLES) | INITIAL : 0.014N(1.4gf) × n MIN. / 20TH CYCLES : 0.014N(1.4gf) × n MIN.   |
| FPC RETENTION FORCE (INITIAL / AFTER TEST)       | INITIAL : 0.13N(13gf) × n MIN. / AFTER TEST : 0.10N(10gf) × n MIN.        |
| COPLANARITY                                      | 0.10 MAX.   |
| PRODUCT SPECIFICATION                            | PRS-2073  |
| TEST REPORT                                      | TR-15025  |
| PACKING STANDARD                                 | PST-15042   |
| INSTRUCTION MANUAL                               | HIM-14004   |
| APPEARANCE CRITERIA No.                          | QLS-A***  |

※ "n" IS THE NUMBER OF PIN



CAUTION


PLEASE BE SURE TO READ AND UNDERSTAND "INSTRUCTION MANUAL" BEFORE YOU USE OUR PRODUCTS.

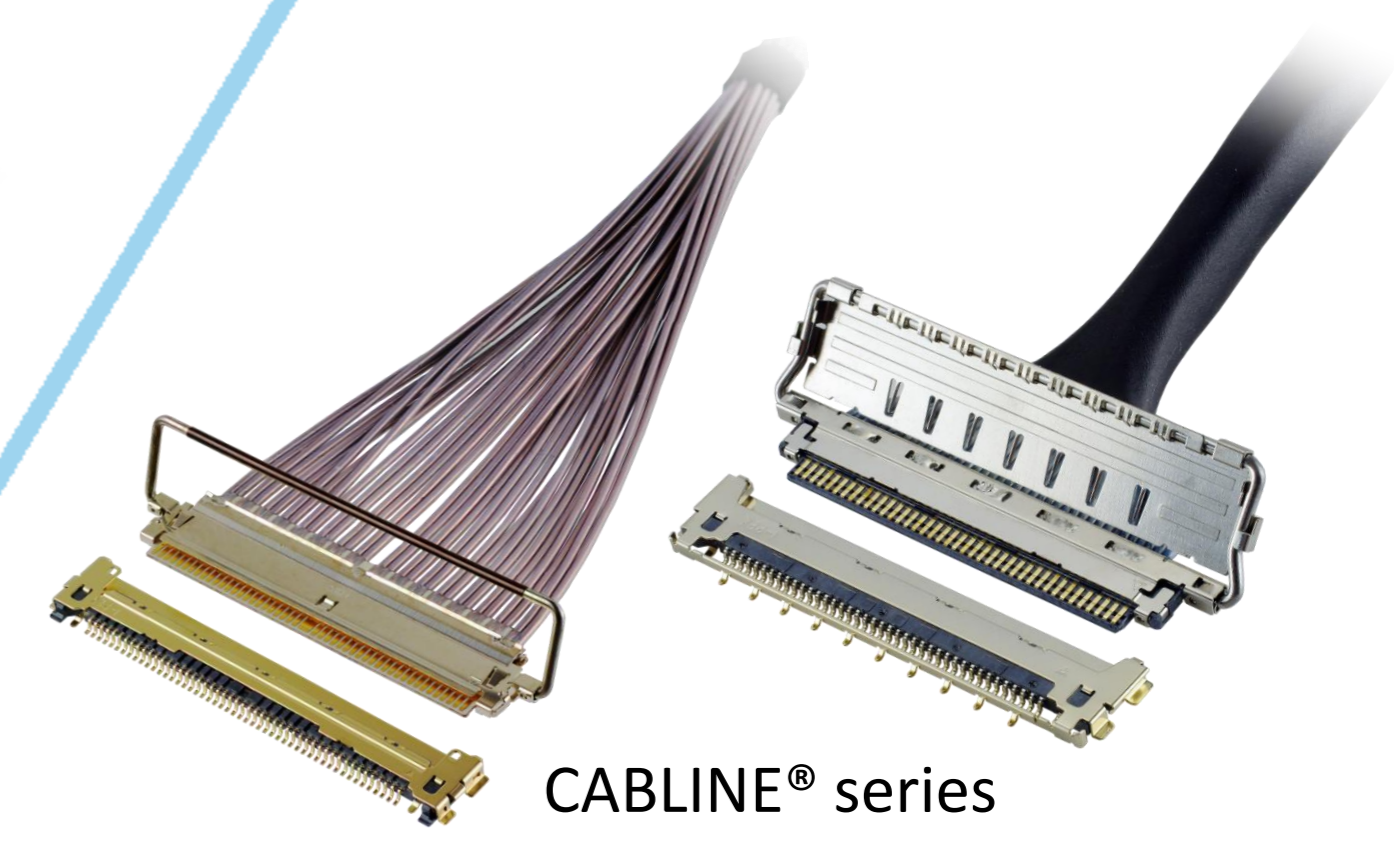
# Custom Connectors Available

 RF Connector

MHF® series



 CABLINE® series  
Micro-coaxial/Twinax/  
Discrete Wire Connector



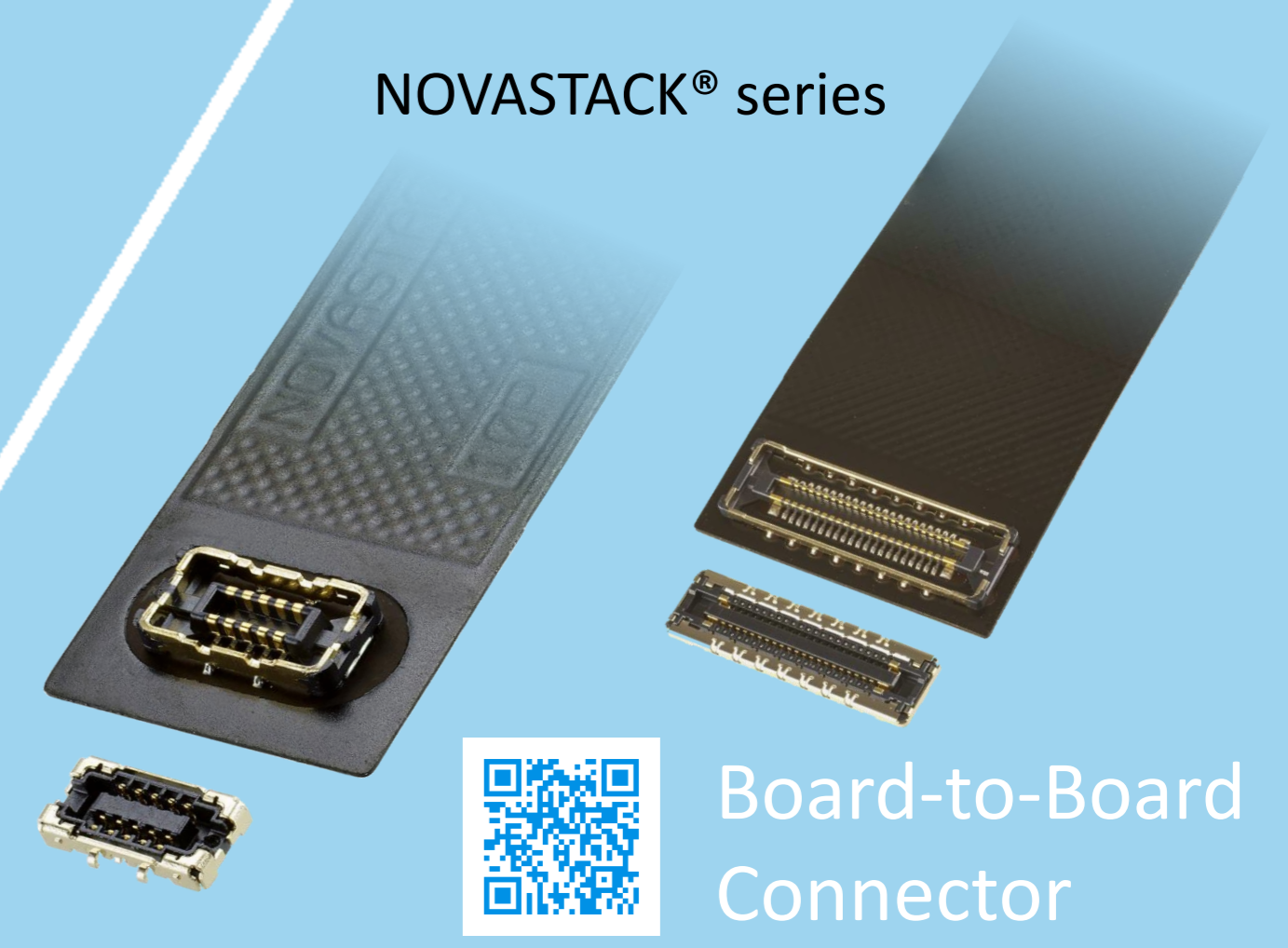
 Optical Module

LIGHTPASS® series



NOVASTACK® series

 Board-to-Board Connector



 Power Connector/  
Terminal

AP series

ISH® series



MINIFLEX® series

EVAFLEX® series

 FPC FFC Connector

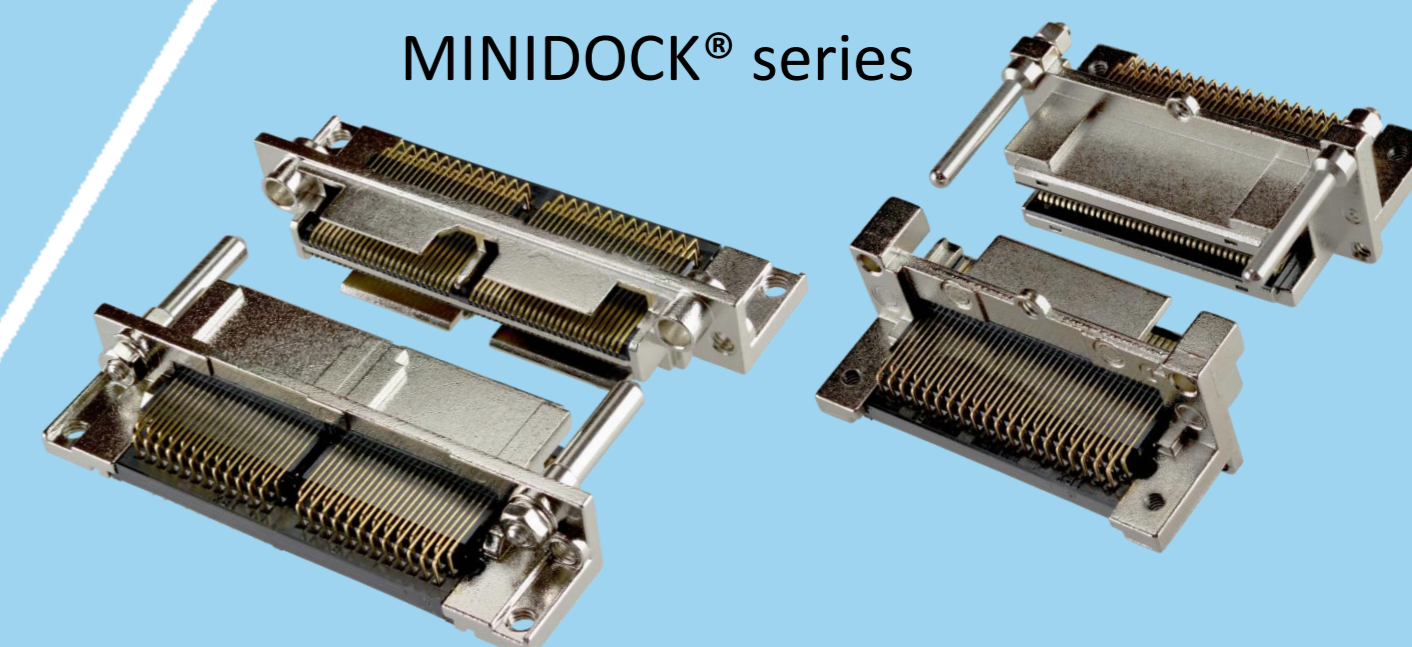


Inquiry



MINIDOCK® series

 I/O Connector



I-PEX, MHF, CABLINE, LIGHTPASS, NOVASTACK, ISH, IARPB, MINIFLEX, EVAFLEX, MINIDOCKS and ZenShield are registered trademarks of I-PEX Inc. Please note that the contents in the catalog might be changed without prior notification. I-PEX Inc. assumes no responsibility for any inaccuracies or obligation to update information on these documents. Please be sure to read and understand the latest "Precautions for Use" and "Instruction Manual" before you use our products. We shall not be responsible for any defects, damages or troubles in case you use our products without following the precautions for use. Please feel free to contact our sales representatives when you use our products for any applications that require very high reliability and safety, or that relate to human life (ex. nuclear power control, aerospace, transportation, medical equipment, safety equipment etc.).

Contact your sales representative or more detailed information.

[www.i-pex.com](http://www.i-pex.com)



# I-PEX

© I-PEX Inc. 2024  
All rights reserved