

MINIFLEX® 3-BFNH L-HD

0.3 mmピッチ,水平嵌合,バックフリップ,ホールドダウンタイプ ロングアクチュエータ(高さ= 0.9 mm)

Product Specifications:

Board Pitch (mm)	0.3	
Wiping Length (mm)	Contact A: 0.90	
	Contact B: 0.45	
Size (mm)	Height	0.90 +/- 0.10
	Width	Formula: 1.5 + (0.3*?p)
	Depth	Open: 2.55 Close: 3.50
Pin counts	Range	7-71 (odd)
	Available	39,61

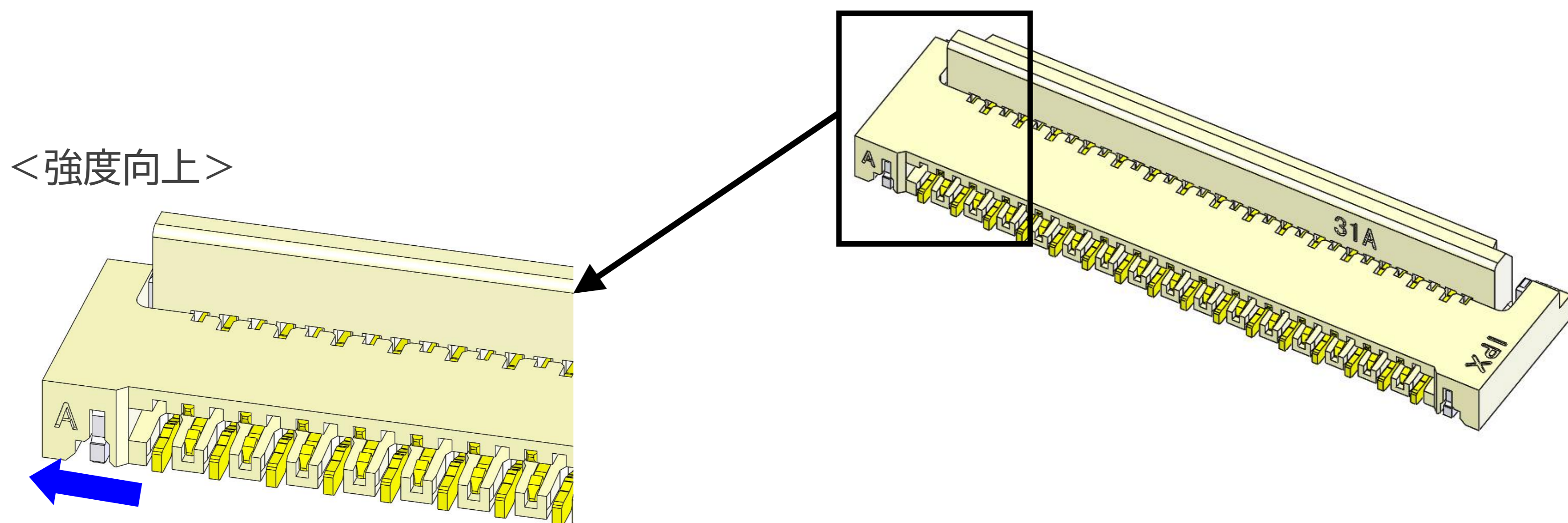
Applicable FPC/FFC:

FPC/FFC Contact Pitch	0.3
FPC/FFC Contact Point	Top and Bottom
FPC/FFC Thickness (mm)	0.2 +/- 0.03

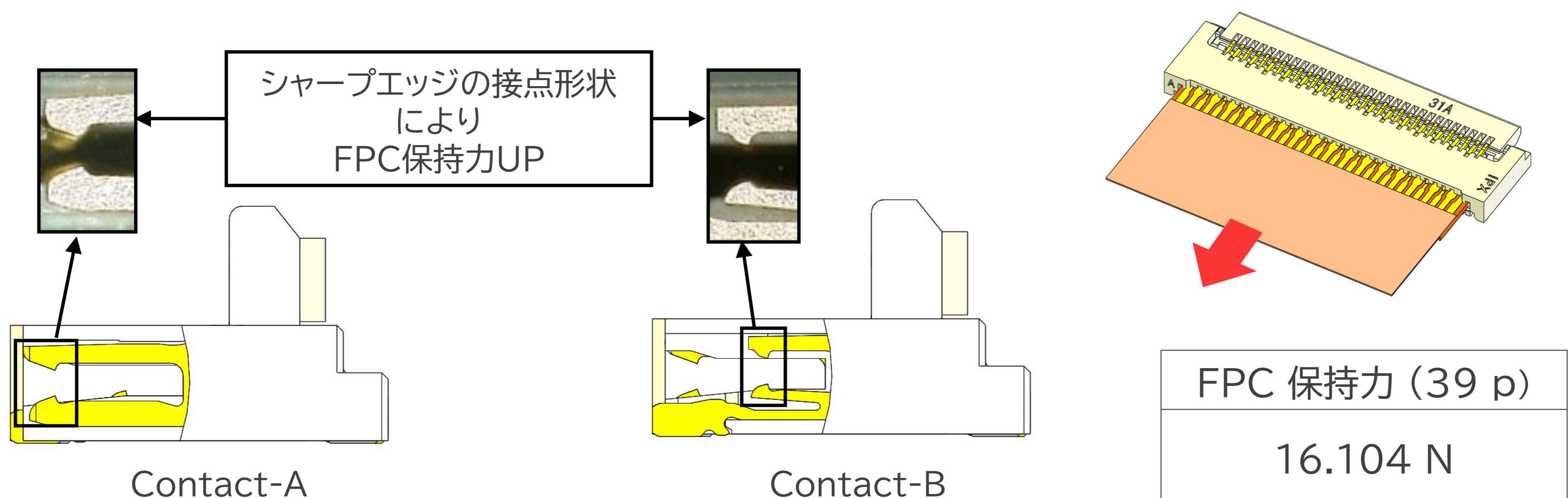
*記載のない極数の対応状況についてはお問い合わせください。



▶ ホールドダウンによる側壁強度UP



▶ シャープエッジ形状による高FPC保持力



▶ FPC未挿入状態でのアクチュエータ空閉じ操作

SMTプロセス後に、もしもFPC未挿入状態でアクチュエータを操作してしまった場合でも十分にコネクタとして機能します

- FPC未挿入状態でのアクチュエータ空閉じ操作前後のコンタクト接点間寸法 (表図 MINIFLEX® 3-BFNH L-HD 39 pins)

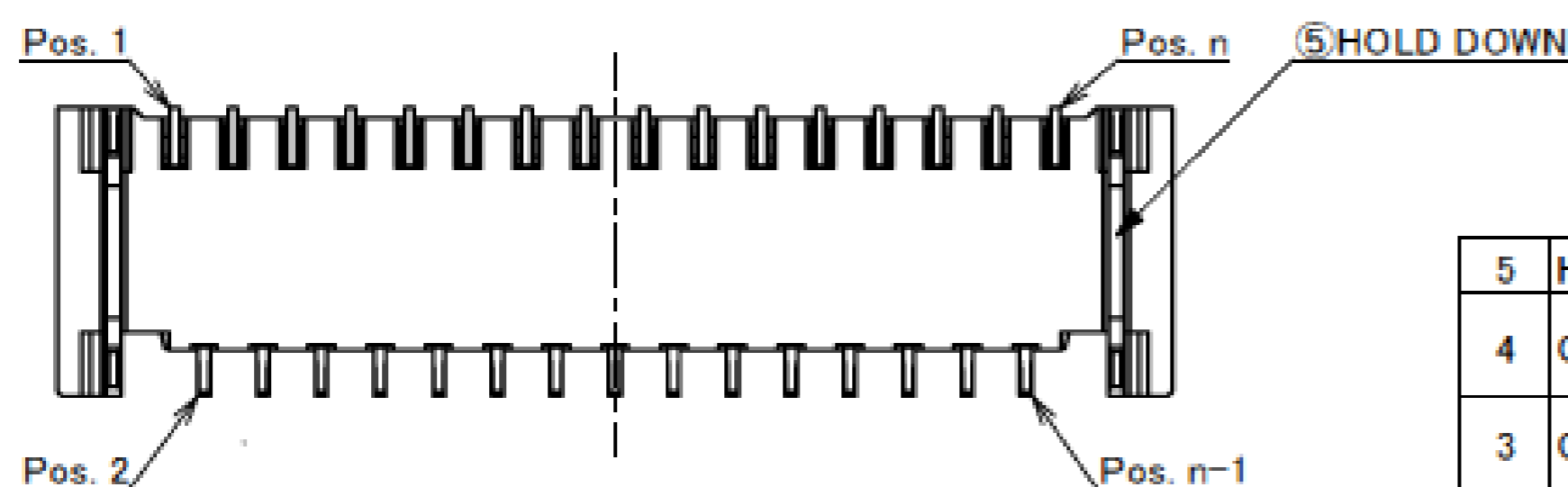
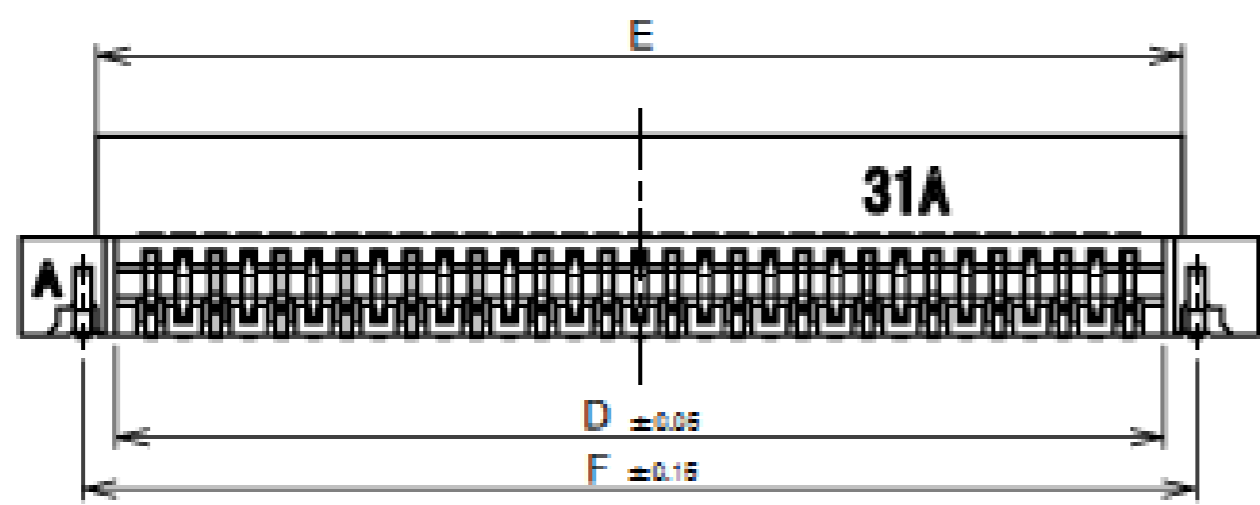
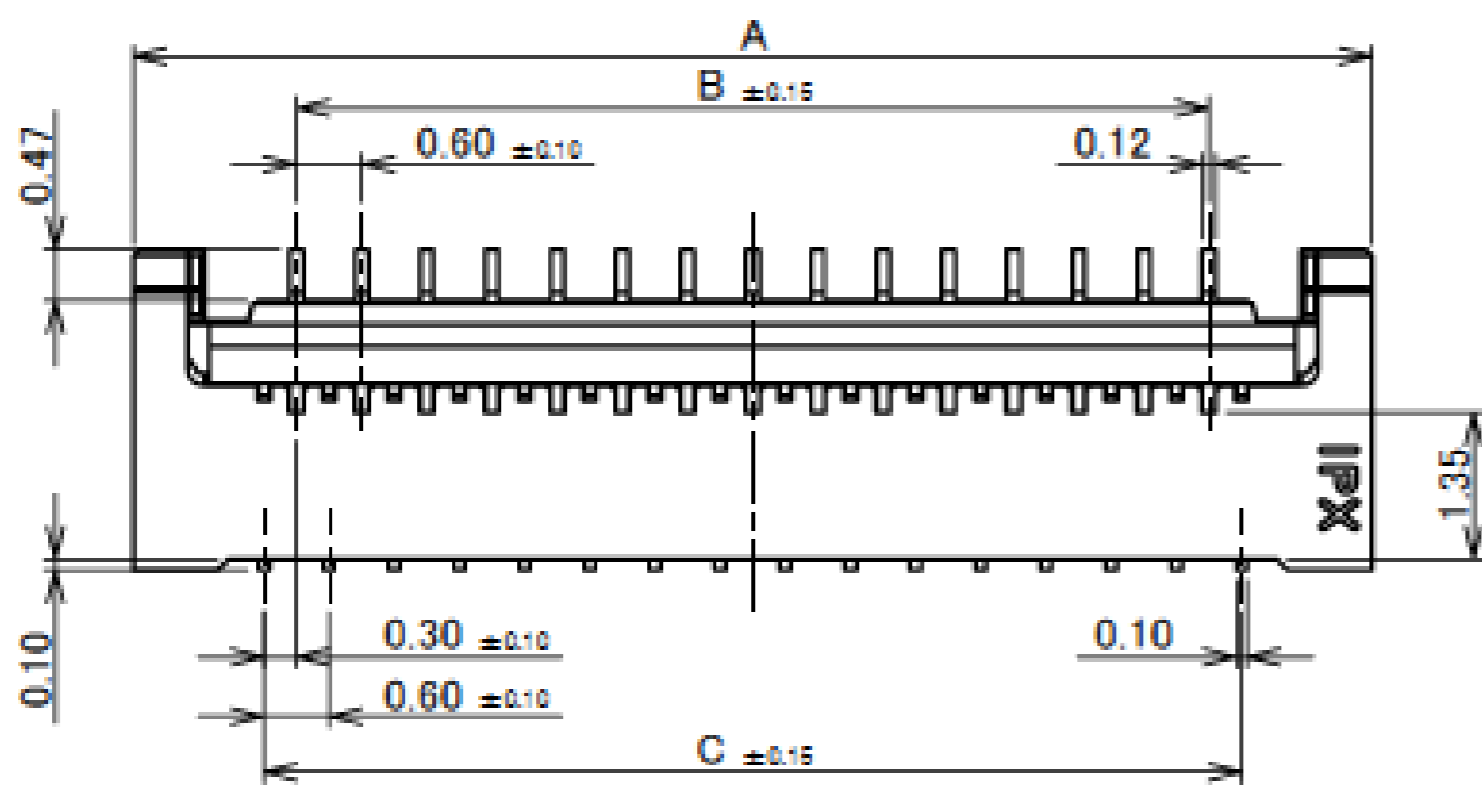


- FPC挿入力は上昇します
- FPC保持力に大きな変化はありません

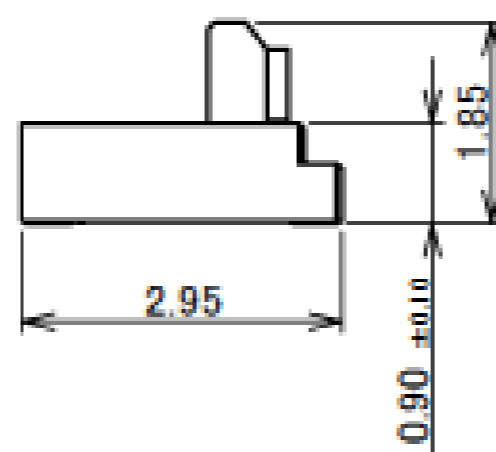
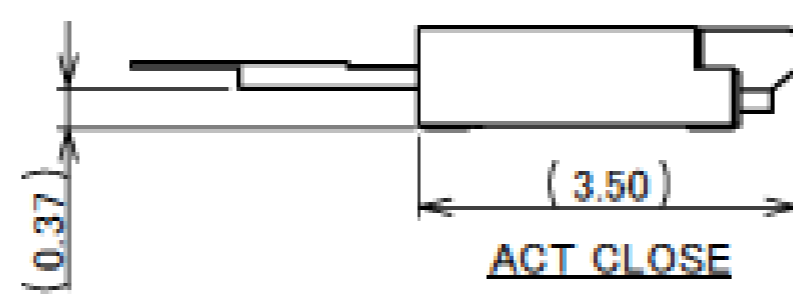
Component Parts Details

Connector Assembly

Recommended P/N 20660-0**E-01

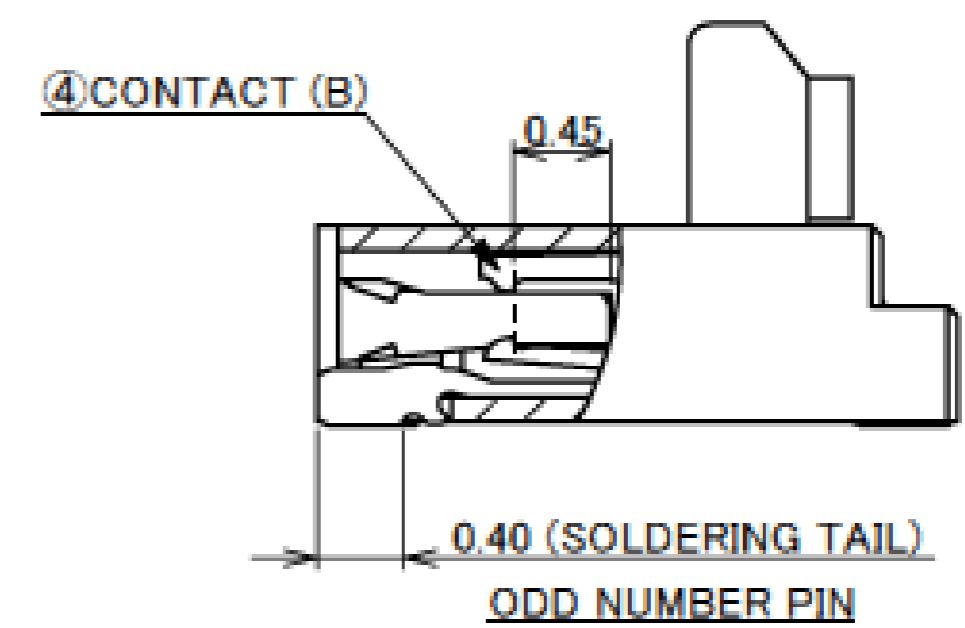
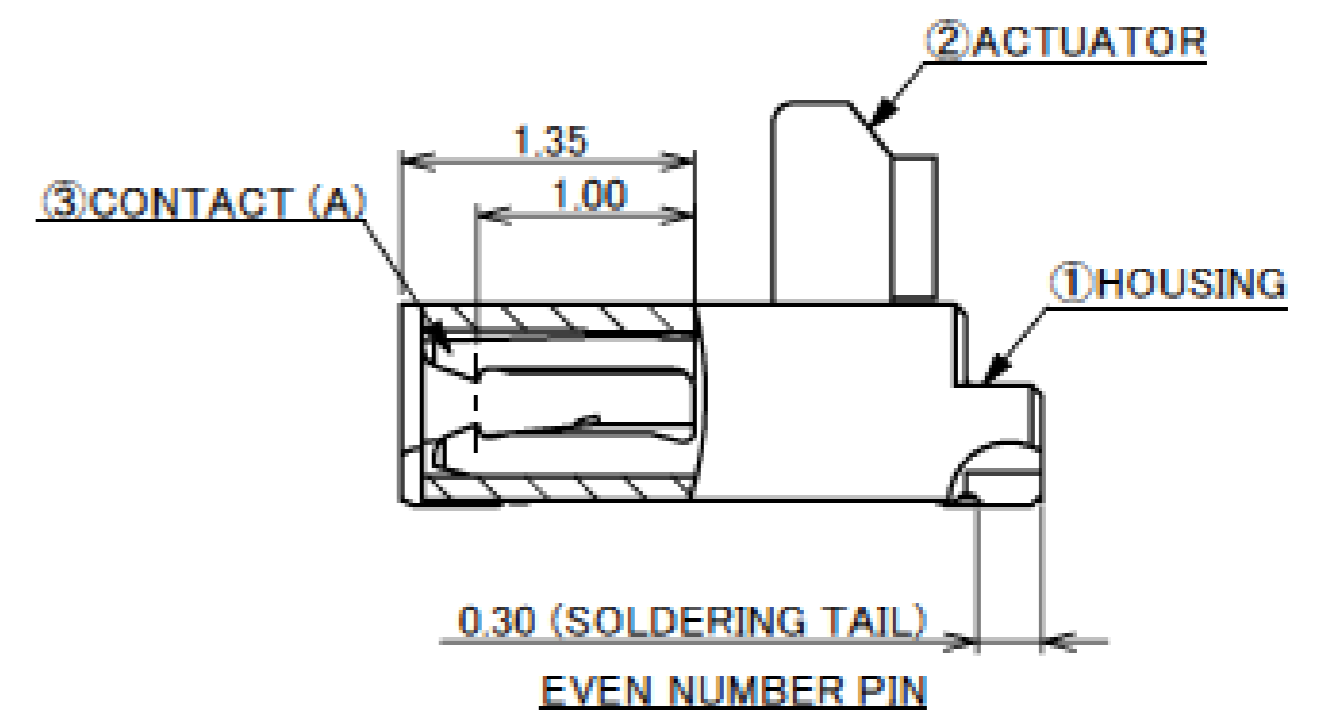


HF Halogen Free
RoHS Compliant



PART No.	Pos.	A	B	C	D	E	F
◆20660-031E-01	31P	11.40	8.40	9.00	9.65	10.00	10.25
◆20660-039E-01	39P	13.80	10.80	11.40	12.05	12.40	12.65
◆20660-061E-01	61P	20.40	17.40	18.00	18.65	19.00	19.25
◆20660-071E-01	71P	23.40	20.40	21.00	21.65	22.00	22.25

◆MARK MEANS NOT AVAILABLE



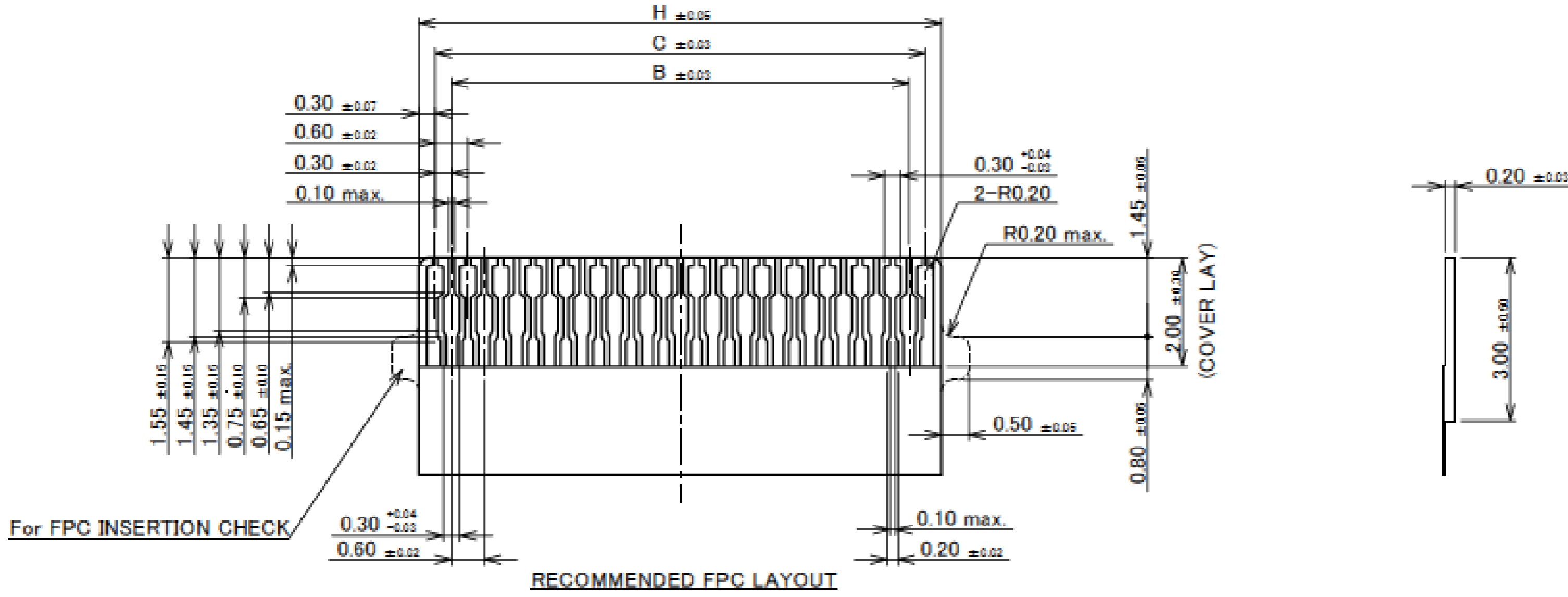
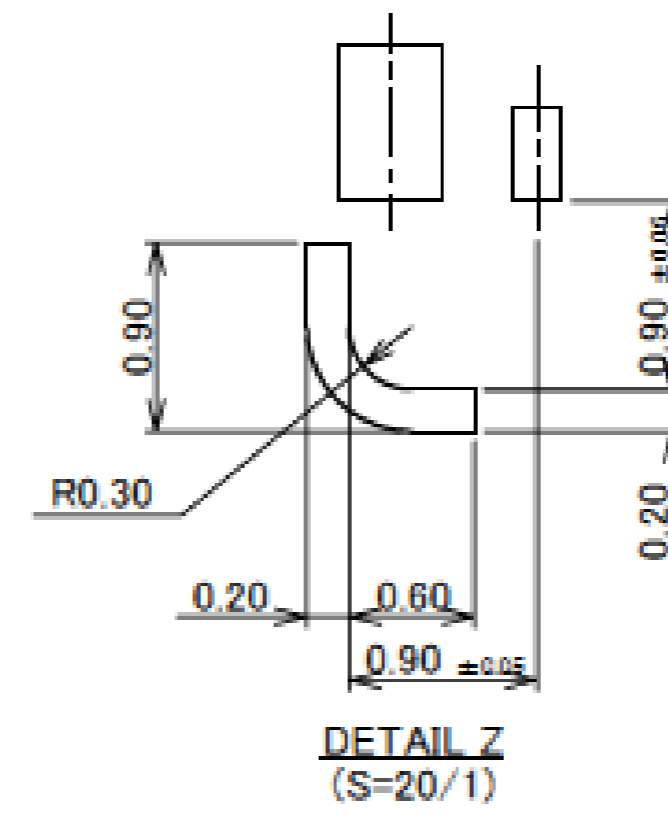
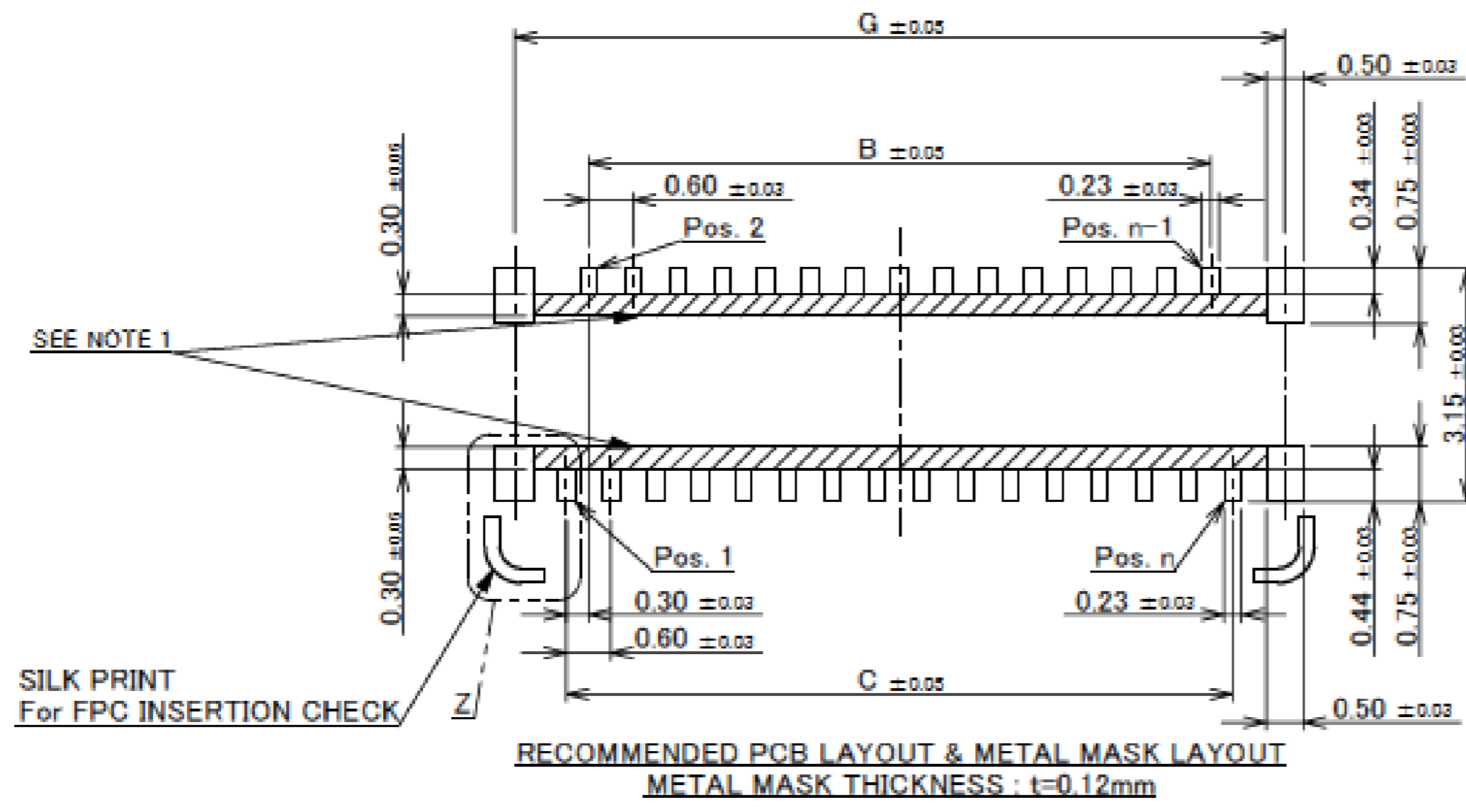
NOTE
1. CONTACT POINT: TOP AND BOTTOM CONTACT

5	HOLD DOWN	BRASS	
4	CONTACT(B)	PHOSPHOR BRONZE	CONTACT AREA : Au 0.1 μm MIN. OVER Ni 1.0 μm MIN. SOLDERING AREA : Au 0.03 μm MIN. OVER Ni 1.0 μm MIN.
3	CONTACT(A)	PHOSPHOR BRONZE	CONTACT AREA : Au 0.1 μm MIN. OVER Ni 1.0 μm MIN. SOLDERING AREA : Au 0.03 μm MIN. OVER Ni 1.0 μm MIN.
2	ACTUATOR	LCP	UL94V-0, BEIGE
1	HOUSING	LCP	UL94V-0, BEIGE
NO.	DISCRIPTION	MATERIAL	REMARKS

Connector Assembly

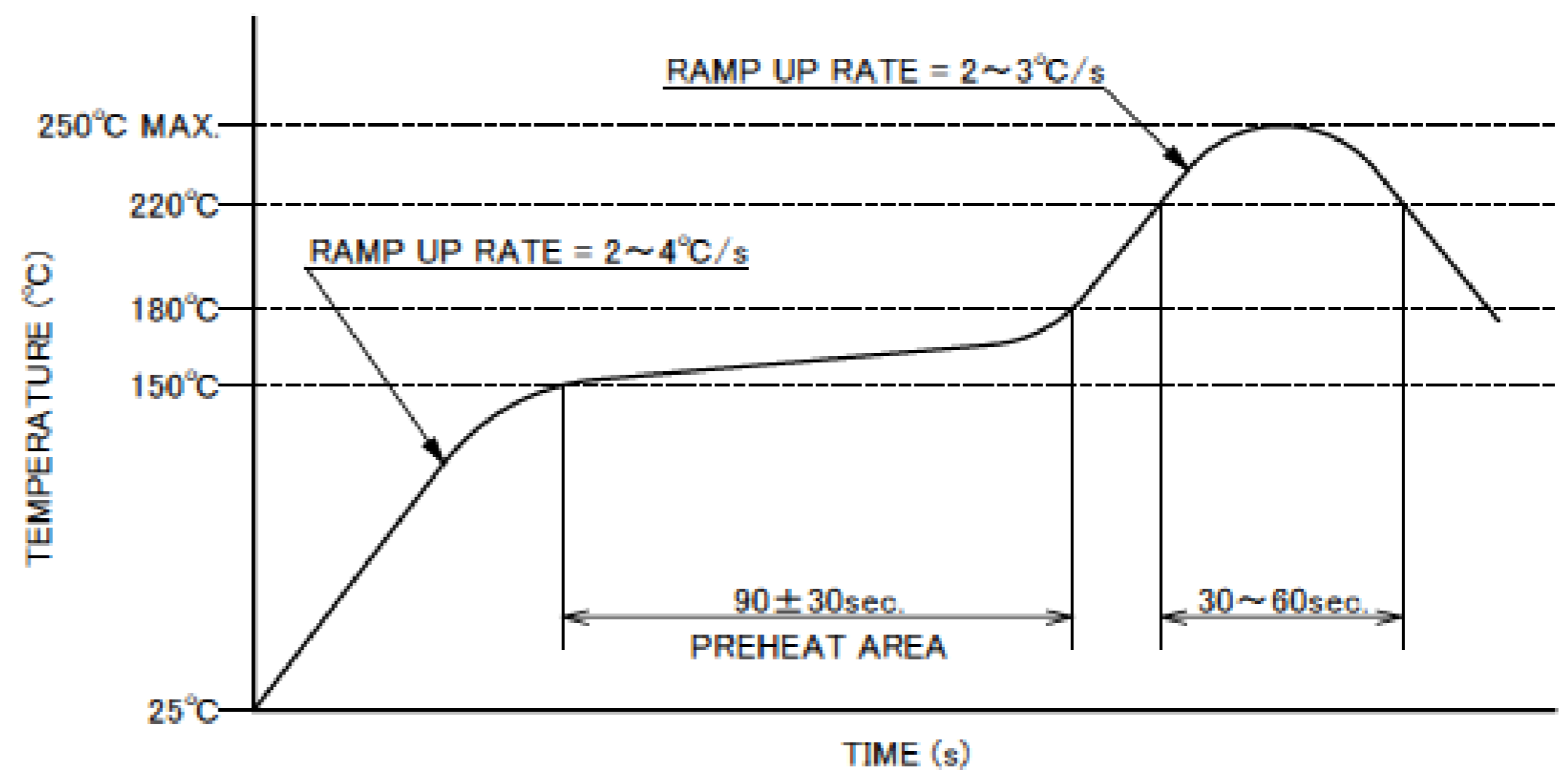
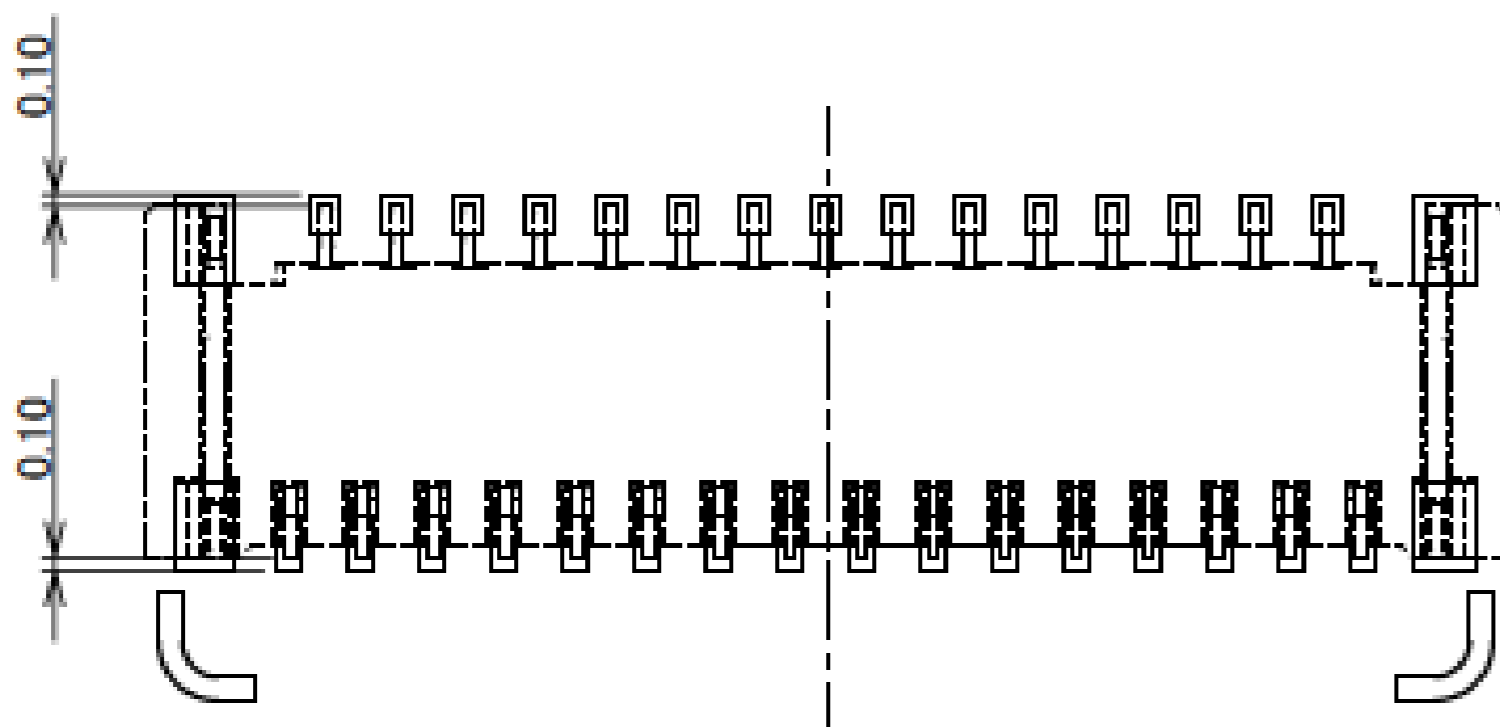
PART No.	Pos.	B	C	G	H
◆20660-031E-01	31P	8.40	9.00	10.40	9.60
20660-039E-01	39P	10.80	11.40	12.80	12.00
◆20660-061E-01	61P	17.40	18.00	19.40	18.60
◆20660-071E-01	71P	20.40	21.00	22.40	21.60

◆MARK MEANS NOT AVAILABLE.



NOTE
1. SOLDER RESIST MUST BE APPLIED TO THIS AREA.

Rev.9



Connector Assembly

ITEMS	SPECIFICATION
RATING VOLTAGE	50V AC/DC (PER CONTACT PIN)
RATING AMPERAGE	0.3A DC (PER CONTACT PIN)
OPERATING TEMPERATURE	233~358K(-40°C~+85°C)
OPERATING HUMIDITY	85% MAX.(NON-CONDENSING)
CONTACT RESISTANCE	INITIAL : 60mohm MAX. / AFTER TEST : \triangle 40mohm MAX.
INSULATION RESISTANCE	100Mohm MIN.
DIELECTRIC WITHSTANDING VOLTAGE	AC250V 1min
DURABILITY	20TH CYCLES
ACTUATOR LOCKING FORCE (INITIAL / 20TH CYCLES)	INITIAL : 0.245N(24.5gf) × n MAX. / 20TH CYCLES : 0.245N(24.5gf) × n MAX.
ACTUATOR UNLOCKING FORCE (INITIAL / 20TH CYCLES)	INITIAL : 0.014N(1.4gf) × n MIN. / 20TH CYCLES : 0.014N(1.4gf) × n MIN.
FPC RETENTION FORCE (INITIAL / AFTER TEST)	INITIAL : 0.13N(13gf) × n MIN. / AFTER TEST : 0.10N(10gf) × n MIN.
COPLANARITY	0.10 MAX.
PRODUCT SPECIFICATION	PRS-2073
TEST REPORT	TR-15025
PACKING STANDARD	PST-15042
INSTRUCTION MANUAL	HIM-14004
APPEARANCE CRITERIA No.	QLS-A***

※ "n" IS THE NUMBER OF PIN



CAUTION


PLEASE BE SURE TO READ AND UNDERSTAND "INSTRUCTION MANUAL" BEFORE YOU USE OUR PRODUCTS.

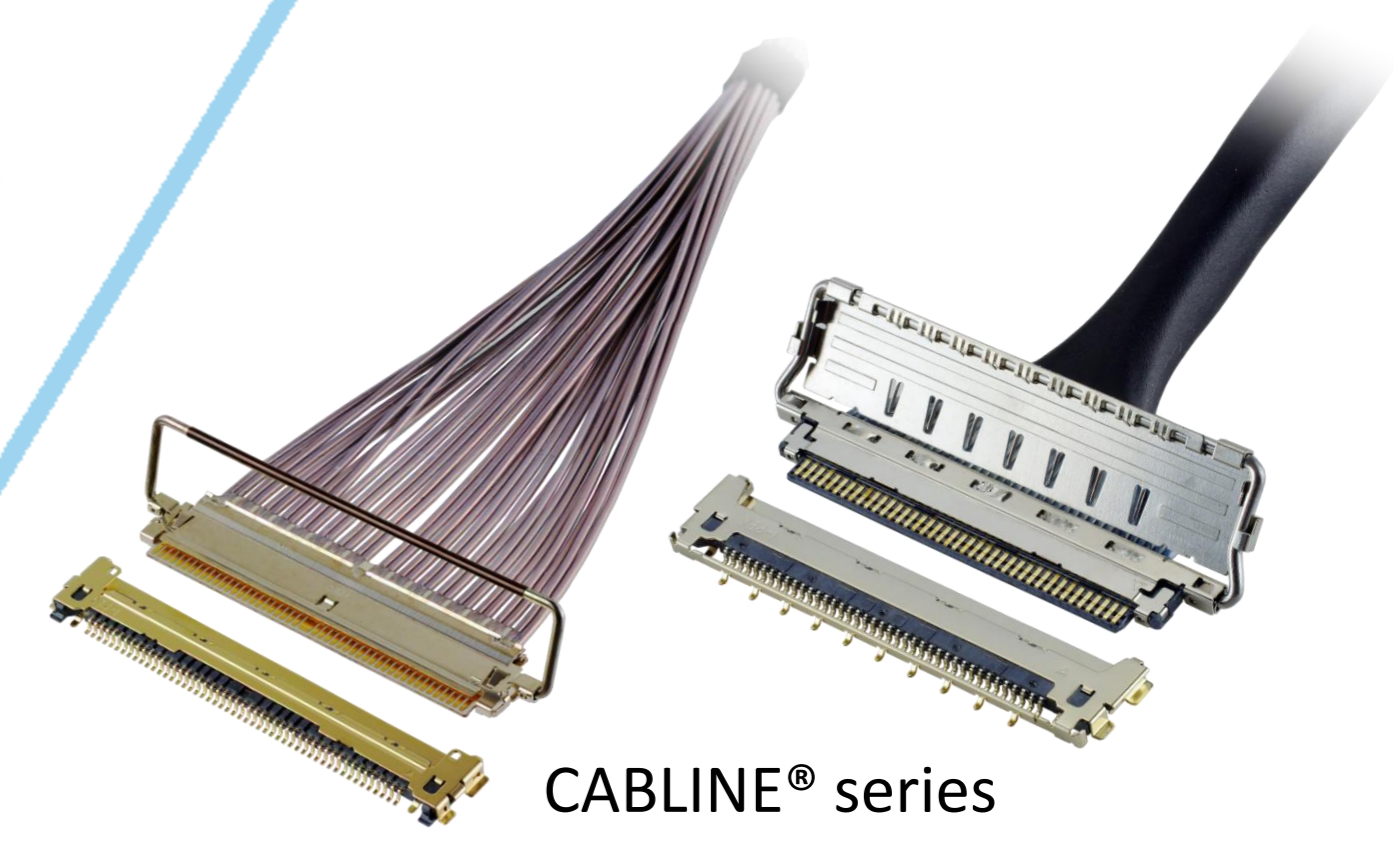
Custom Connectors Available

 RF Connector

MHF® series



 CABLINE® series
Micro-coaxial/Twinax/
Discrete Wire Connector



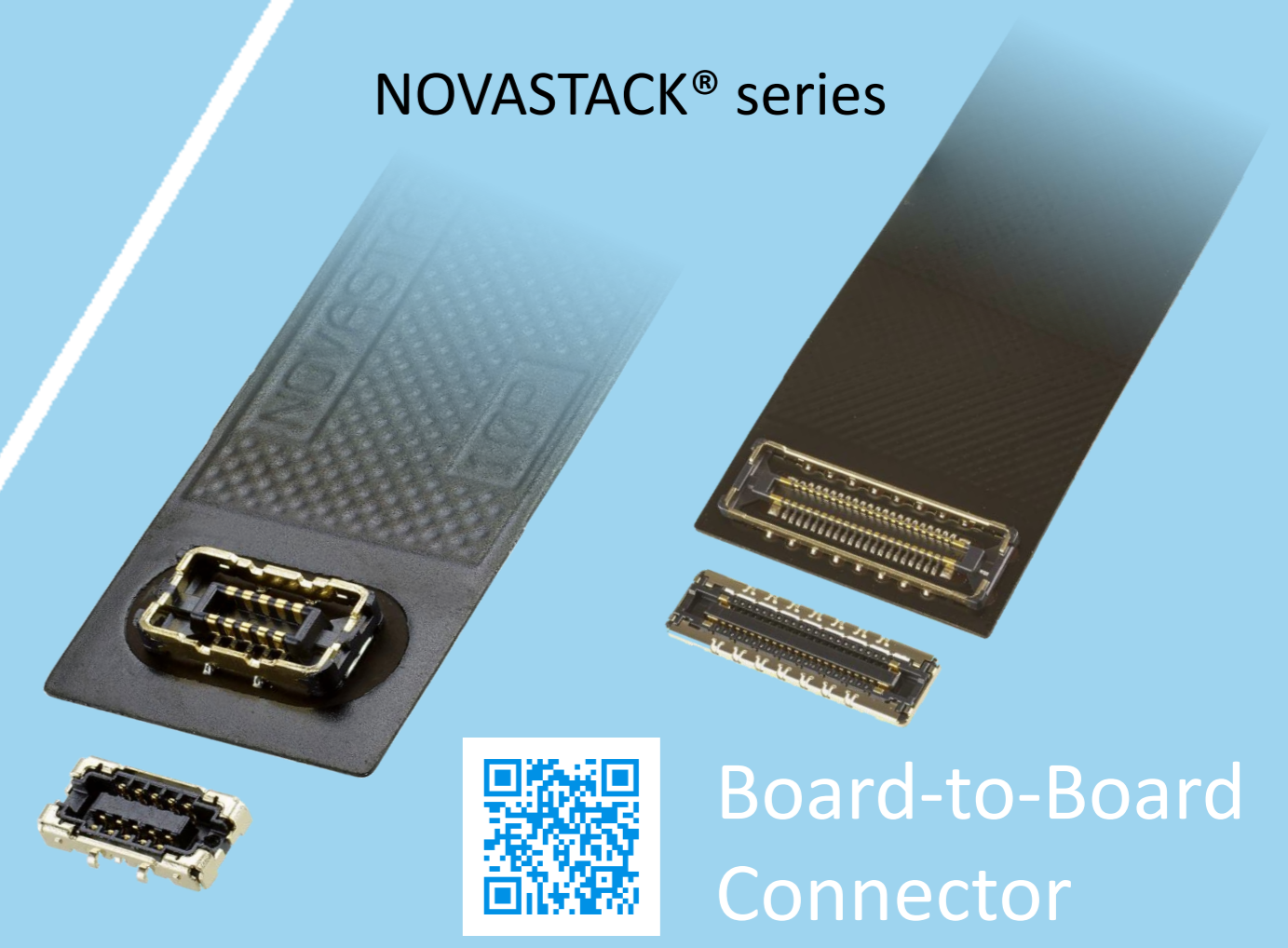
 Optical Module

LIGHTPASS® series



NOVASTACK® series

 Board-to-Board Connector



 Power Connector/
Terminal

AP series

ISH® series



MINIFLEX® series

EVAFLEX® series

 FPC FFC
Connector

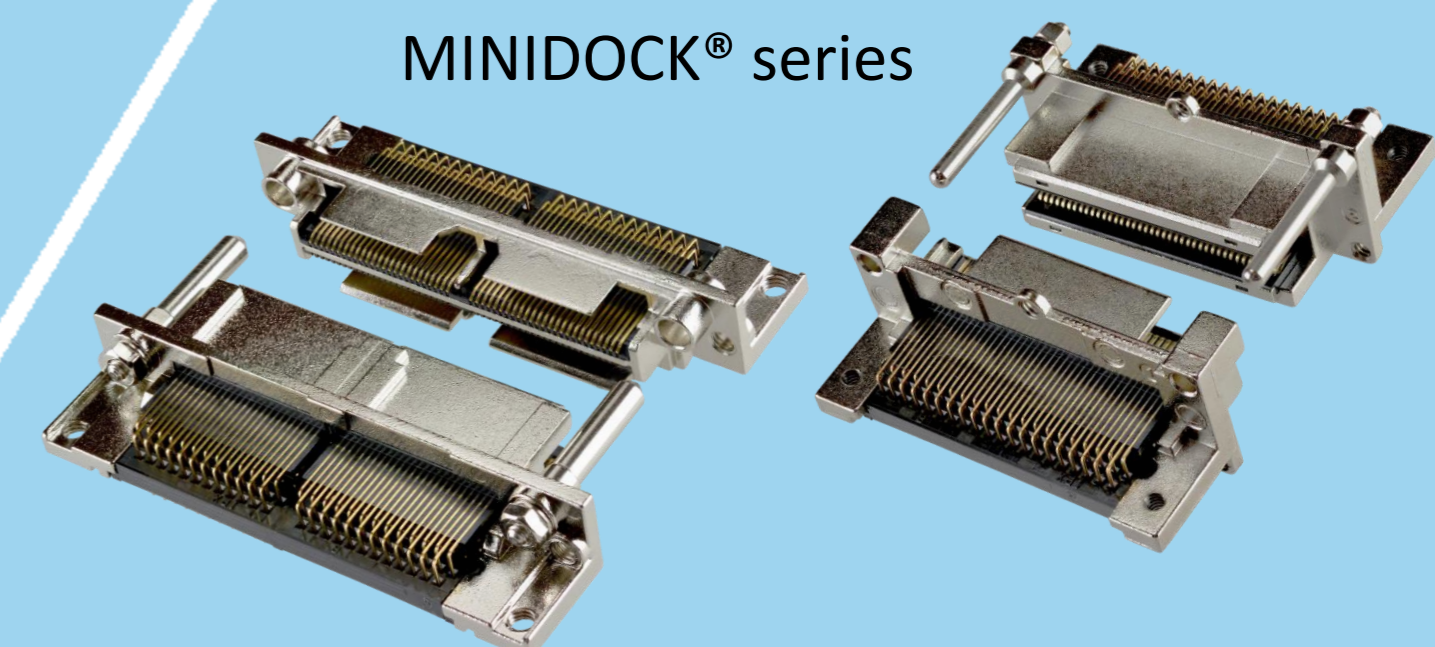


Inquiry



MINIDOCK® series

 I/O
Connector



I-PEX, MHF, CABLINE, LIGHTPASS, NOVASTACK, ISH, IARPB, MINIFLEX, EVAFLEX, MINIDOCKS and ZenShield are registered trademarks of I-PEX Inc. Please note that the contents in the catalog might be changed without prior notification. I-PEX Inc. assumes no responsibility for any inaccuracies or obligation to update information on these documents. Please be sure to read and understand the latest "Precautions for Use" and "Instruction Manual" before you use our products. We shall not be responsible for any defects, damages or troubles in case you use our products without following the precautions for use. Please feel free to contact our sales representatives when you use our products for any applications that require very high reliability and safety, or that relate to human life (ex. nuclear power control, aerospace, transportation, medical equipment, safety equipment etc.).

Contact your sales representative
or more detailed information.

www.i-pex.com



I-PEX

© I-PEX Inc. 2024
All rights reserved