

MINIFLEX® 3-BFN L-LK-HD

機械鎖扣 · Hold down 設計, 較長鋼琴蓋, 低背(高度 = 0.9 mm) · 0.3 mm 間距, 水平插拔, 後鎖式的堅固連接器

Product Specifications:

Board Pitch (mm)	0.3	
Wiping Length (mm)	Contact A:0.9	
	Contact B:0.45	
Size (mm)	Height	0.90 +/- 0.10
	Width	Formula: Even no pos: 3.0+(0.3*?p). Odd no pos: 2.7+(0.3*?p)
	Depth	Open:2.55 Close:3.5
Pin counts	Range	11-57 (odd)
	Available	11, 40, 45

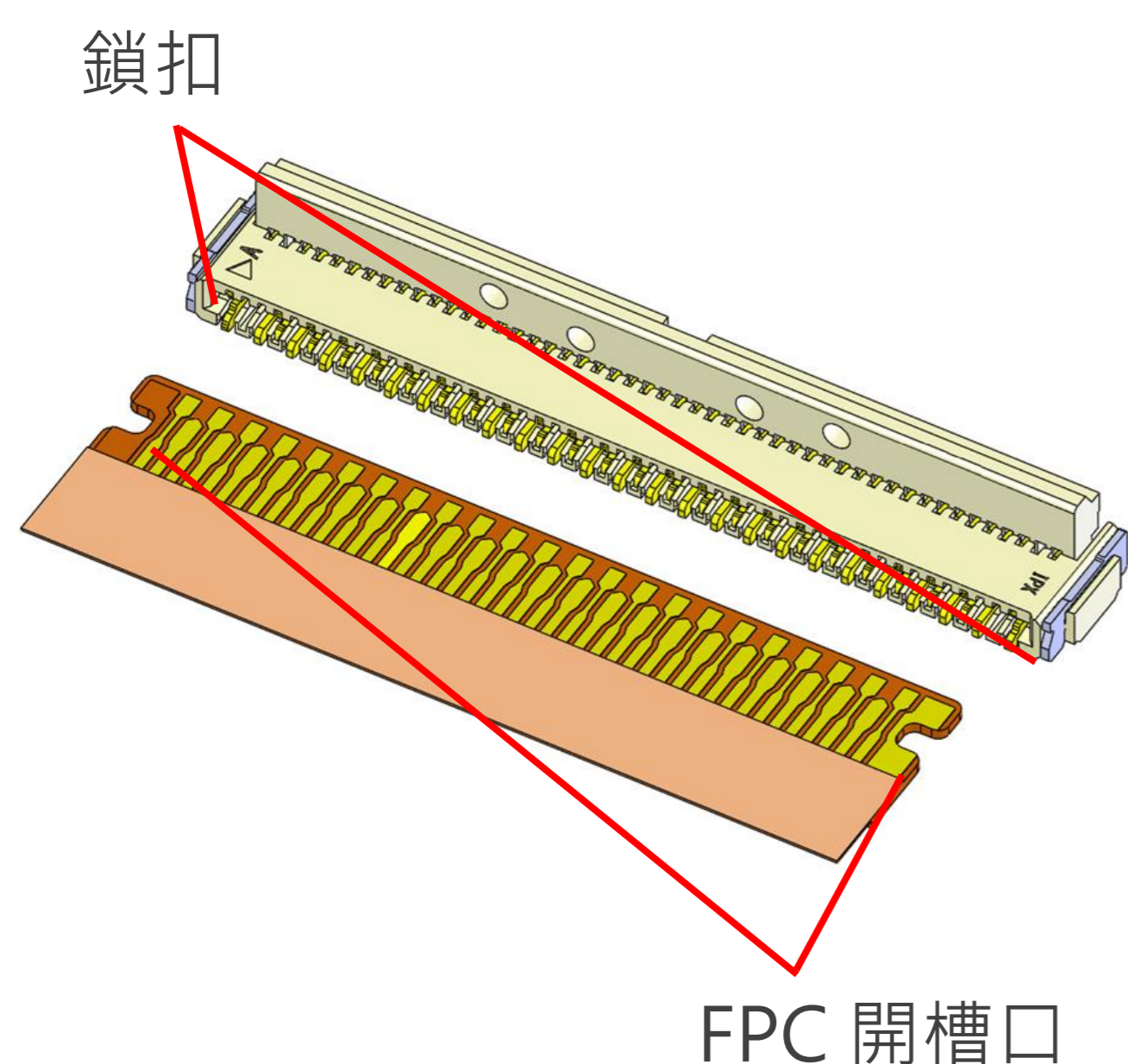
Applicable FPC/FFC:

FPC/FFC Contact Pitch	0.3
FPC/FFC Contact Point	Top and Bottom
FPC/FFC Thickness (mm)	0.2 +/- 0.03



*若有規格外 Pin 數需求, 請與當地負責業務窗口聯繫。

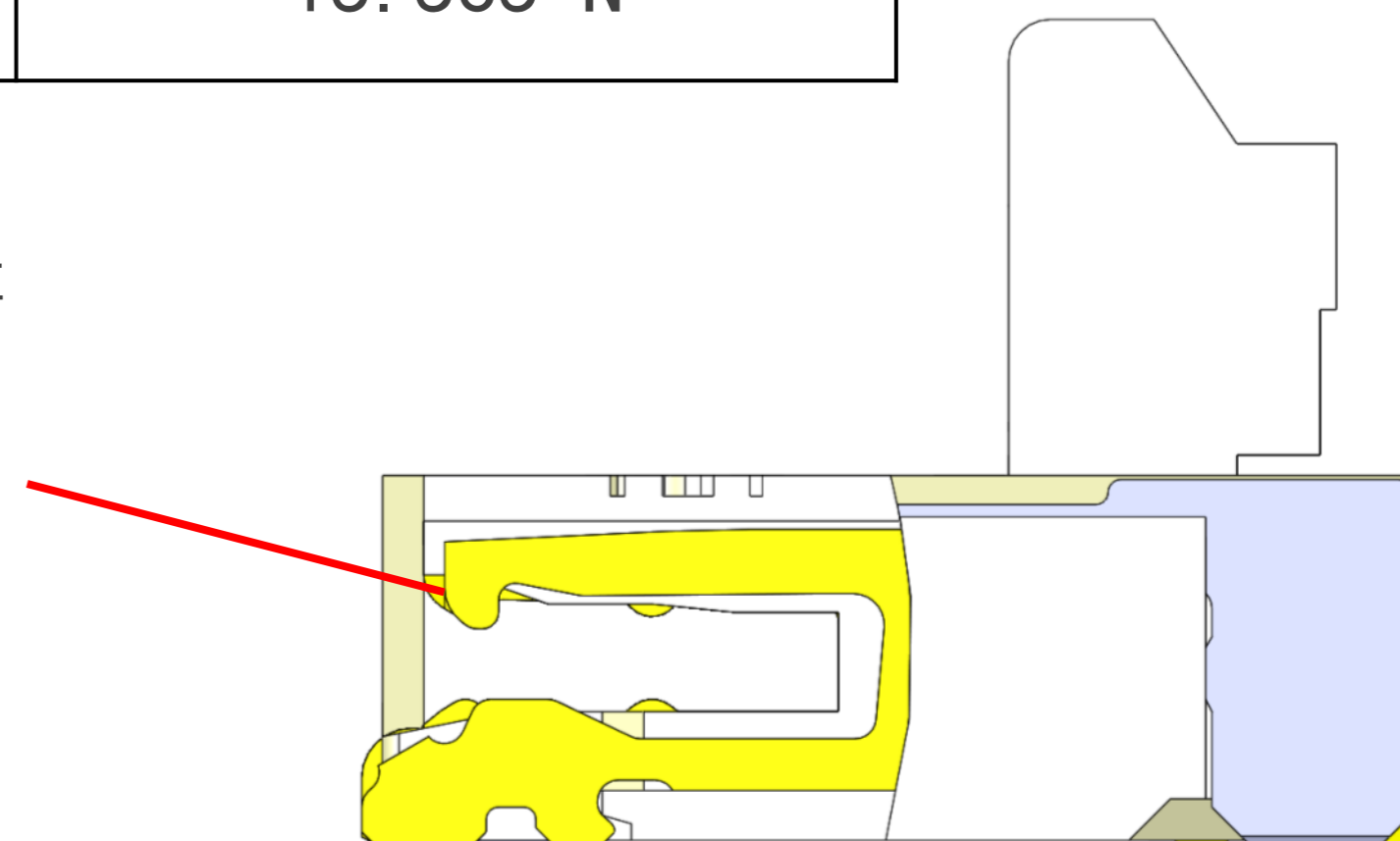
▶ 附加機械鎖扣提高 FPC 保持力



FPC 保持力比較 (45 p)

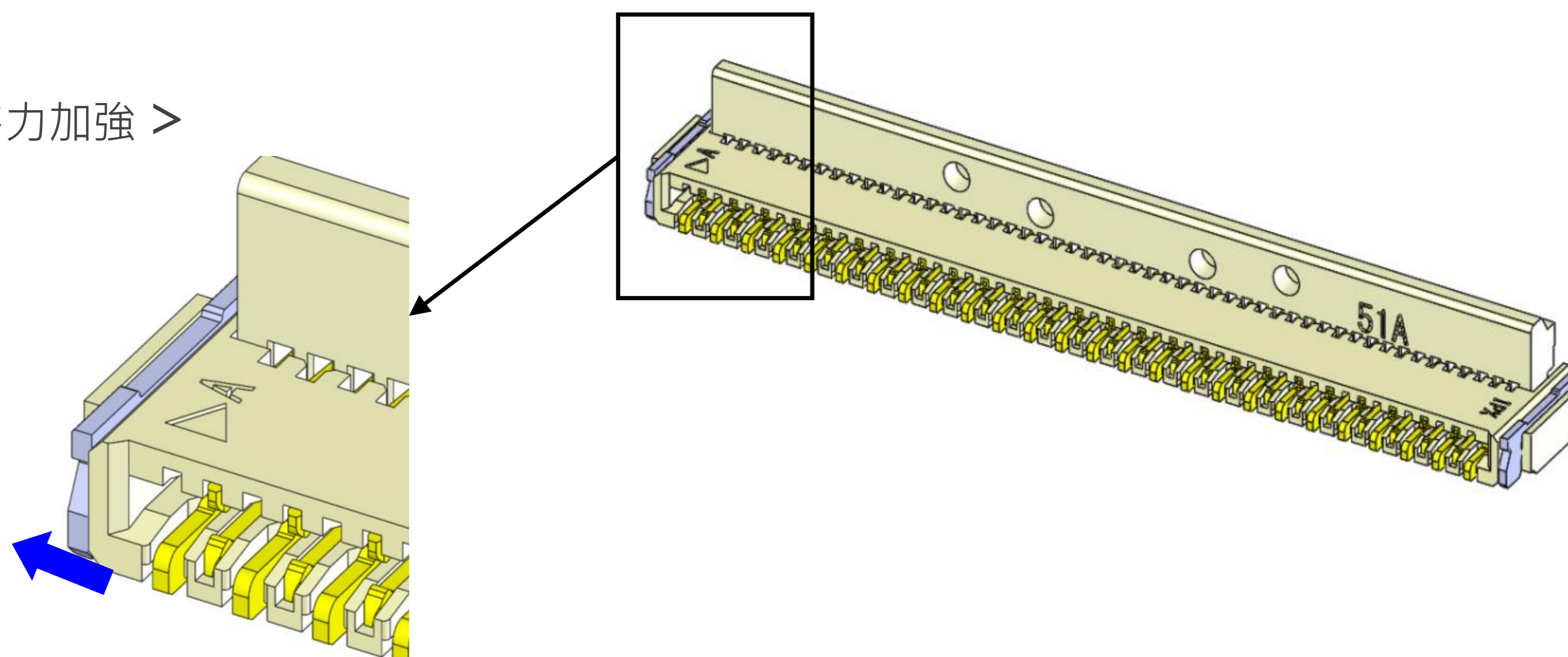
MINIFLEX® 3-BFN L-LK-HD	MINIFLEX® 3-BFN Long
20.710 N	15.535 N

FPC 鎖扣機制維持
FPC 高保持力



▶ Hold down 設計加強側壁力度

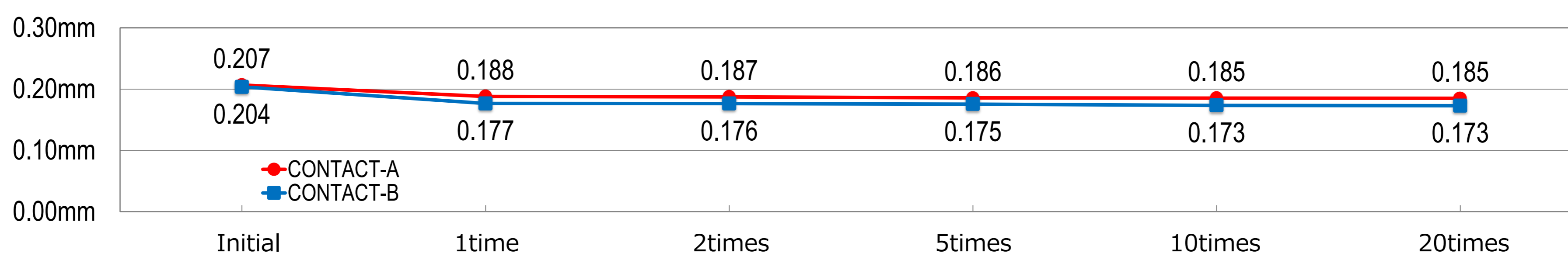
< 保持力加強 >



▶ 在沒有插入FPC的情況下關閉鋼琴蓋，連接器仍可使用

在 SMT 加工後，如果鋼琴蓋在沒有插入 FPC 的情況下意外閉合，連接器仍可使用

- FPC 未插入情況下閉合鋼琴蓋，其前後的接點間距離比較如圖(圖表為 MINIFLEX® 3-BFN L-HD 51 pins)



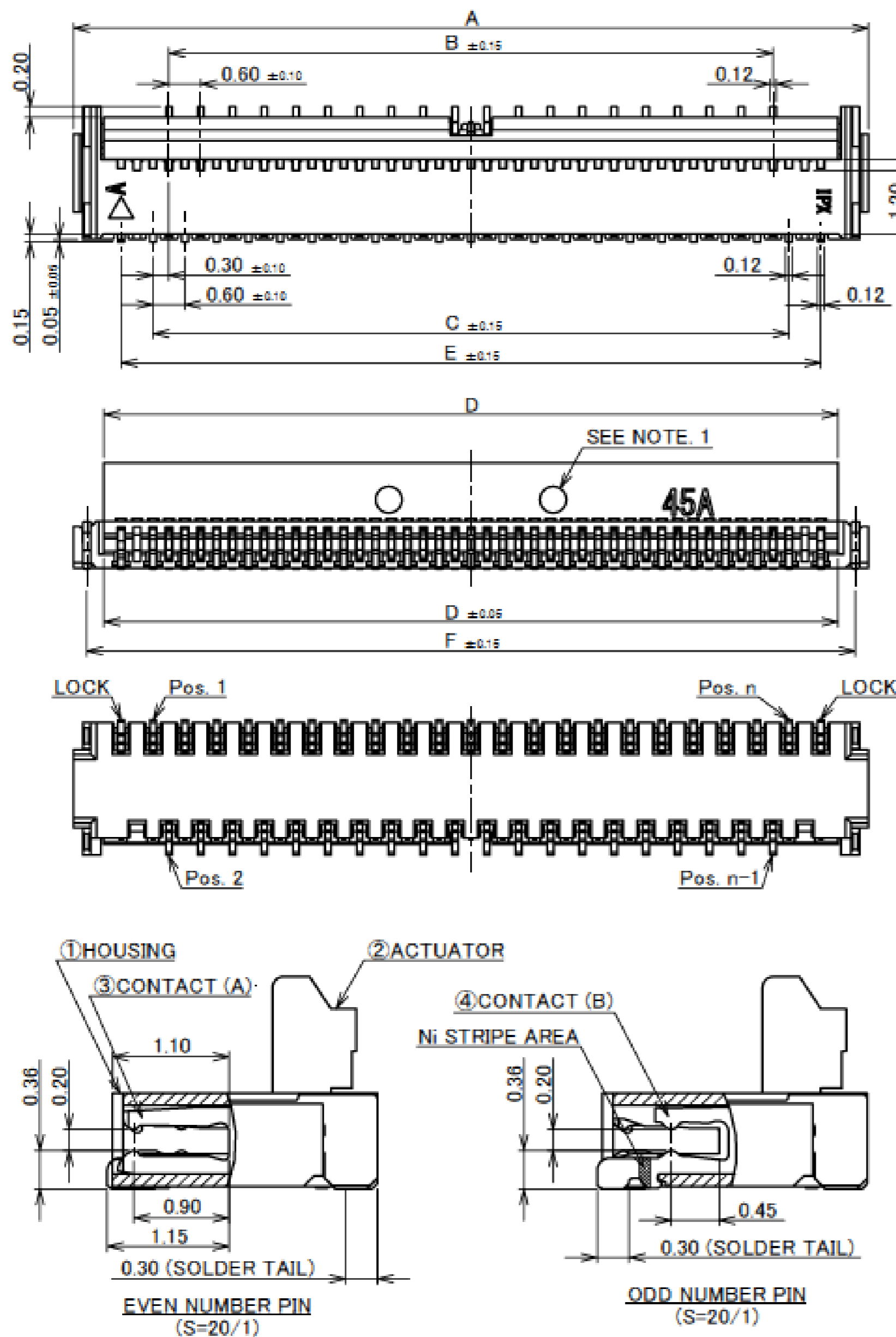
- FPC 插入力上升
- FPC 保持力無太大變化

Component Parts Details

Connector Assembly

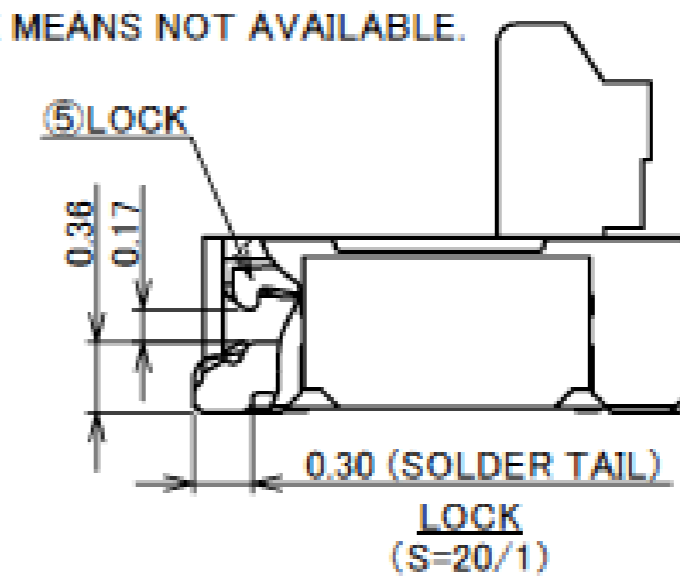
Recommended P/N 20655-0**E-01

ODD NUMBER POS.



PART NO.	Pos.	A	B	C	D	E	F
20655-011E-01	11P	6.00	2.40	3.00	4.85	4.20	5.50
◆20655-029E-01	29P	11.40	7.80	8.40	10.25	9.60	10.90
◆20655-031E-01	31P	12.00	8.40	9.00	10.85	10.20	11.50
◆20655-035E-01	35P	13.20	9.60	10.20	12.05	11.40	12.70
◆20655-037E-01	37P	13.80	10.20	10.80	12.65	12.00	13.30
◆20655-041E-01	41P	15.00	11.40	12.00	13.85	13.20	14.50
20655-045E-01	45P	16.20	12.60	13.20	15.05	14.40	15.70
◆20655-047E-01	47P	16.80	13.20	13.80	15.65	15.00	16.30
◆20655-051E-01	51P	18.00	14.40	15.00	16.85	16.20	17.50
◆20655-053E-01	53P	18.60	15.00	15.60	17.45	16.80	18.10
◆20655-057E-01	57P	19.80	16.20	16.80	18.65	18.00	19.30

◆ MARK MEANS NOT AVAILABLE.



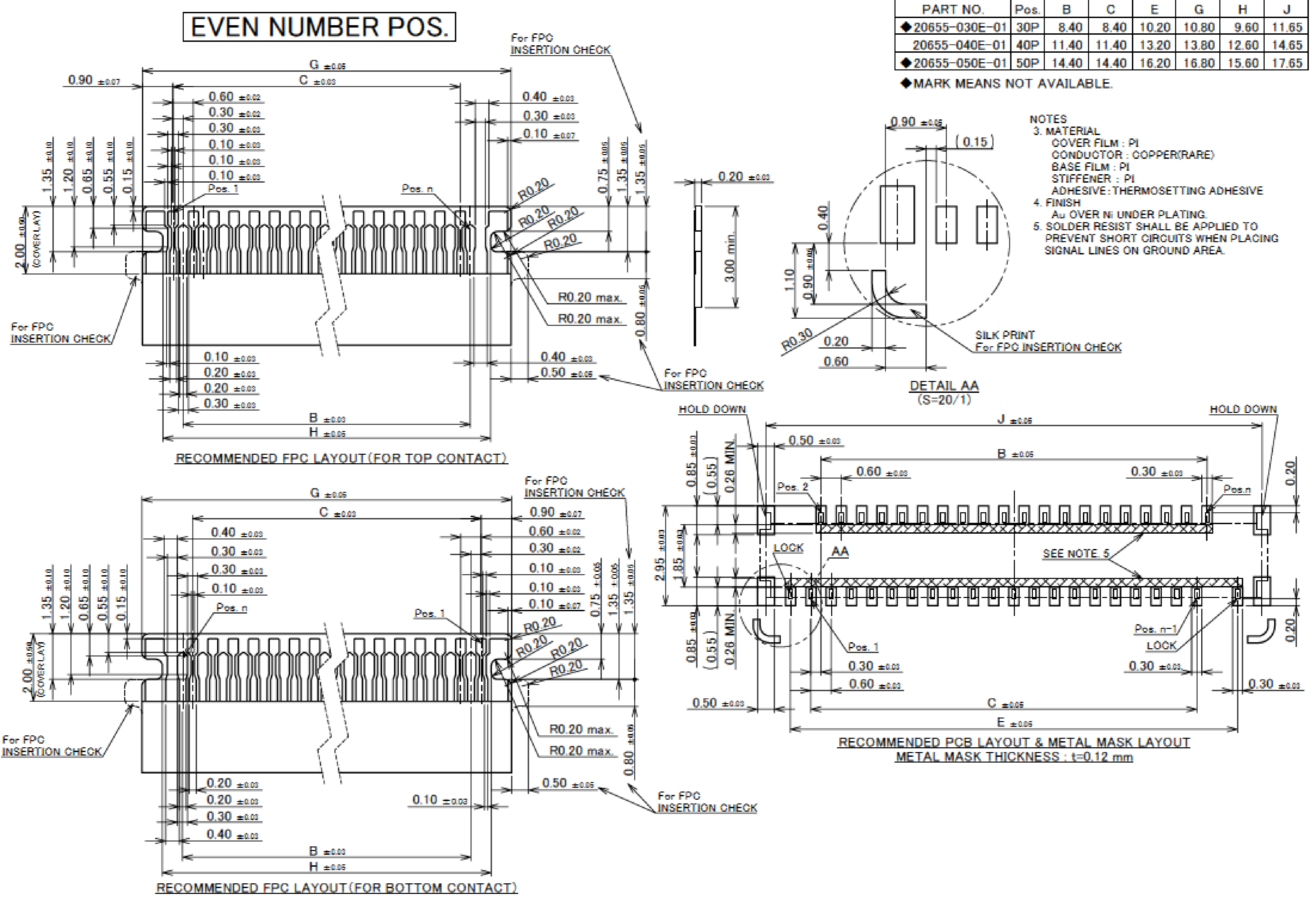
NOTES:
 1. THIS DENT SHAPE IS PURPOSED FOR GOOD INJECTION QUALITY. THIS DENT SHAPE WILL NOT AFFECT CONNECTR FUNCTION. DENT SHAPE SHOWN ON DRAWING IS JUST FOR REFERENCE. DENT SHAPE AND QUANTITY MIGHT CHABGE FROM DIFFERENT PIN COUNT AND DIFFERENT TOOLING.
 2. CONTACT POINT: TOP AND BOTTOM CONTACT

CAUTION VISIT OUR WEBSITE FOR LATEST VERSIONS OF INSTRUCTION MANUAL NO. HIM-12007 TO HANDLE THE PRODUCT PROPERLY AND SAFELY.

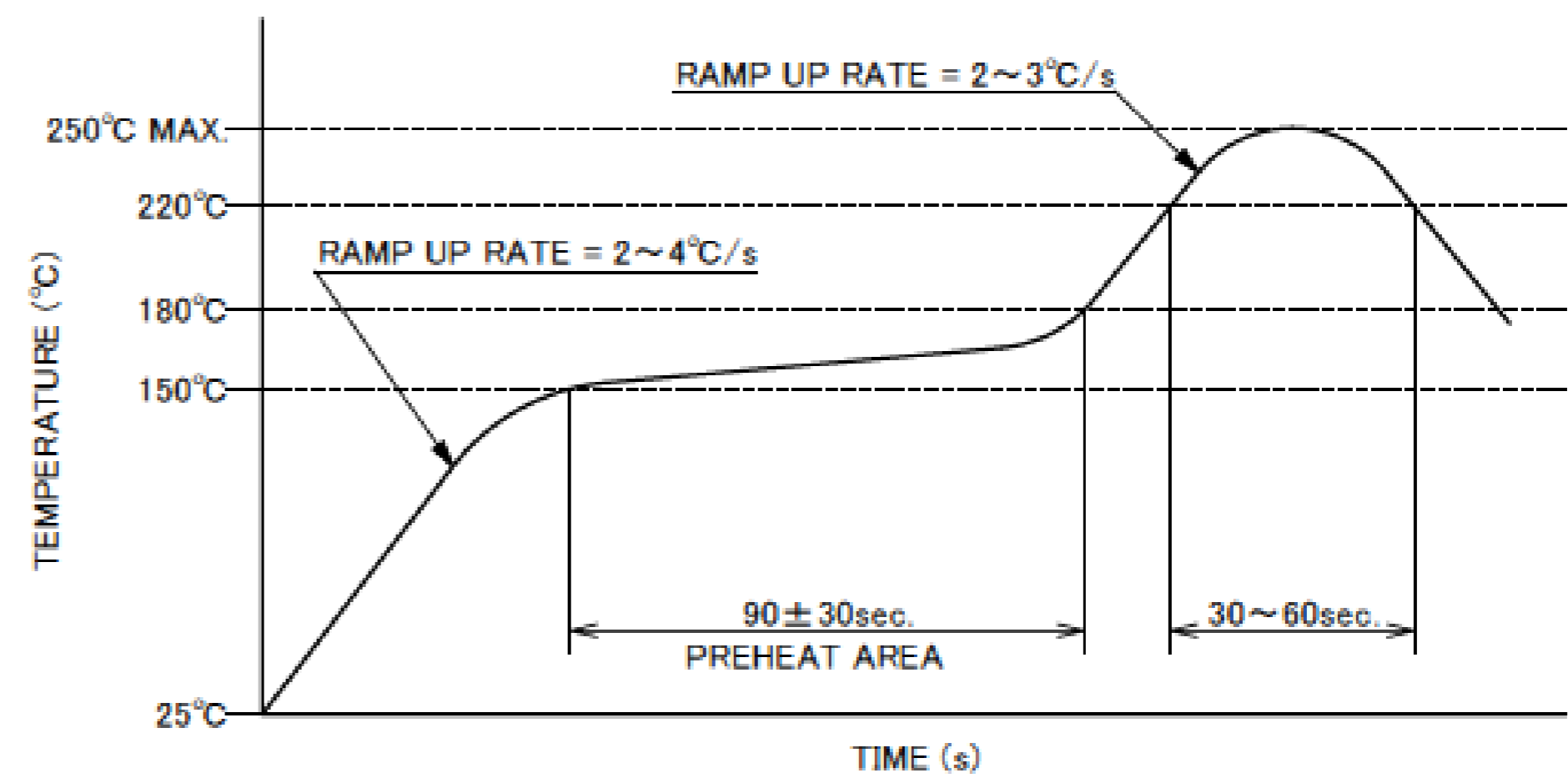
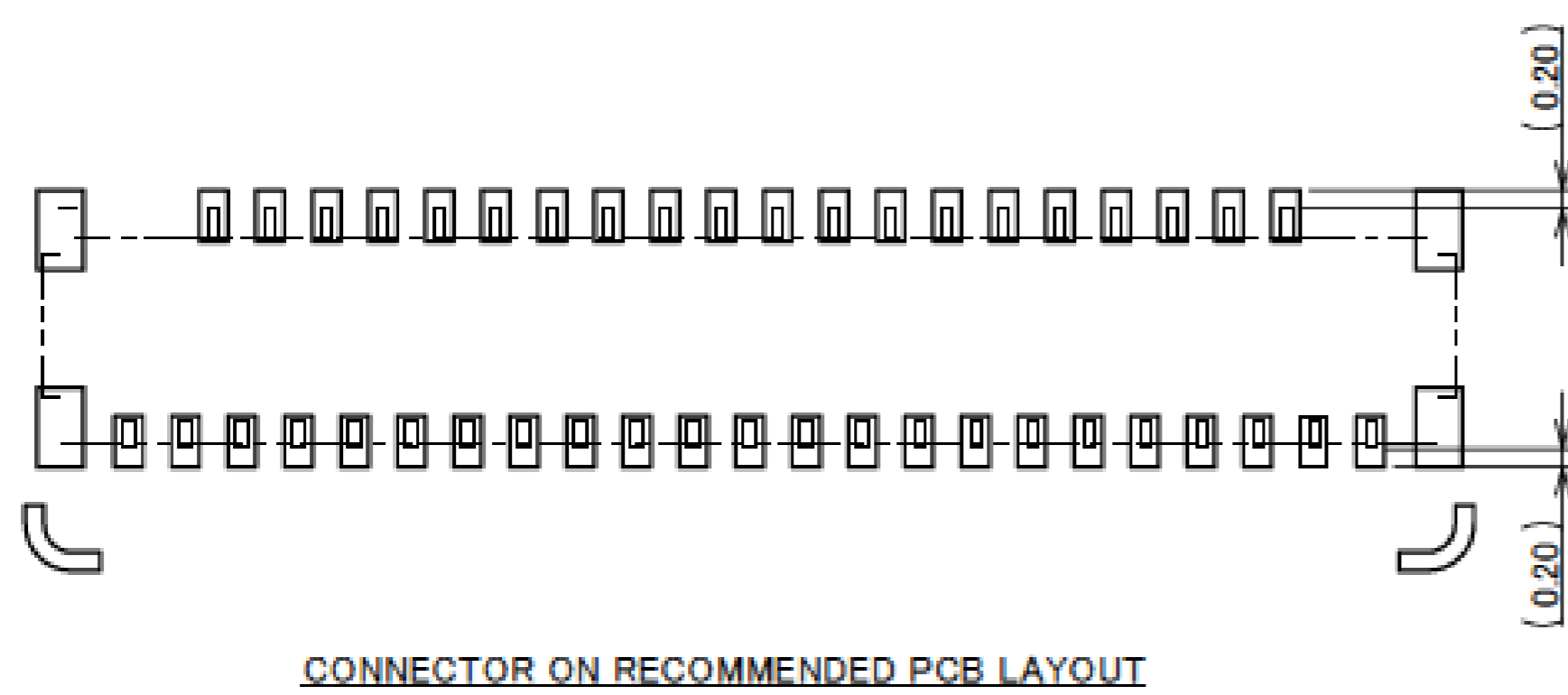
TABLE 1

PART NO.	FINISH		
20655-0**E-01	CONTACT AREA : Au 0.10 μm MIN. OVER Ni 1.00 μm MIN. SOLDERING AREA : Au 0.03 μm MIN. OVER Ni 1.00 μm MIN.		
6	HOLD DOWN	PHOSPHOR BRONZE Sn 2~6 μm OVER Ni 1.00 μm MIN.	
5	LOCK	PHOSPHOR BRONZE SOLDERLING AREA: Au 0.03 μm MIN. OVER Ni 1.00 μm MIN.	
4	CONTACT (B)	PHOSPHOR BRONZE SEE TABLE 1, WITH Ni STRIPE	
3	CONTACT (A)	PHOSPHOR BRONZE SEE TABLE 1	
2	ACTUATOR	LCP UL94V-0, BEIGE	
1	HOUSNIG	LCP UL94V-0, BEIGE	
NO.	DISCRIPITION	MATERIAL	FINISH, REMARKS

Connector Assembly



Rev.9



SENJU METAL INDUSTRY CO., LTD. : M705-SHF(Sn96.5 Ag3.0 Cu0.5)

Connector Assembly

ITEMS	SPECIFICATION
RATING VOLTAGE	50V AC/DC (PER CONTACT)
RATING AMPERAGE	0.3A DC (PER CONTACT)
OPERATING TEMPERATURE	233~358K(-40°C~85°C)
OPERATING HUMIDITY	20~80%RH (NON-CONDENSING)
CONTACT RESISTANCE	INITIAL : 60mohm MAX. / AFTER TEST : \triangleleft 40mohm MAX.
INSULATION RESISTANCE	100Mohm MIN.
DIELECTRIC WITHSTANDING VOLTAGE	AC250V 1min
DURABILITY	20 CYCLES
ACTUATOR LOCKING FORCE (INITIAL / 20TH CYCLES)	INITIAL / 20 CYCLES 0.21N (21gf) \times (n + 2) MAX.
ACTUATOR UNLOCKING FORCE (INITIAL / 20TH CYCLES)	INITIAL / 20 CYCLES 0.014N (1.4gf) \times (n + 2) MIN.
FPC RETENTION FORCE (INITIAL / AFTER TEST)	INITIAL: 0.13N (13gf) \times n + 1.0N MIN. / AFTER TEST: 0.10N (10gf) \times n + 1.0N MIN.
COPLANARITY	0.10 MAX.
PRODUCT SPECIFICATION	PRS-2077
TEST REPORT	TR-15027
PACKING STANDARD	PST-15018
INSTRUCTION MANUAL	HIM-12007
APPEARANCE CRITERIA No.	QLS-A***

※ "n" IS THE NUMBER OF PIN

Rev.9

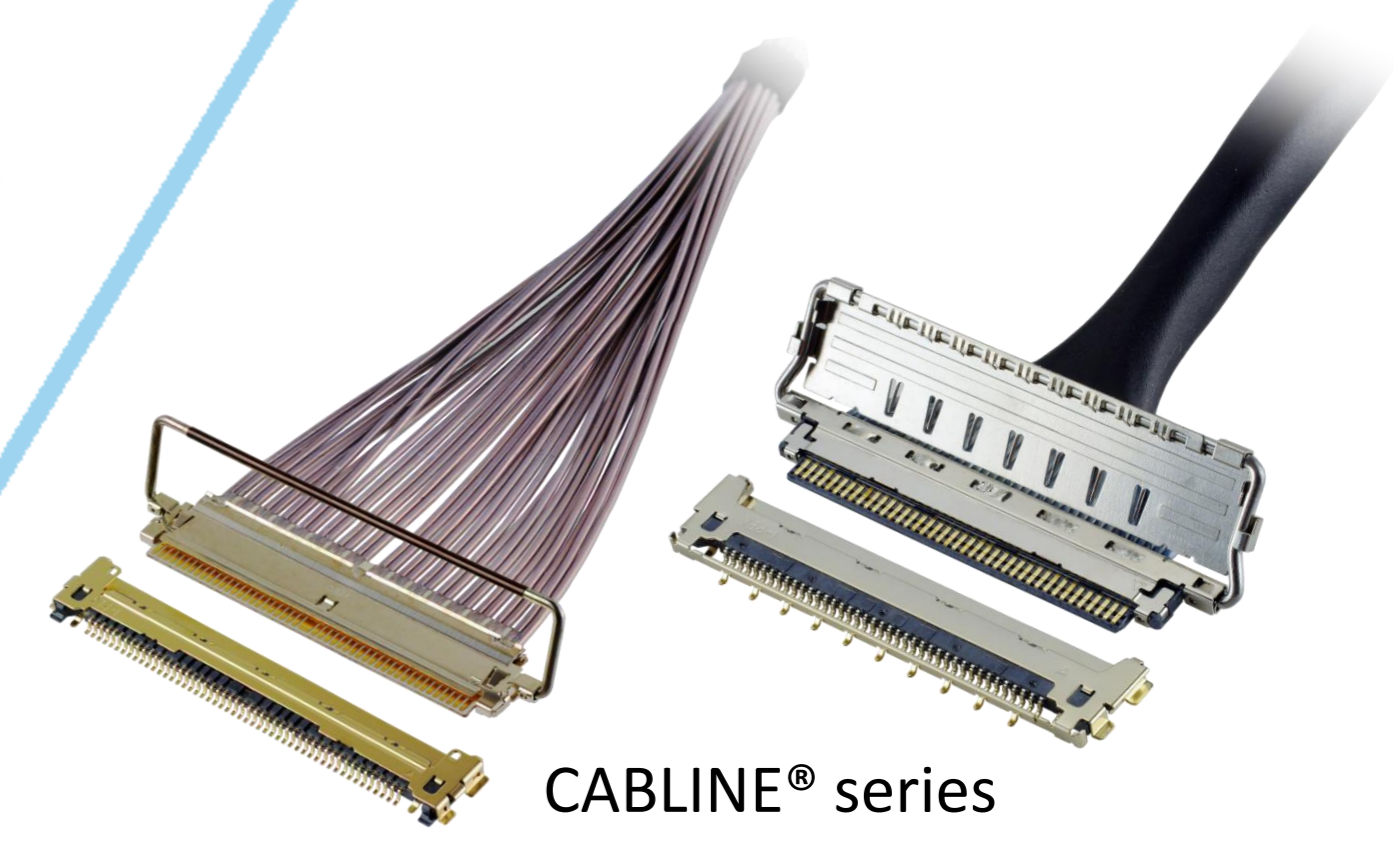
Custom Connectors Available

 RF Connector

MHF® series



CABLINÉ® series
Micro-coaxial/Twinax/
Discrete Wire Connector



Optical Module

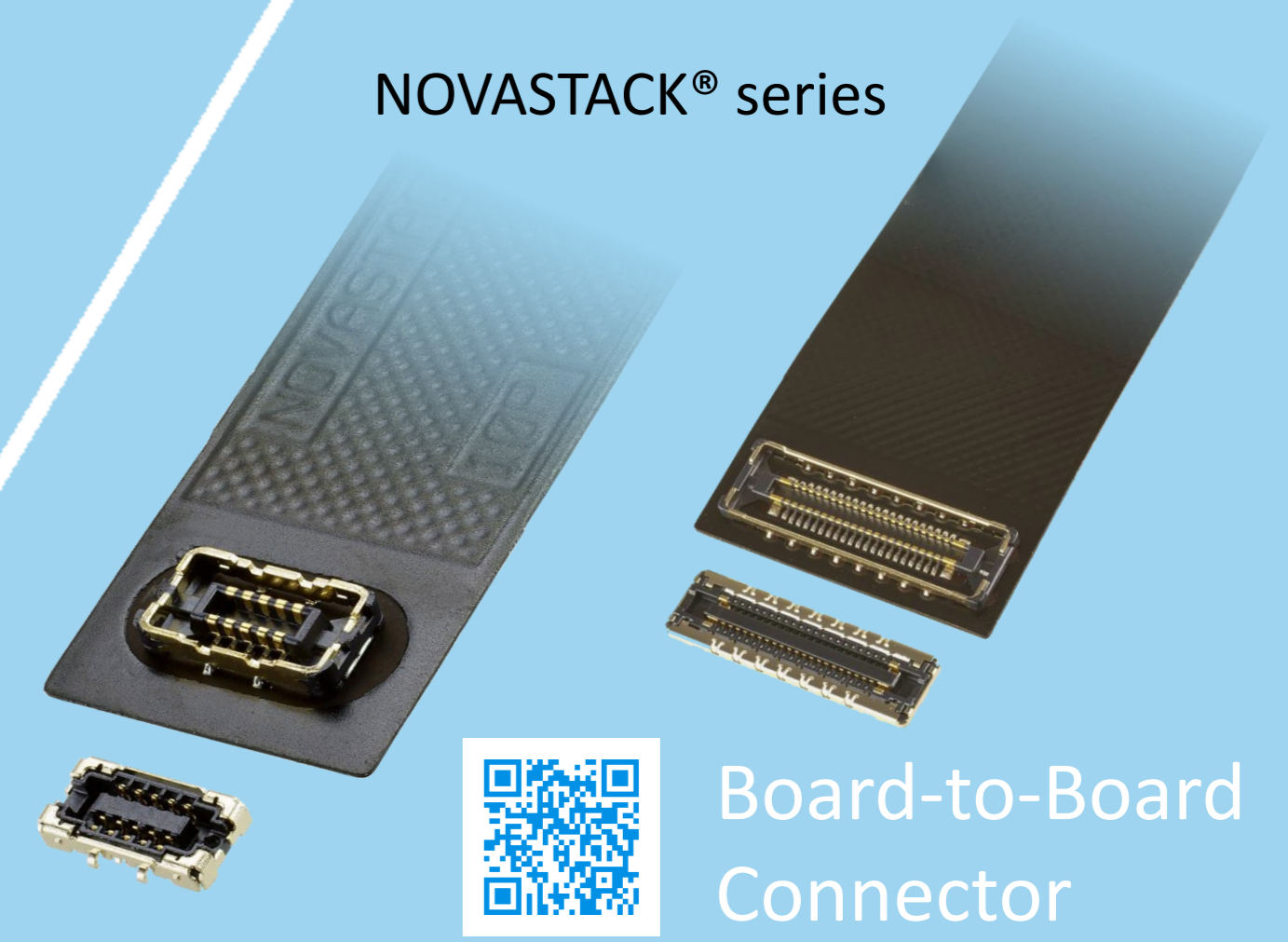
LIGHTPASS® series



NOVASTACK® series



Board-to-Board Connector



Power Connector/
Terminal

AP series

ISH® series



MINIFLEX® series

EVAFLEX® series



FPC FFC Connector



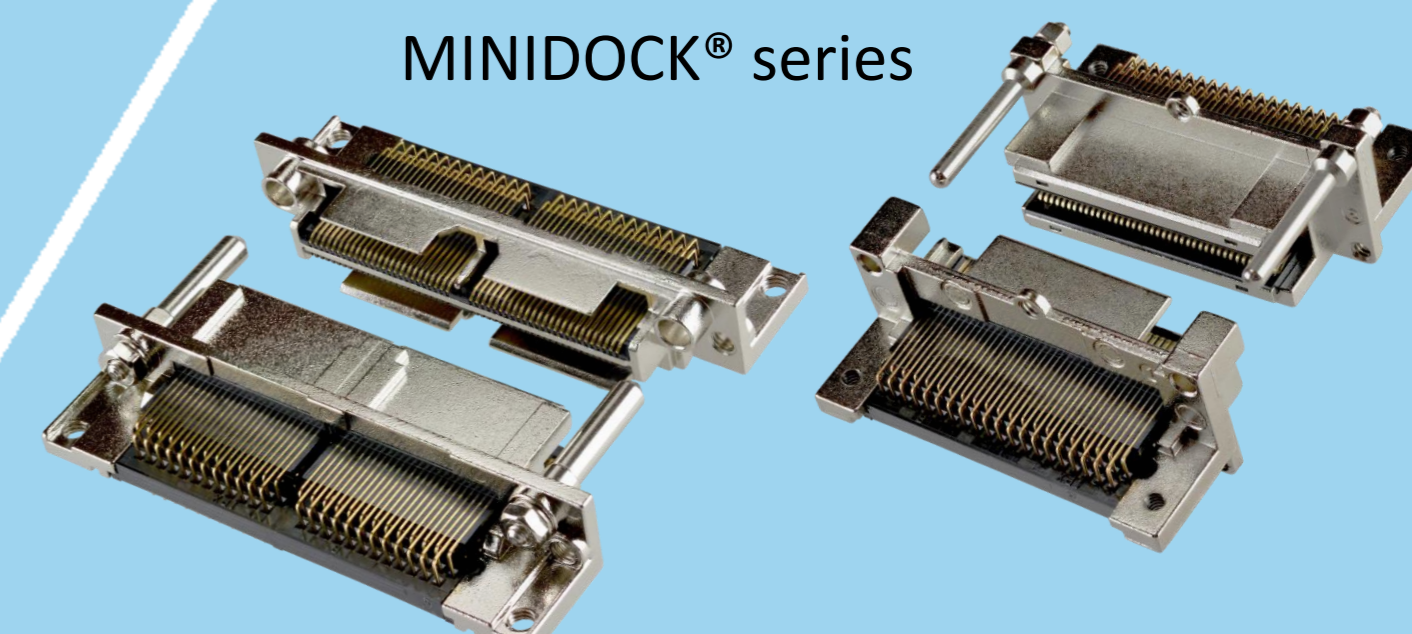
Inquiry



MINIDOCK® series



I/O Connector



I-PEX, MHF, CABLINE, LIGHTPASS, NOVASTACK, ISH, IARPB, MINIFLEX, EVAFLEX, MINIDOCKS and ZenShield are registered trademarks of I-PEX Inc. Please note that the contents in the catalog might be changed without prior notification. I-PEX Inc. assumes no responsibility for any inaccuracies or obligation to update information on these documents. Please be sure to read and understand the latest "Precautions for Use" and "Instruction Manual" before you use our products. We shall not be responsible for any defects, damages or troubles in case you use our products without following the precautions for use. Please feel free to contact our sales representatives when you use our products for any applications that require very high reliability and safety, or that relate to human life (ex. nuclear power control, aerospace, transportation, medical equipment, safety equipment etc.).

Contact your sales representative or more detailed information.

www.i-pex.com



I-PEX

© I-PEX Inc. 2024
All rights reserved